



US00D717258S

(12) **United States Design Patent**  
**Garra et al.**

(10) **Patent No.:** **US D717,258 S**

(45) **Date of Patent:** **\*\* Nov. 11, 2014**

(54) **PORTABLE RADIO**

(71) Applicant: **Motorola Solutions, Inc.**, Schaumburg, IL (US)

(72) Inventors: **LanTing L. Garra**, Sunrise, FL (US);  
**Frank Garcia**, Miami, FL (US);  
**Gregory T. Hoo**, Weston, FL (US)

(73) Assignee: **Motorola Solutions, Inc.**

(\*\*) Term: **14 Years**

(21) Appl. No.: **29/444,958**

(22) Filed: **Feb. 6, 2013**

(51) **LOC (10) Cl.** ..... **14-03**

(52) **U.S. Cl.**  
USPC ..... **D14/137**

(58) **Field of Classification Search**  
CPC ..... H04B 1/00; H04B 1/38; H04B 1/3805;  
H04B 1/3816; H04B 1/3822; H04B 1/3827;  
H04B 1/3833  
USPC ..... D14/137, 139, 138 R, 138 C, 138 AD,  
D14/138 AC, 138 G, 341-347; 361/814;  
455/90.1-90.3  
See application file for complete search history.

(56) **References Cited**

**U.S. PATENT DOCUMENTS**

D384,345 S *	9/1997	Lindeman et al.	.....	D14/137
5,752,205 A *	5/1998	Dzung et al.	.....	455/575.1
D477,816 S *	7/2003	Yahaya et al.	.....	D14/137
D576,124 S *	9/2008	Nishizawa	.....	D14/137
D576,125 S *	9/2008	Nishizawa	.....	D14/137
D576,980 S *	9/2008	Onoue	.....	D14/137

D577,700 S *	9/2008	Akita	.....	D14/137
D598,876 S *	8/2009	Leng et al.	.....	D14/137
D600,225 S *	9/2009	Woon	.....	D14/137
D616,845 S *	6/2010	Xia et al.	.....	D14/137
D653,225 S *	1/2012	Yong et al.	.....	D14/137
D653,637 S *	2/2012	Ismail et al.	.....	D14/137
D670,258 S *	11/2012	Yamamoto et al.	.....	D14/137

**OTHER PUBLICATIONS**

Tekk X-1000, [online], [retrieved on Mar. 20, 2009]. Retrieved from Internet, <URL: <http://www.fastradios.com>>.\*  
Motorola CP185, [online], [retrieved on Mar. 20, 2009]. Retrieved from Internet, <URL: <http://www.talktwoway.com>>.\*  
Motorola CP110, [online], [retrieved on Mar. 20, 2009]. Retrieved from Internet, <URL: <http://www.talktwoway.com>>.\*

\* cited by examiner

*Primary Examiner* — Bridget L Eland

(74) *Attorney, Agent, or Firm* — Barbara R. Doutre

(57) **CLAIM**

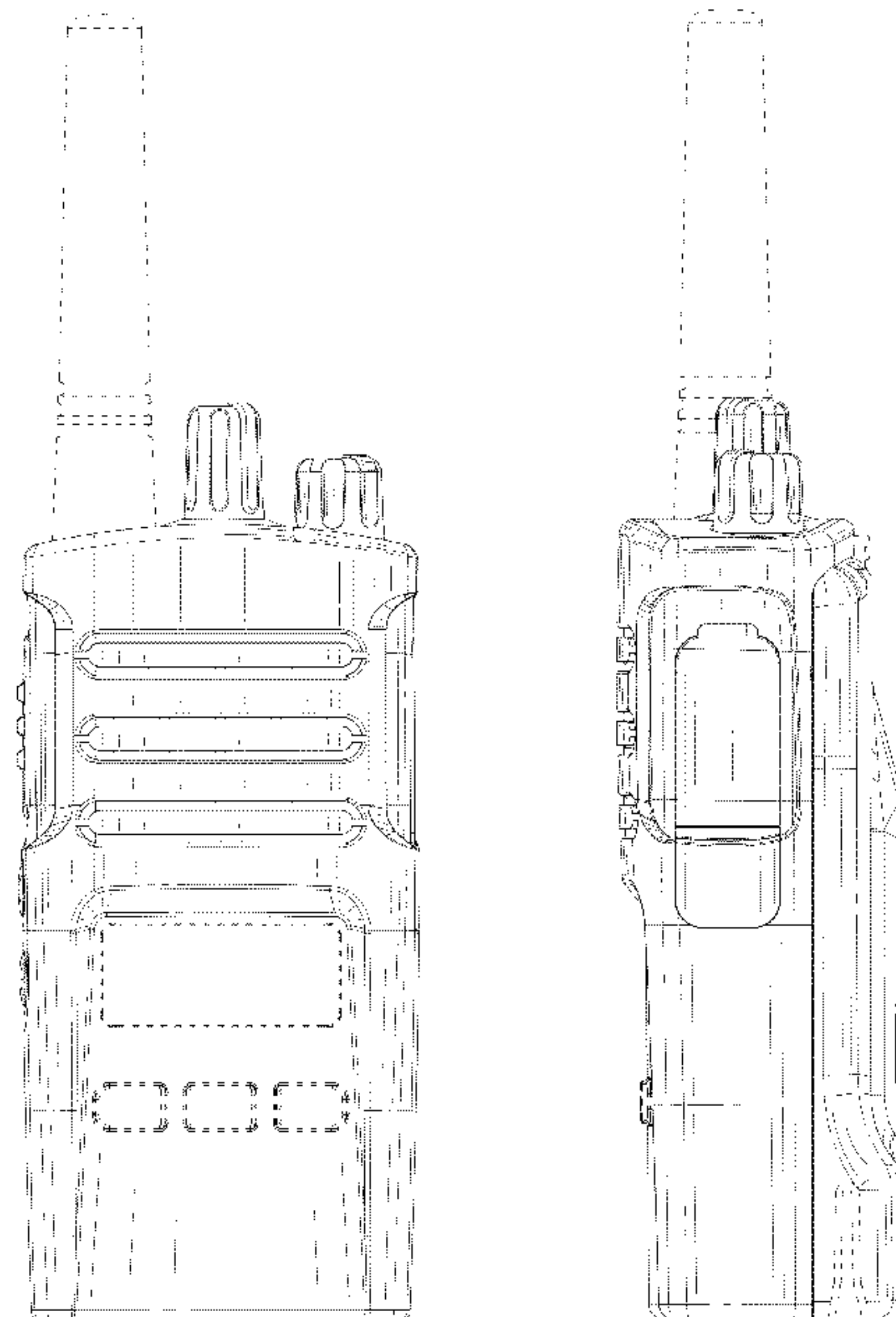
The ornamental design for a portable radio, as shown and described.

**DESCRIPTION**

FIG. 1 is a front perspective view of an ornamental design for a portable radio;  
FIG. 2 is a rear perspective view thereof;  
FIG. 3 is a front view thereof;  
FIG. 4 is a rear view thereof;  
FIG. 5 is a first side view thereof;  
FIG. 6 is a second side view thereof;  
FIG. 7 is a top view thereof; and,  
FIG. 8 is a bottom view thereof.

The broken lines shown in FIGS. 1-8 are included for the purpose of illustrating environmental elements only and form no part of the claimed design.

**1 Claim, 6 Drawing Sheets**



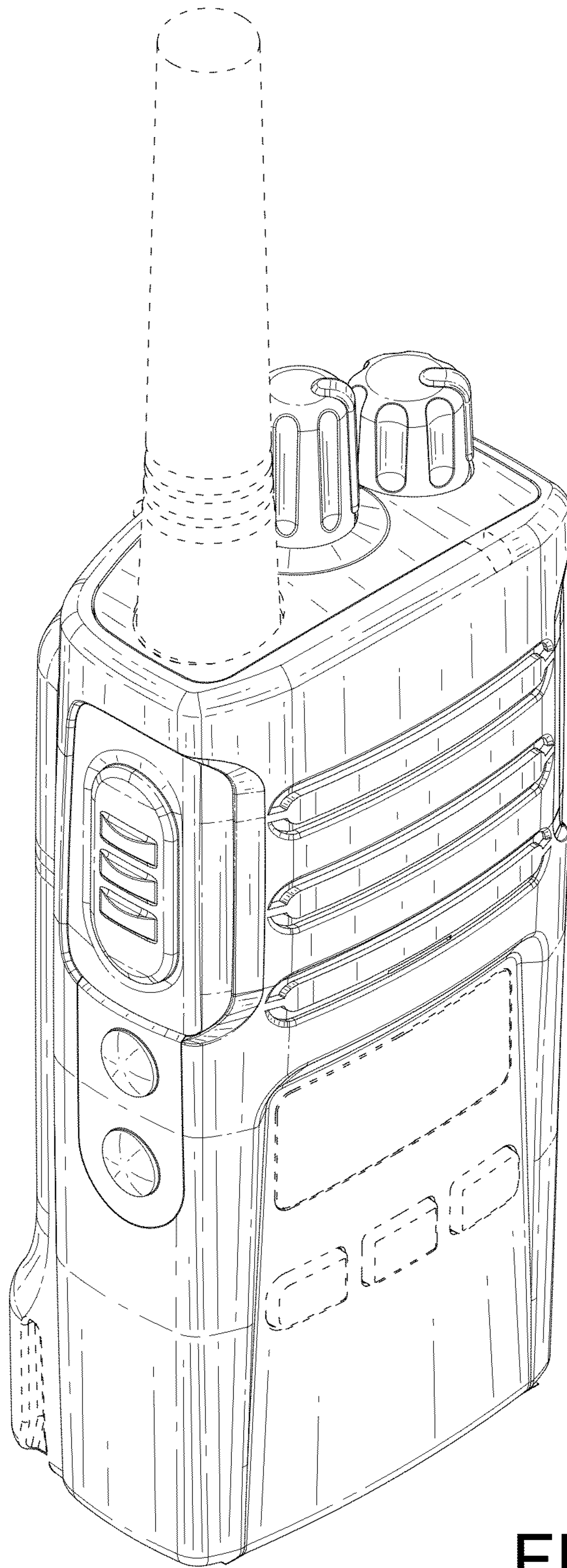


FIG. 1

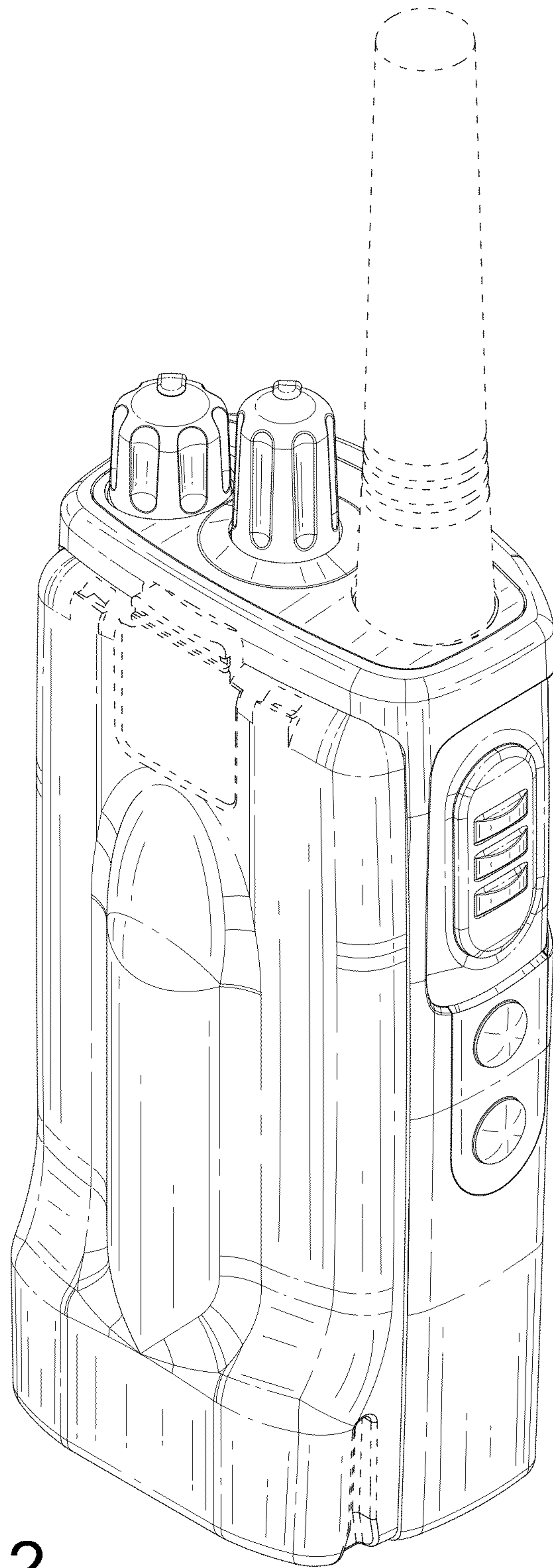


FIG. 2



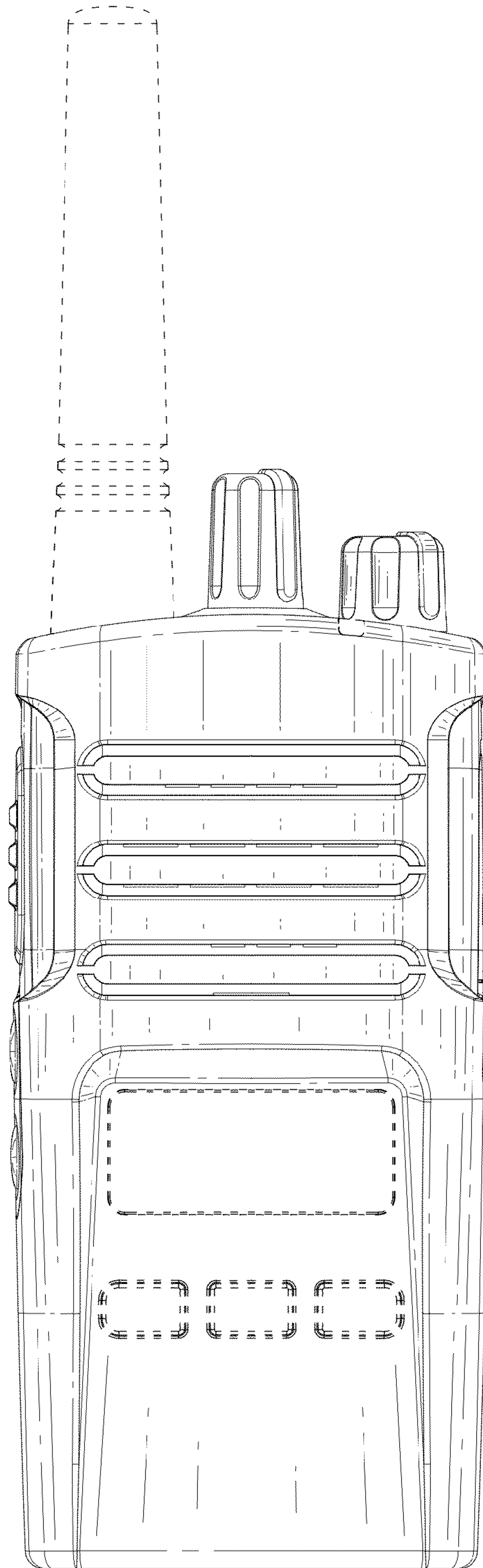


FIG. 3

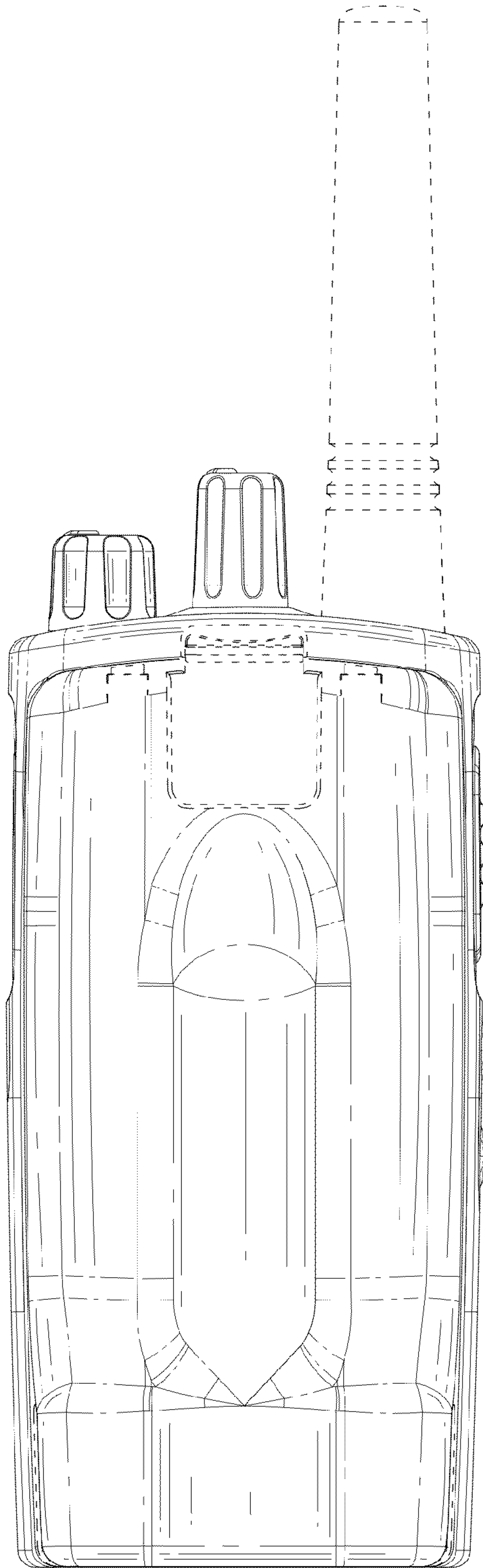


FIG. 4

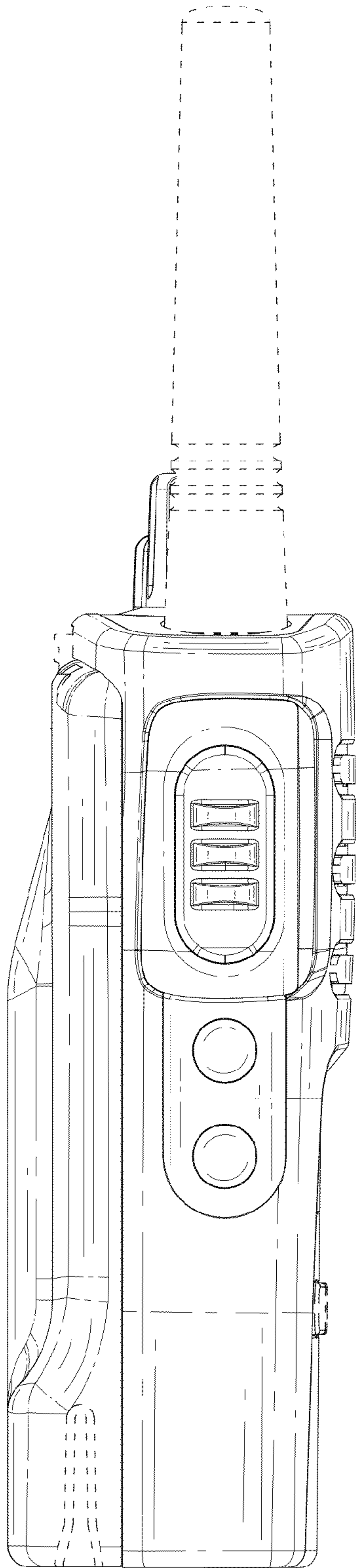


FIG. 5

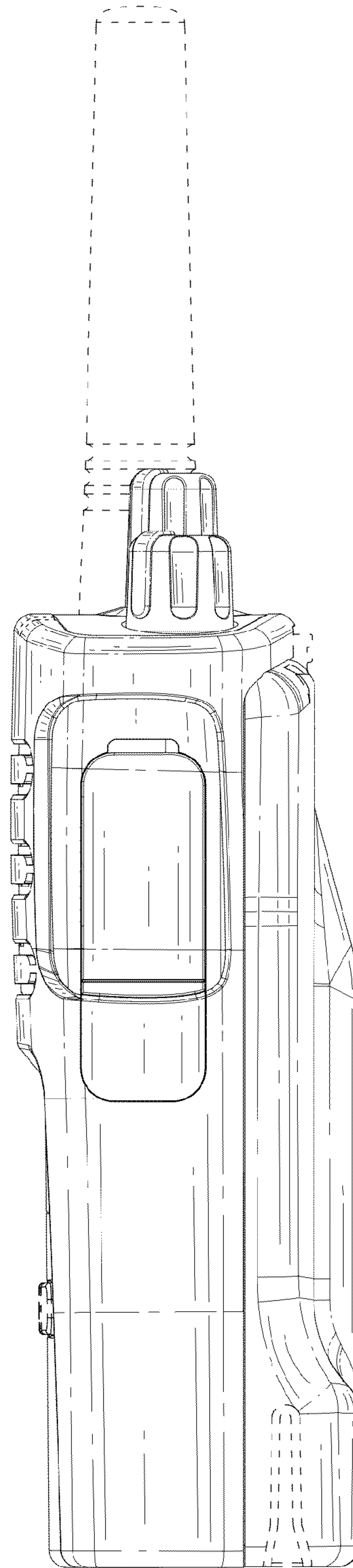


FIG. 6

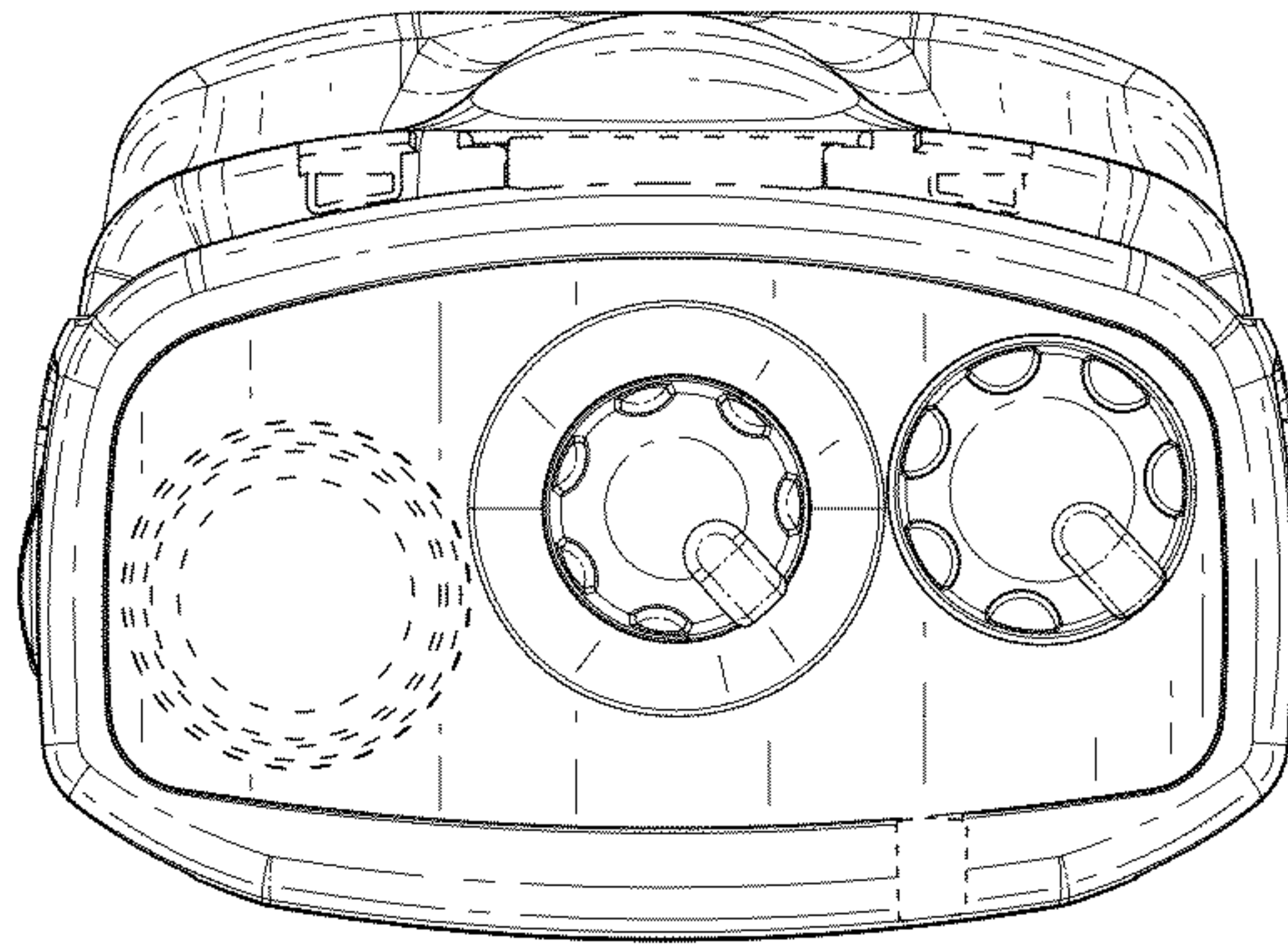


FIG. 7

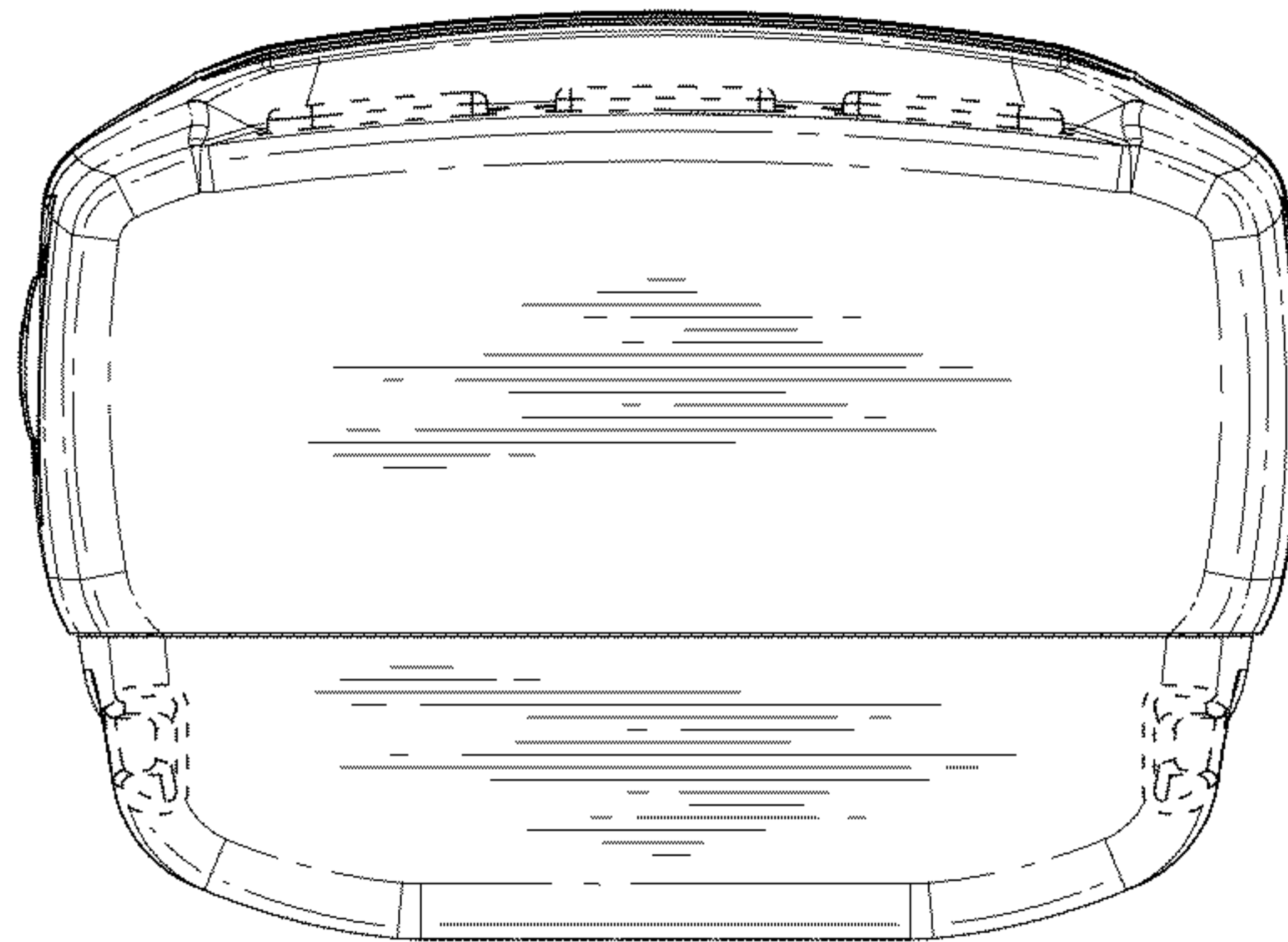


FIG. 8