



US00D717257S

(12) **United States Design Patent**
Kim et al.

(10) **Patent No.:** **US D717,257 S**

(45) **Date of Patent:** **** Nov. 11, 2014**

(54) **TELEVISION RECEIVER**

(56) **References Cited**

(71) Applicant: **Samsung Electronics Co., Ltd.**,
Suwon-si (KR)

U.S. PATENT DOCUMENTS

(72) Inventors: **Eui-Seok Kim**, Sungnam-Si (KR);
Su-An Choi, Seoul (KR)

D494,165 S *	8/2004	Yokota	D14/341
D527,358 S *	8/2006	Voege	D14/126
D547,740 S *	7/2007	Otani	D14/126
D598,444 S *	8/2009	Xie et al.	D14/336
D611,440 S *	3/2010	Suzuki et al.	D14/126
D649,950 S *	12/2011	Chiu	D14/126

(73) Assignee: **Samsung Electronics Co., Ltd.**,
Suwon-si (KR)

* cited by examiner

(**) Term: **14 Years**

Primary Examiner — Raphael Barkai
(74) *Attorney, Agent, or Firm* — NSIP Law

(21) Appl. No.: **29/445,997**

(57) **CLAIM**

The ornamental design for a television receiver, as shown and described.

(22) Filed: **Feb. 19, 2013**

DESCRIPTION

(30) **Foreign Application Priority Data**

Dec. 12, 2012 (KR) 30-2012-0060015

(51) **LOC (10) Cl.** **14-03**

(52) **U.S. Cl.**
USPC **D14/126**

(58) **Field of Classification Search**
USPC D14/125-134, 239, 371, 136, 374-377,
D14/440, 450, 448, 336, 342, 159; 312/7.2;
348/836, 838, 180, 184, 325, 739;
248/917-924, 465; 345/104, 133, 156,
345/168, 87, 173; D21/329, 515, 577, 622,
D21/333, 433, 448, 452, 450, 331, 505;
D10/15, 26; 446/484, 175, 356;
D6/477, 479, 300

FIG. 1 is a front perspective view of a television receiver;
FIG. 2 is a front view of the television receiver of FIG. 1;
FIG. 3 is a rear view of the television receiver of FIG. 1;
FIG. 4 is a left-side view of the television receiver of FIG. 1;
FIG. 5 is a right-side view of the television receiver of FIG. 1;
FIG. 6 is a top plan view of the television receiver of FIG. 1;
FIG. 7 is a bottom plan view of the television receiver of FIG. 1;
FIG. 8 is a rear perspective view of the television receiver of FIG. 1;
FIG. 9 is a front view of the television receiver of FIG. 1, showing the television receiver can be moved upward; and, FIG. 10 is a second front view of the television receiver of FIG. 1, showing the television receiver can be moved downward.
Features shown in broken lines in FIGS. 1, 2, 3, 4, 5, 6, 7, 8, 9, and 10, form no part of the claimed design. The pairs of closely spaced jagged dash dot dot dash lines represent an unclaimed boundary.

See application file for complete search history.

1 Claim, 9 Drawing Sheets

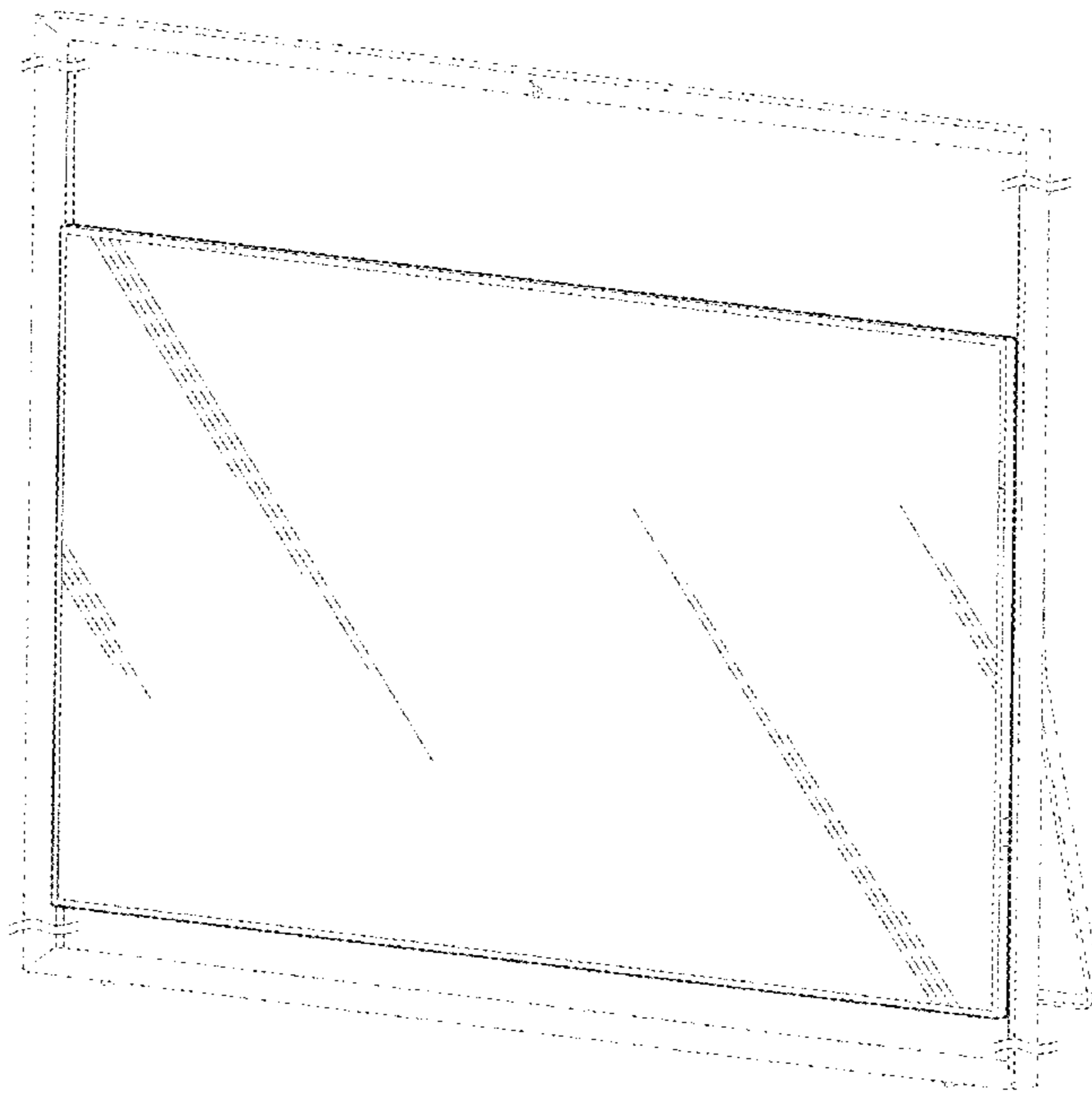


FIG. 1

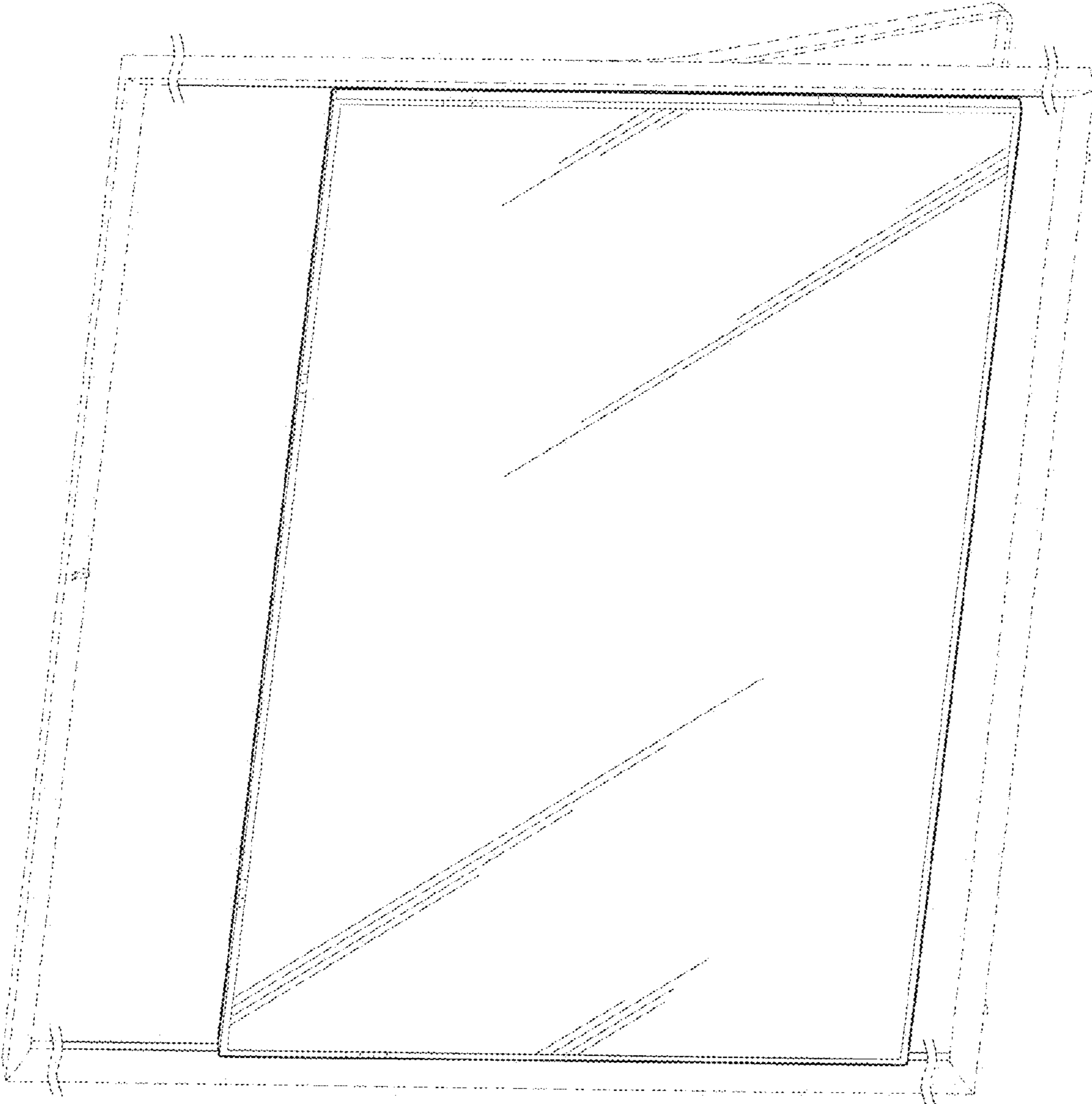


FIG. 2

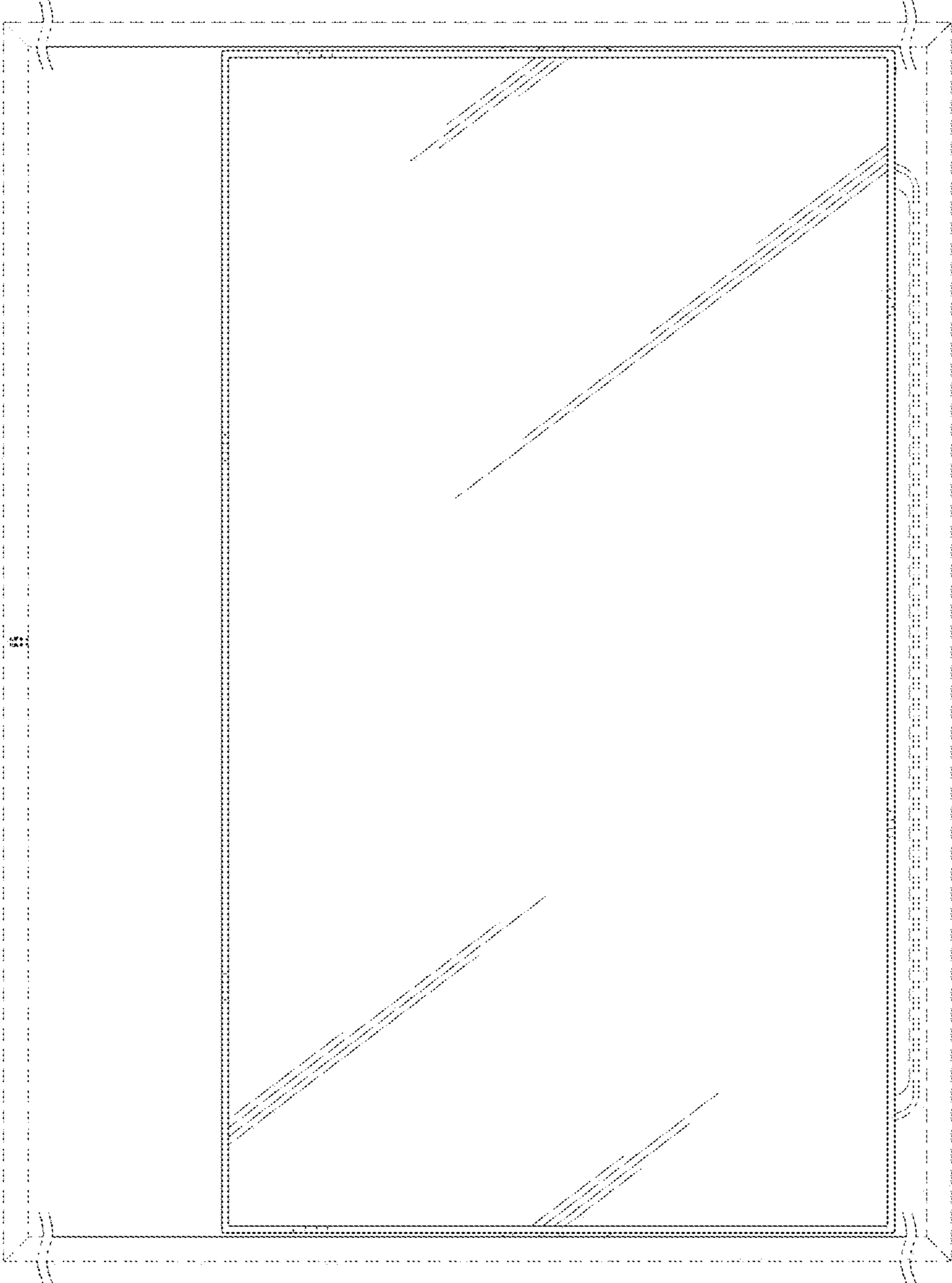


FIG. 3

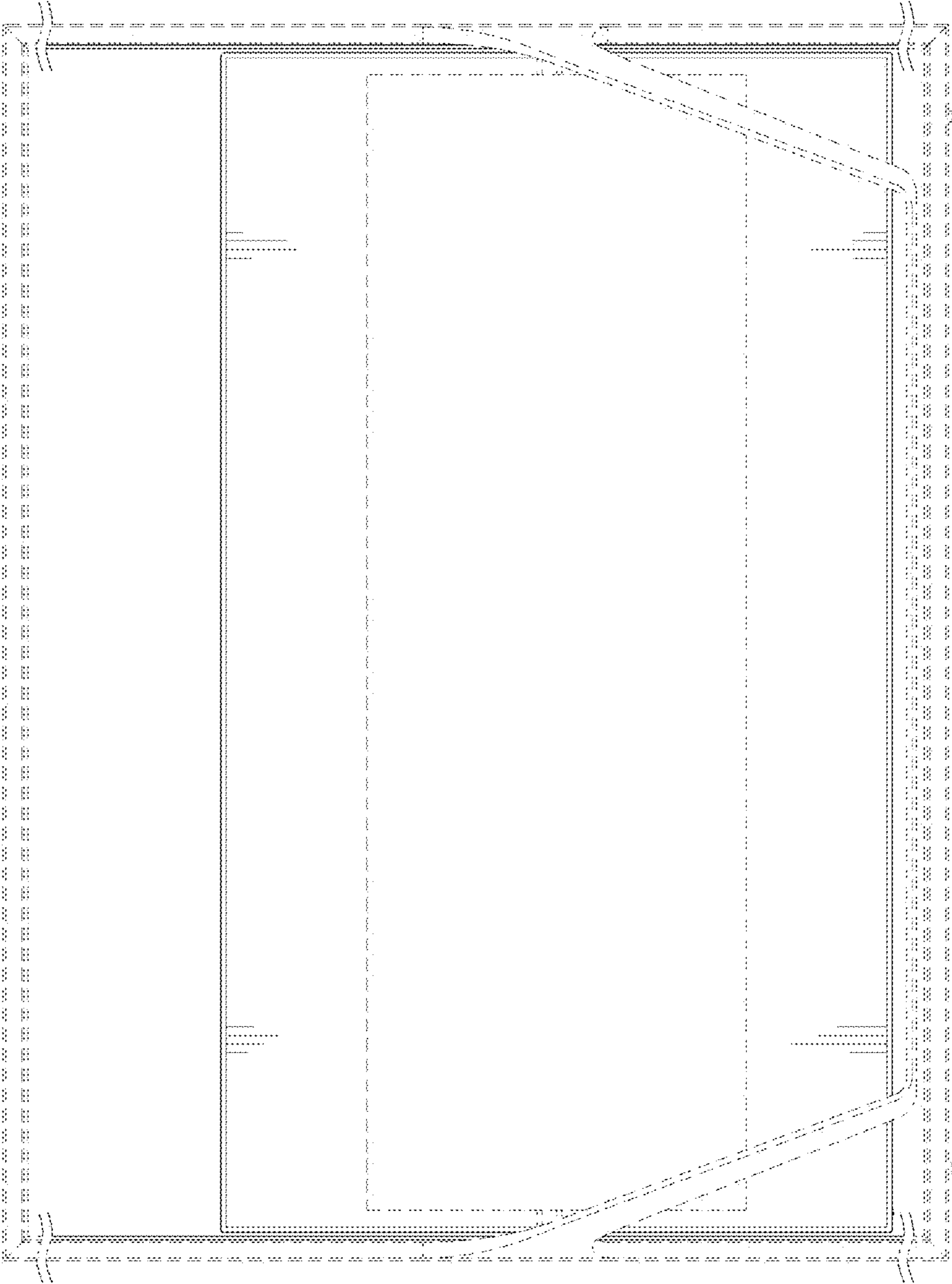


FIG. 5

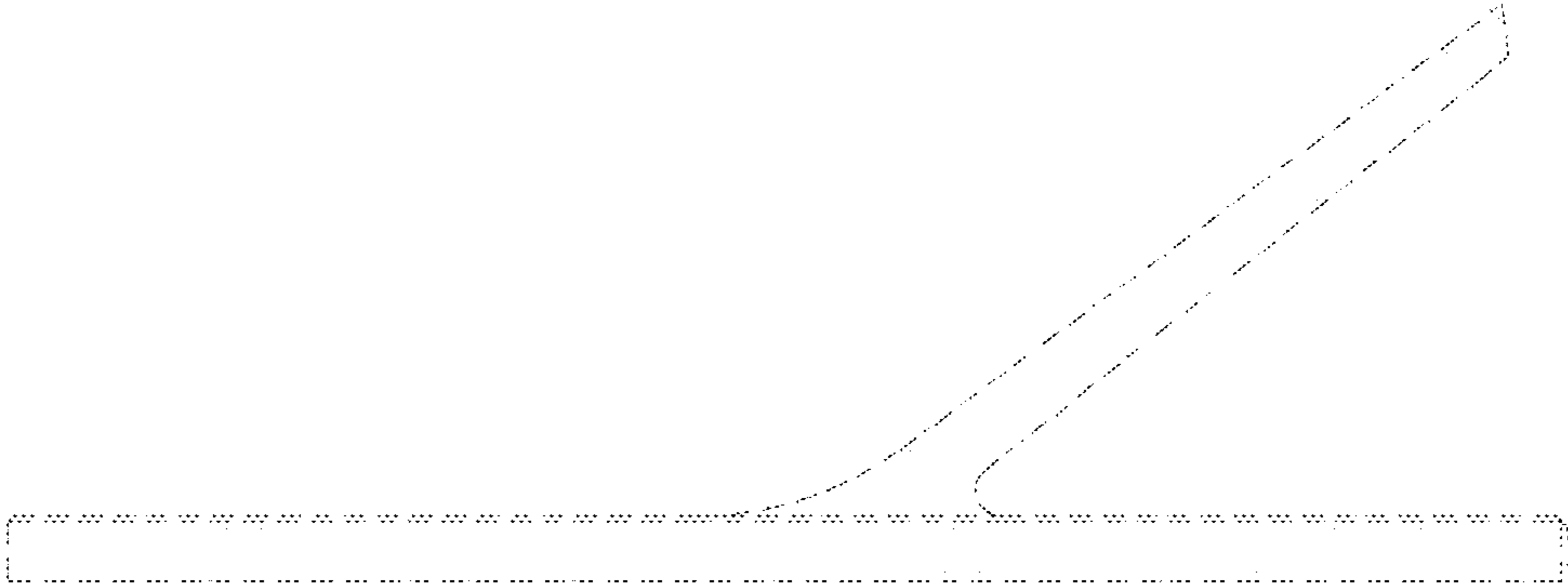


FIG. 4

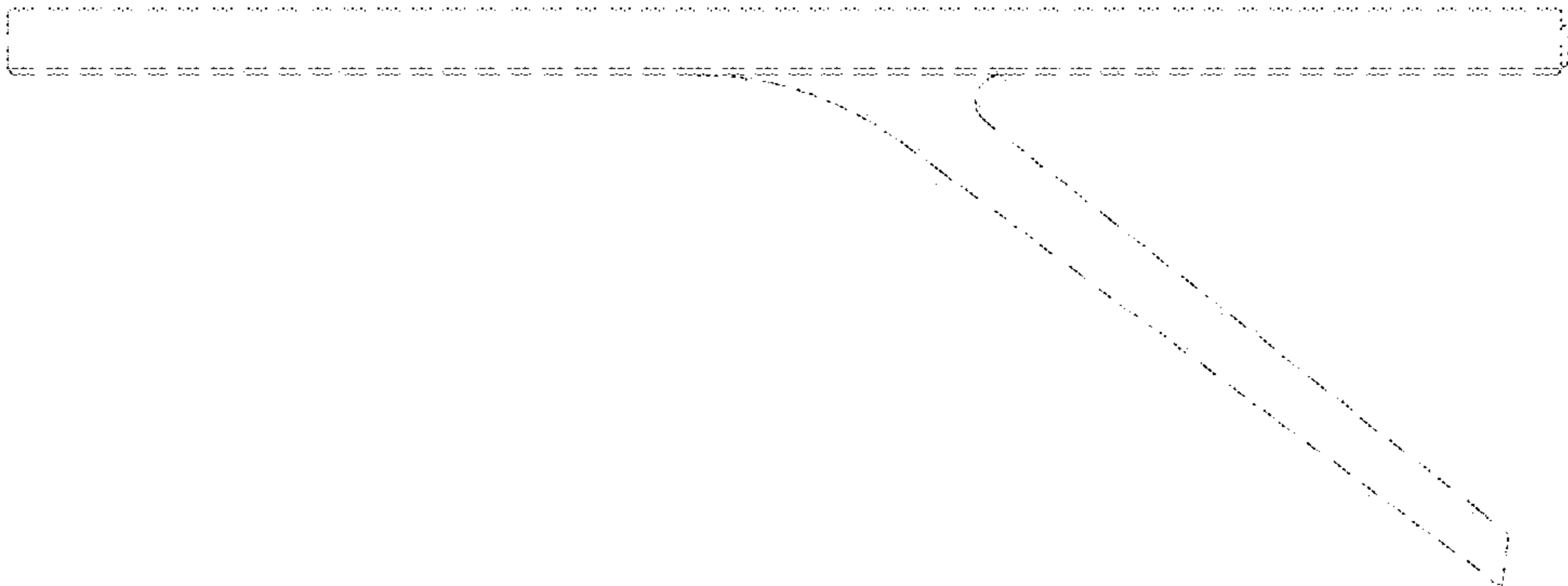


FIG. 6

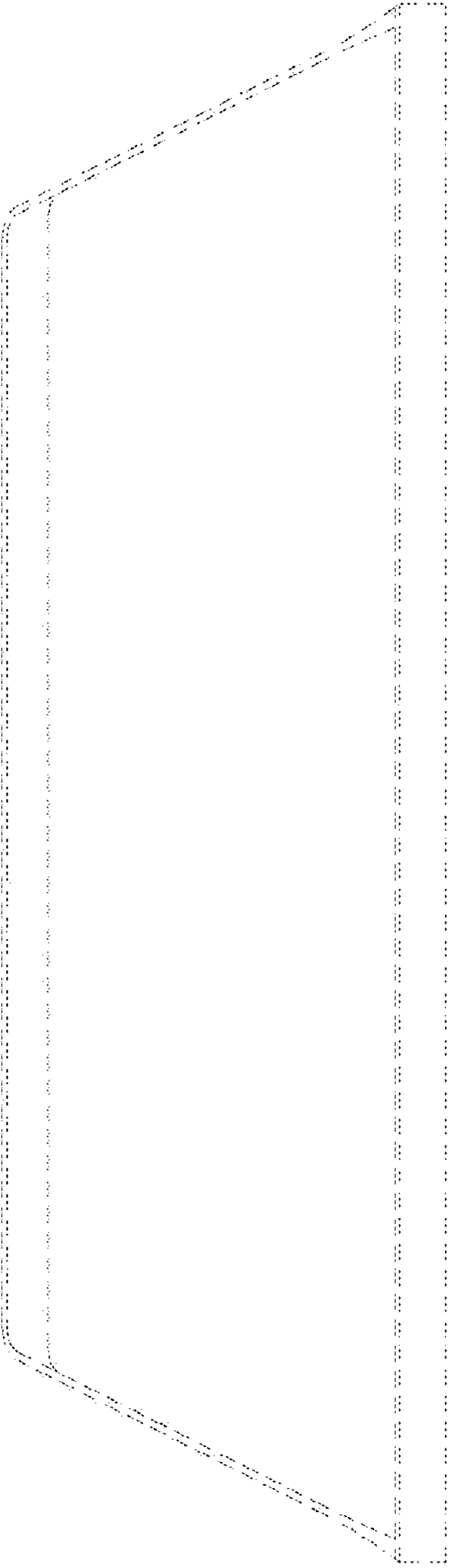


FIG. 7

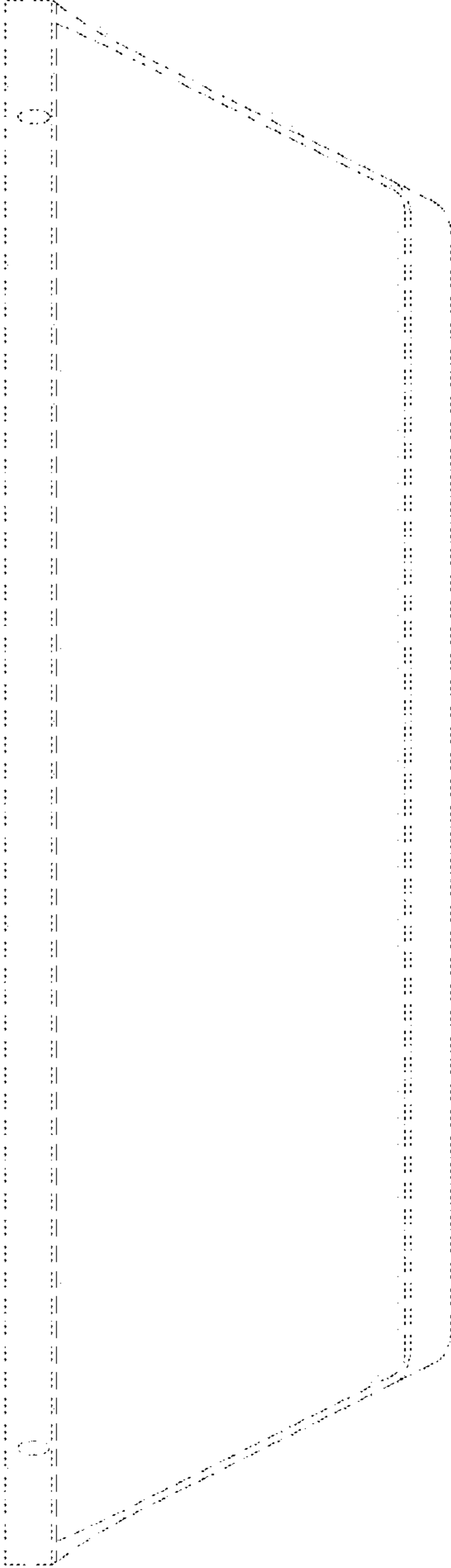


FIG. 8

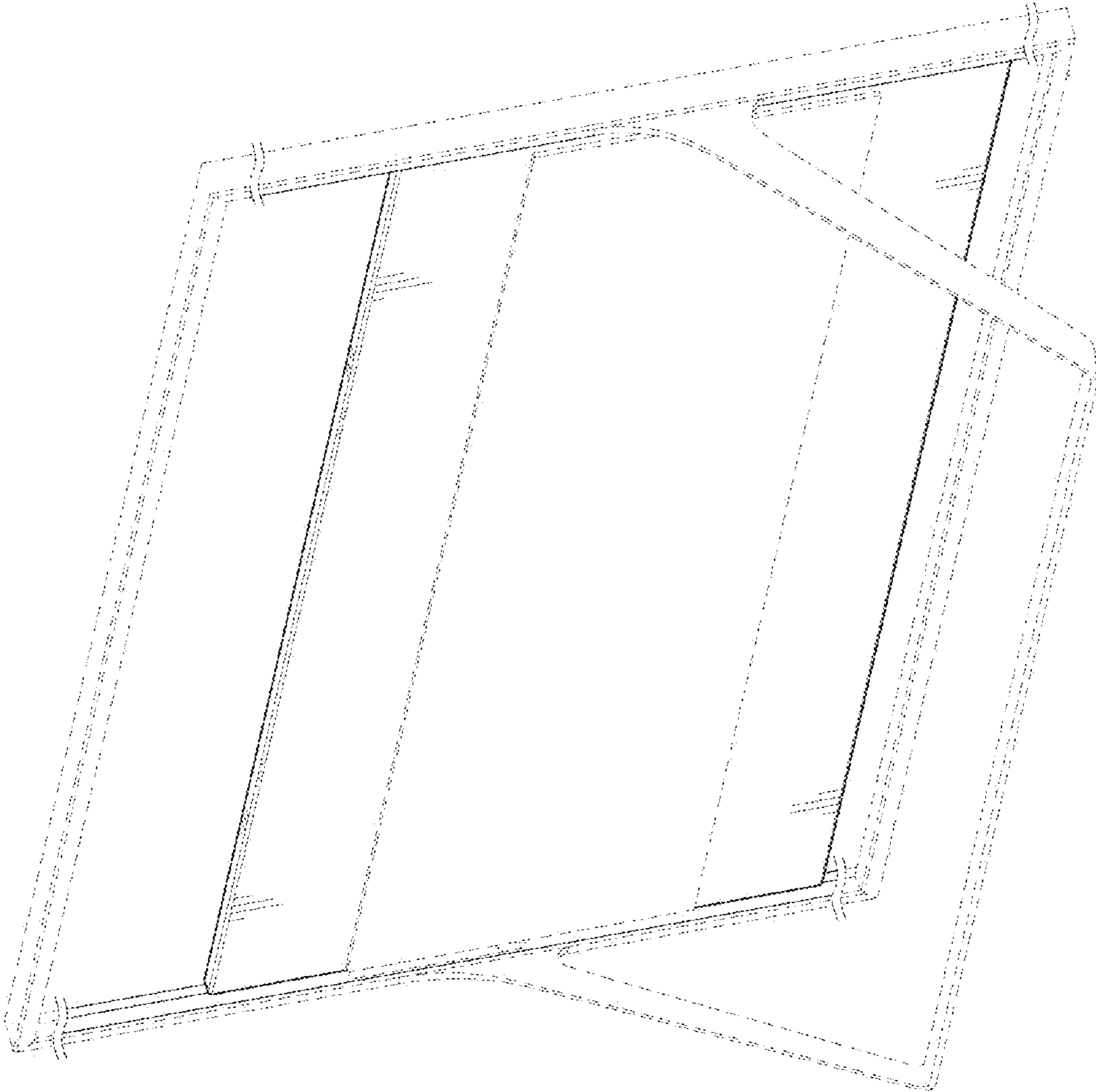


FIG. 9

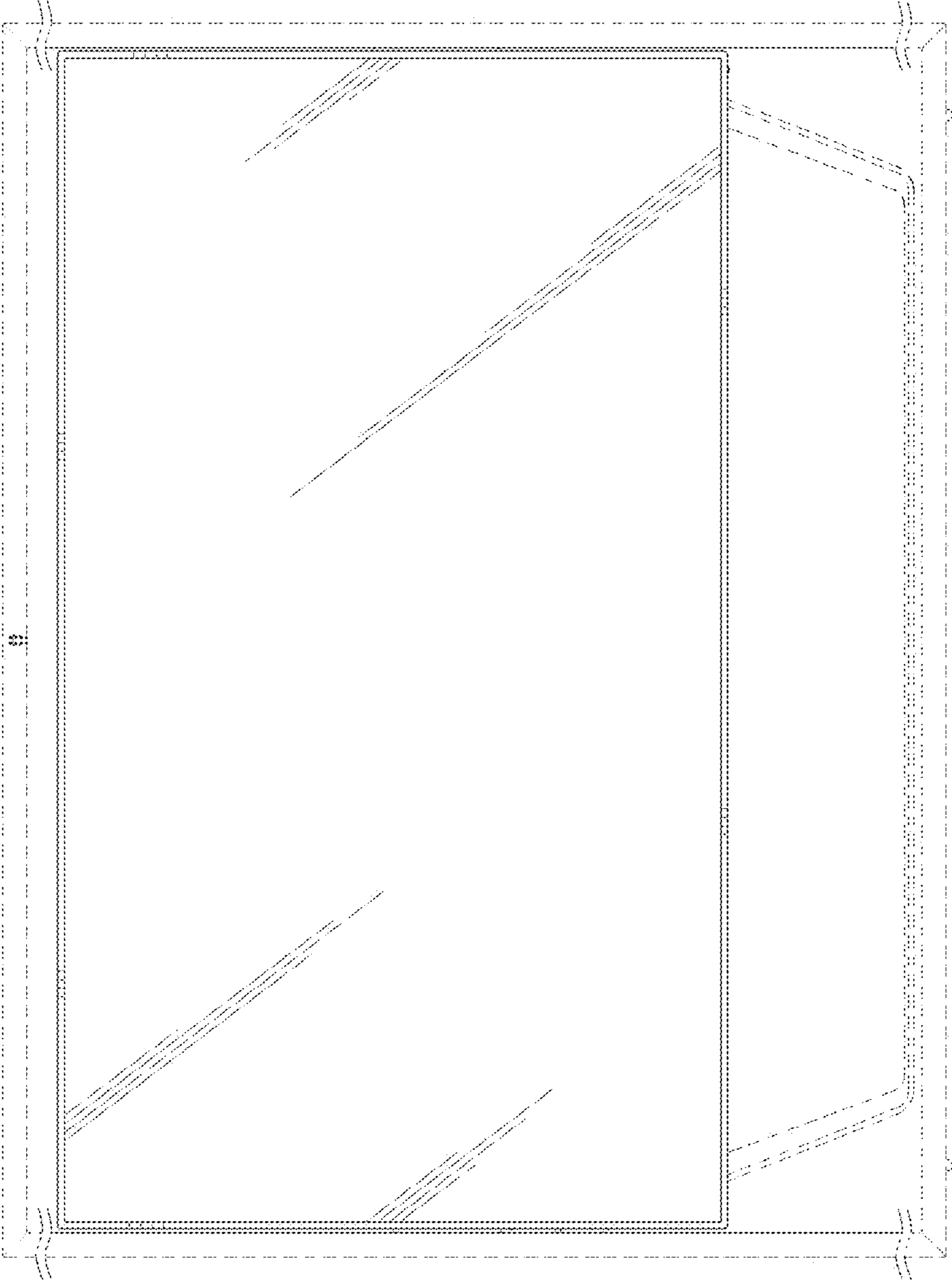


FIG. 10

