



US00D717249S

(12) **United States Design Patent**  
**Rodriguez et al.**

(10) **Patent No.:** **US D717,249 S**

(45) **Date of Patent:** **\*\* Nov. 11, 2014**

(54) **CONTROL PANEL**

(71) Applicant: **RGB Systems, Inc.**, Anaheim, CA (US)

(72) Inventors: **Osbaldo Rodriguez**, Huntington Beach, CA (US); **Lawrence Lum**, Irvine, CA (US); **Robert M Chaloupecky**, Apex, NC (US); **Jaysun Stockdell-Giesler**, Cary, NC (US); **Kate Gentle**, Cary, NC (US)

(73) Assignee: **RGB Systems, Inc.**, Anaheim, CA (US)

(\*\*) Term: **14 Years**

(21) Appl. No.: **29/464,409**

(22) Filed: **Aug. 15, 2013**

(51) **LOC (10) Cl.** ..... **13-03**

(52) **U.S. Cl.**  
USPC ..... **D13/164**

(58) **Field of Classification Search**  
USPC ..... D13/162, 164, 171, 174; D14/388;  
307/139, 157; 315/209 R, 224, 246,  
315/291, 294, 295; 200/5 R, 5 A, 302.2, 520,  
200/530, 293, 296, 308, 310, 314, 329,  
200/341; 220/241; 174/66

See application file for complete search history.

(56) **References Cited**

**U.S. PATENT DOCUMENTS**

D320,786	S *	10/1991	Darnell et al.	.....	D13/171
D352,025	S *	11/1994	Dellavecchia et al.	.....	D13/164
D394,042	S *	5/1998	Hwang	.....	D13/171
5,892,192	A *	4/1999	Ishiguro et al.	.....	200/5 R
D442,558	S *	5/2001	Mayo et al.	.....	D13/162
6,660,948	B2 *	12/2003	Clegg et al.	.....	200/5 A
6,765,149	B1 *	7/2004	Ku	.....	174/66
6,849,968	B2 *	2/2005	Park	.....	307/112
D518,794	S *	4/2006	Hedderich et al.	.....	D13/164
D519,939	S *	5/2006	Hedderich et al.	.....	D13/164
7,067,754	B2 *	6/2006	Weston et al.	.....	200/314

D541,221	S *	4/2007	Spira	.....	D13/162
D557,665	S *	12/2007	Hewson et al.	.....	D13/164
7,332,681	B2 *	2/2008	Wohlfart	.....	200/5 A
7,432,463	B2 *	10/2008	Clegg et al.	.....	200/310
D585,841	S *	2/2009	Hollner	.....	D13/164
D586,760	S *	2/2009	Hollner et al.	.....	D13/164
7,595,459	B2 *	9/2009	Oh	.....	200/333
8,289,192	B2 *	10/2012	O'Donnell	.....	341/22
8,299,359	B2 *	10/2012	Alderson et al.	.....	174/66
8,674,221	B2 *	3/2014	Yang	.....	174/66
2002/0153239	A1 *	10/2002	Yoshida et al.	.....	200/520
2007/0039807	A1 *	2/2007	Yang	.....	200/296

\* cited by examiner

*Primary Examiner* — Selina Sikder

(74) *Attorney, Agent, or Firm* — The Hecker Law Group, PLC

(57) **CLAIM**

The ornamental design for a control panel, as shown and described.

**DESCRIPTION**

FIG. 1 is a front perspective view of an embodiment of the control panel of the present invention.

FIG. 2 is a front view of an embodiment of the control panel of the present invention.

FIG. 3 is a rear side view of an embodiment of the control panel of the present invention.

FIG. 4 is a top view of an embodiment of the control panel of the present invention.

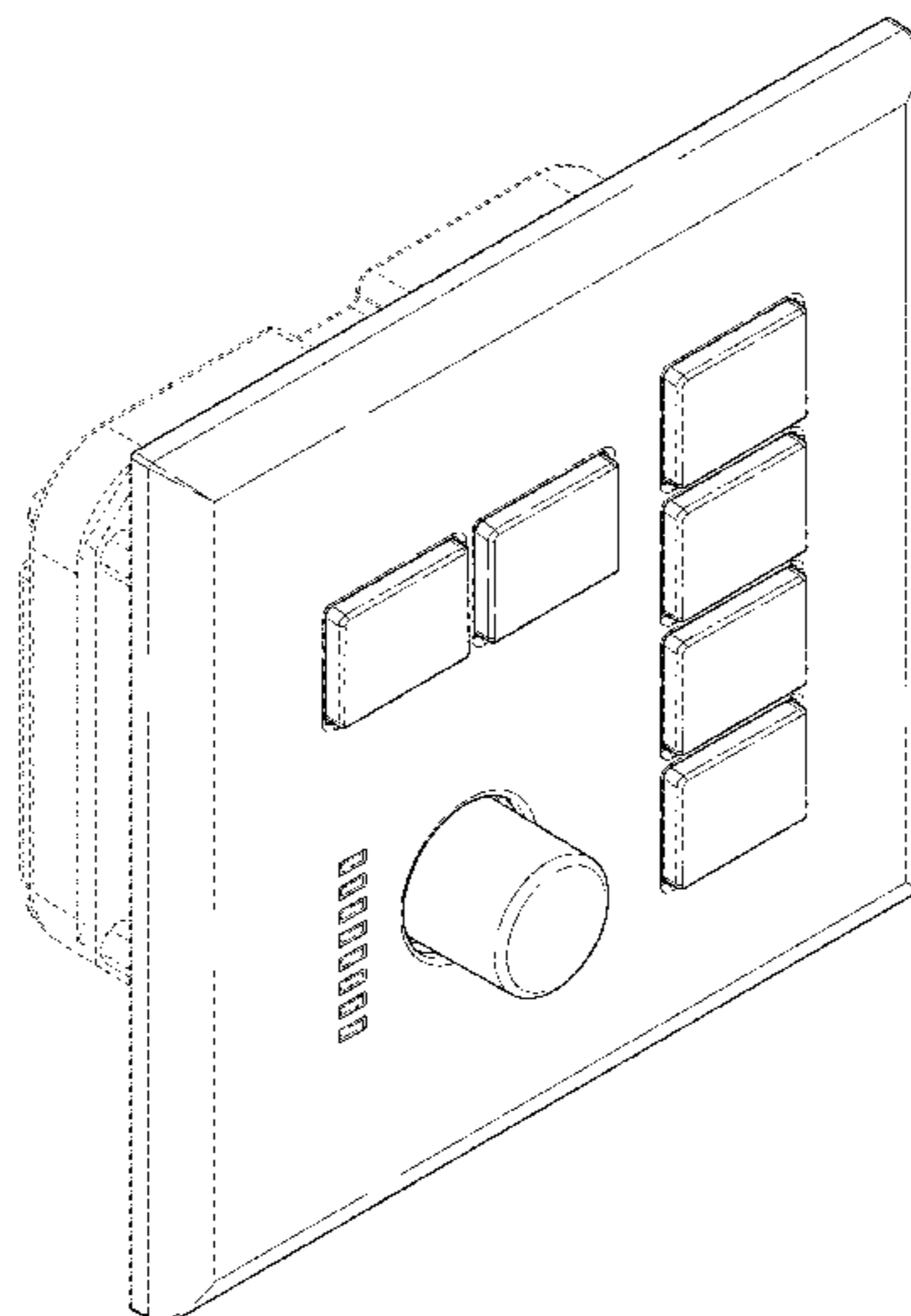
FIG. 5 is a bottom view of an embodiment of the control panel of the present invention.

FIG. 6 is a right side view of an embodiment of the control panel of the present invention; and,

FIG. 7 is a left side view of an embodiment of the control panel of the present invention.

The broken line showing of the control panel is for the purpose of illustrating environmental structure and forms no part of the claimed design.

**1 Claim, 7 Drawing Sheets**



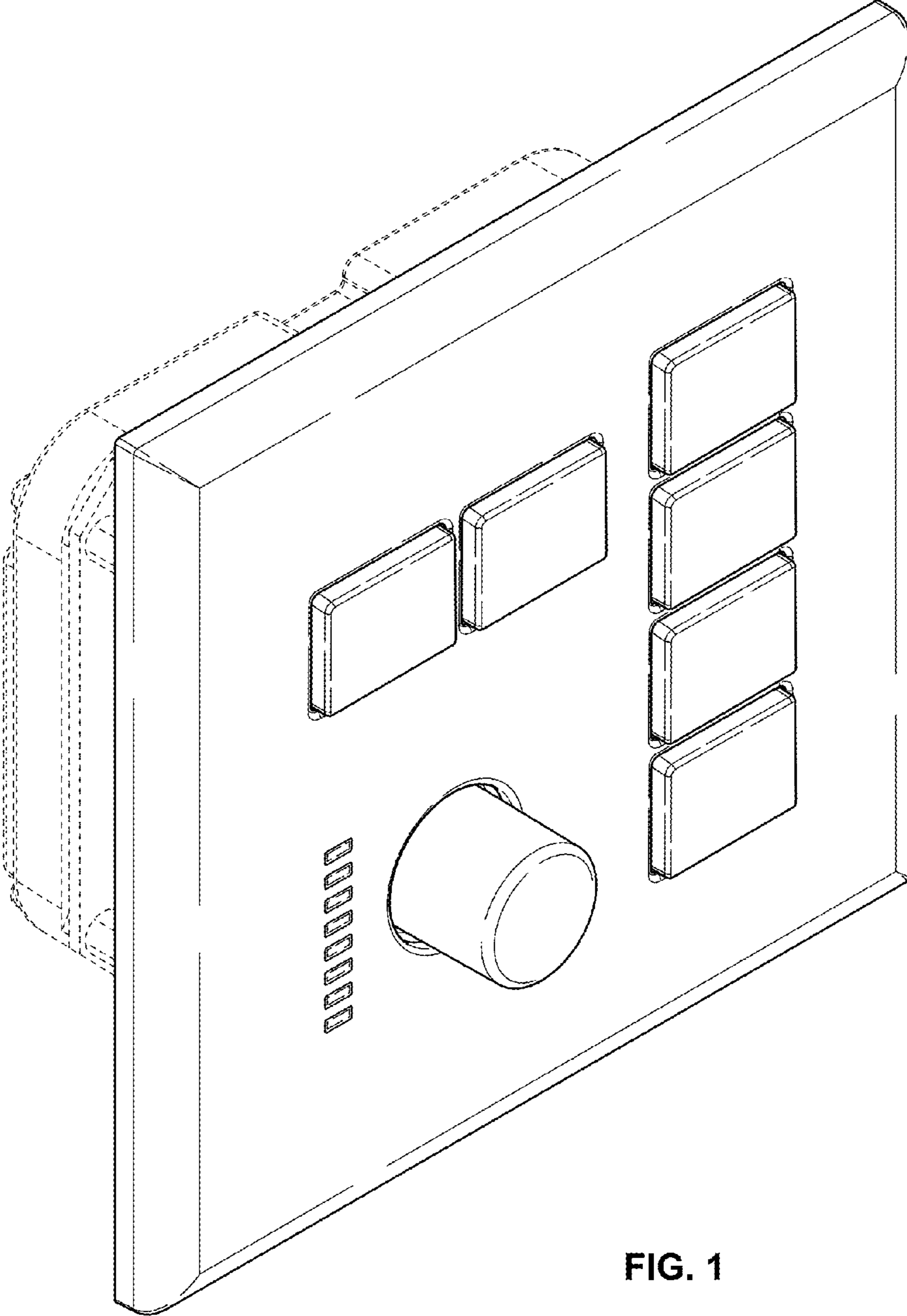


FIG. 1

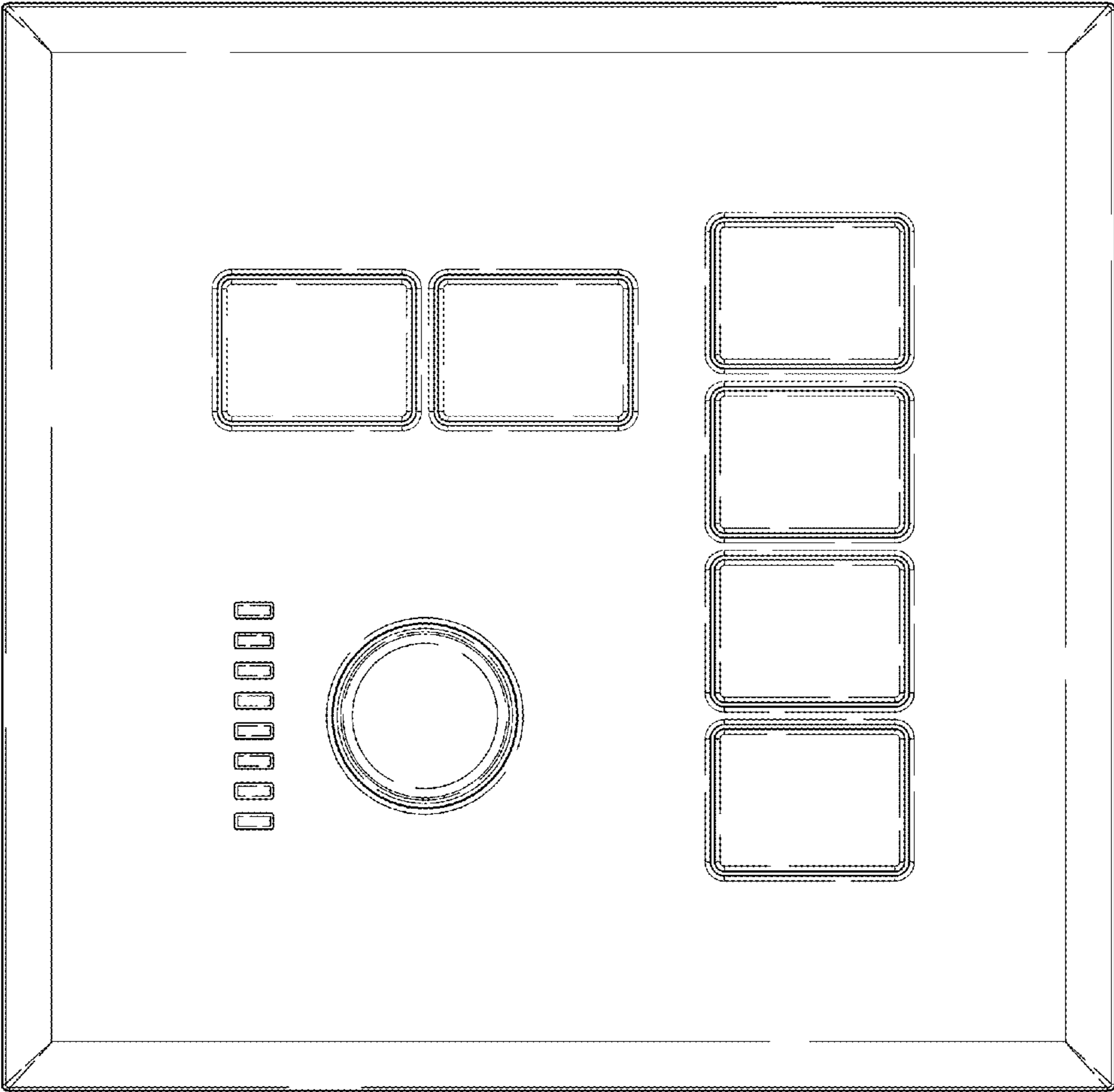


FIG. 2

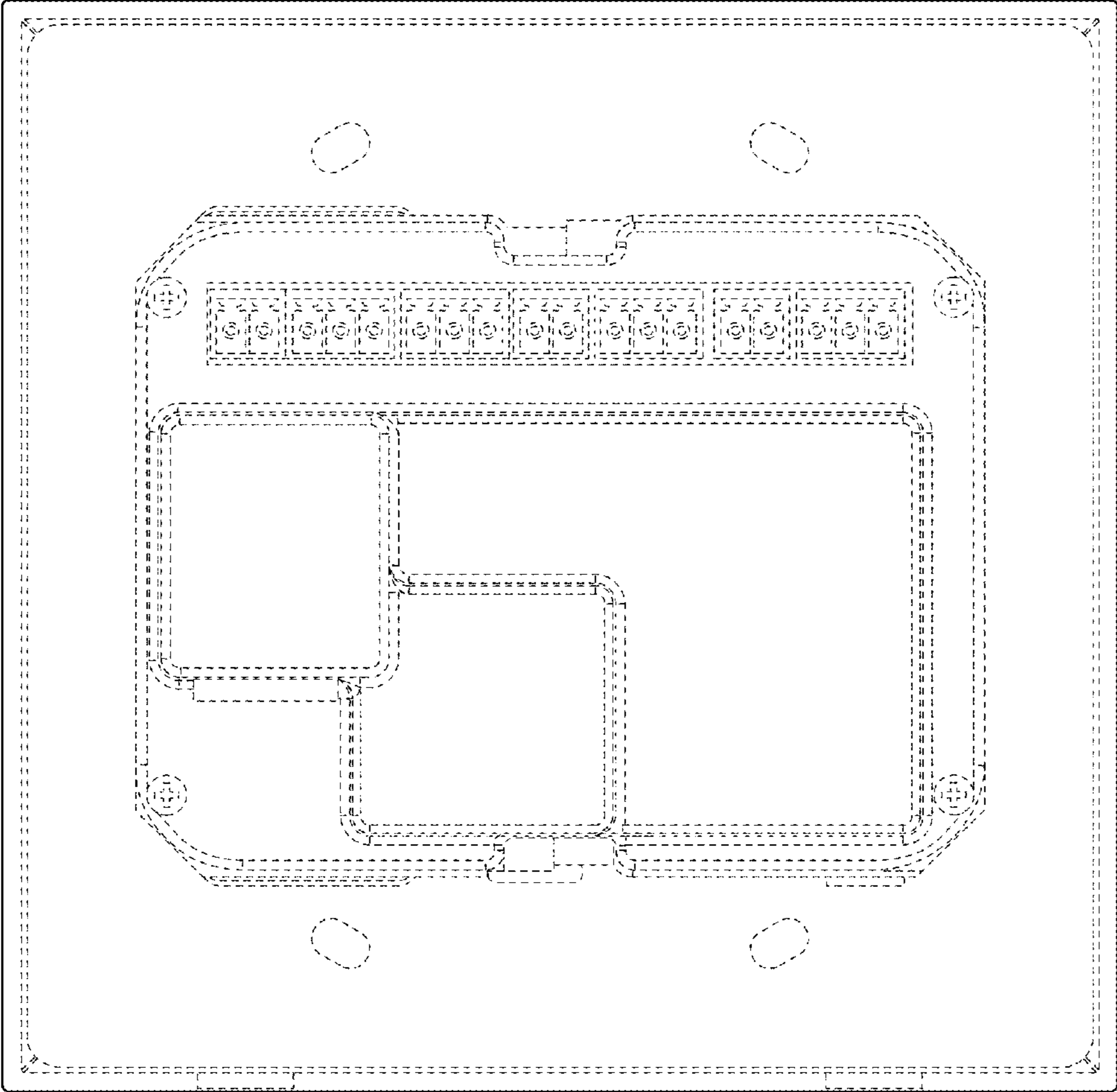


FIG. 3

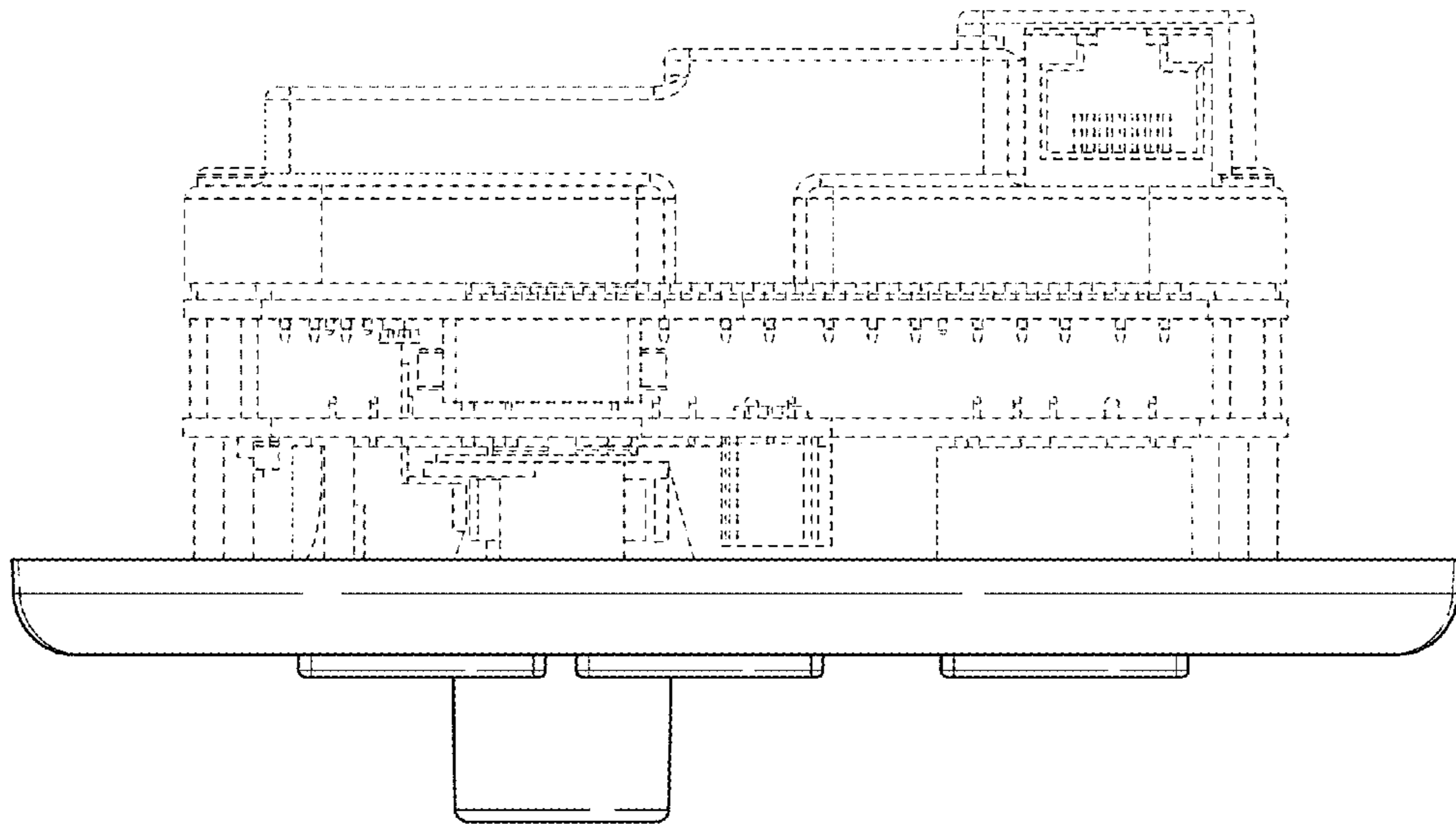


FIG. 4



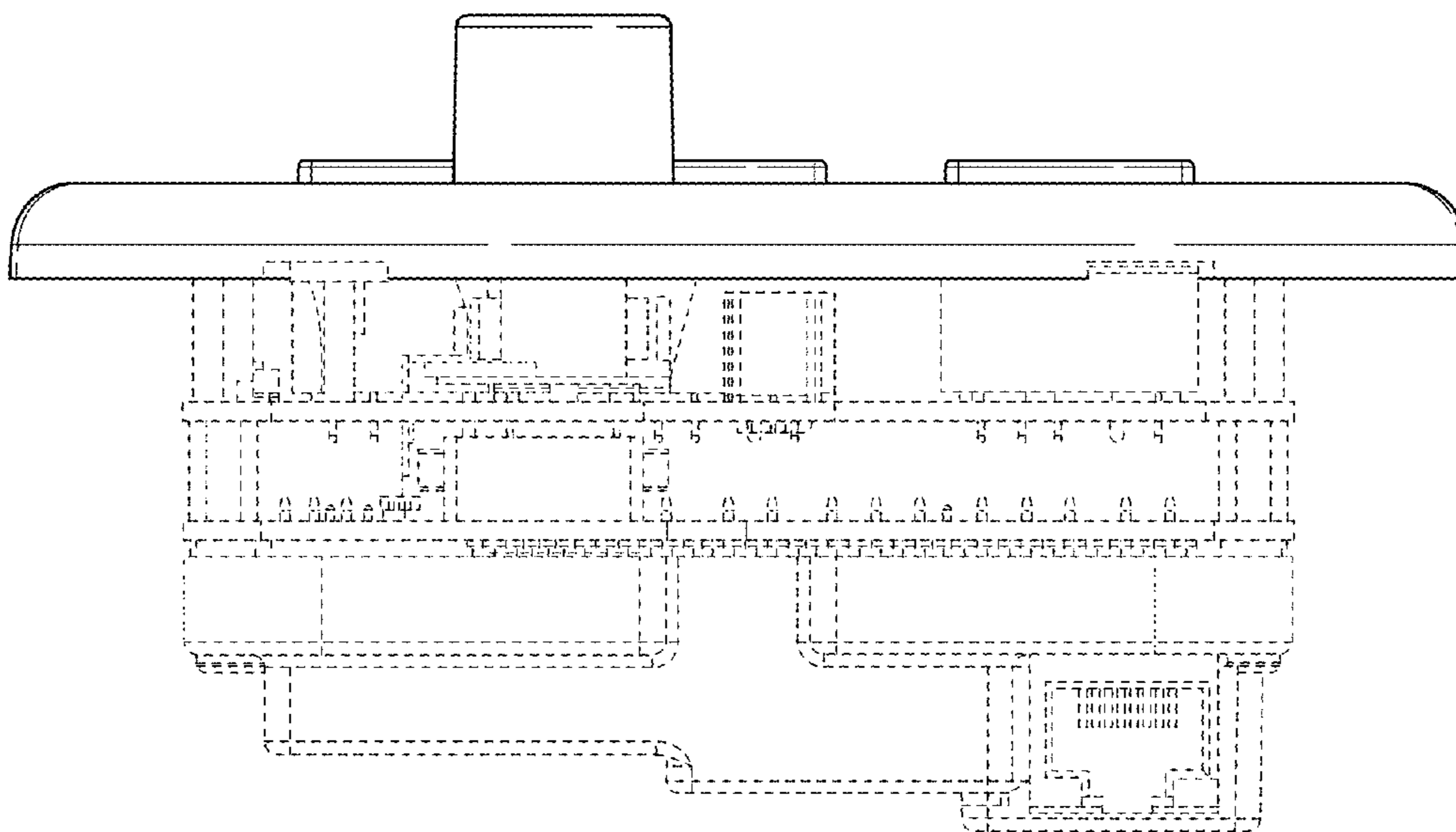


FIG. 5

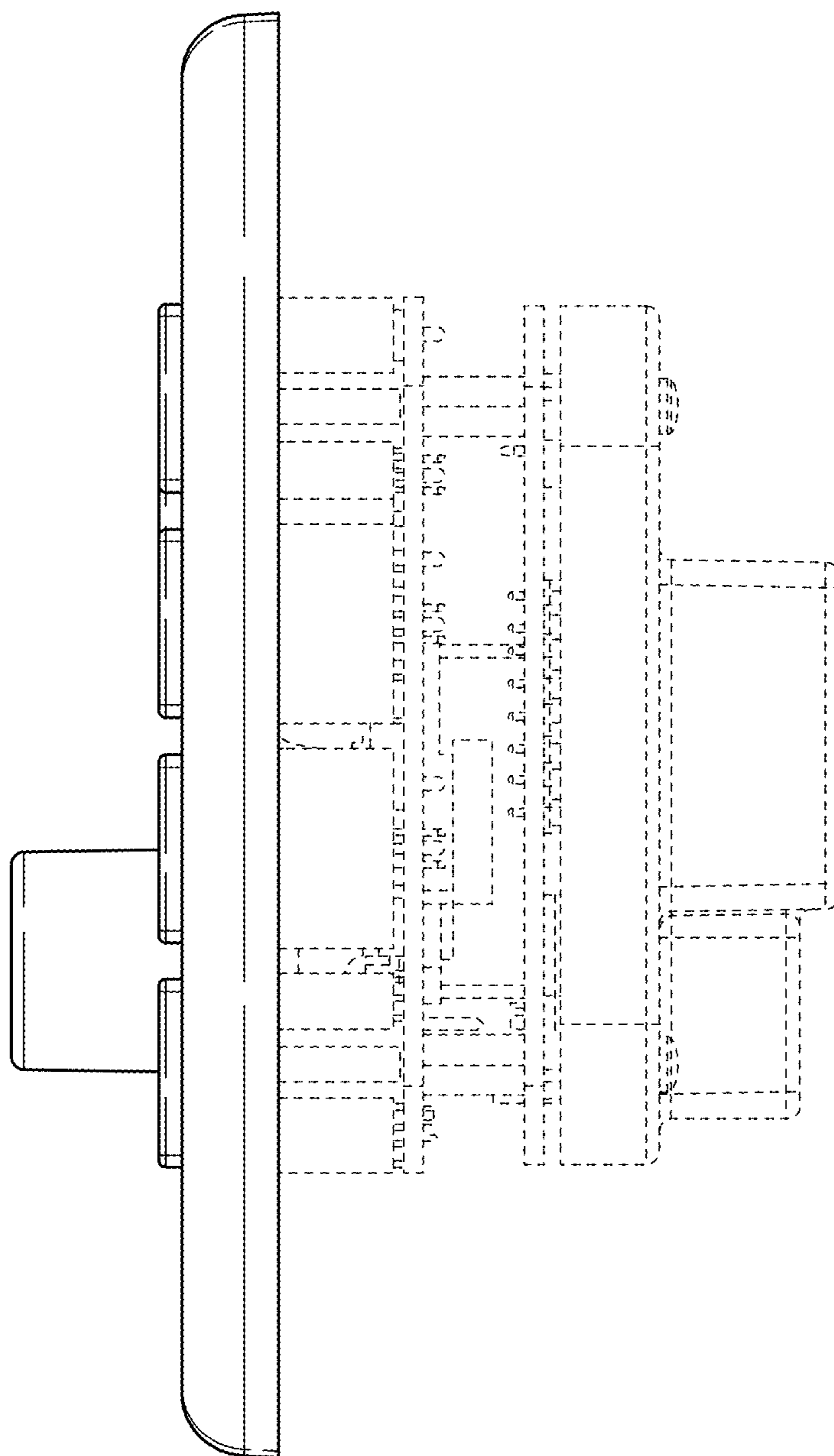


FIG. 6

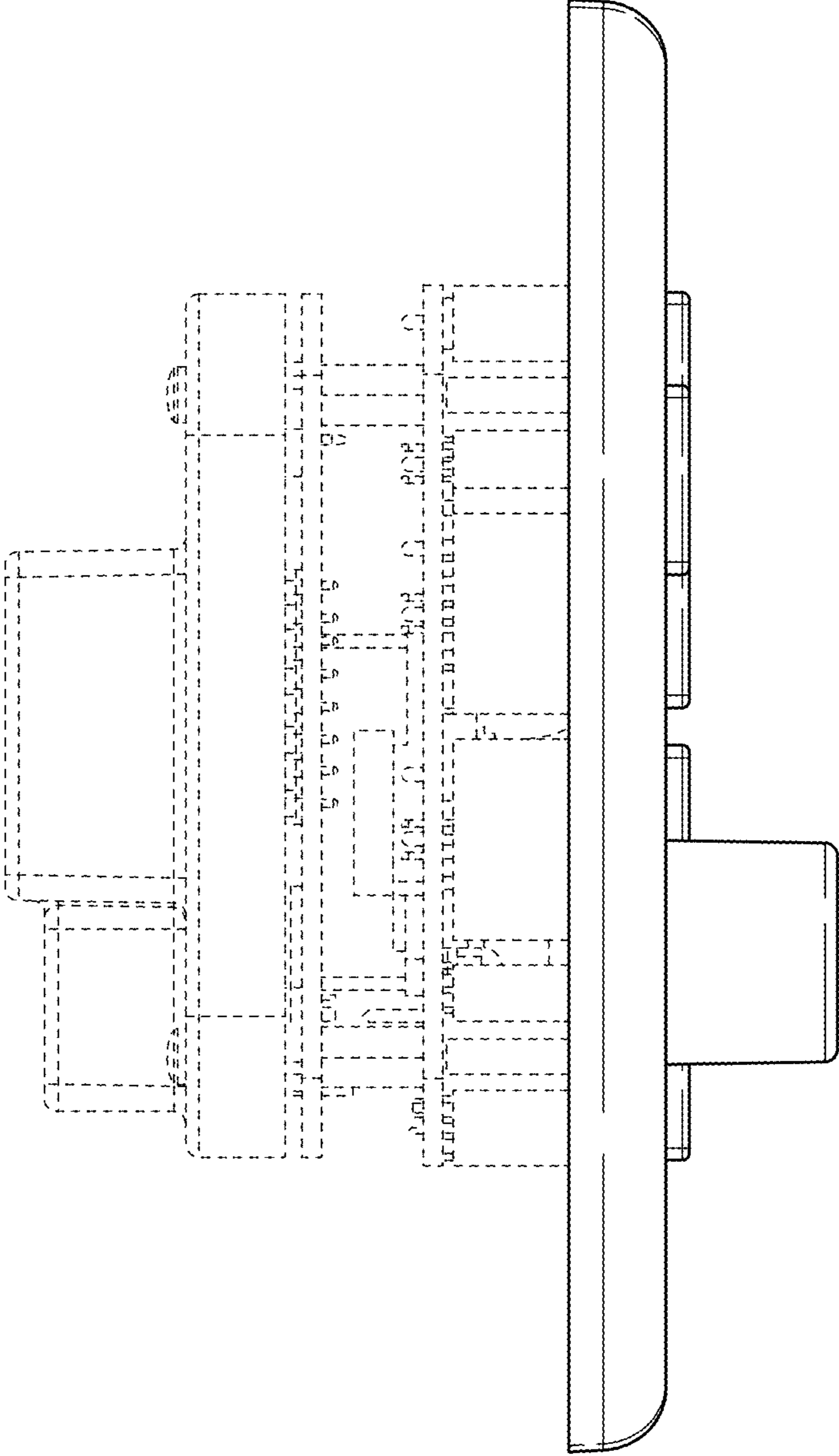


FIG. 7