



US00D717248S

(12) **United States Design Patent**  
**Coffman et al.**

(10) **Patent No.:** **US D717,248 S**

(45) **Date of Patent:** **\*\* Nov. 11, 2014**

(54) **HAND GRIP CONNECTOR FOR CABLE PROTECTORS**

(75) Inventors: **Daniel Coffman**, Northglenn, CO (US);  
**Brad Prosofski**, Thornton, CO (US);  
**James P. Fonte**, Arvada, CO (US)

(73) Assignee: **Checkers Industrial Products, LLC**,  
Broomfield, CO (US)

(\*\*) Term: **14 Years**

(21) Appl. No.: **29/429,439**

(22) Filed: **Aug. 10, 2012**

(51) **LOC (10) CL.** ..... **13-03**

(52) **U.S. CL.**  
USPC ..... **D13/155**

(58) **Field of Classification Search**  
USPC ..... D13/154-157, 184, 199; D8/356;  
52/98; 104/275, 276; 248/548;  
174/95-97, 135, 136; 138/106-107,  
138/116-117, 167, 169

See application file for complete search history.

(56) **References Cited**

U.S. PATENT DOCUMENTS

6,499,410	B1 *	12/2002	Berardi	104/275
D563,323	S *	3/2008	Henry et al.	D13/155
D583,771	S *	12/2008	Lubanski	D13/155
2009/0283298	A1 *	11/2009	Lubanski	174/135
2010/0224388	A1 *	9/2010	Lubanski	174/97

\* cited by examiner

*Primary Examiner* — Derrick Holland

*Assistant Examiner* — Lauren Calve

(74) *Attorney, Agent, or Firm* — Holland & Hart

(57) **CLAIM**

The ornamental design for a hand grip connector for cable protectors, as shown and described.

**DESCRIPTION**

FIG. 1 is a perspective view of a hand grip connector for cable protectors;

FIG. 2 is another perspective view thereof;

FIG. 3 is a top view thereof;

FIG. 4 is a left side view thereof;

FIG. 5 is a right side view;

FIG. 6 is a bottom view thereof;

FIG. 7 is a rear view thereof;

FIG. 8 is a front view thereof;

FIG. 9 is a perspective view of a hand grip connector for cable protectors according to a second embodiment;

FIG. 10 is another perspective view thereof;

FIG. 11 is a top view thereof;

FIG. 12 is a left side view thereof;

FIG. 13 is a right side view thereof;

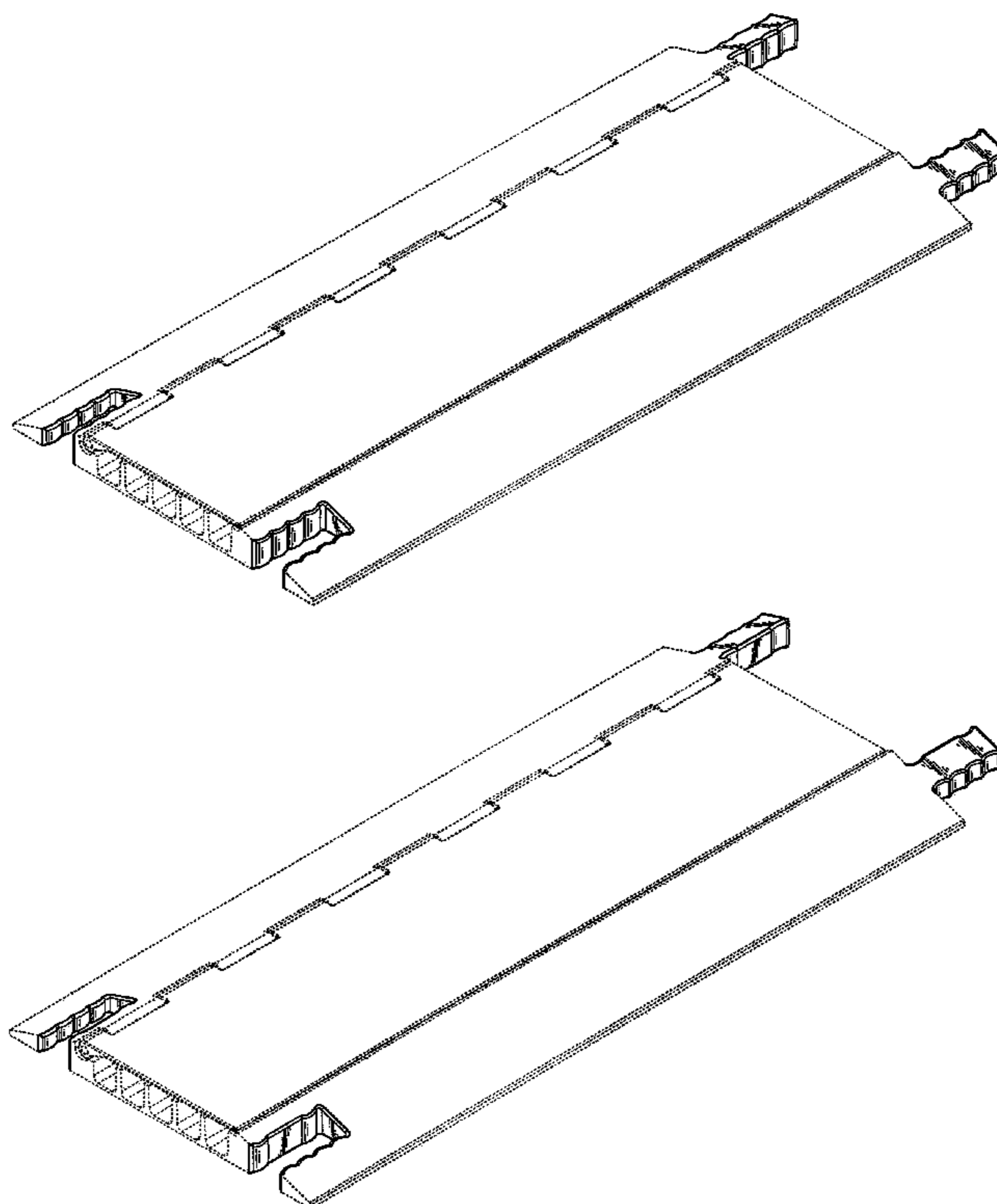
FIG. 14 is a bottom view thereof;

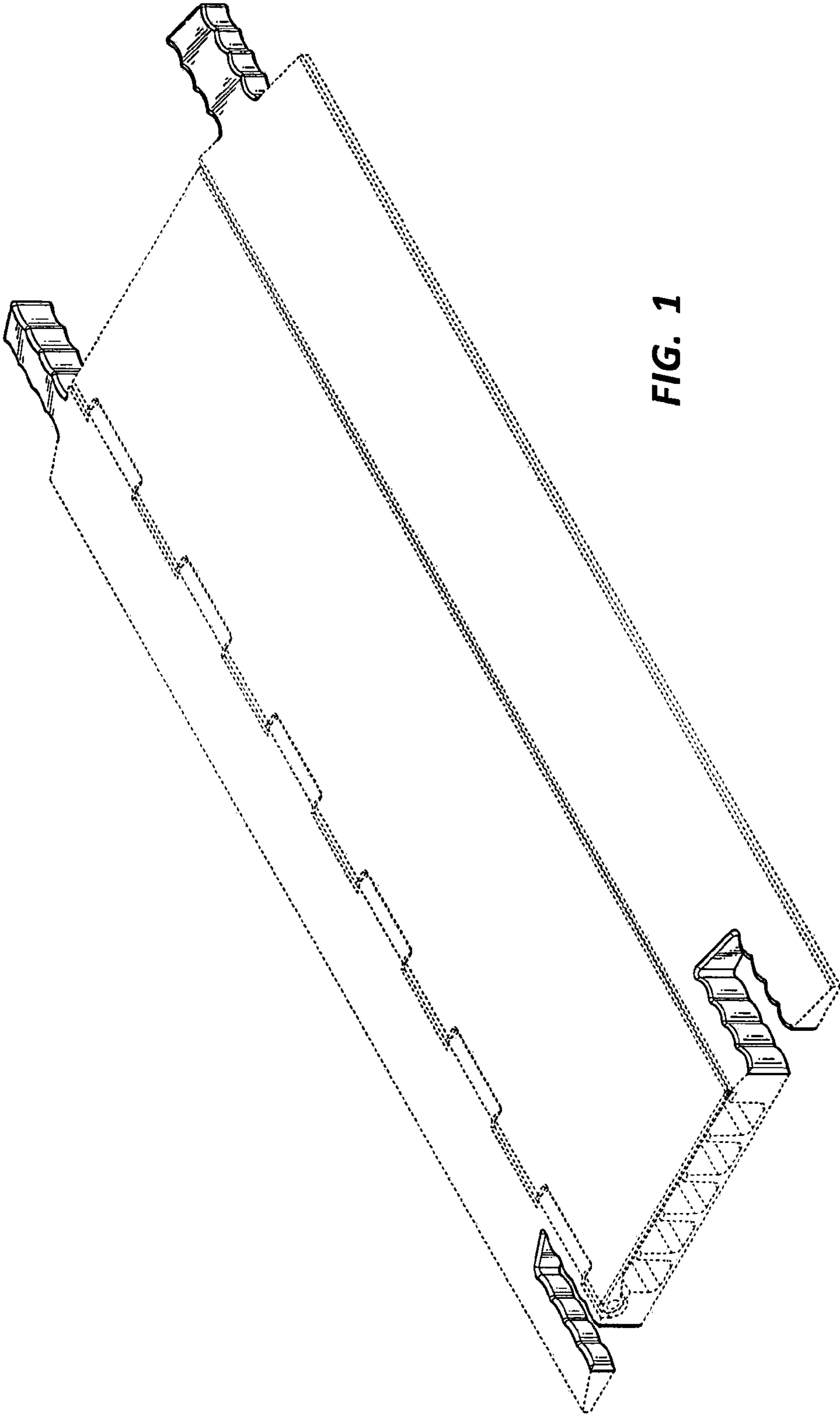
FIG. 15 is a rear view thereof; and,

FIG. 16 is a front view thereof.

The broken lines shown represent unclaimed subject matter and form no part of the claimed design.

**1 Claim, 8 Drawing Sheets**





**FIG. 1**

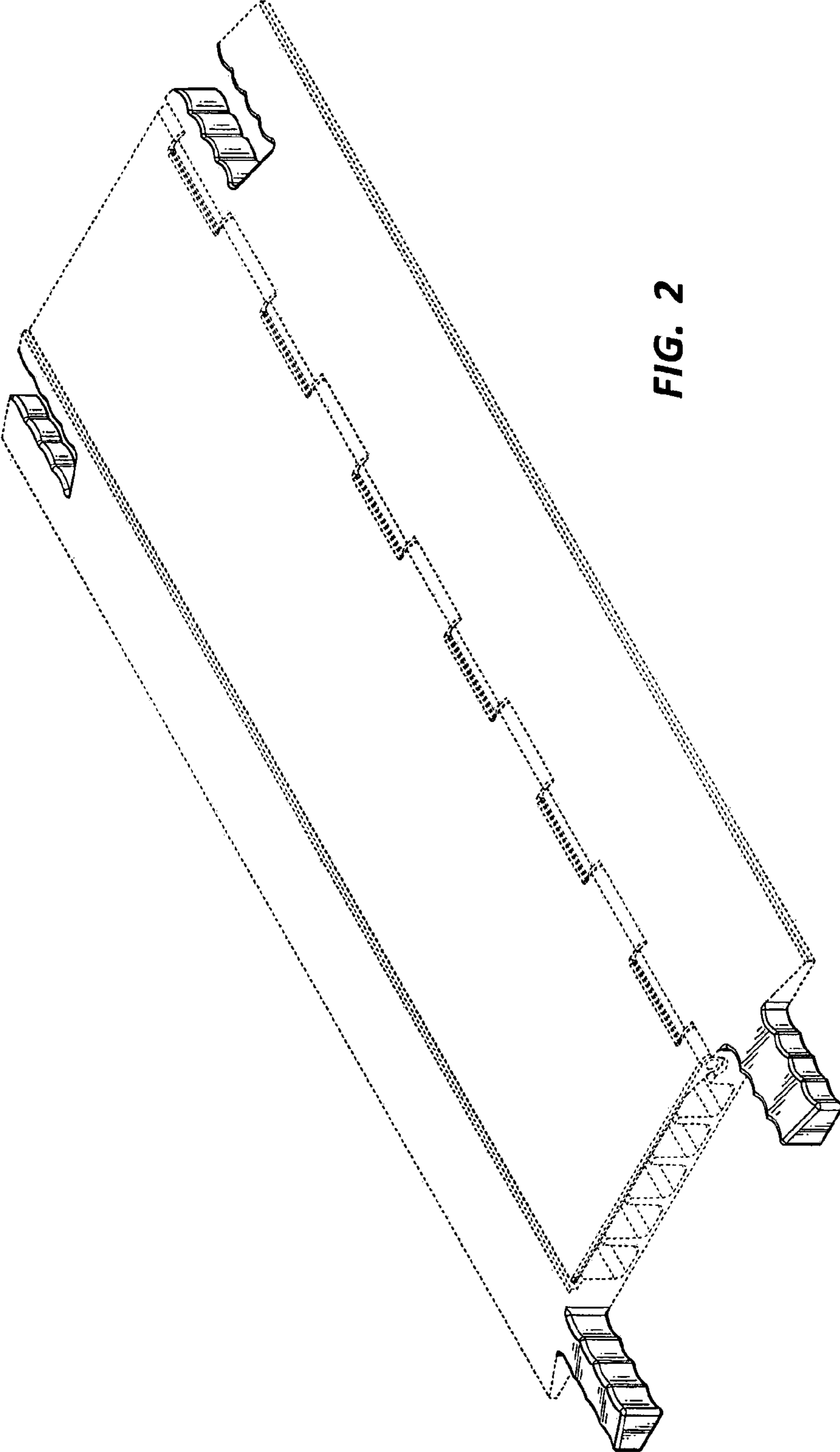
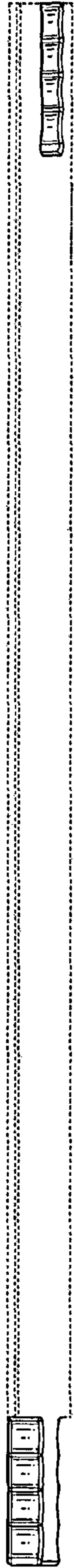
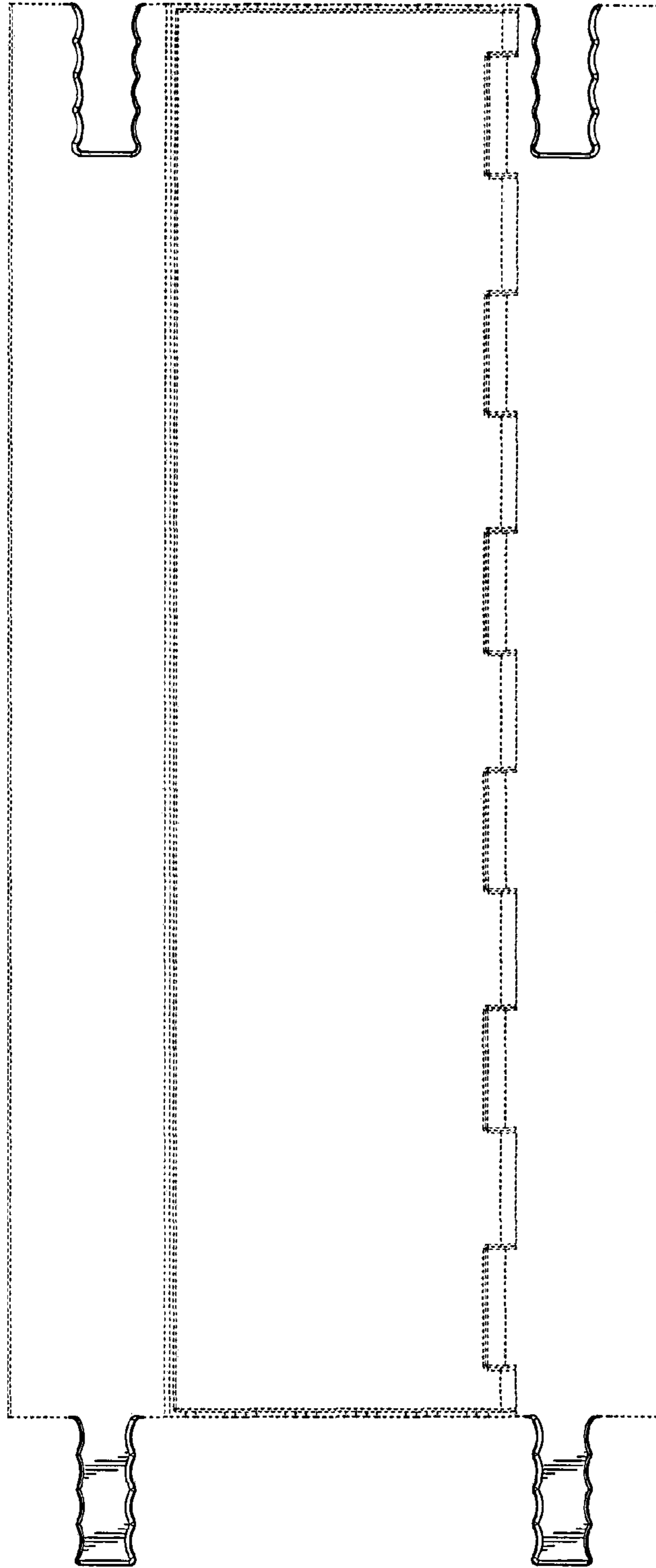


FIG. 2



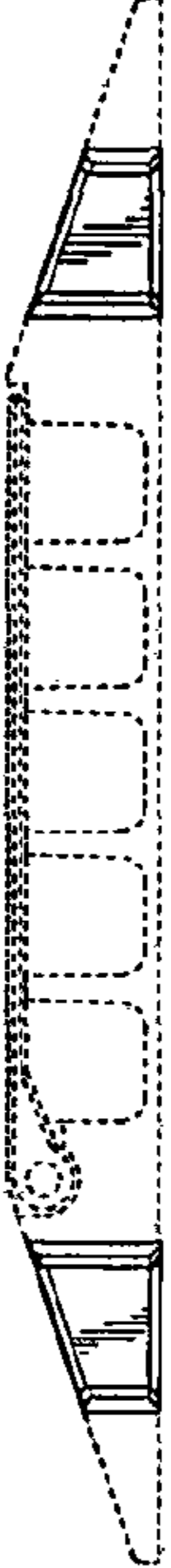
**FIG. 4**



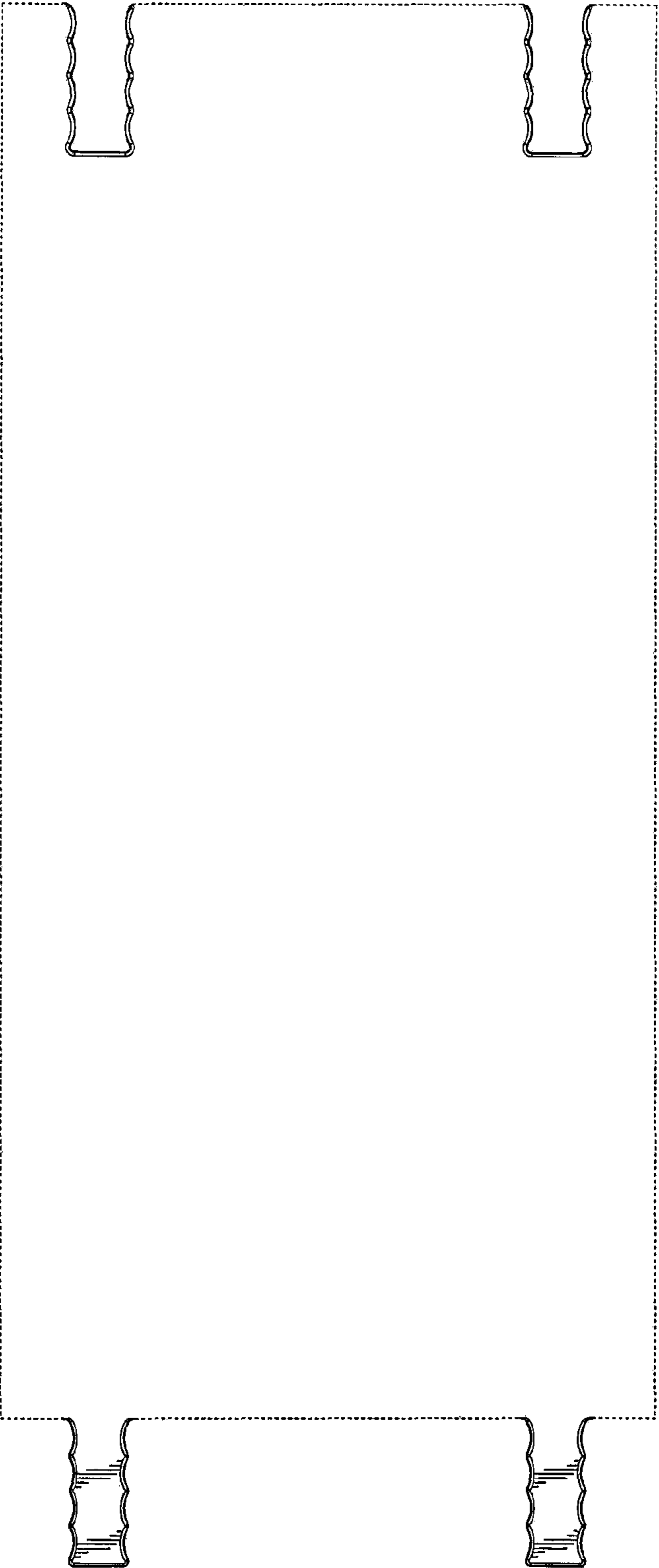
**FIG. 3**



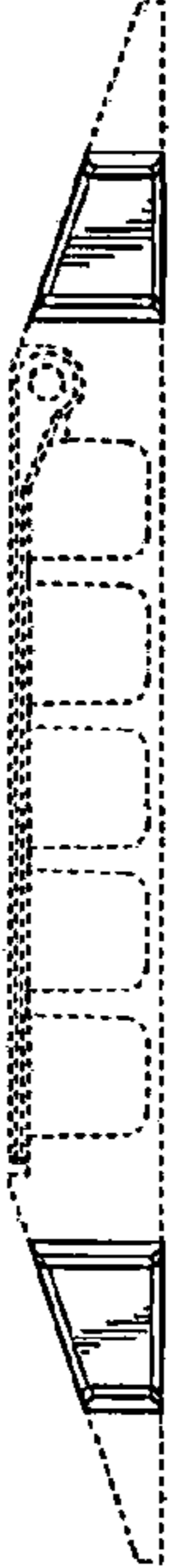
**FIG. 5**



**FIG. 7**



**FIG. 6**



**FIG. 8**

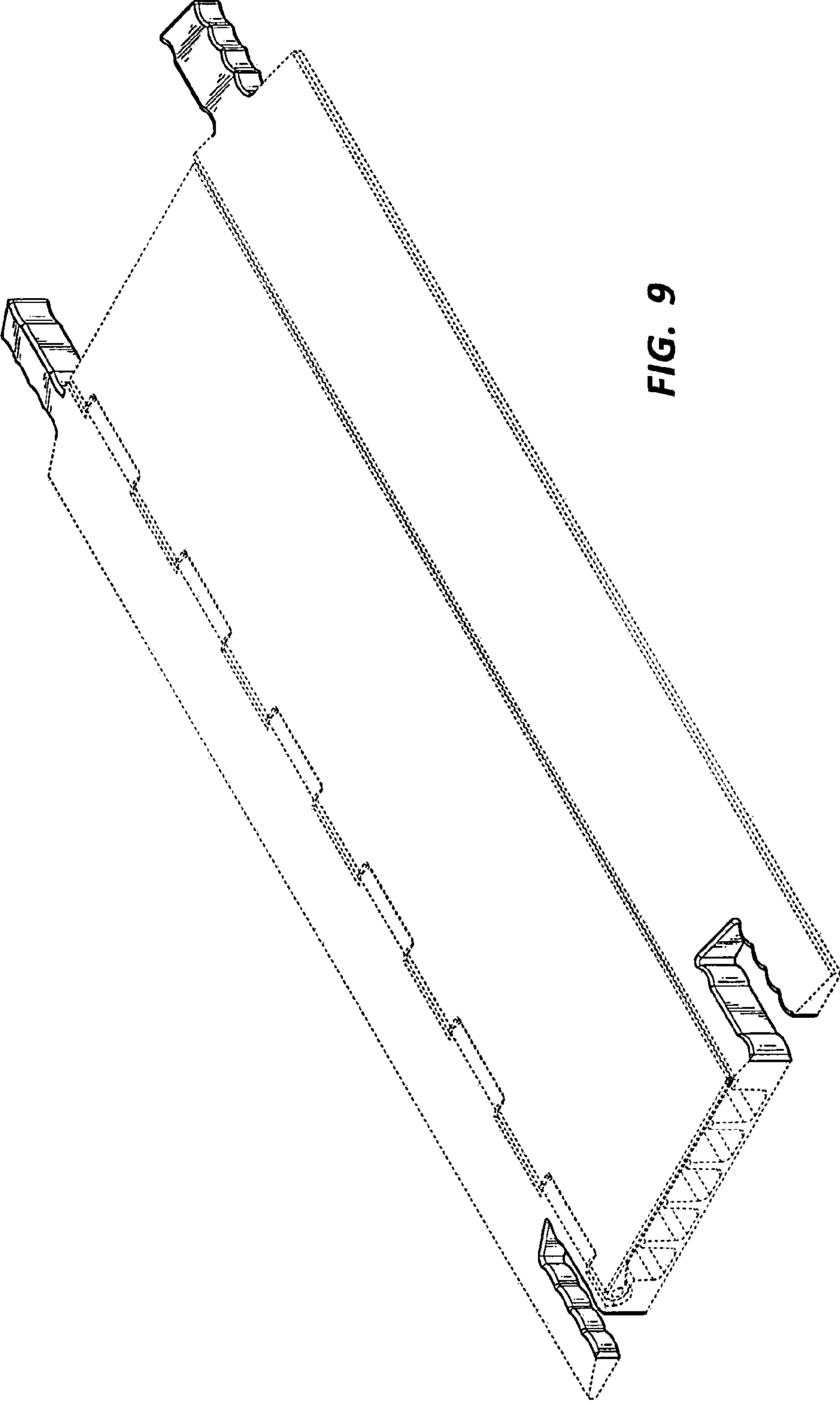


FIG. 9

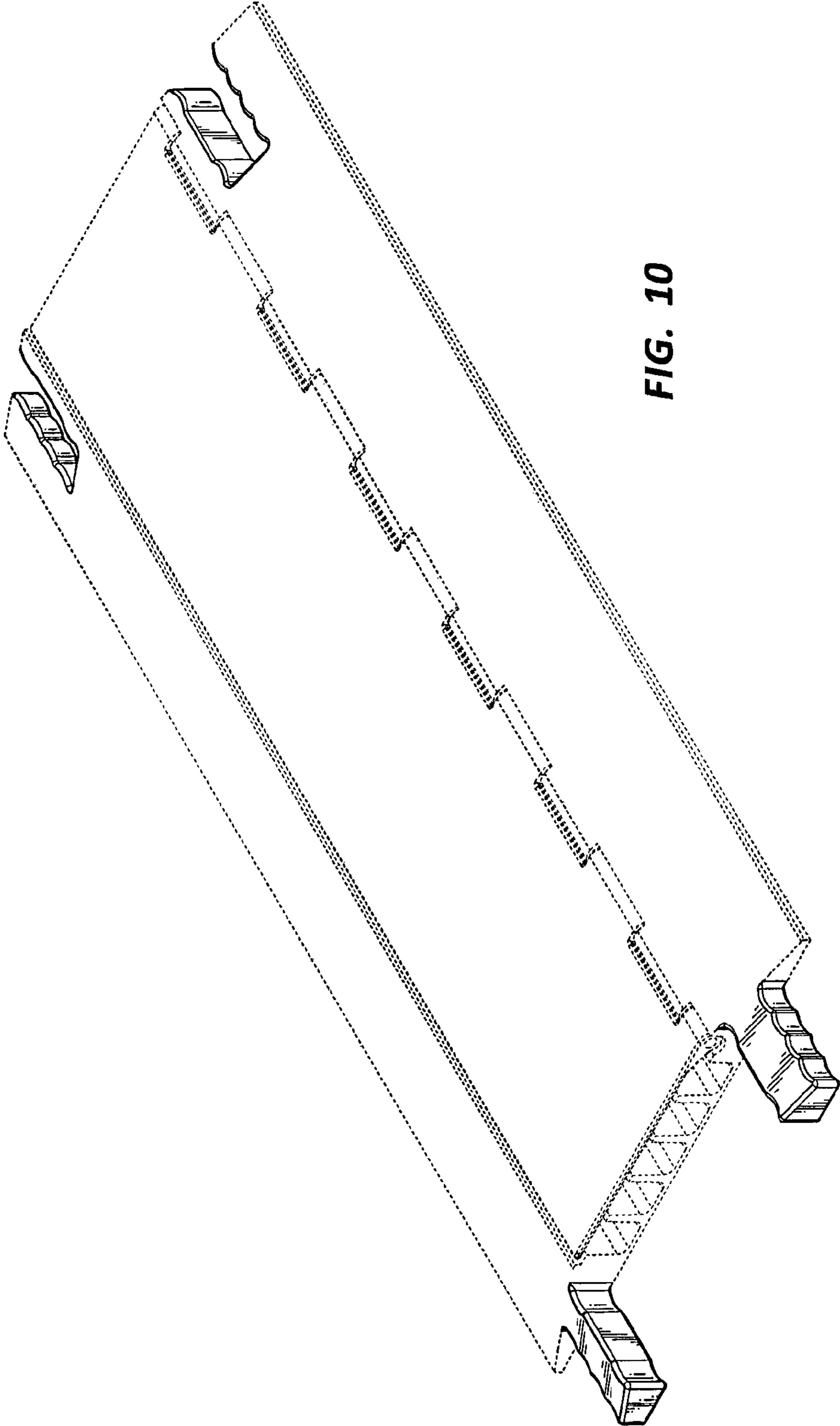
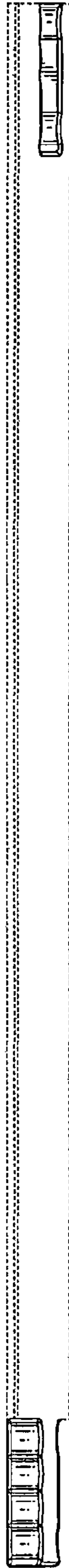
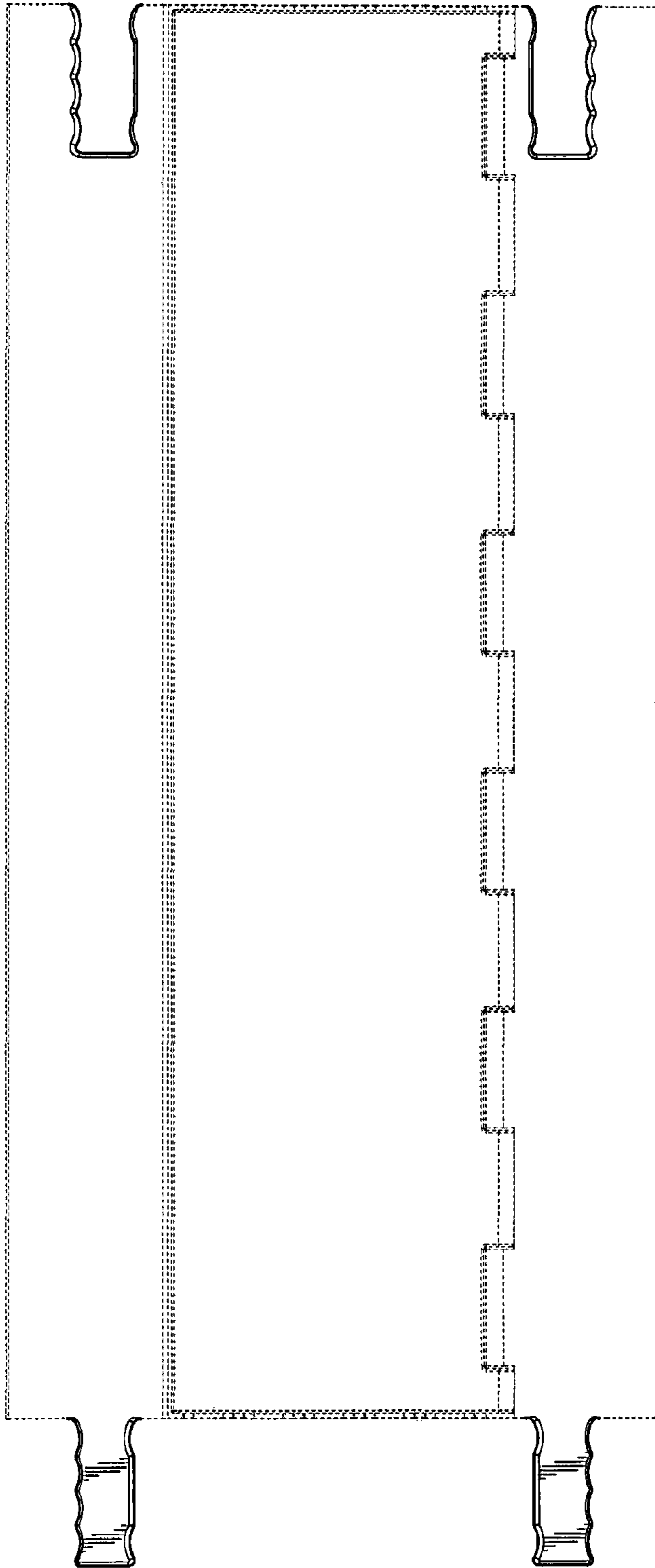


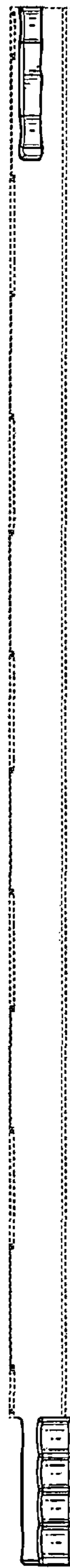
FIG. 10



**FIG. 12**

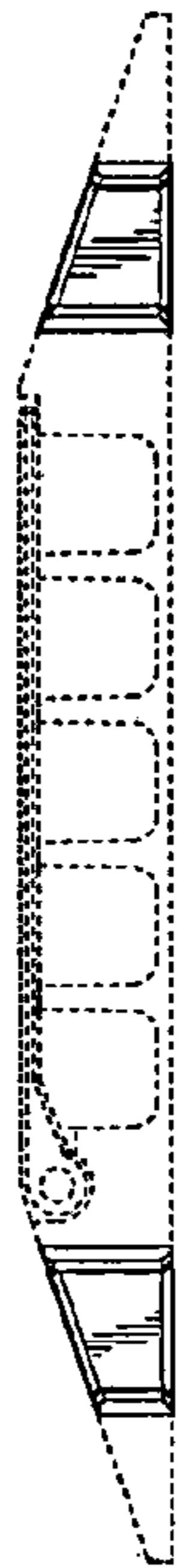


**FIG. 11**

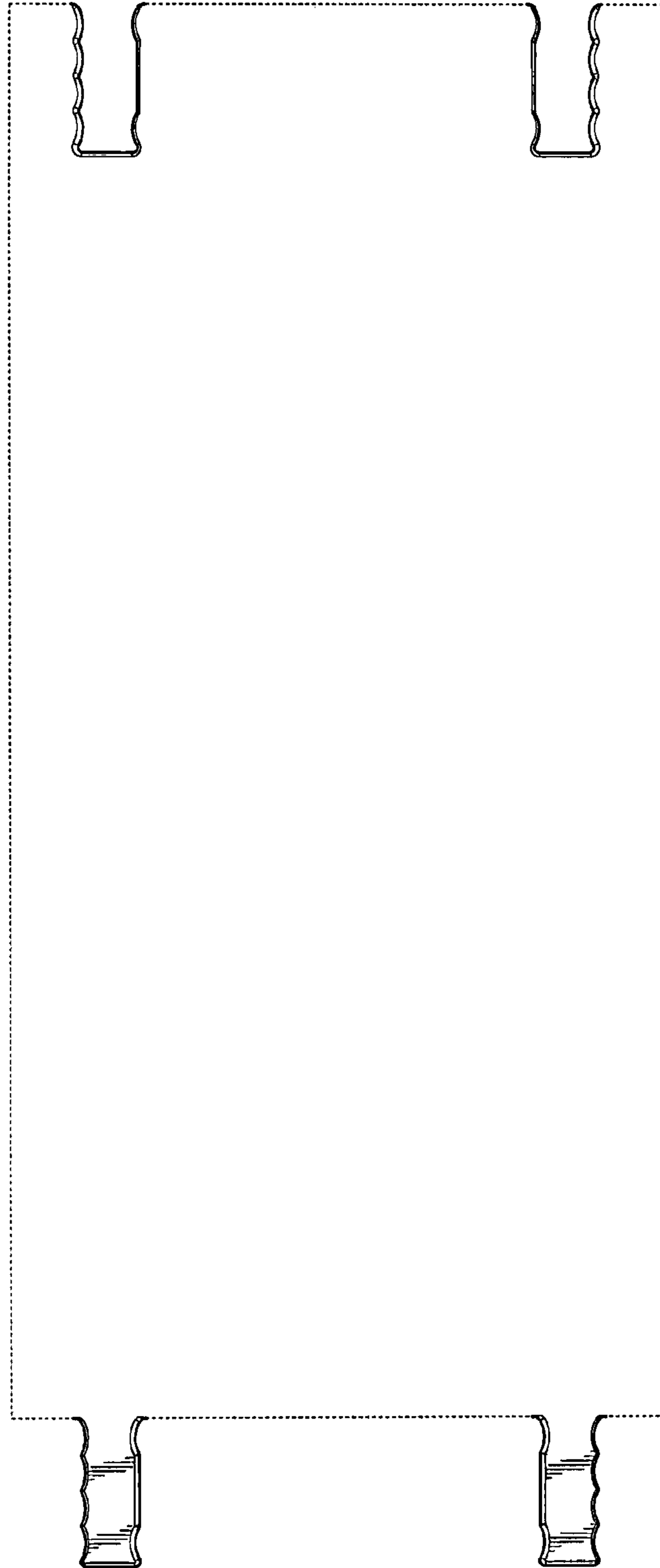


**FIG. 13**

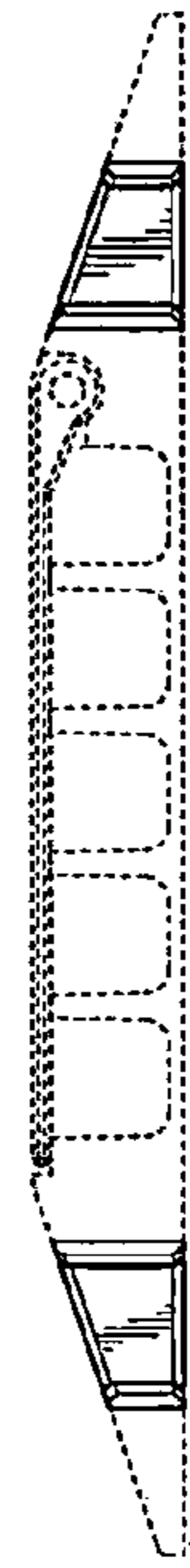




**FIG. 15**



**FIG. 14**



**FIG. 16**