



US00D717247S

(12) **United States Design Patent**
Nagasawa et al.

(10) **Patent No.:** **US D717,247 S**

(45) **Date of Patent:** **** Nov. 11, 2014**

(54) **BULB SOCKET**

(71) Applicants: **Yazaki Corporation**, Tokyo (JP);
Stanley Electric Company Co., Ltd.,
Tokyo (JP)

(72) Inventors: **Masanori Nagasawa**, Makinohara (JP);
Mitsuru Yasuma, Tokyo (JP); **Masanari**
Tsukada, Tokyo (JP)

(73) Assignees: **Yazaki Corporation**, Tokyo (JP);
Stanley Electric Company Co., Ltd.,
Tokyo (JP)

(**) Term: **14 Years**

(21) Appl. No.: **29/440,320**

(22) Filed: **Dec. 20, 2012**

(30) **Foreign Application Priority Data**

Jun. 21, 2012 (JP) 2012-014782

(51) **LOC (10) Cl.** **13-03**

(52) **U.S. Cl.**
USPC **D13/133**

(58) **Field of Classification Search**

CPC H01K 1/46; H01K 1/70; H01R 13/20;
H01R 2201/26; H01R 33/09; H01R 33/46;
H01R 33/90; H01R 33/94
USPC D13/133, 134, 149, 151, 154; D26/24,
D26/113; 313/318.01–318.05, 318.12;
362/260, 581; 439/79, 248, 258, 274,
439/35, 352, 353, 358, 359, 362, 378, 445,
439/447, 578, 584, 585, 656, 66, 676, 677,
439/678, 679, 68, 681, 682, 686

See application file for complete search history.

(56) **References Cited**

U.S. PATENT DOCUMENTS

3,805,211	A	*	4/1974	Moore	439/101
D324,373	S	*	3/1992	Kondo et al.	D13/134
D407,068	S	*	3/1999	Harada	D13/134
5,895,283	A	*	4/1999	Takanashi	439/336
D535,946	S	*	1/2007	Hayashi et al.	D13/133
D616,367	S	*	5/2010	Foo	D13/134
D682,209	S	*	5/2013	Henrink et al.	D13/133
2002/0061685	A1	*	5/2002	Aiso	439/699.2
2003/0218412	A1	*	11/2003	Shieh	313/318.01

* cited by examiner

Primary Examiner — Thomas Johannes

(74) *Attorney, Agent, or Firm* — Sughrue Mion, PLLC

(57) **CLAIM**

The ornamental design for a bulb socket, as shown and described.

DESCRIPTION

FIG. 1 is a front perspective view showing our new design;
FIG. 2 is a rear perspective view thereof;
FIG. 3 is a front view thereof;
FIG. 4 is a rear view thereof;
FIG. 5 is a left side view thereof;
FIG. 6 is a right side view thereof;
FIG. 7 is a top plan view thereof; and,
FIG. 8 is a bottom view thereof.
The broken lines show unclaimed elements.

1 Claim, 8 Drawing Sheets

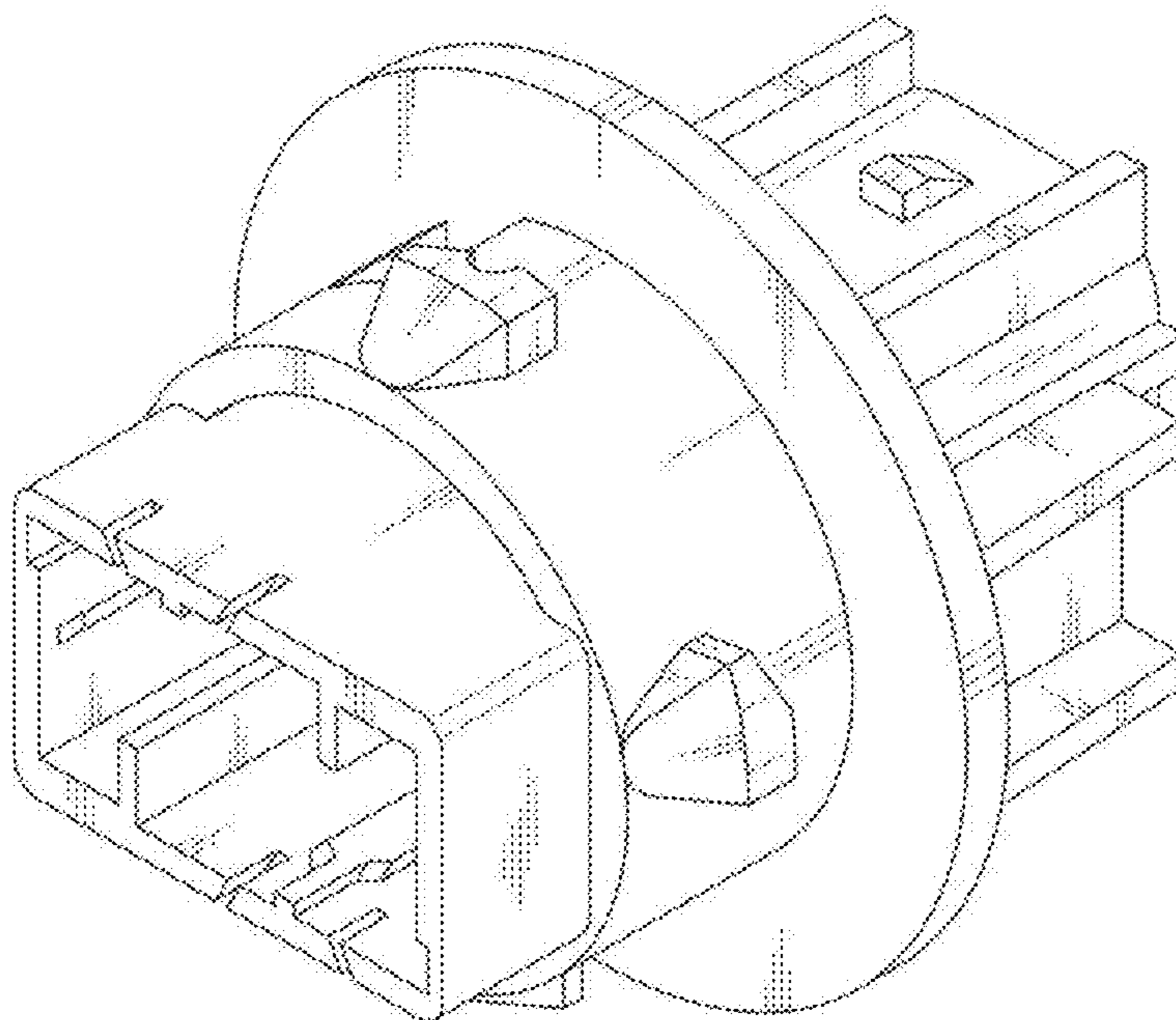


Fig. 1

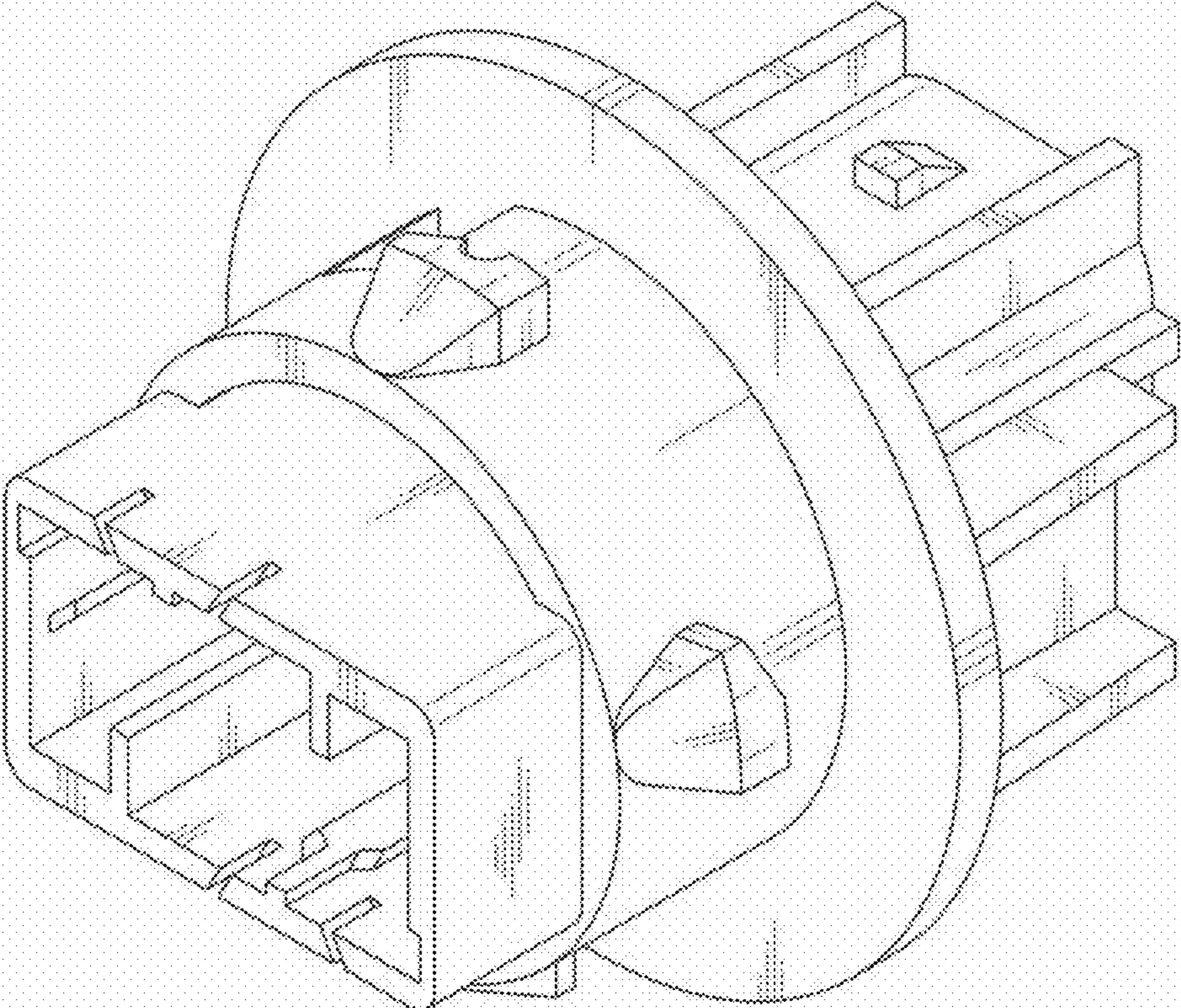


Fig. 2

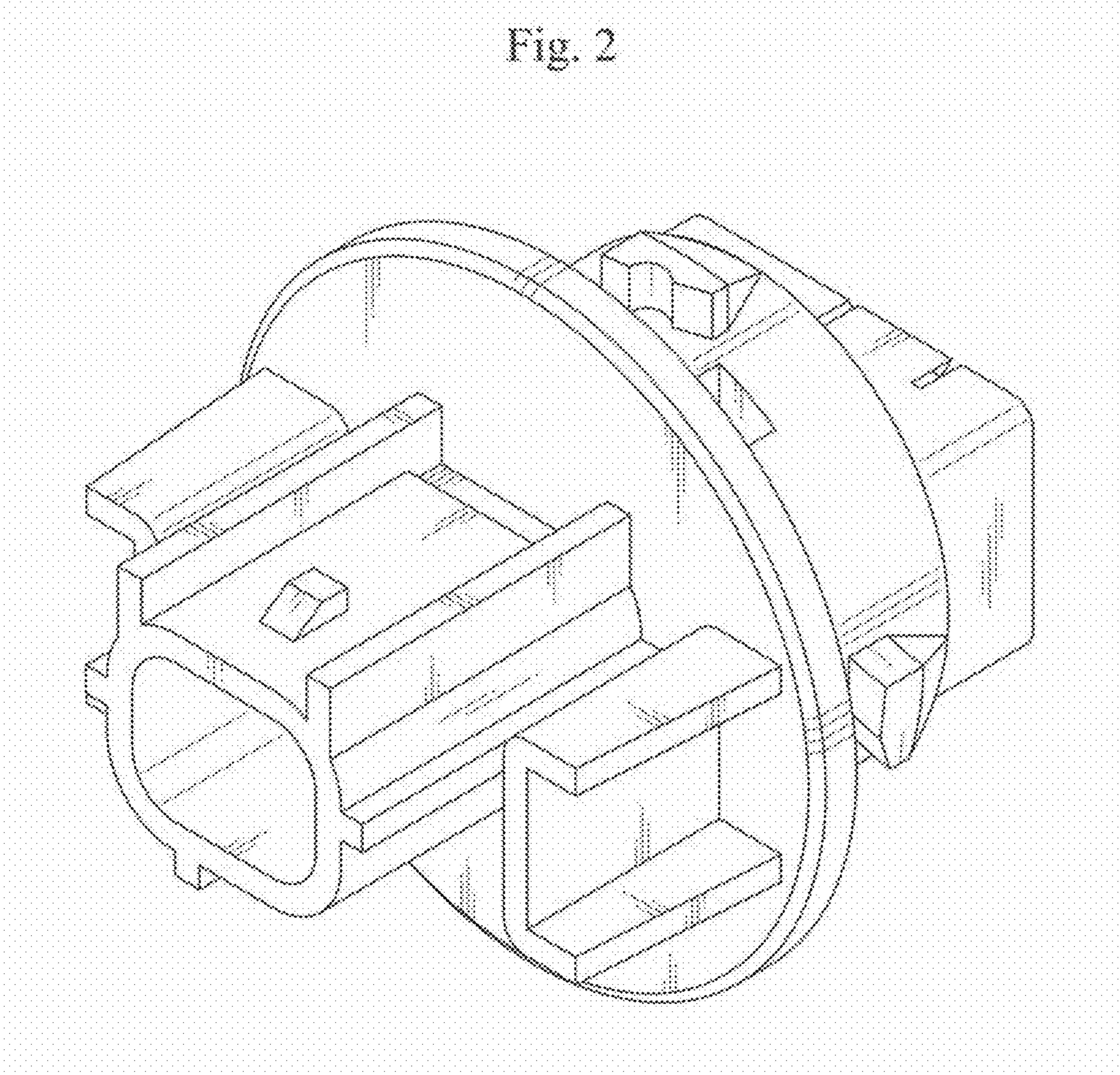


Fig. 3

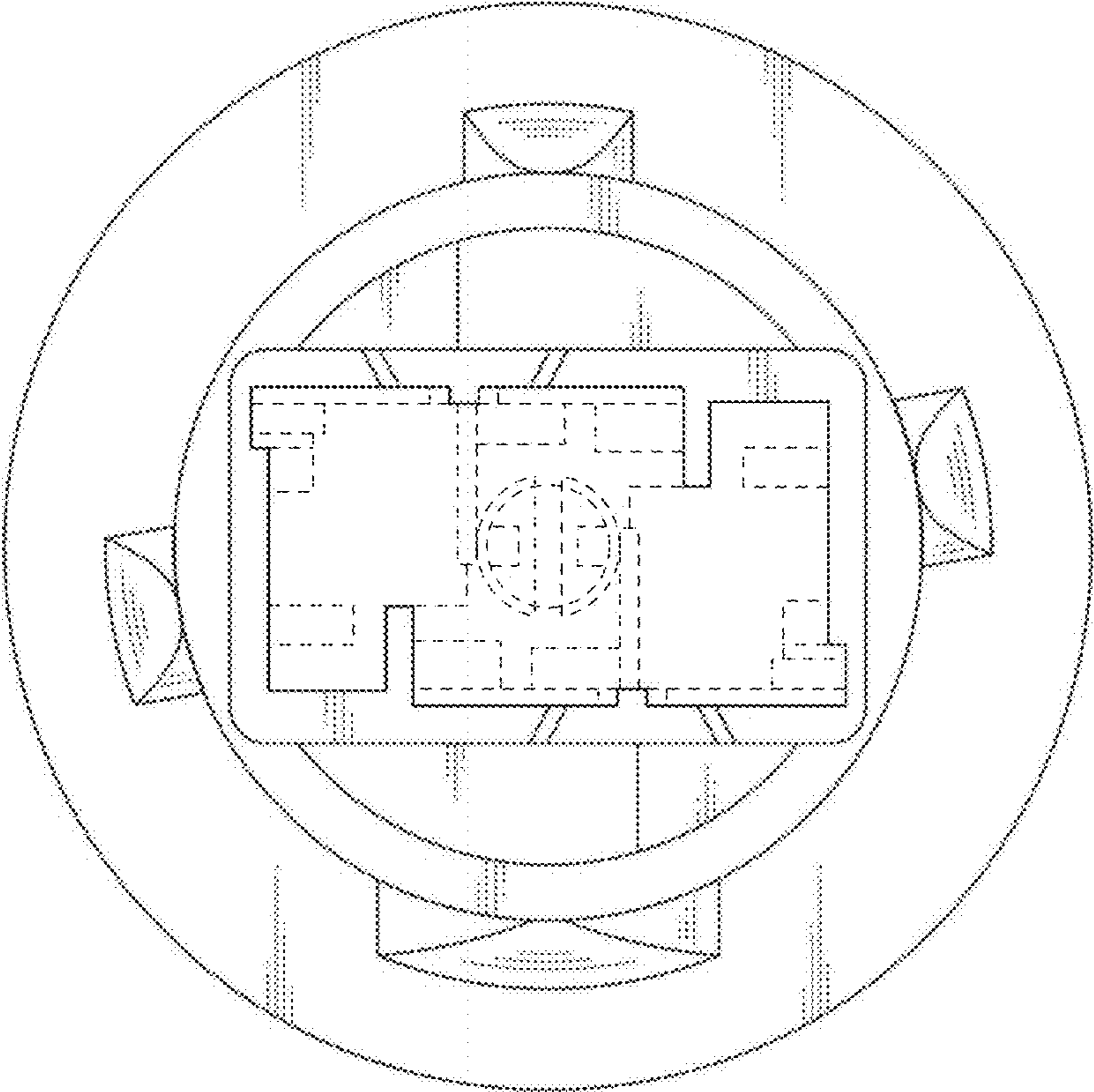


Fig. 4

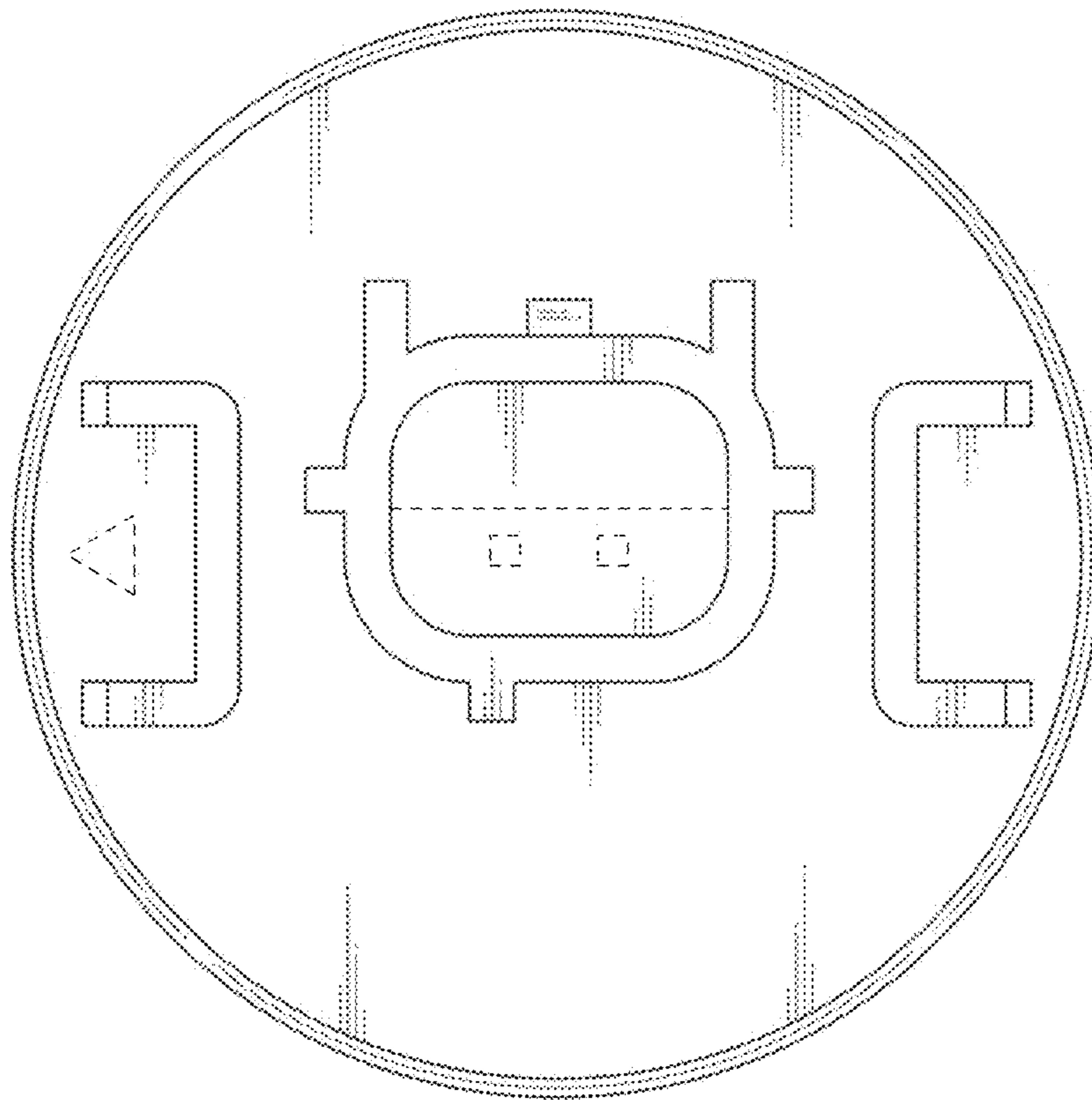


Fig. 5

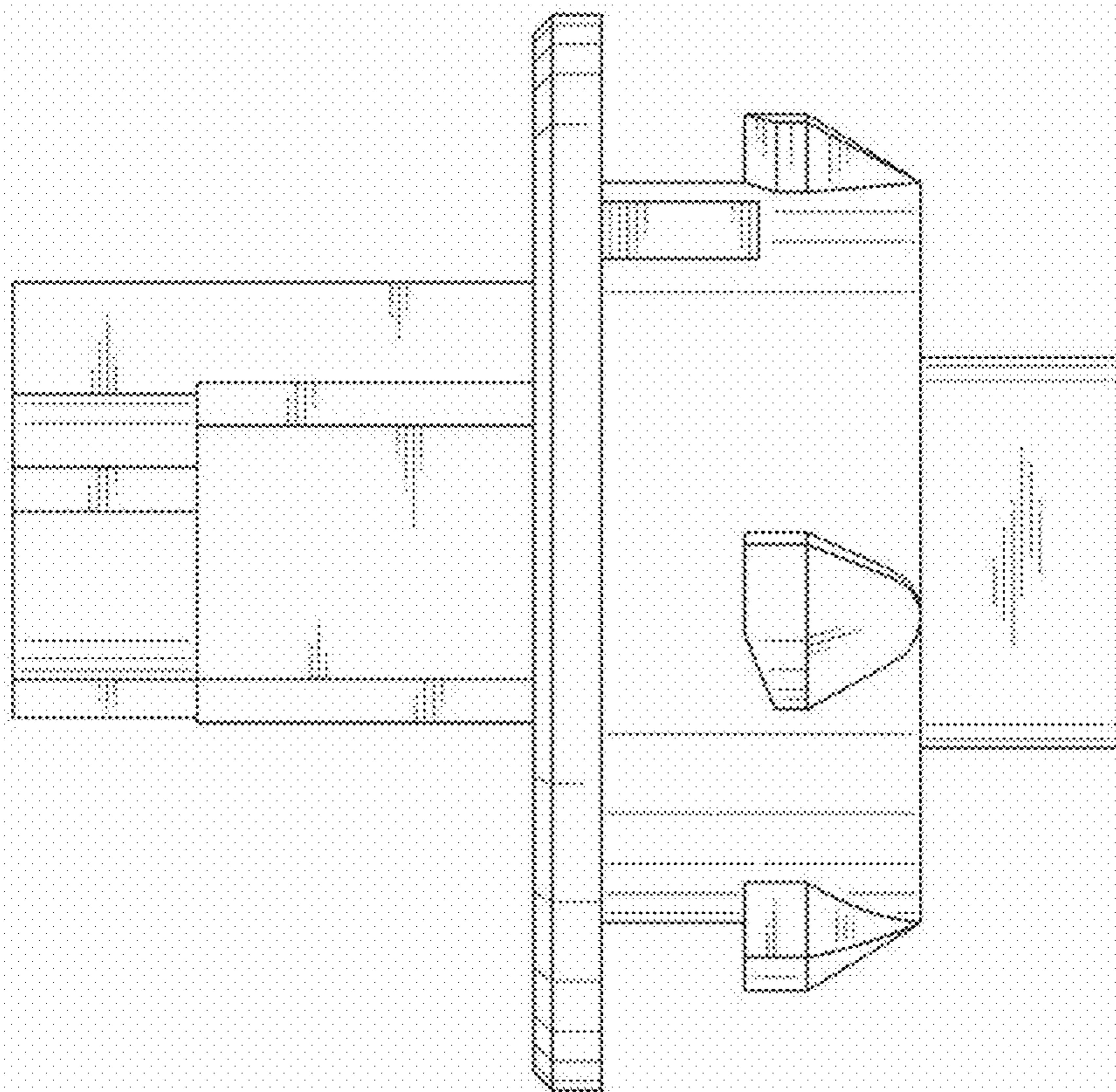


Fig. 6

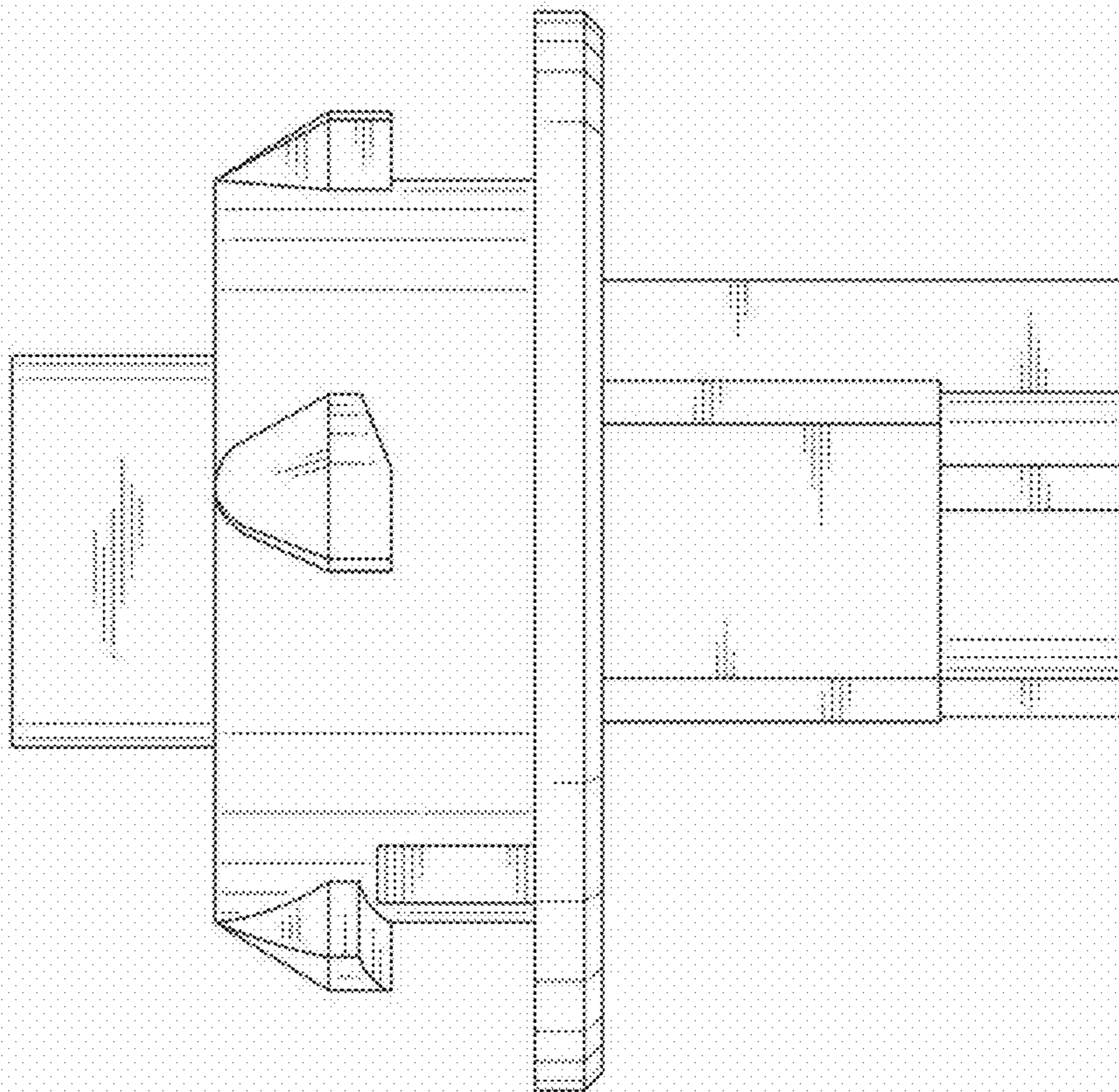


Fig. 7

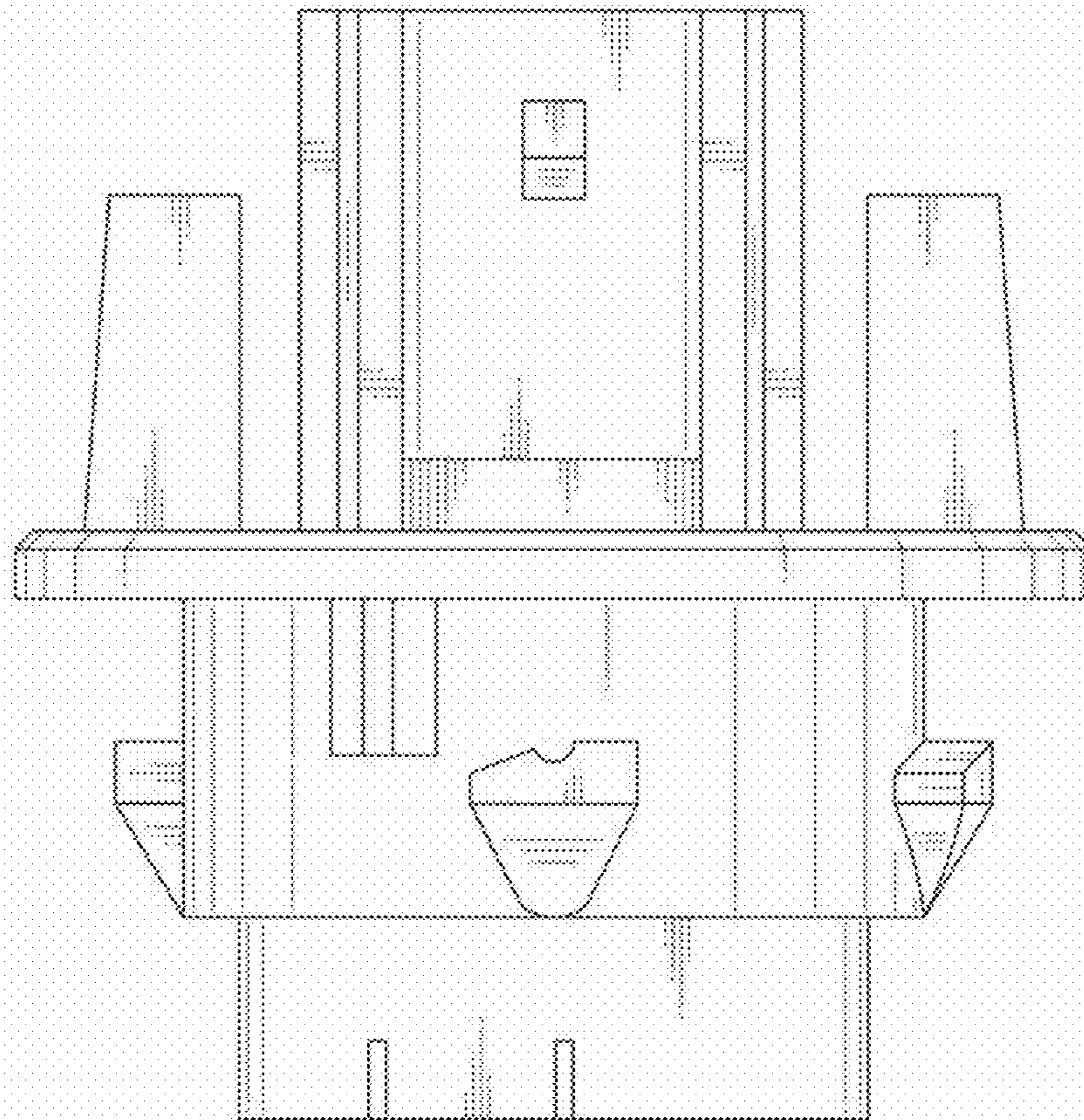


Fig. 8

