



US00D717246S

(12) **United States Design Patent**  
**Ilkhanov et al.**

(10) **Patent No.:** **US D717,246 S**

(45) **Date of Patent:** **\*\* Nov. 11, 2014**

(54) **MALE CONNECTOR WITH POGO PIN CONTACTS**

(56) **References Cited**

U.S. PATENT DOCUMENTS

(71) Applicants: **Azer Ilkhanov**, Brooklyn, NY (US);  
**Peter J. Burke**, East Northport, NY  
(US); **Sai Fung**, Melville, NY (US); **Leo  
Brenna**, Northport, NY (US)

4,611,873	A *	9/1986	Punako et al.	439/277
D524,741	S *	7/2006	Bihrer	D13/146
7,101,192	B1 *	9/2006	Bordeau et al.	439/66
D537,414	S *	2/2007	Saito	D13/146
D627,056	S *	11/2010	Quensel	D24/107
D648,748	S *	11/2011	Chu	D15/9
D658,586	S *	5/2012	Lin	D13/146
8,257,101	B2 *	9/2012	Ichio	439/206
D678,914	S *	3/2013	Chen	D15/9
D685,004	S *	6/2013	Chen	D15/9
D694,273	S *	11/2013	Chen	D15/9

(72) Inventors: **Azer Ilkhanov**, Brooklyn, NY (US);  
**Peter J. Burke**, East Northport, NY  
(US); **Sai Fung**, Melville, NY (US); **Leo  
Brenna**, Northport, NY (US)

\* cited by examiner

(73) Assignee: **Bren-Tronics, Inc.**, Commack, NY (US)

*Primary Examiner* — Adir Aronovich

(\*\*) Term: **14 Years**

*Assistant Examiner* — Ramzi Almatrahi

(21) Appl. No.: **29/439,313**

(74) *Attorney, Agent, or Firm* — Keusey & Associates, P.C.

(22) Filed: **Dec. 10, 2012**

(57) **CLAIM**

(51) **LOC (10) Cl.** ..... **13-03**

The ornamental design for a male connector with pogo pin contacts, as shown and described.

(52) **U.S. Cl.**

**DESCRIPTION**

USPC ..... **D13/120**

(58) **Field of Classification Search**

CPC ..... H01R 23/722; H01R 13/5227; H01R  
13/5219; H01R 23/005; H01R 23/025  
USPC ..... D13/118, 119, 120, 133, 134, 146, 147,  
D13/154, 149, 184, 199; D15/9; 439/66,  
439/206, 277, 278, 353, 374, 378, 379, 488,  
439/527, 533, 586, 595, 597, 598, 600, 682,  
439/685, 752, 894; 277/650; D24/107

FIG. 1 is a top, back, and right side perspective view of a male connector with pogo pin contacts showing our new design.

FIG. 2 is a top plan view thereof.

FIG. 3 is a left side elevational view thereof.

FIG. 4 is a front side elevational view thereof.

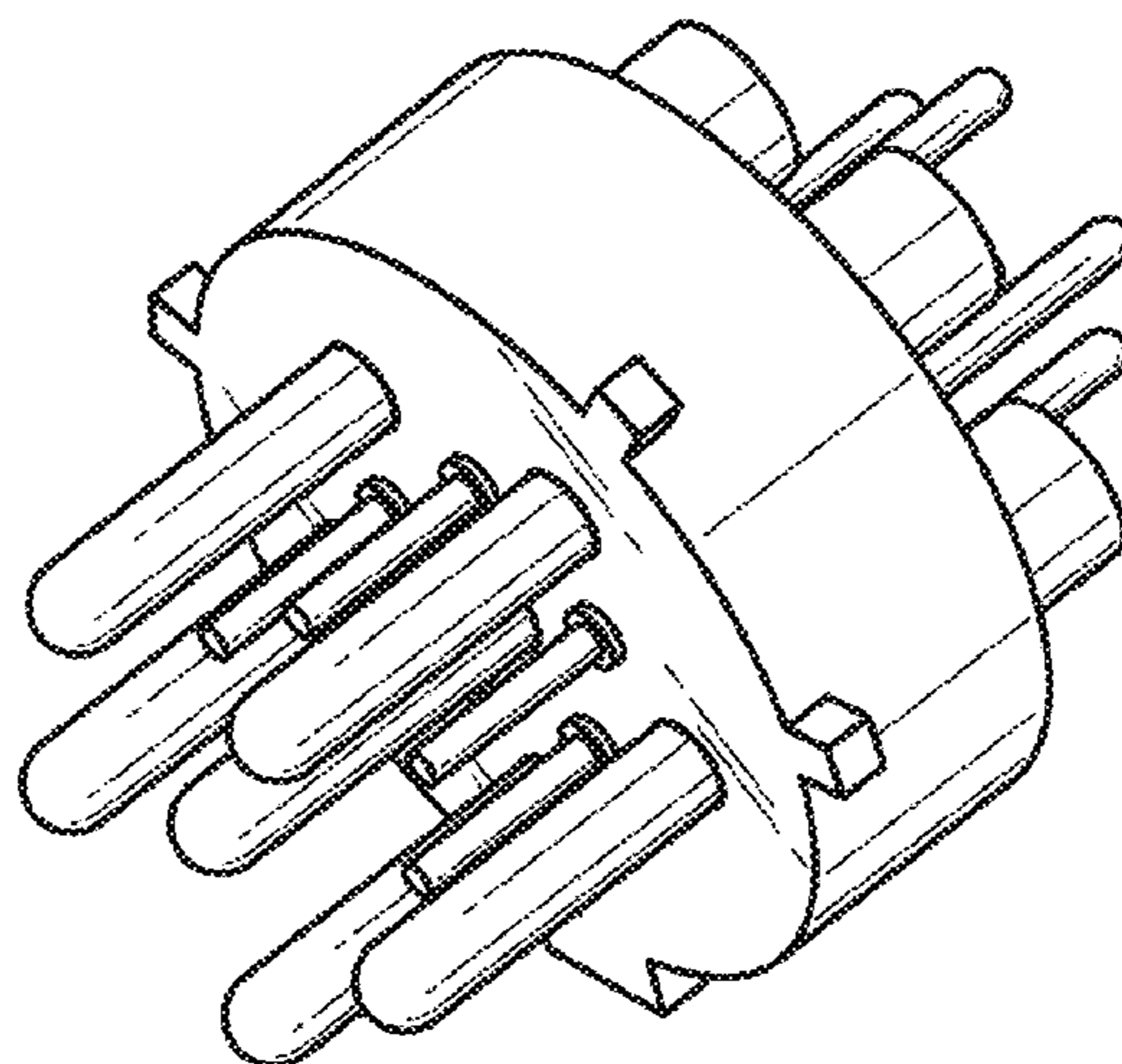
FIG. 5 is a right side elevational view thereof.

FIG. 6 is a back side elevational view thereof; and,

FIG. 7 is a bottom plan view thereof.

See application file for complete search history.

**1 Claim, 3 Drawing Sheets**



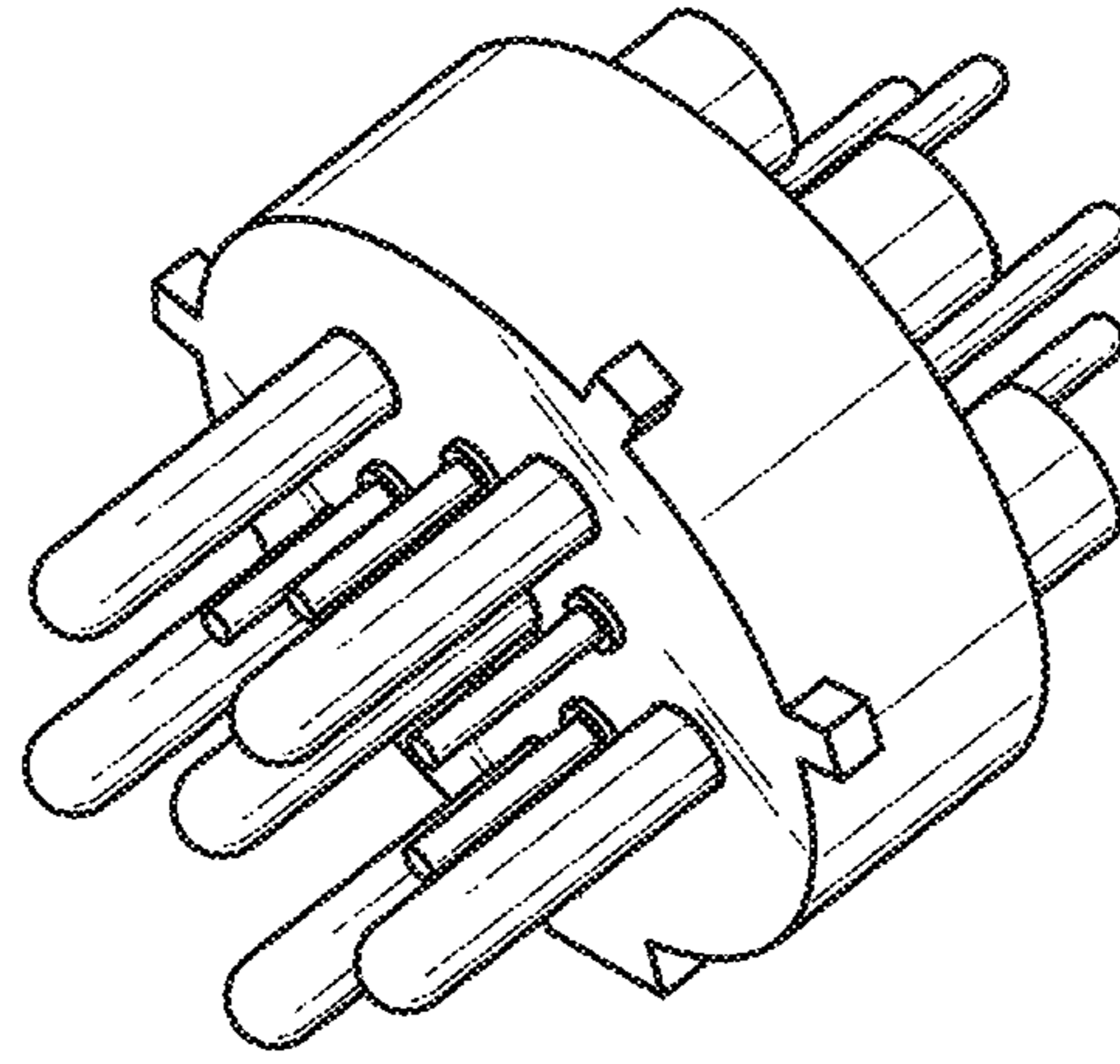


FIG. 1

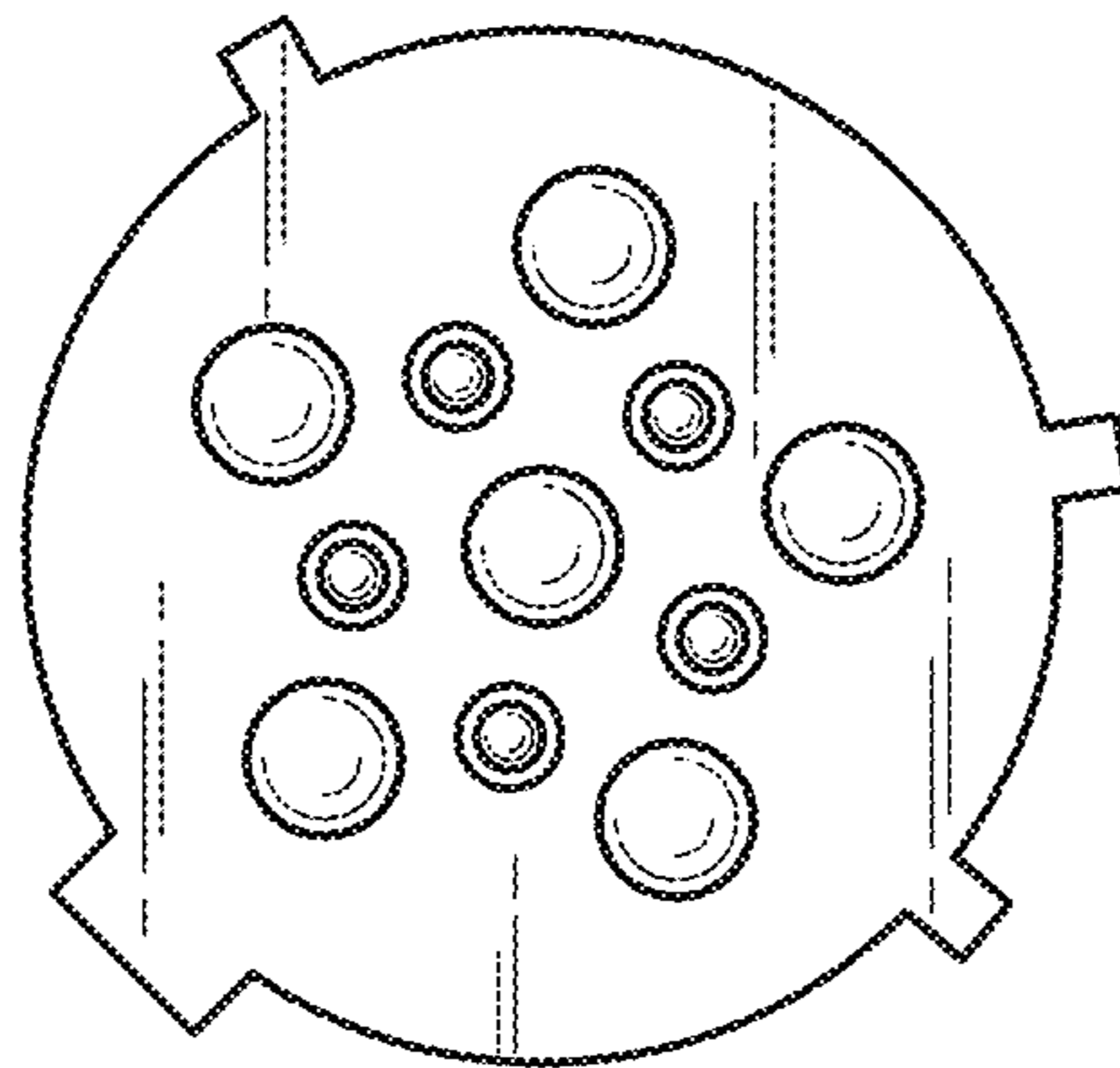


FIG. 2

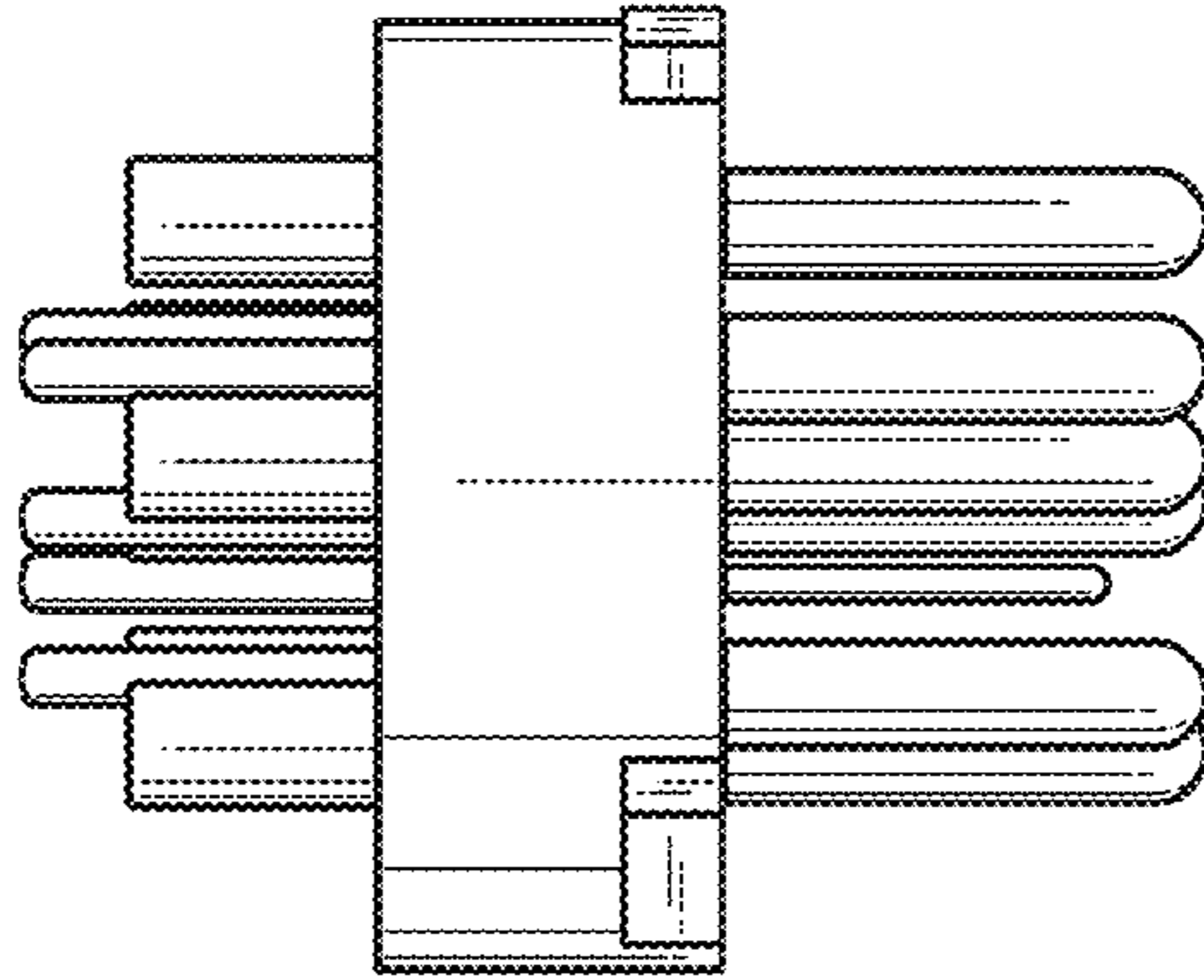


FIG. 3

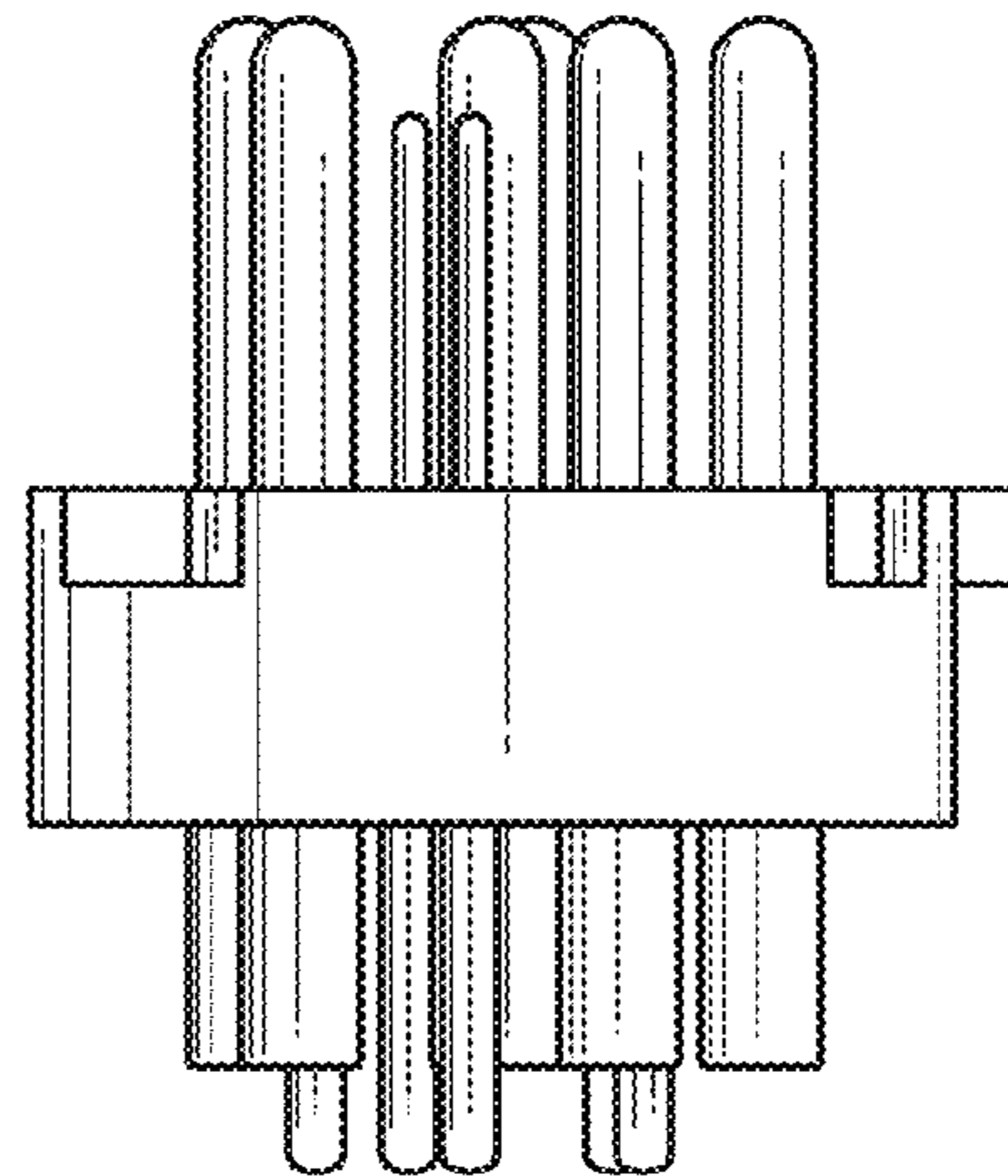


FIG. 4

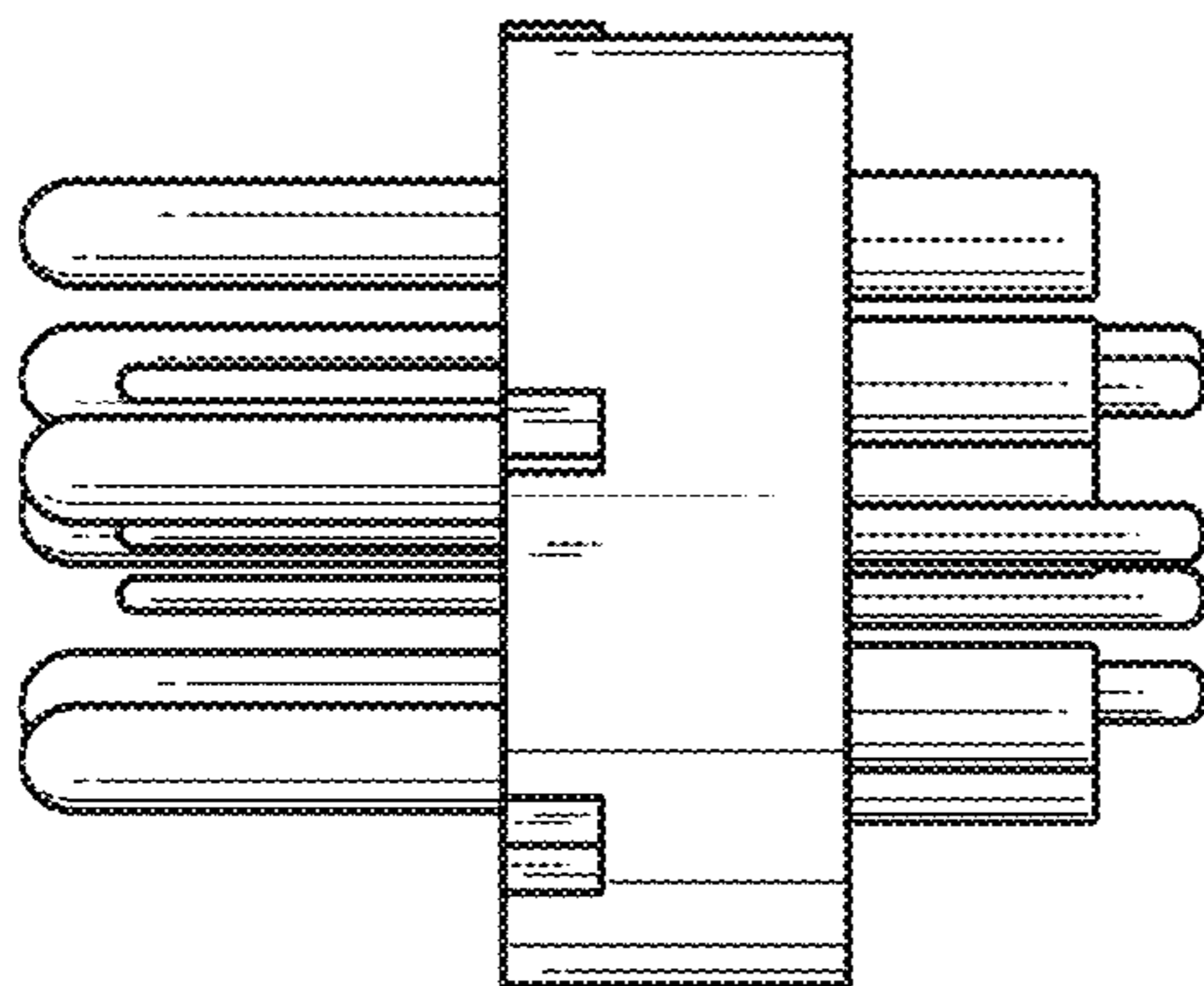


FIG. 5

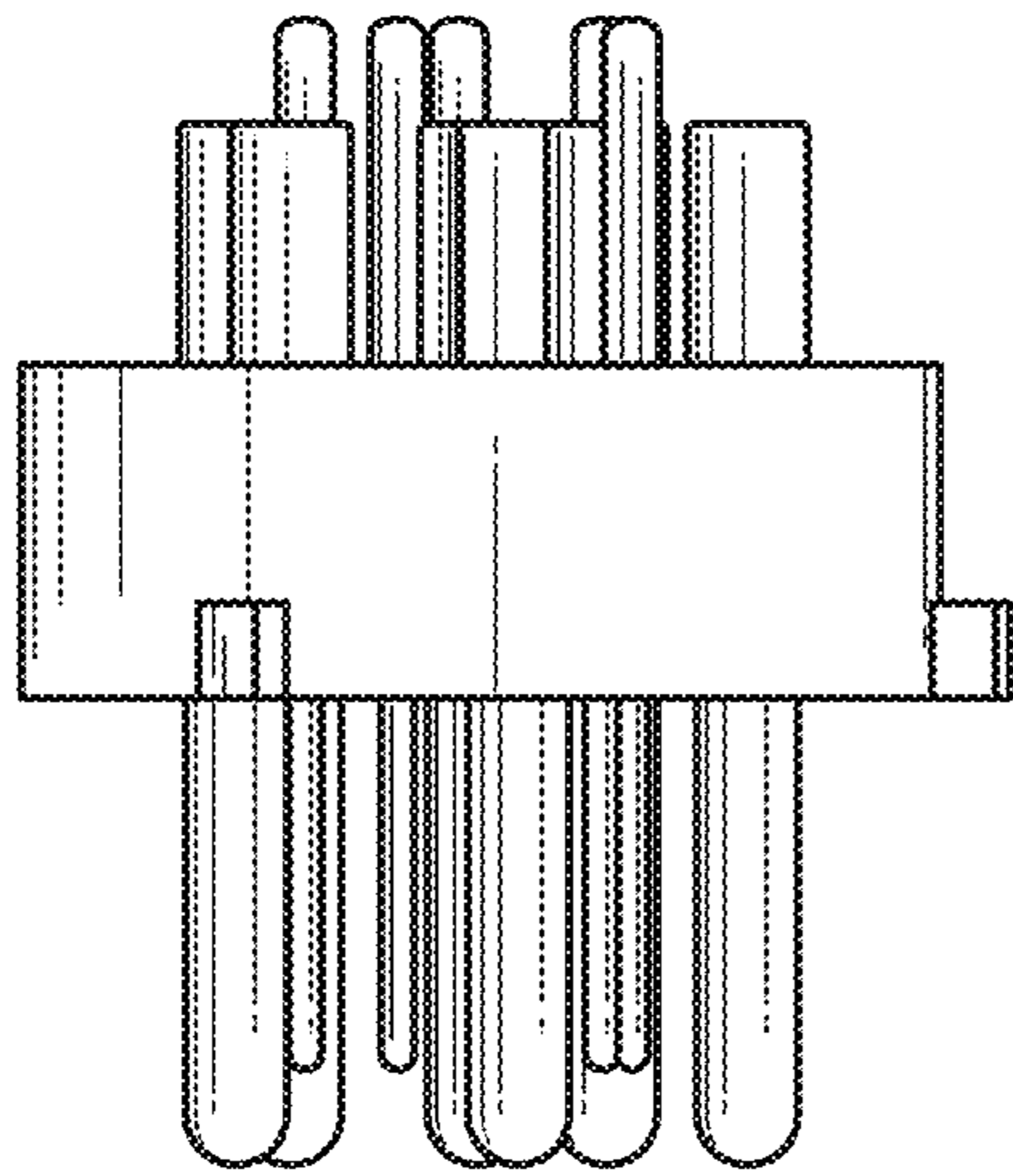


FIG. 6

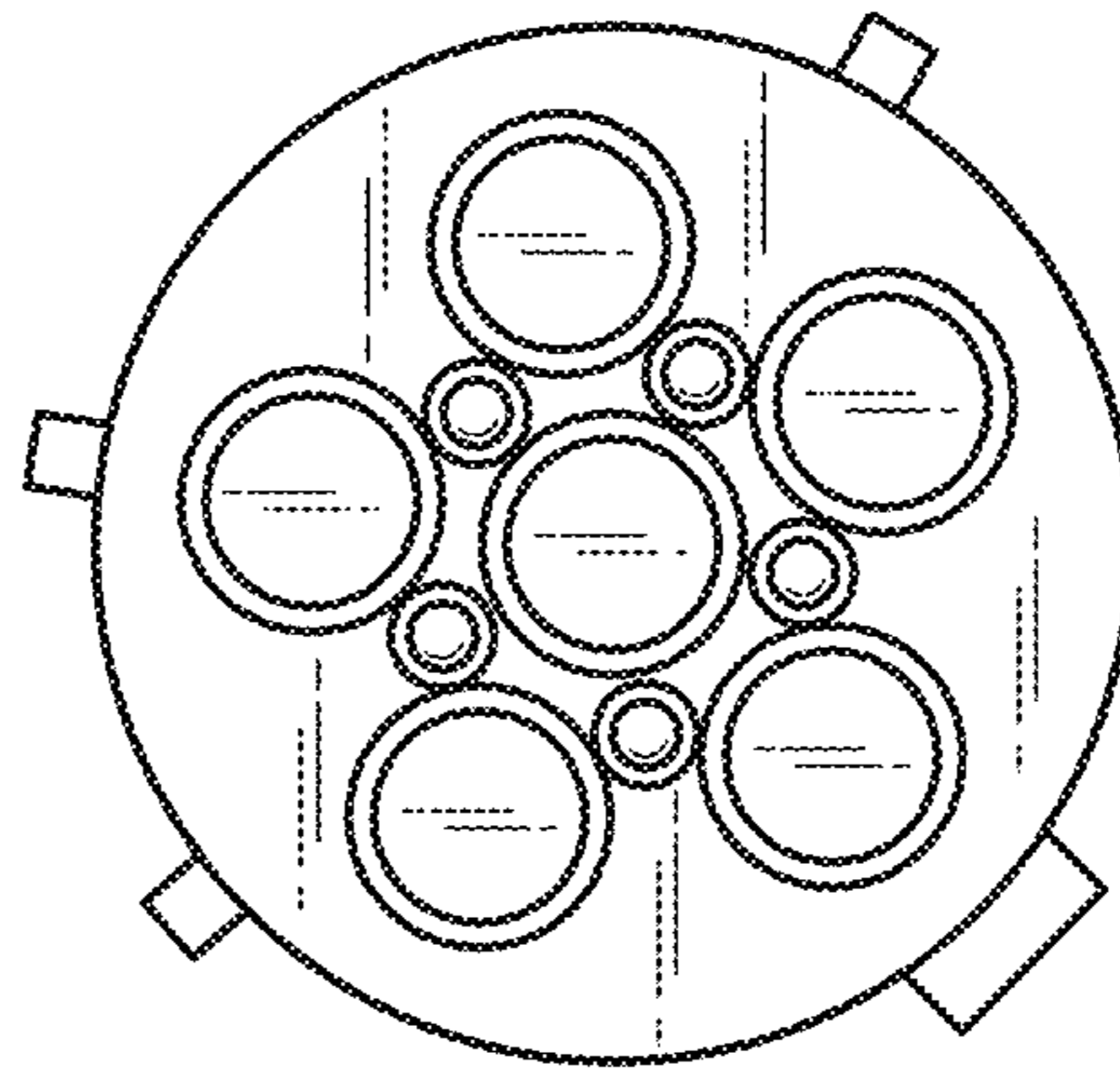


FIG. 7