



US00D717244S

(12) **United States Design Patent**
Reishus et al.

(10) **Patent No.:** **US D717,244 S**
(45) **Date of Patent:** **** Nov. 11, 2014**

(54) **CHARGER FOR POWERED BRUSH HANDLE**

(71) Applicant: **L’Oreal USA Creative, Inc.**, New York, NY (US)

(72) Inventors: **Richard Allen Reishus**, Renton, WA (US); **Joel Timothy Aragon**, Snohomish, WA (US); **Suk Ping Wong**, Sammamish, WA (US); **Richard Hanks**, Seattle, WA (US); **Adam Weisgerber**, Kirkland, WA (US); **Michele Snyder**, Redmond, WA (US); **Patrick Jones**, Redmond, WA (US); **Lisa Nguyen**, Redmond, WA (US); **Joseph E. Skidmore**, Issaquah, WA (US)

(73) Assignee: **L’Oreal USA Creative, Inc.**, New York, NY (US)

(**) Term: **14 Years**

(21) Appl. No.: **29/489,089**

(22) Filed: **Apr. 25, 2014**

(51) **LOC (10) Cl.** **13-02**

(52) **U.S. Cl.**
USPC **D13/108**

(58) **Field of Classification Search**
USPC D13/107–110, 118–119, 184, 199;
D14/251, 253, 432, 434; 320/107–115,
320/128, 137–140
See application file for complete search history.

(56) **References Cited**

U.S. PATENT DOCUMENTS

D508,458 S *	8/2005	Solland et al.	D13/108
D521,927 S *	5/2006	Franck et al.	D13/108
D524,282 S *	7/2006	Beasley et al.	D14/149
D526,973 S *	8/2006	Gates et al.	D13/184
D527,704 S *	9/2006	Rodarte	D13/108
D537,409 S *	2/2007	Suzuki	D13/108
D558,207 S *	12/2007	Ikeda et al.	D14/434
D558,208 S *	12/2007	Ikeda et al.	D14/434

D558,209 S *	12/2007	Ikeda et al.	D14/434
D585,898 S *	2/2009	Skurdal	D14/434
7,710,071 B2 *	5/2010	Elizalde Rodarte	320/115
D627,718 S *	11/2010	Houghton	D13/108
7,839,120 B2 *	11/2010	Elizalde Rodarte	320/115
D640,248 S *	6/2011	Baumann et al.	D14/253
8,188,842 B2 *	5/2012	Otsuka et al.	340/12.22
D701,831 S *	4/2014	Park et al.	D13/108
D706,212 S *	6/2014	Zwierstra et al.	D13/107

OTHER PUBLICATIONS

“Skin Optimizing Platform™,” Elizabeth Arden, Inc. marketing materials, 72nd Annual Meeting of the American Academy of Dermatology, Denver, Colorado, Mar. 21-25, 2014, 2 pages.
“NutraSonic Comet Facial Beauty Tool Set: White,” NutraLuxe MD®, Fort Myers, Fla., <<http://www.nutraluxemd.com/nutrasonic-comet-facial-beauty-tool-set-white/>>, as early as May 2009, 3 pages.

* cited by examiner

Primary Examiner — Rosemary K Tarcza

(74) *Attorney, Agent, or Firm* — Christensen O’Connor Johnson Kindness PLLC

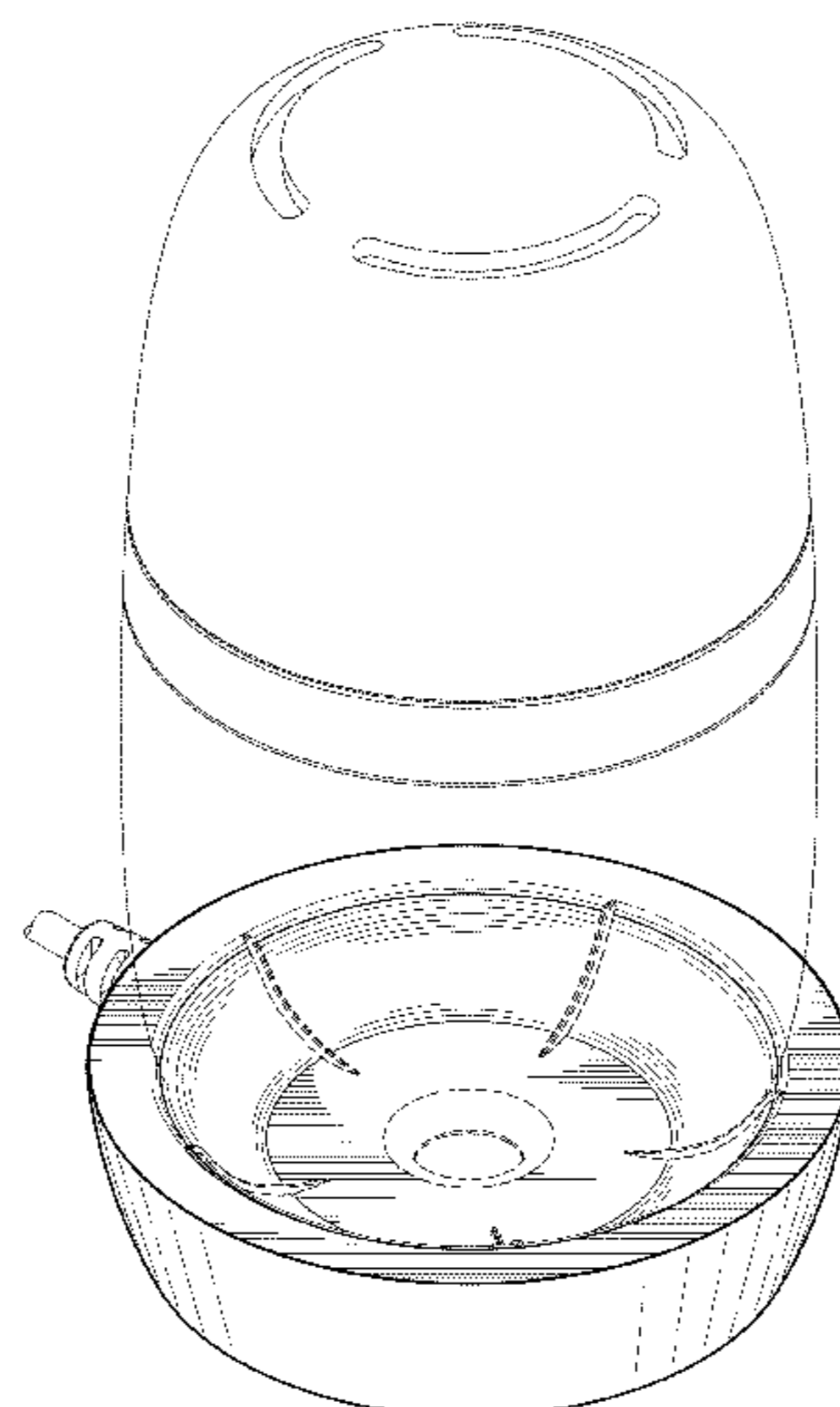
(57) **CLAIM**

The ornamental design for a charger for powered brush handle, as shown and described.

DESCRIPTION

FIG. 1 is a top front right perspective view of the charger for powered brush handle in accordance with our new design; FIG. 2 is a top plan view thereof; FIG. 3 is a bottom plan view thereof; FIG. 4 is a front elevation view thereof; FIG. 5 is a rear elevation view thereof; FIG. 6 is a left side elevation view thereof; and, FIG. 7 is a right side elevation view thereof. The broken lines immediately adjacent the shaded areas represent the bounds of the claimed design while all other broken lines are directed to environment and are for illustrative purposes only. The broken lines form no part of the claimed design.

1 Claim, 3 Drawing Sheets



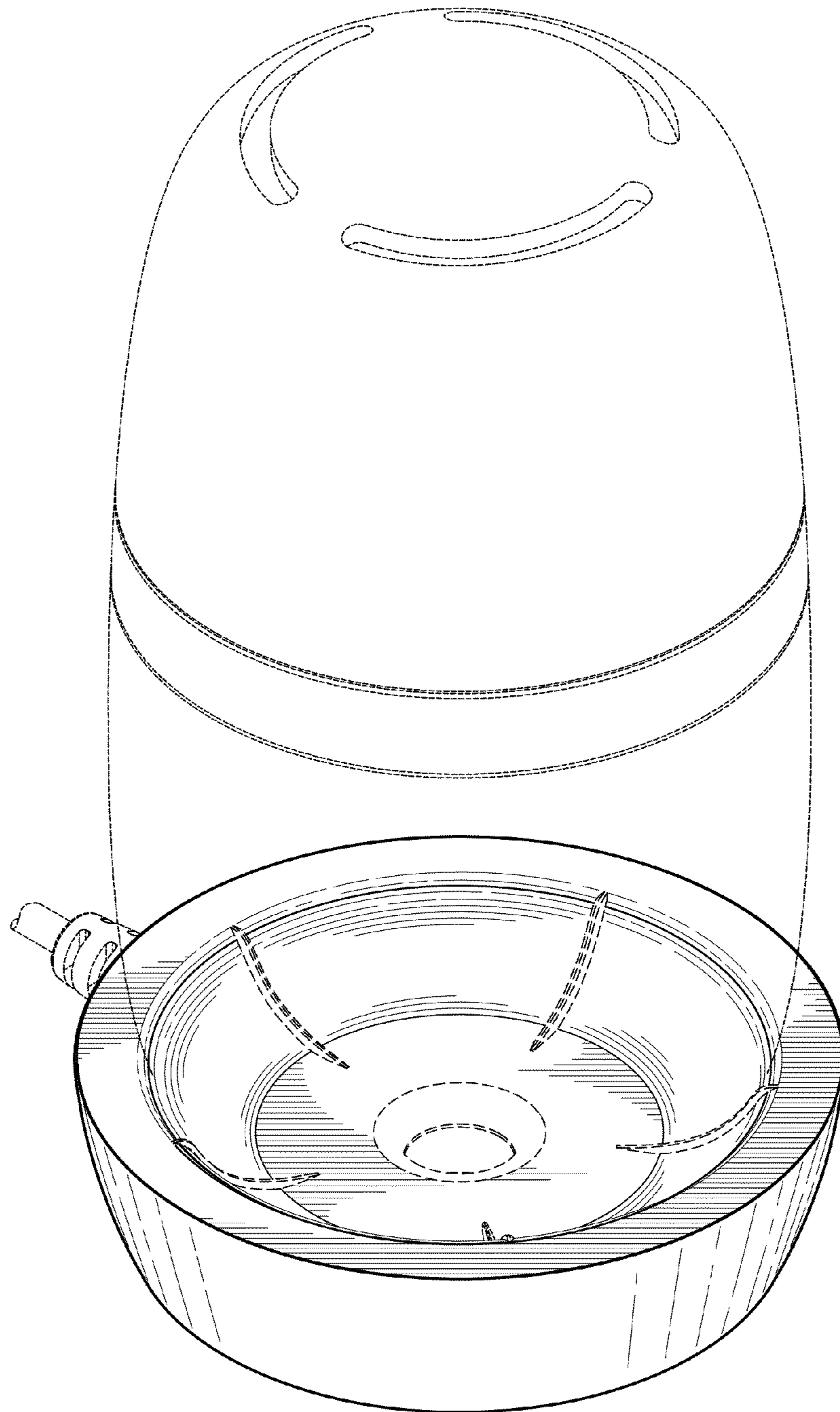


Fig. 1.

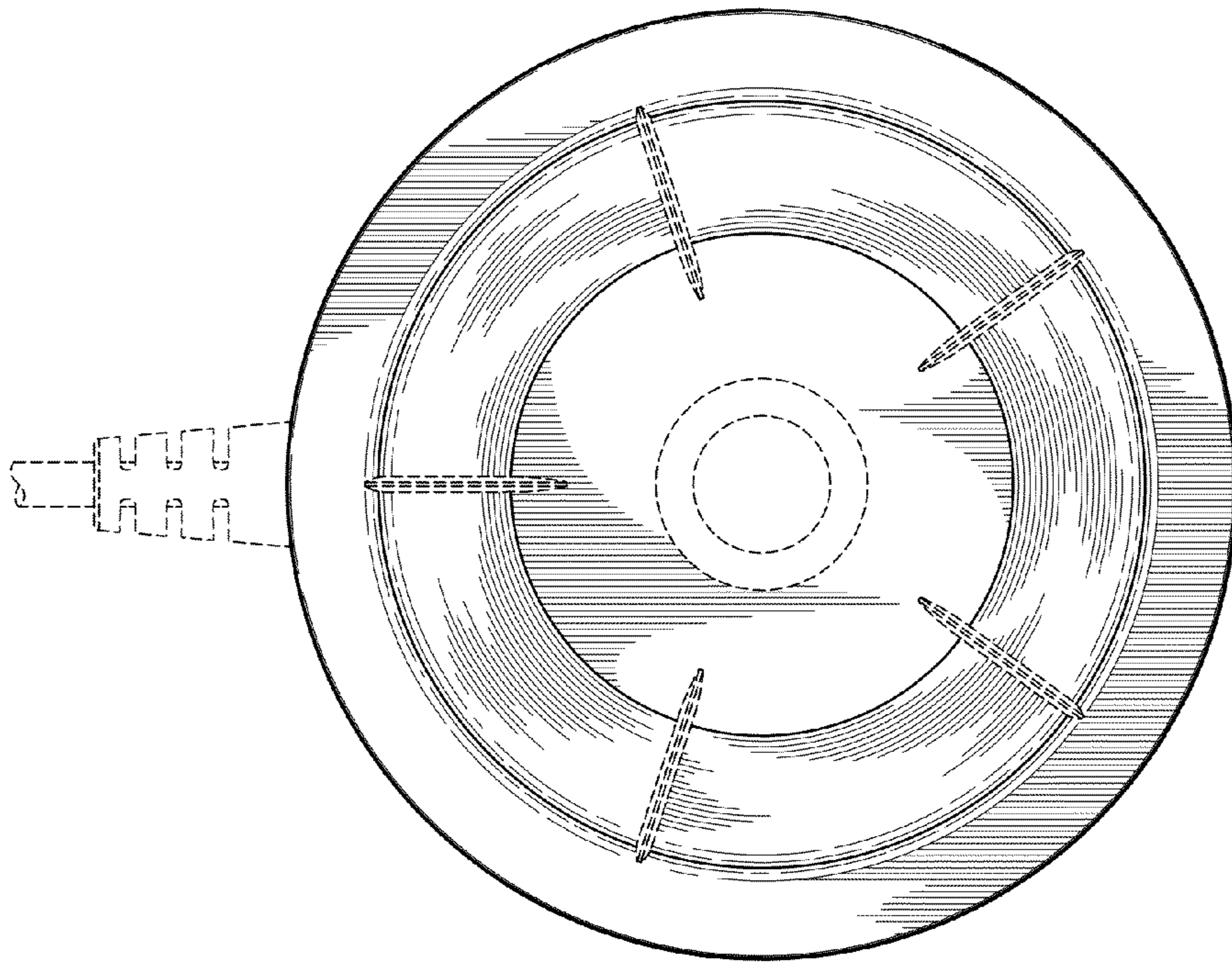


Fig. 2.

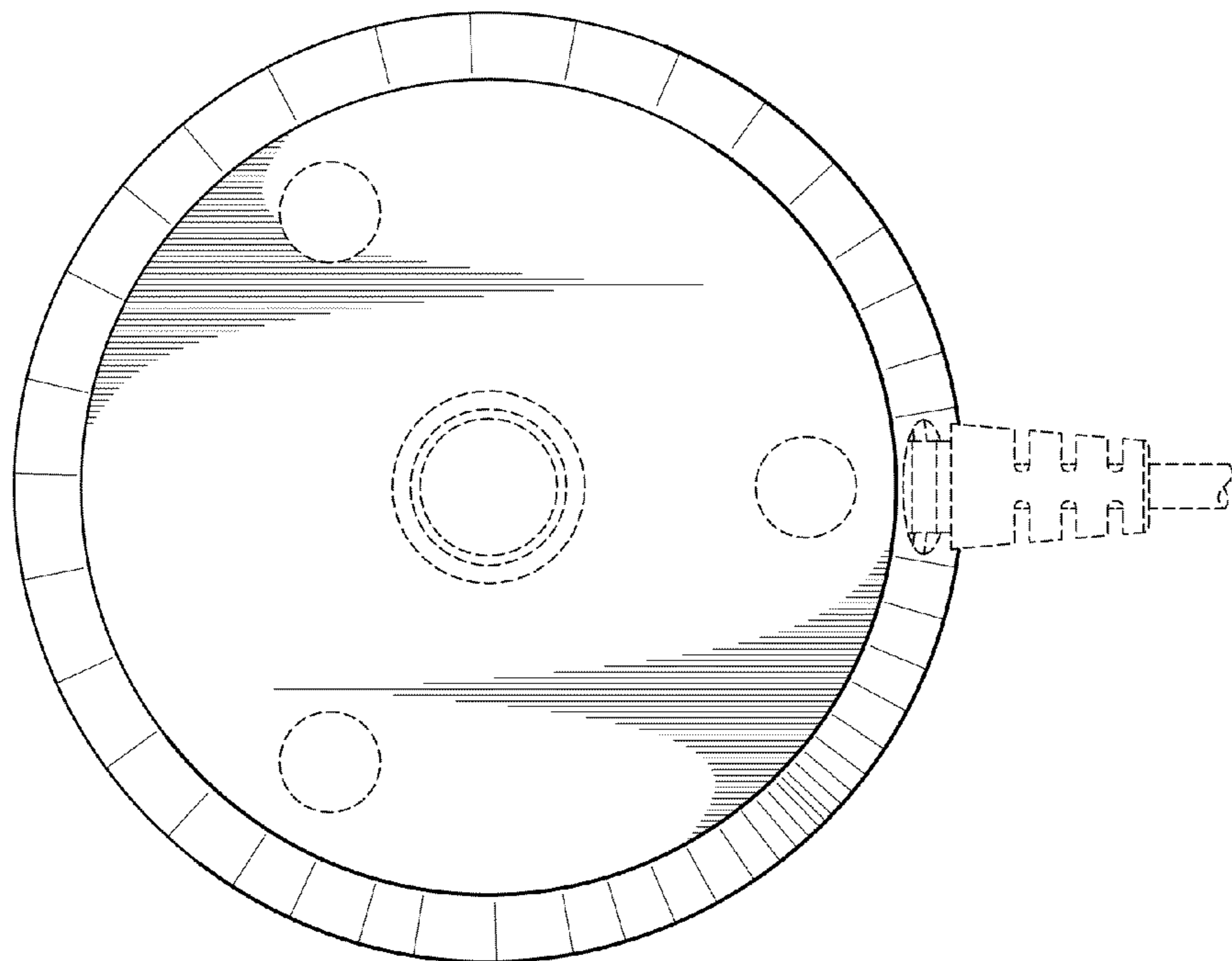


Fig. 3.

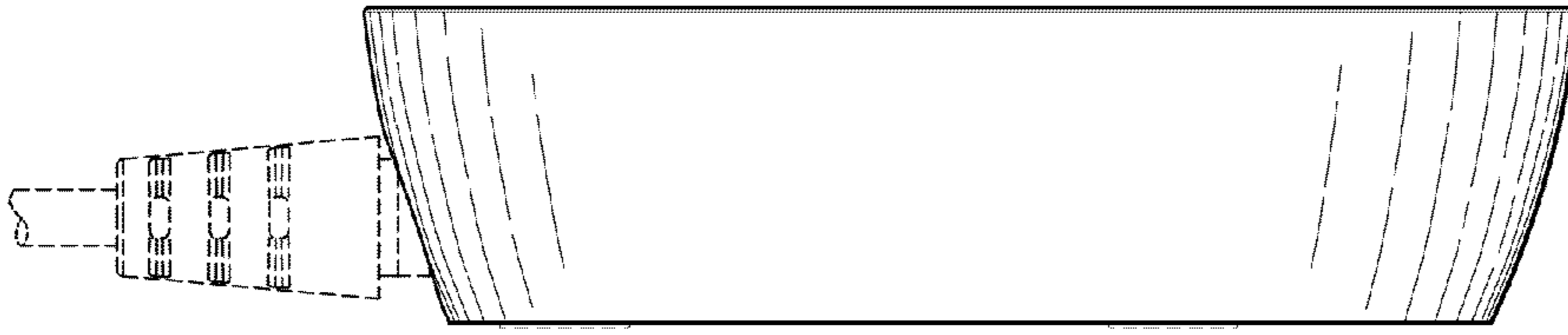


Fig. 4.

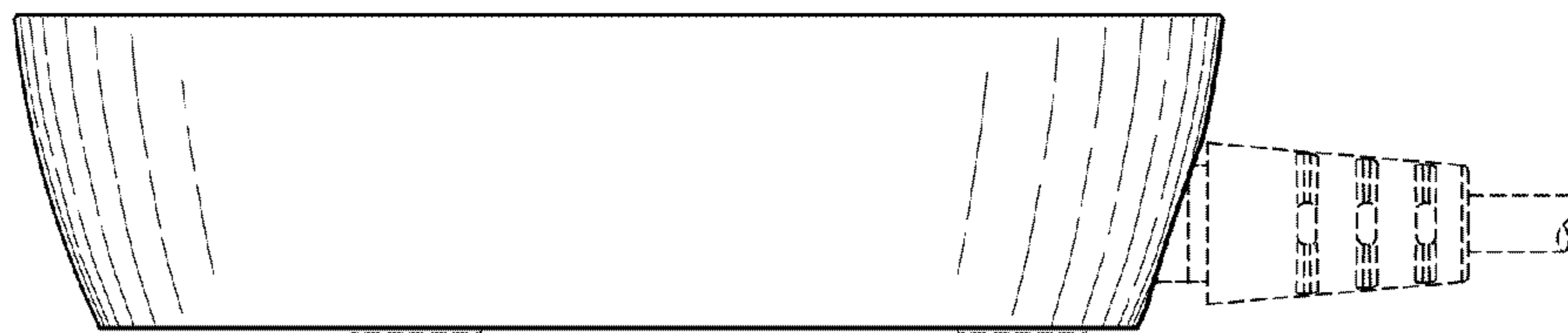


Fig. 5.

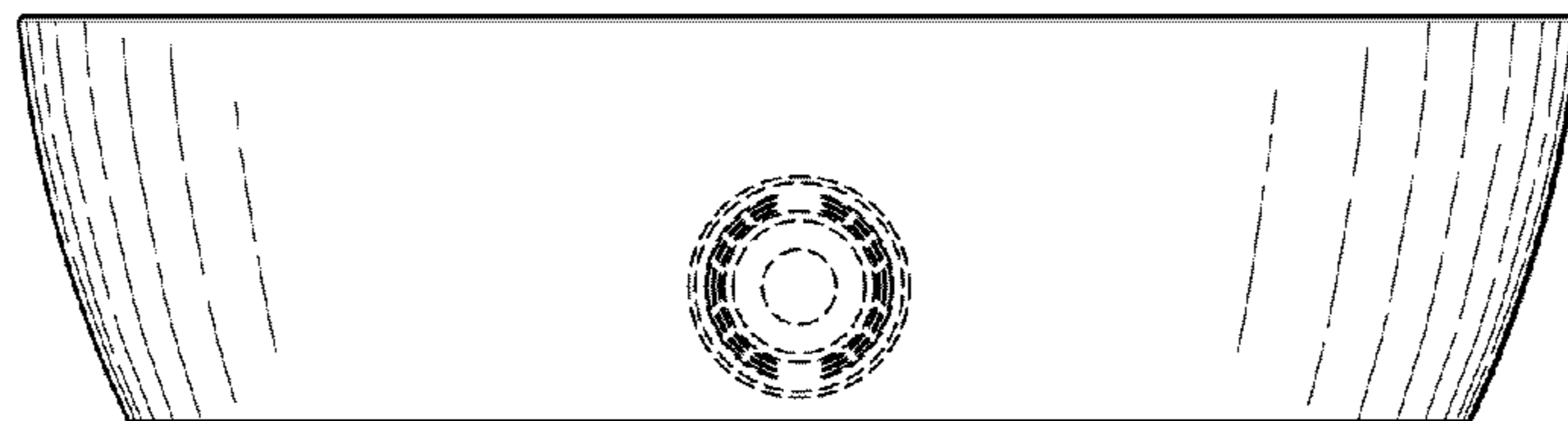


Fig. 6.

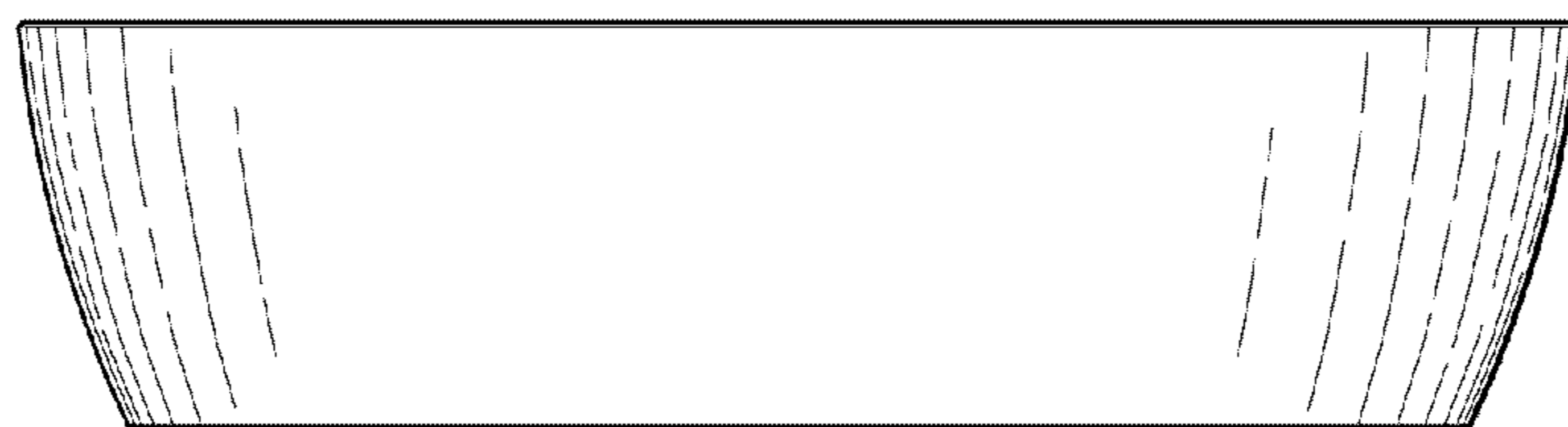


Fig. 7.