



US00D717230S

(12) **United States Design Patent**  
**Fichter**

(10) **Patent No.:** **US D717,230 S**

(45) **Date of Patent:** **\*\* Nov. 11, 2014**

(54) **BED BAR LIGHT FRAME**

*Primary Examiner* — Katrina A Betton

(71) Applicant: **Thomas Fichter**, Houston, TX (US)

(57) **CLAIM**

The ornamental design for a bed bar light frame, as shown and described.

(72) Inventor: **Thomas Fichter**, Houston, TX (US)

(\*\*) Term: **14 Years**

**DESCRIPTION**

(21) Appl. No.: **29/464,653**

FIG. 1 is a perspective view of a bed bar light frame.  
FIG. 2 is a perspective view of a bed bar light frame in position on a vehicle.

(22) Filed: **Aug. 20, 2013**

(51) **LOC (10) Cl.** ..... **12-16**

(52) **U.S. Cl.**  
USPC ..... **D12/414**

(58) **Field of Classification Search**  
USPC ..... D12/414; D32/35, 58; D6/317-319,  
D6/513-514; 206/213, 8, 9, 279, 290, 713,  
206/335

FIG. 3 is a rear elevation view of bed bar light frame;  
FIG. 4 is a front elevation view of bed bar light frame;  
FIG. 5 is top plan view of the bed bar light frame  
FIG. 6 is a bottom plan view of a bed bar light frame  
FIG. 7 is view of a the first side elevation of a bed bar light frame;  
FIG. 8 is a view of a second side elevation of a bed bar light frame

See application file for complete search history.

FIG. 9 is a perspective view of an alternative mode of a bed bar light frame with a lower horizontal member.

(56) **References Cited**

**U.S. PATENT DOCUMENTS**

|                |        |               |       |         |
|----------------|--------|---------------|-------|---------|
| D244,268 S *   | 5/1977 | Hinch         | ..... | D12/412 |
| D306,003 S *   | 2/1990 | Berkan, Jr.   | ..... | D12/414 |
| D398,284 S *   | 9/1998 | Carter et al. | ..... | D12/406 |
| D436,915 S *   | 1/2001 | Burger        | ..... | D12/406 |
| D444,446 S *   | 7/2001 | Carter        | ..... | D12/406 |
| 7,641,251 B1 * | 1/2010 | Stepanians    | ..... | 296/3   |
| D639,231 S *   | 6/2011 | Walsh         | ..... | D12/414 |
| D655,238 S *   | 3/2012 | Vu            | ..... | D12/406 |

FIG. 10 is a perspective view of an alternative mode of a bed bar light frame in position on a vehicle.

FIG. 11 is a rear elevation view of an alternative mode of bed bar light frame;

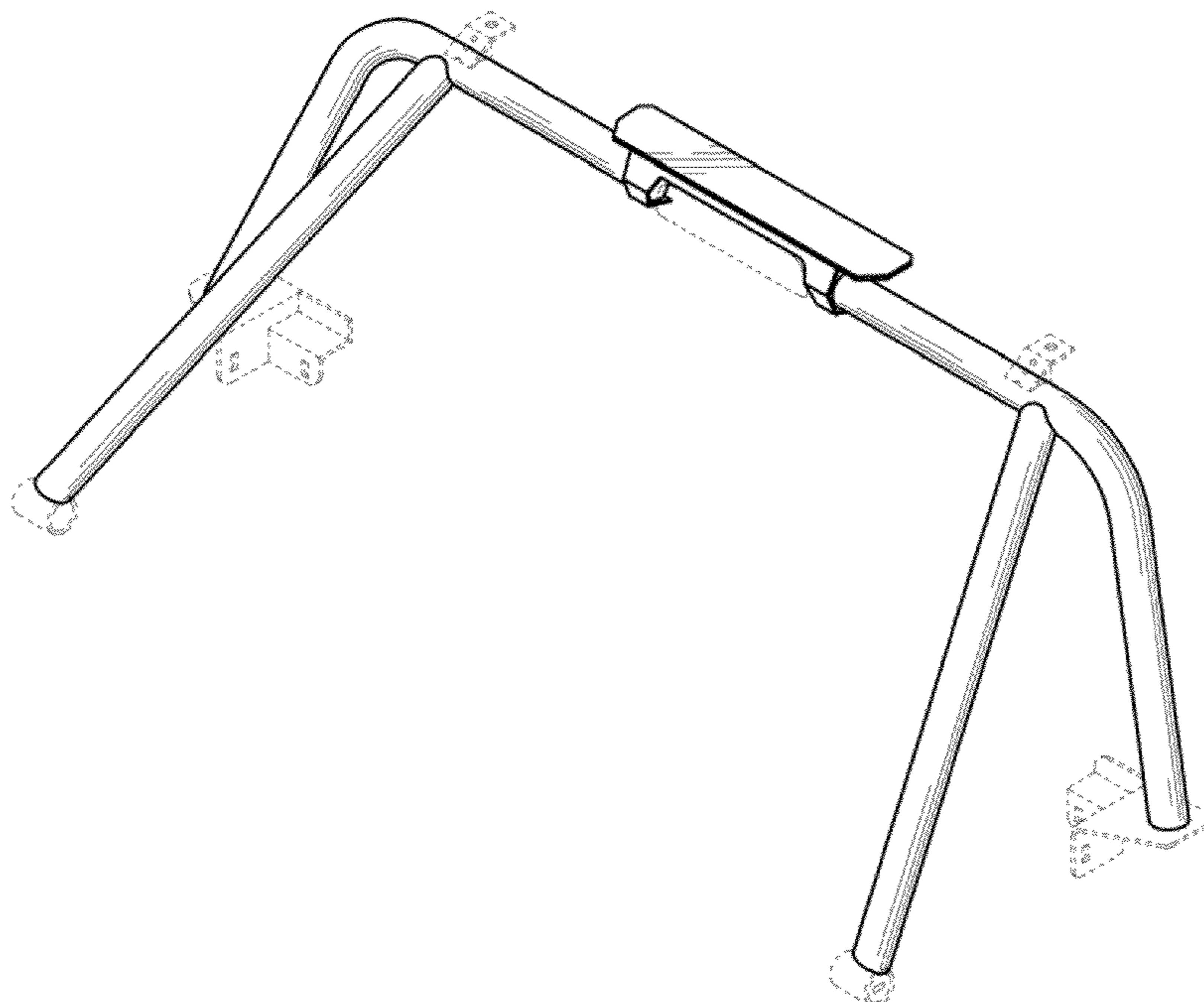
FIG. 12 is a front elevation view of an alternative mode of bed bar light frame; and,

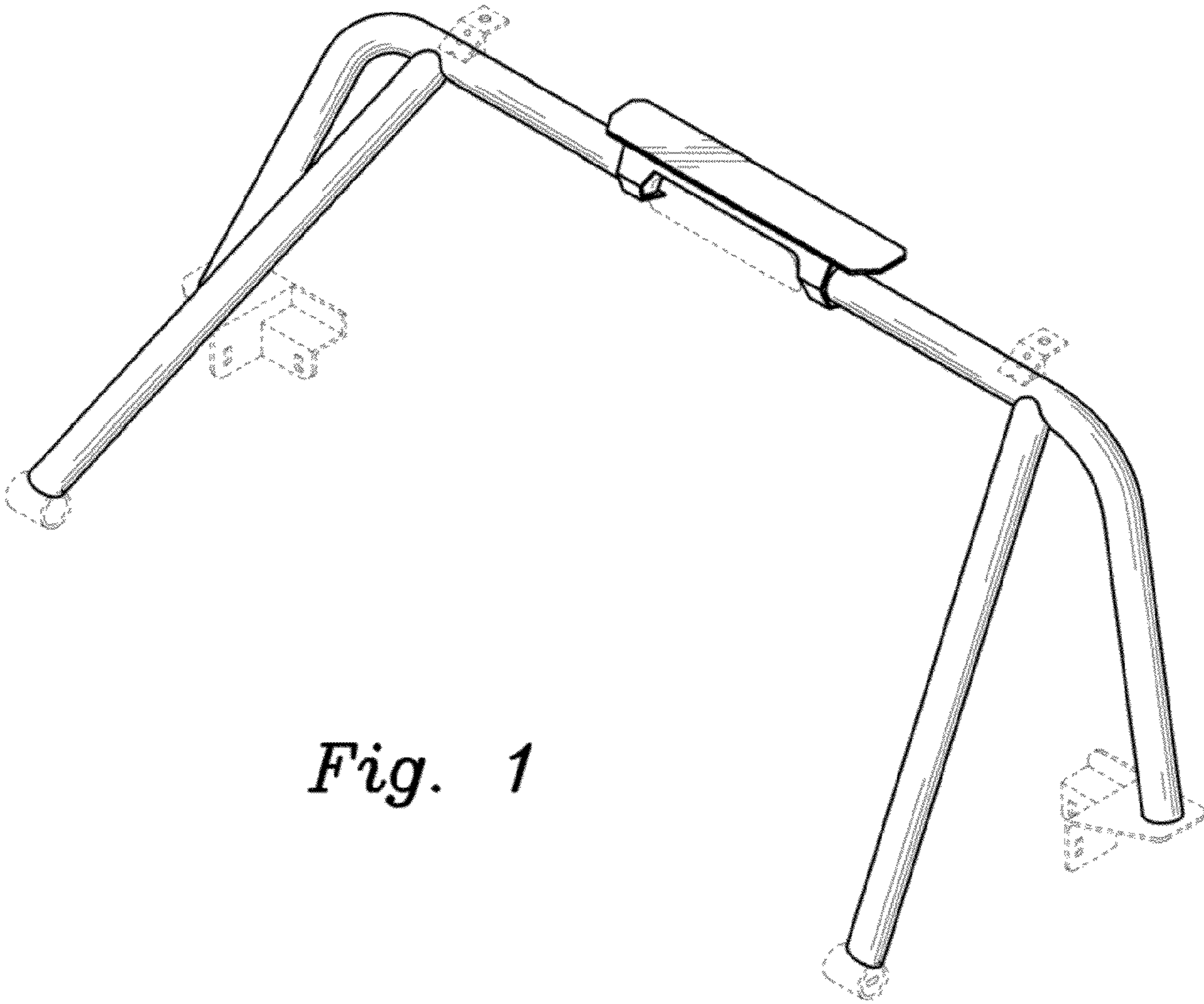
FIG. 13 is a bottom plan view of a an alternative mode of bed bar light frame.

In the drawings, the broken lines depict portions of a vehicle and form no part of the claimed design.

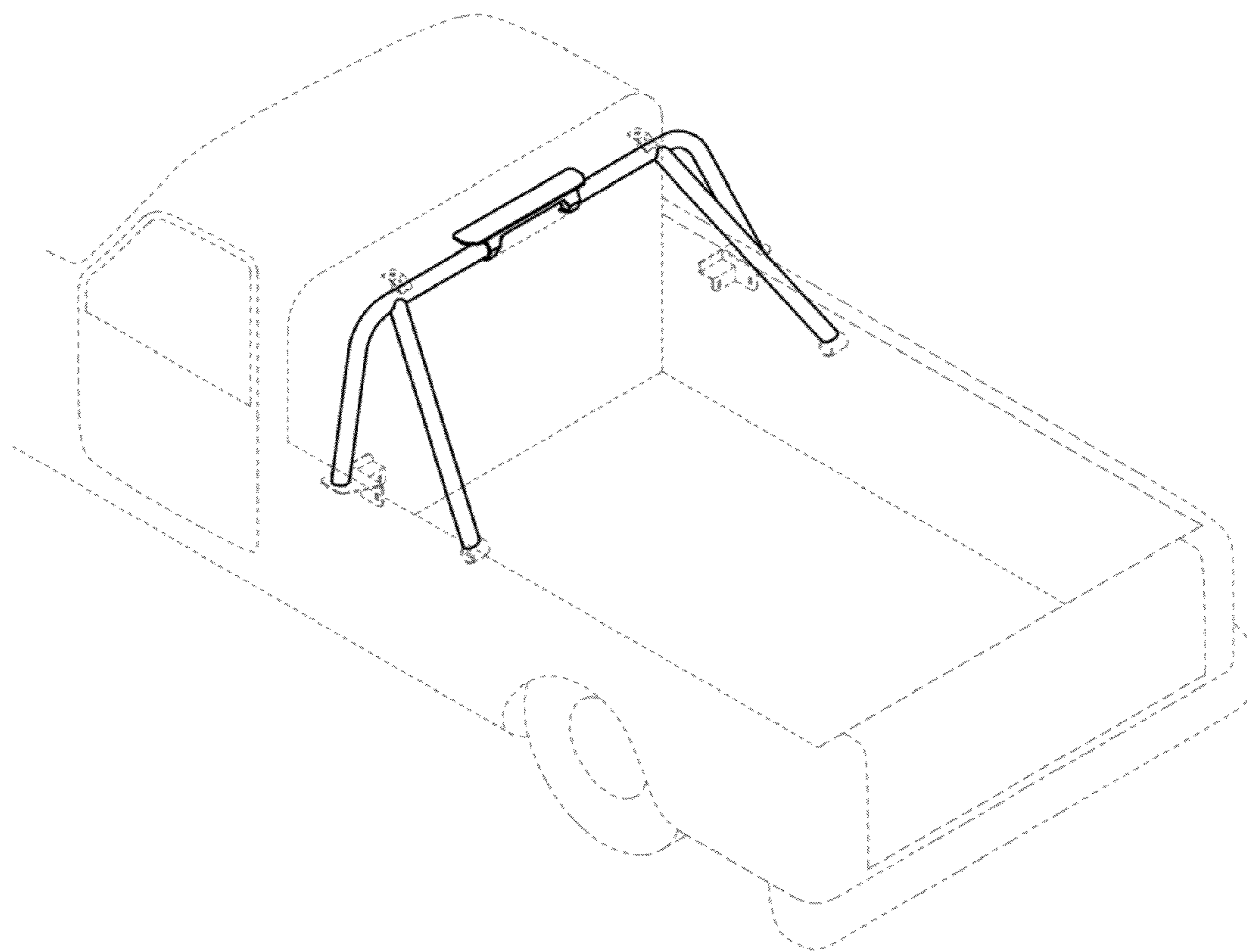
\* cited by examiner

**1 Claim, 9 Drawing Sheets**

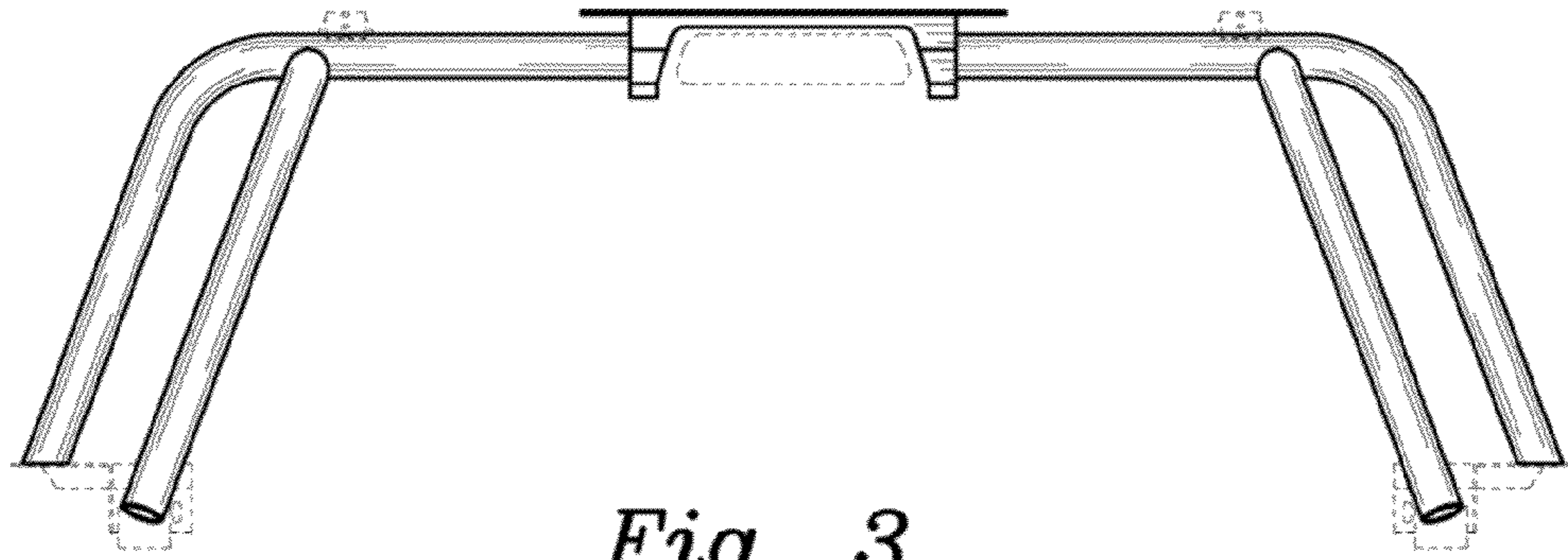




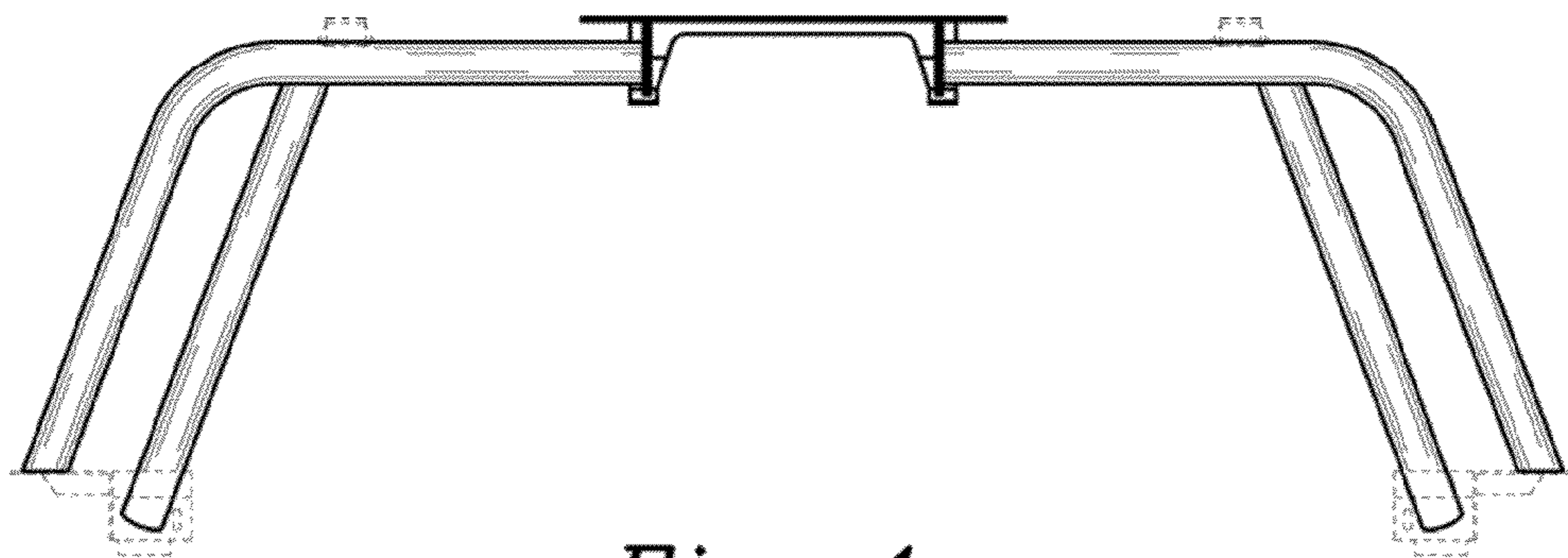
*Fig. 1*



*Fig. 2*

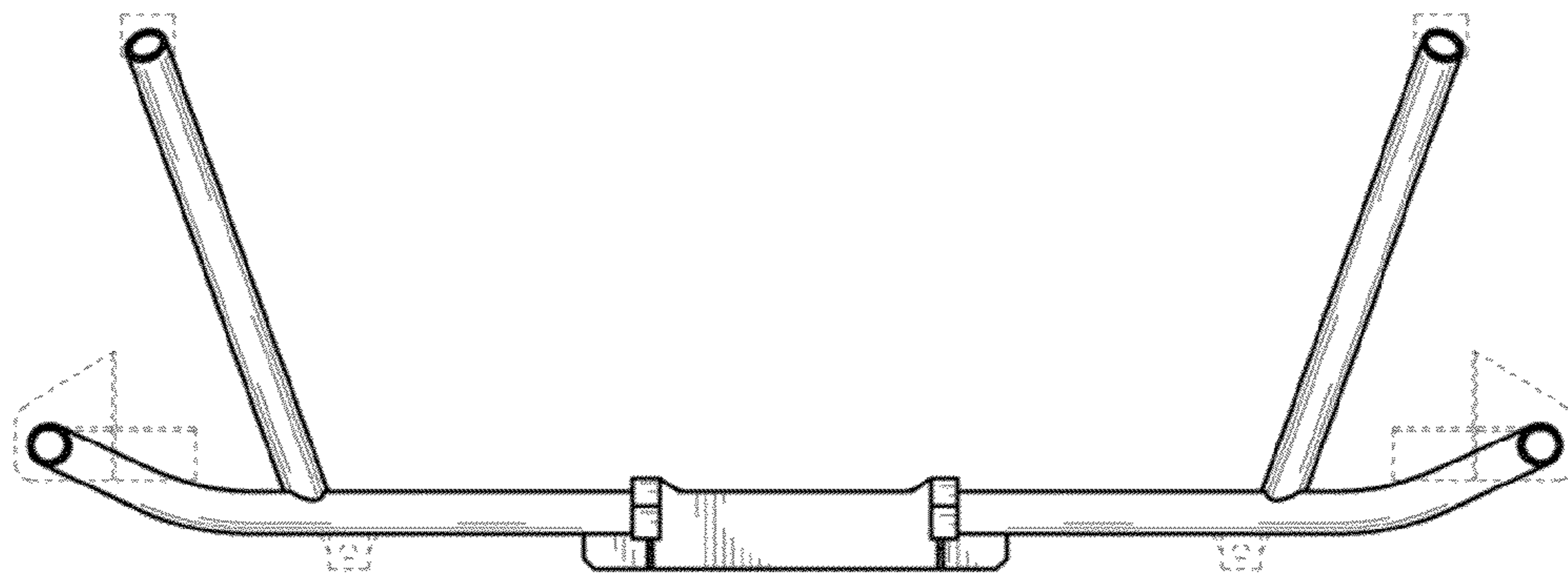
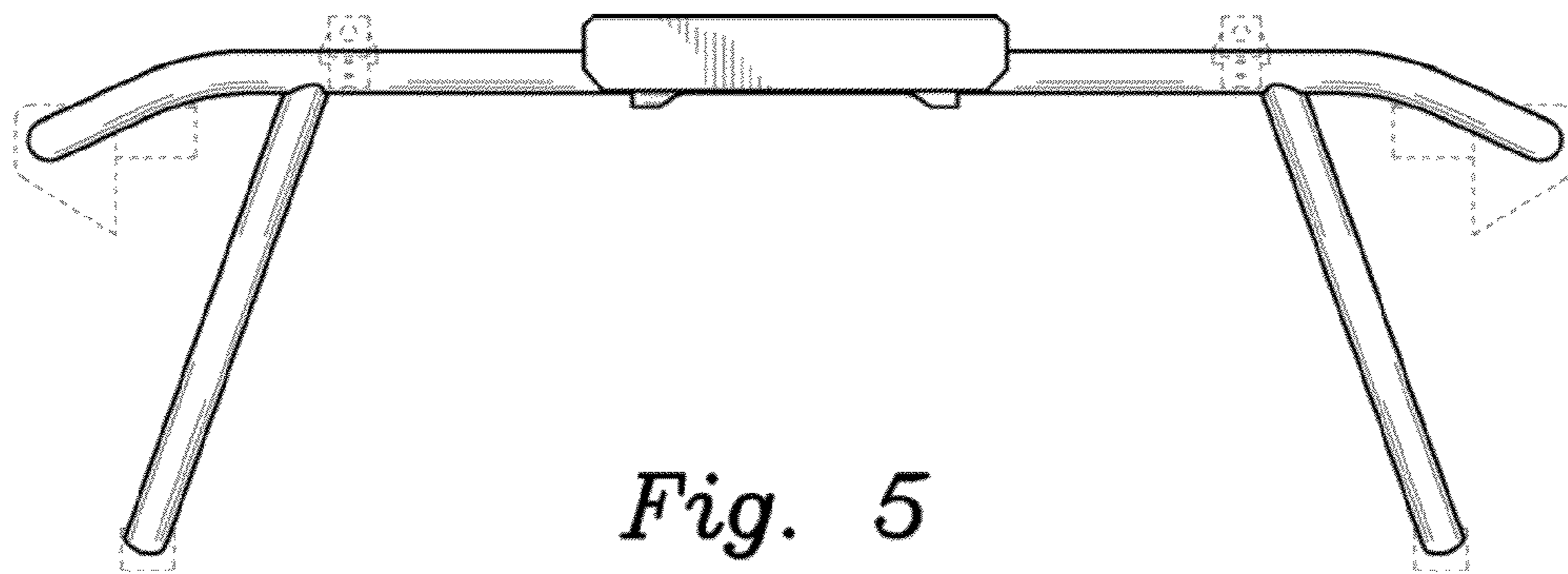


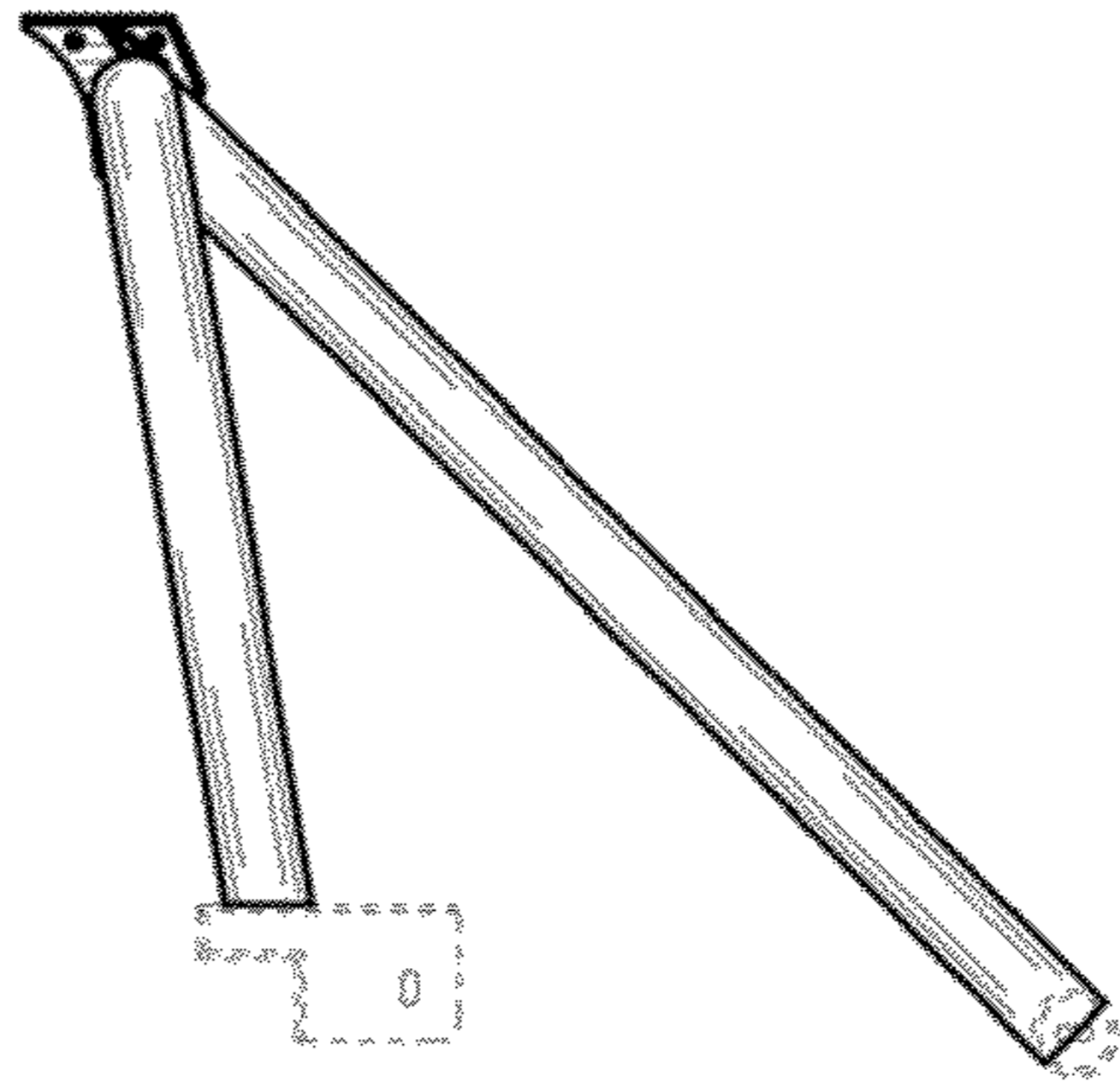
*Fig. 3*



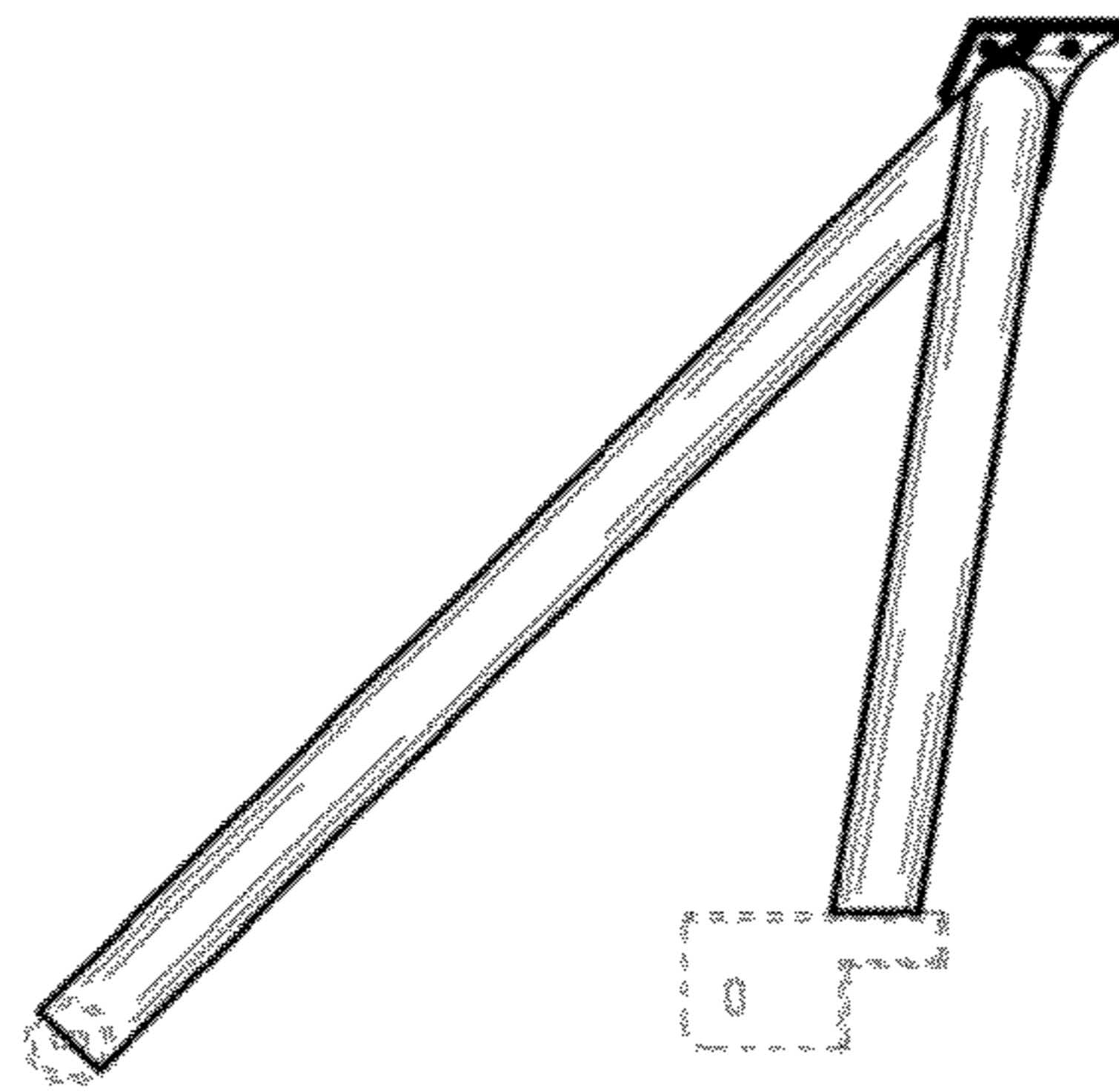
*Fig. 4*



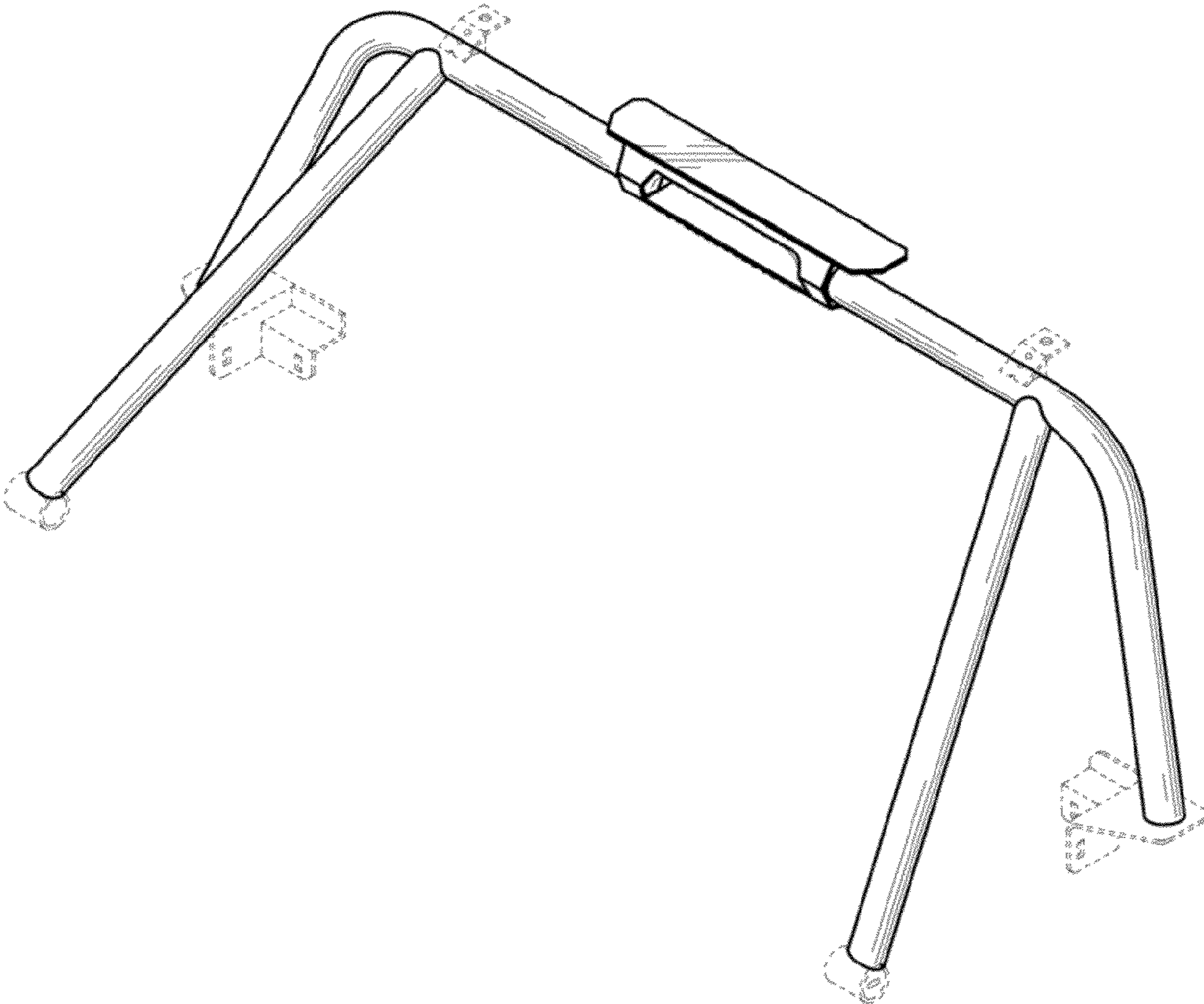




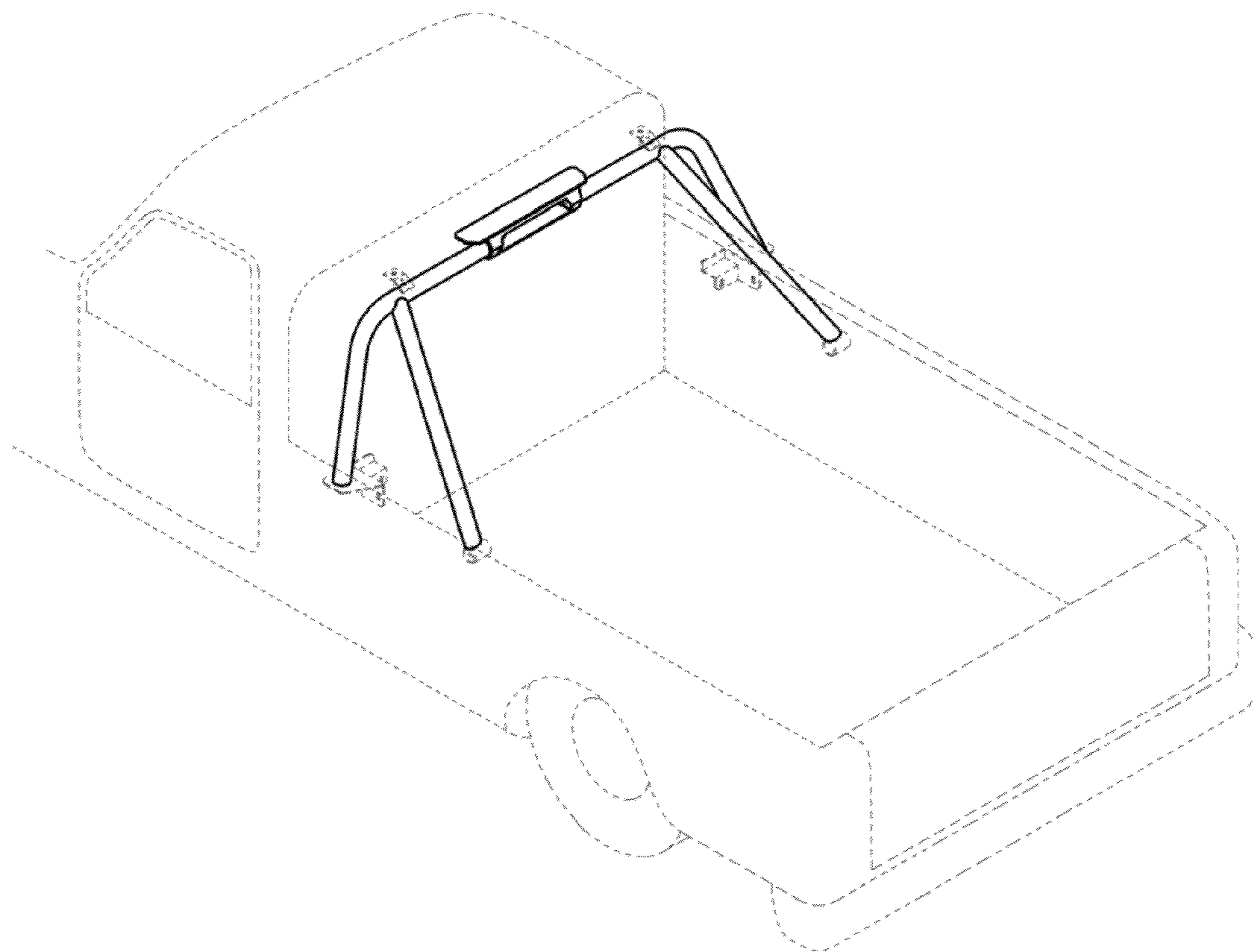
*Fig. 7*



*Fig. 8*

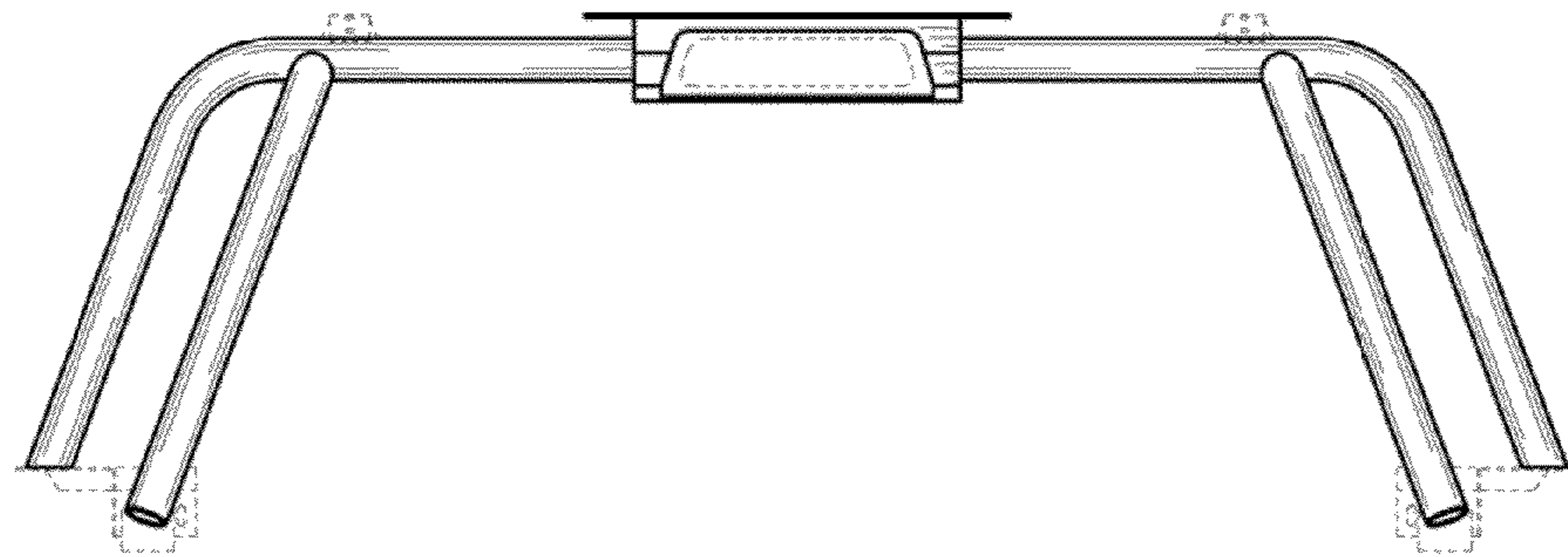


*Fig. 9*

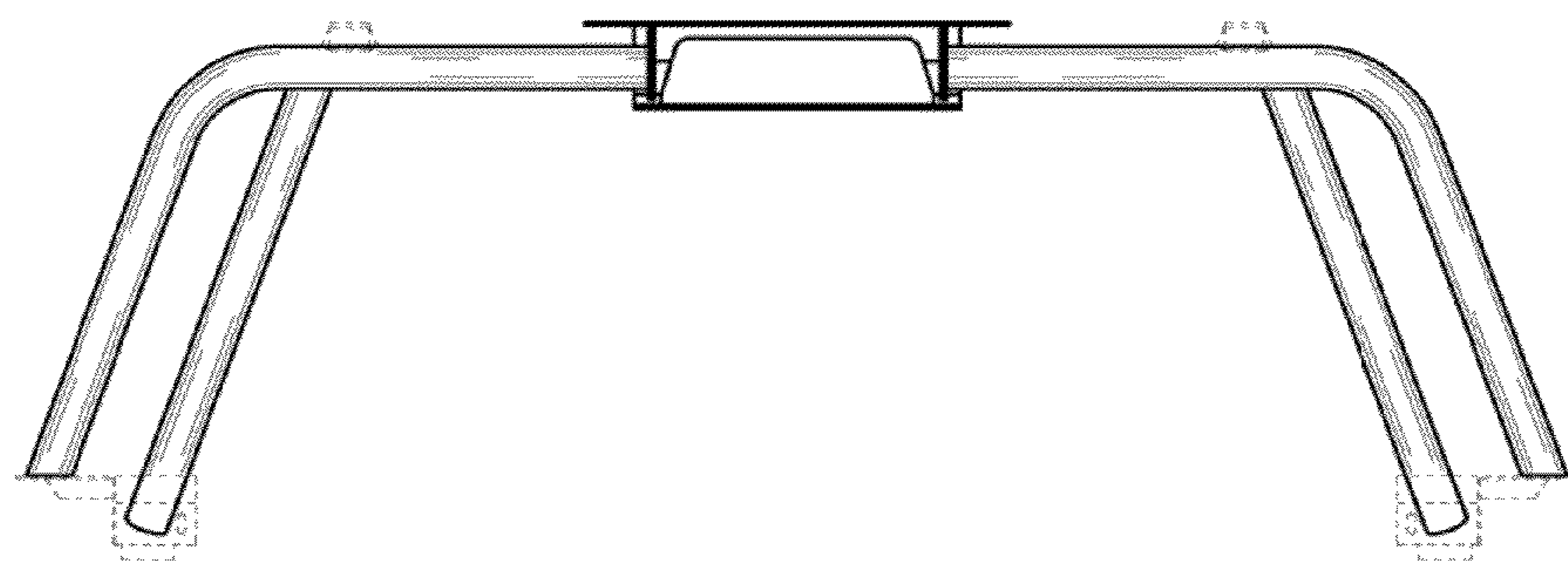


*Fig. 10*

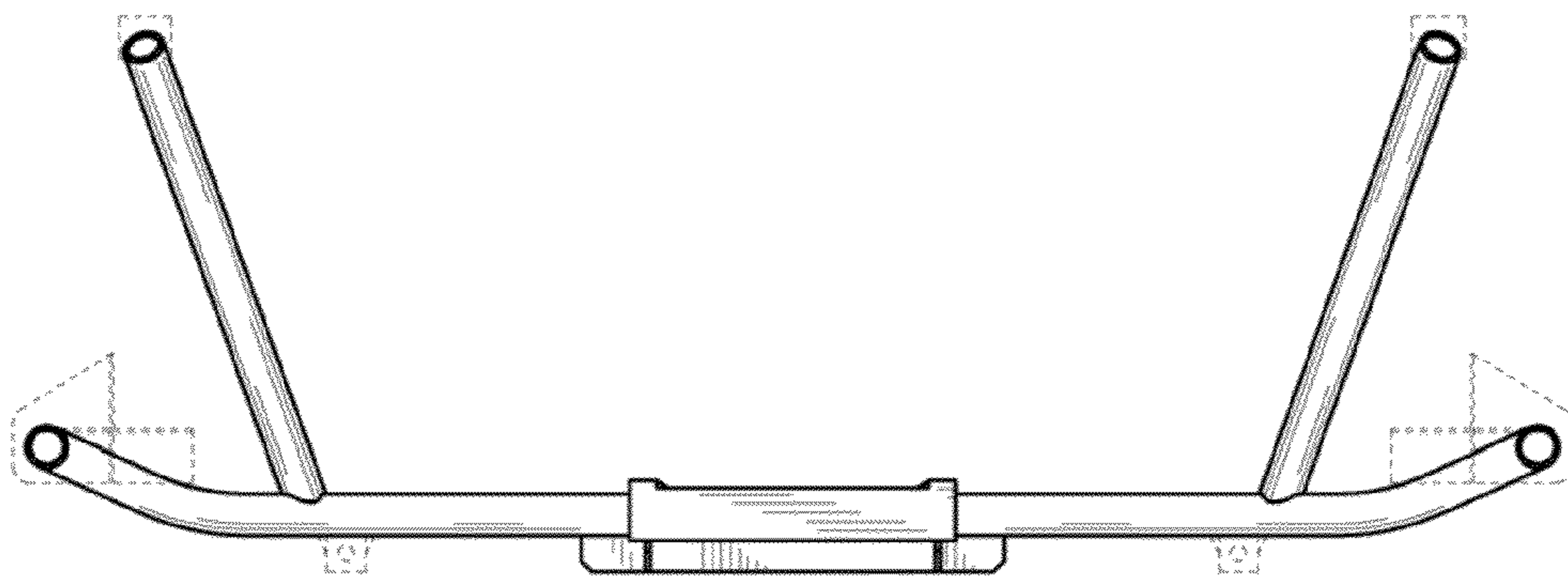




*Fig. 11*



*Fig. 12*



*Fig. 13*