



US00D717229S

(12) **United States Design Patent**
Cook

(10) **Patent No.:** **US D717,229 S**

(45) **Date of Patent:** **** Nov. 11, 2014**

(54) **UTILITY TRAILER BED EXTENSION**

(76) **Inventor:** **Kevin Morris Cook**, Rehobeth, AL (US)

(**) **Term:** **14 Years**

(21) **Appl. No.:** **29/421,722**

(22) **Filed:** **Sep. 11, 2012**

(51) **LOC (10) Cl.** **12-16**

(52) **U.S. Cl.**
USPC **D12/414**

(58) **Field of Classification Search**
USPC D12/414; D32/35, 58; D6/317-319,
D6/513-514; 206/213, 8, 9, 279, 290, 713,
206/335

See application file for complete search history.

(56) **References Cited**

U.S. PATENT DOCUMENTS

5,820,188 A * 10/1998 Nash 296/26.11
6,042,167 A * 3/2000 Pierce et al. 296/26.08
6,179,360 B1 * 1/2001 Davian 296/50

D485,800 S * 1/2004 Smith D12/414
D504,384 S * 4/2005 Straschewski D12/414
D544,826 S * 6/2007 Smith D12/414
8,109,552 B2 * 2/2012 Nelson 296/26.11
D686,250 S * 7/2013 Horter D15/28

* cited by examiner

Primary Examiner — Katrina A Betton

(74) *Attorney, Agent, or Firm* — Paul R. Martin

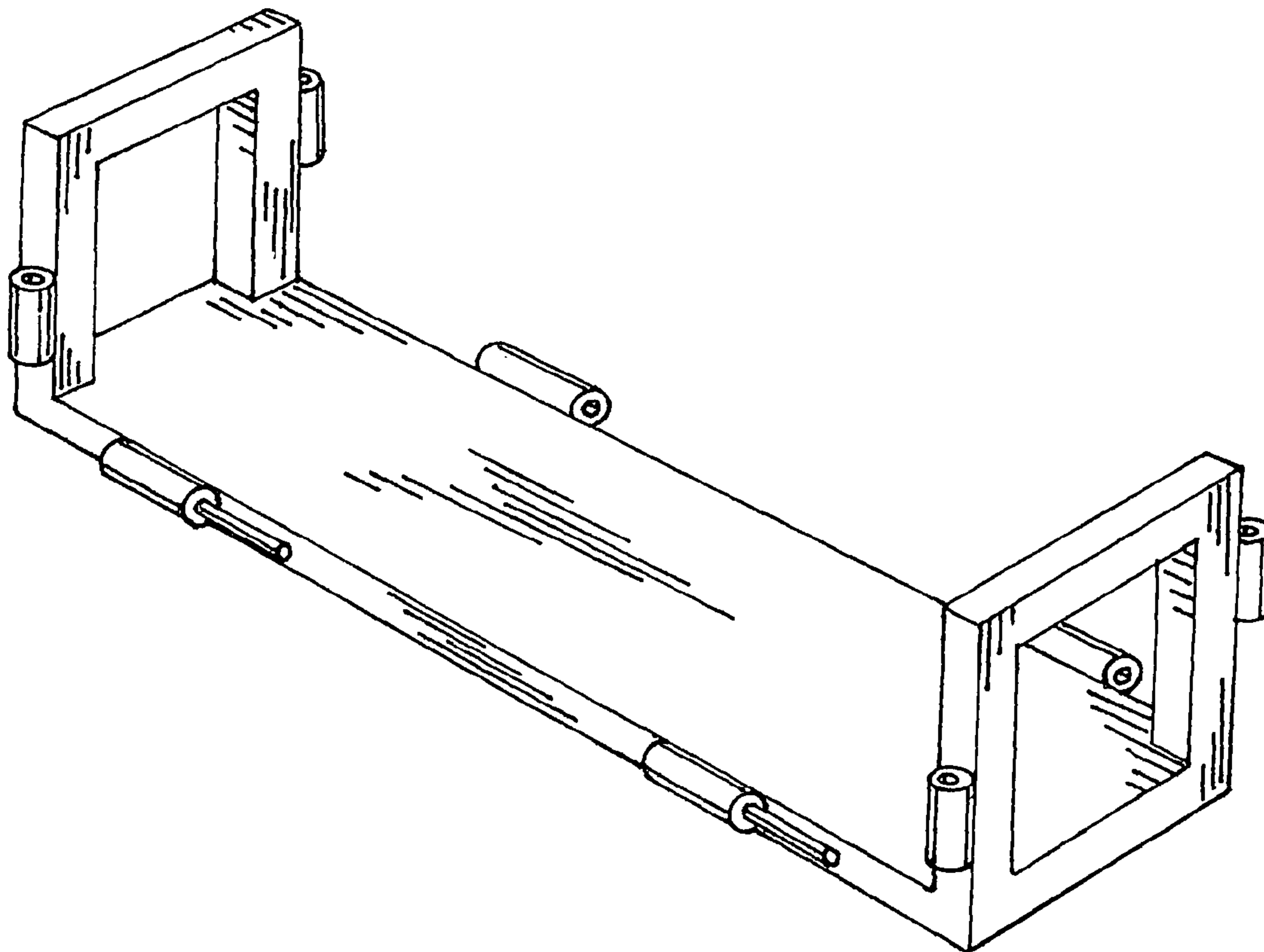
(57) **CLAIM**

The ornamental design for a utility trailer bed extension, as shown.

DESCRIPTION

FIG. 1: Top left perspective view;
FIG. 2: Right side elevation;
FIG. 3: Left side elevation;
FIG. 4: Front elevation;
FIG. 5: Rear elevation;
FIG. 6: Top plan view; and,
FIG. 7: Bottom plan view.

1 Claim, 3 Drawing Sheets



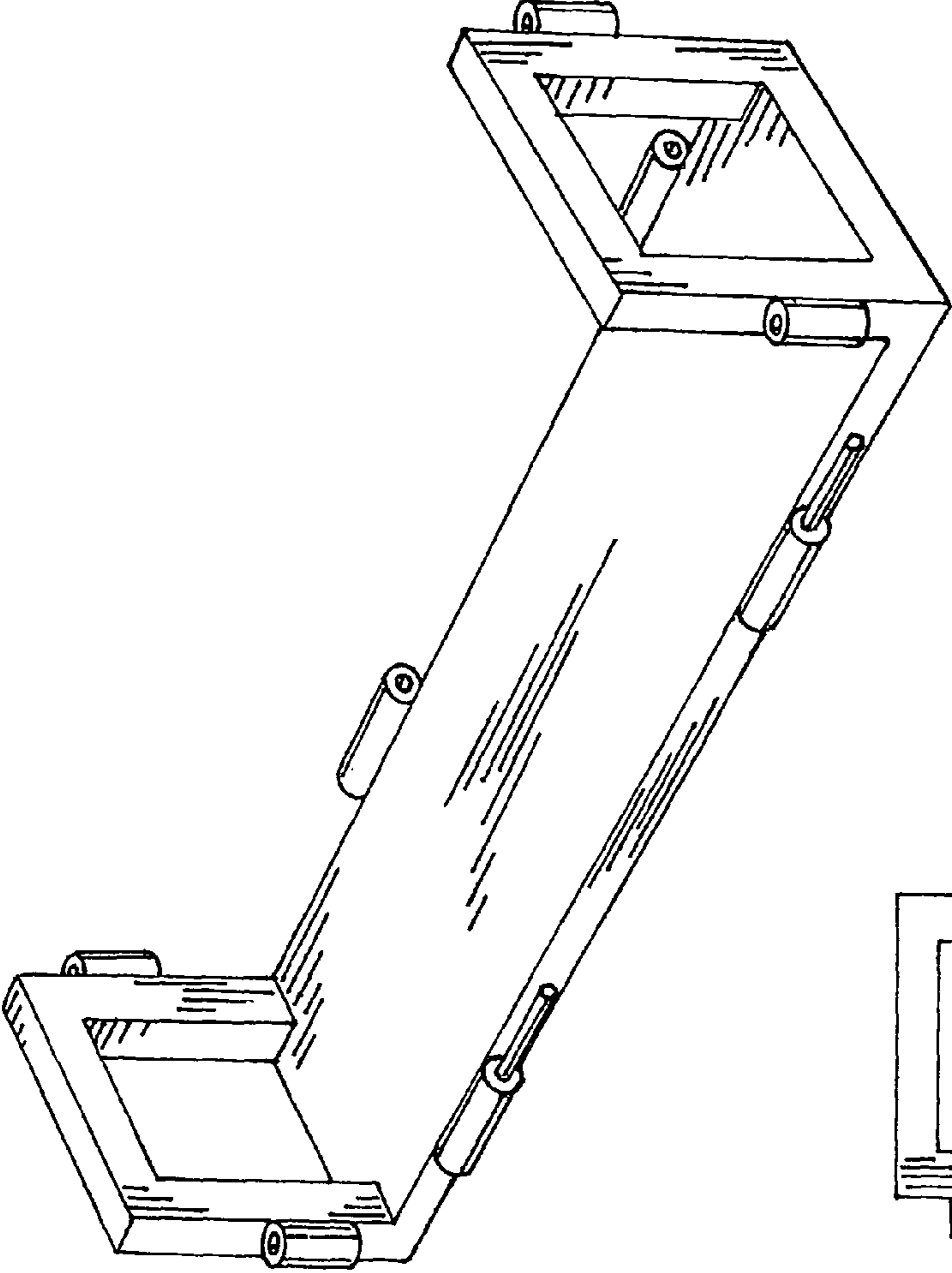


FIG. 1

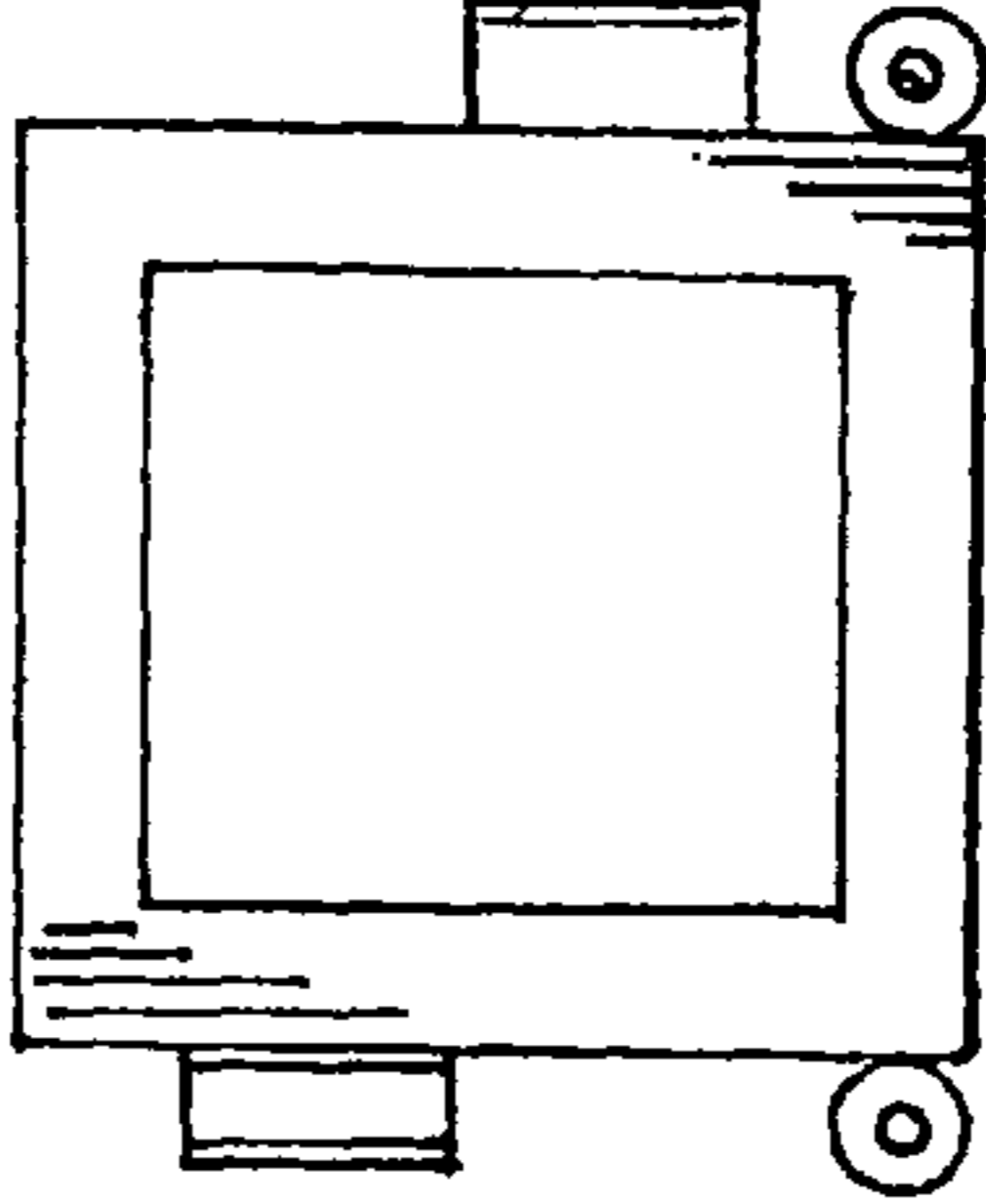


FIG. 2

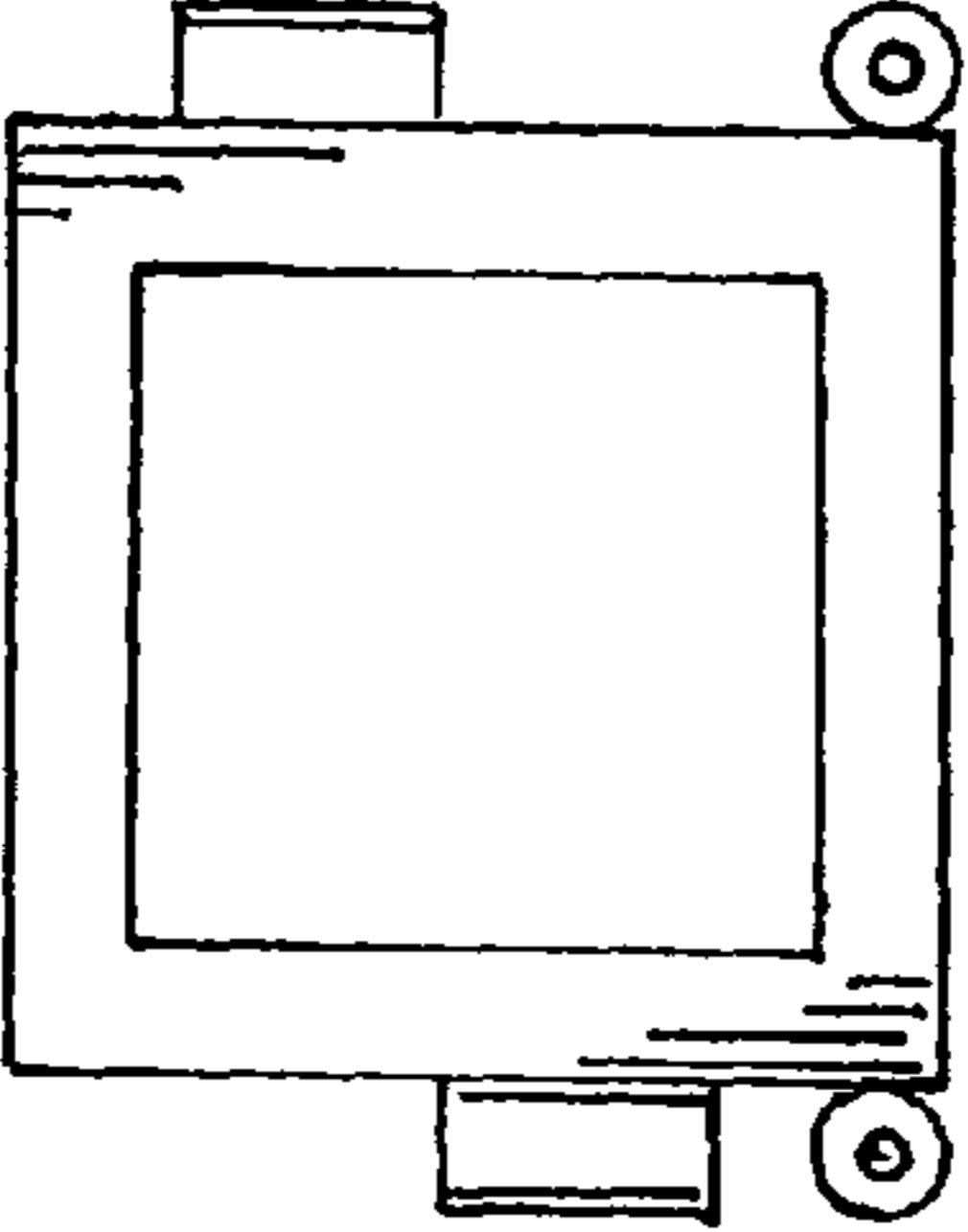


FIG. 3

FIG. 4

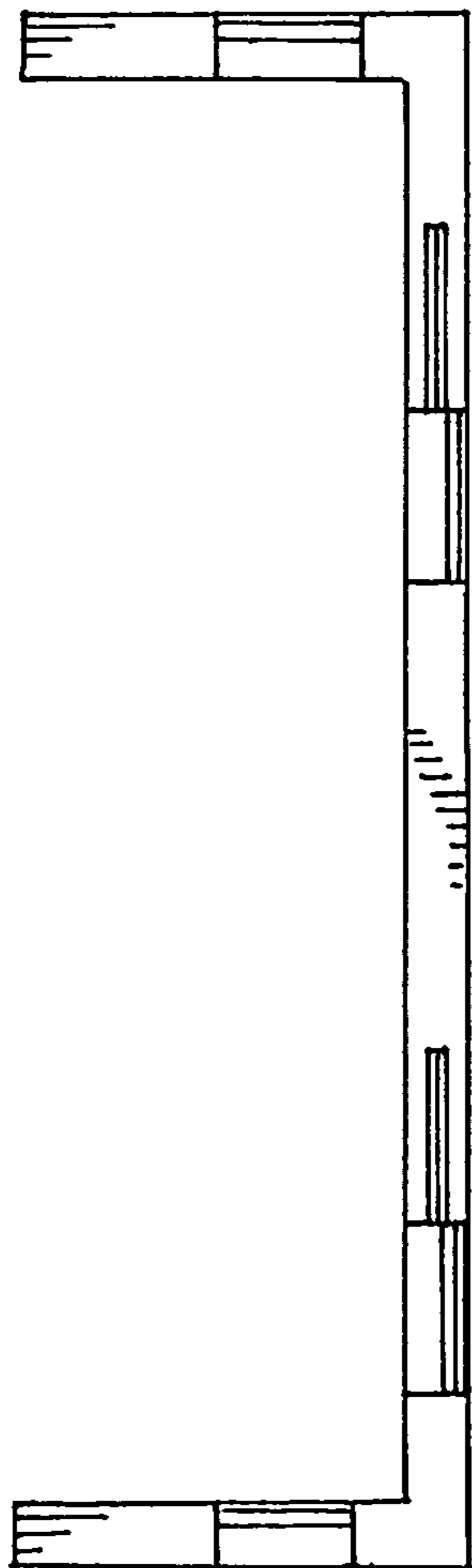


FIG. 5



FIG. 6

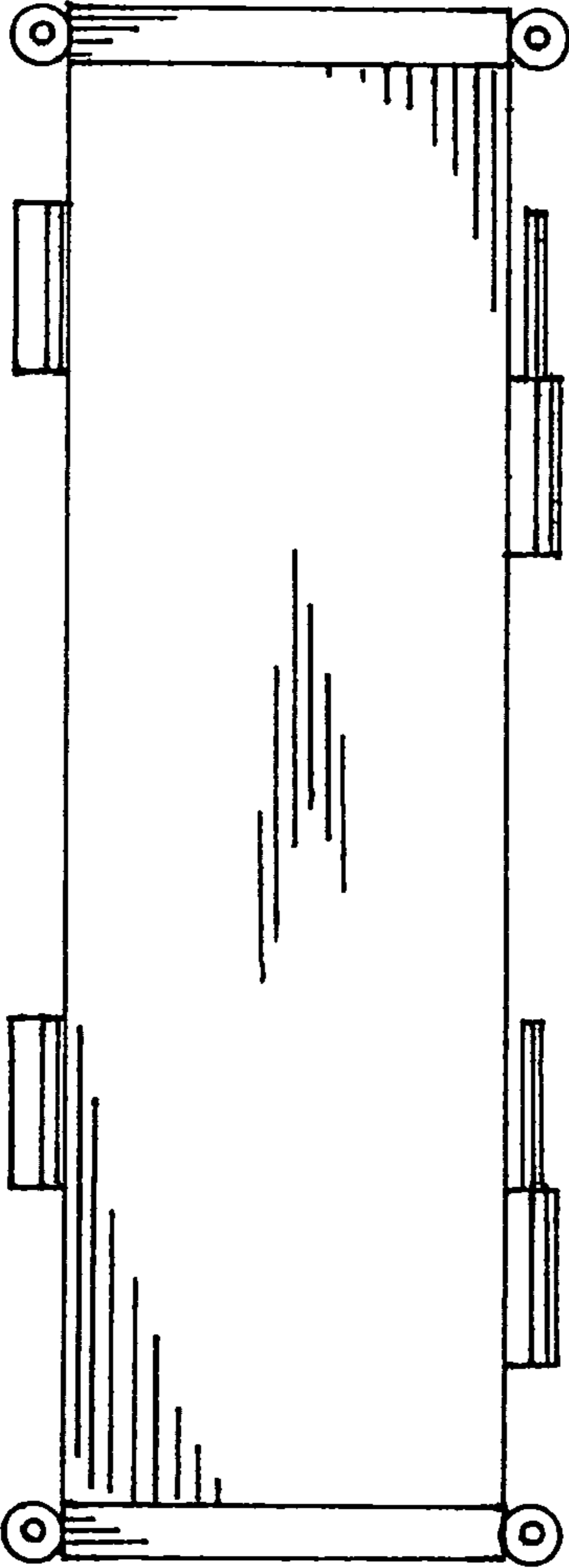


FIG. 7

