



US00D717228S

(12) **United States Design Patent**
Sagen

(10) **Patent No.:** **US D717,228 S**

(45) **Date of Patent:** **** Nov. 11, 2014**

(54) **CARGO BOX**

(75) Inventor: **Jason Sagen**, Portland, OR (US)

(73) Assignee: **Hubco Automotive Limited**, Wellington (NZ)

(**) Term: **14 Years**

(21) Appl. No.: **29/431,857**

(22) Filed: **Sep. 11, 2012**

(51) **LOC (10) Cl.** **12-16**

(52) **U.S. Cl.**
USPC **D12/413**

(58) **Field of Classification Search**
USPC D12/413, 414, 406, 412, 414.4;
293/37.1, 3, 100; 224/309-310,
224/315-316, 323-329, 400; D6/552,
D6/317-319, 513-514; D3/304-306;
280/760-762, 848, 727, 769; 206/213,
206/8, 9, 279, 290, 713, 335, 315.1-315.4;
D32/35, 58; 296/99.1, 37.1, 100.02,
296/157

See application file for complete search history.

(56) **References Cited**

U.S. PATENT DOCUMENTS

D289,151 S	4/1987	Forsman	
D297,629 S	9/1988	Breger	
D297,630 S	9/1988	Breger	
D297,631 S *	9/1988	Breger D12/413
D299,914 S	2/1989	Witte	

D326,634 S	6/1992	Seaver	
D342,049 S	12/1993	Harrison	
D373,105 S	8/1996	Imotani	
D406,558 S	3/1999	Pendergraph	
D412,881 S	8/1999	Behringer	
D419,954 S	2/2000	Bradt	
D420,321 S	2/2000	McCoy et al.	
D462,312 S *	9/2002	Klein D12/413
D489,674 S *	5/2004	Settelmayer et al. D12/413
D543,929 S *	6/2007	D'Andrea et al. D12/413
D595,215 S *	6/2009	Rasche D12/413
D630,157 S *	1/2011	Farber D12/413
D656,082 S *	3/2012	Gruner D12/413
8,757,457 B2 *	6/2014	Settelmayer et al. 224/328

* cited by examiner

Primary Examiner — Katrina A Betton

(74) *Attorney, Agent, or Firm* — Kolisch Hartwell, P.C.

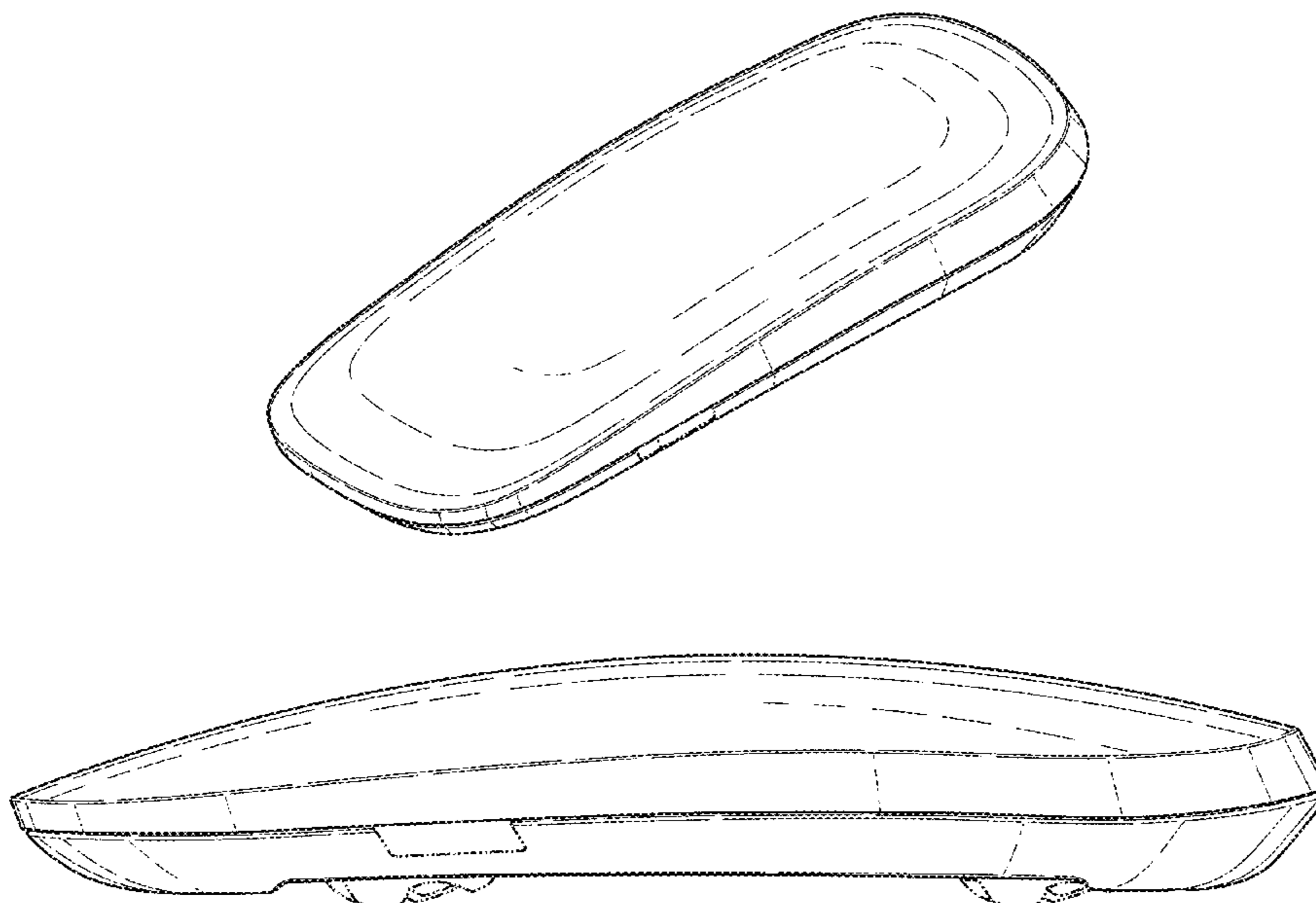
(57) **CLAIM**

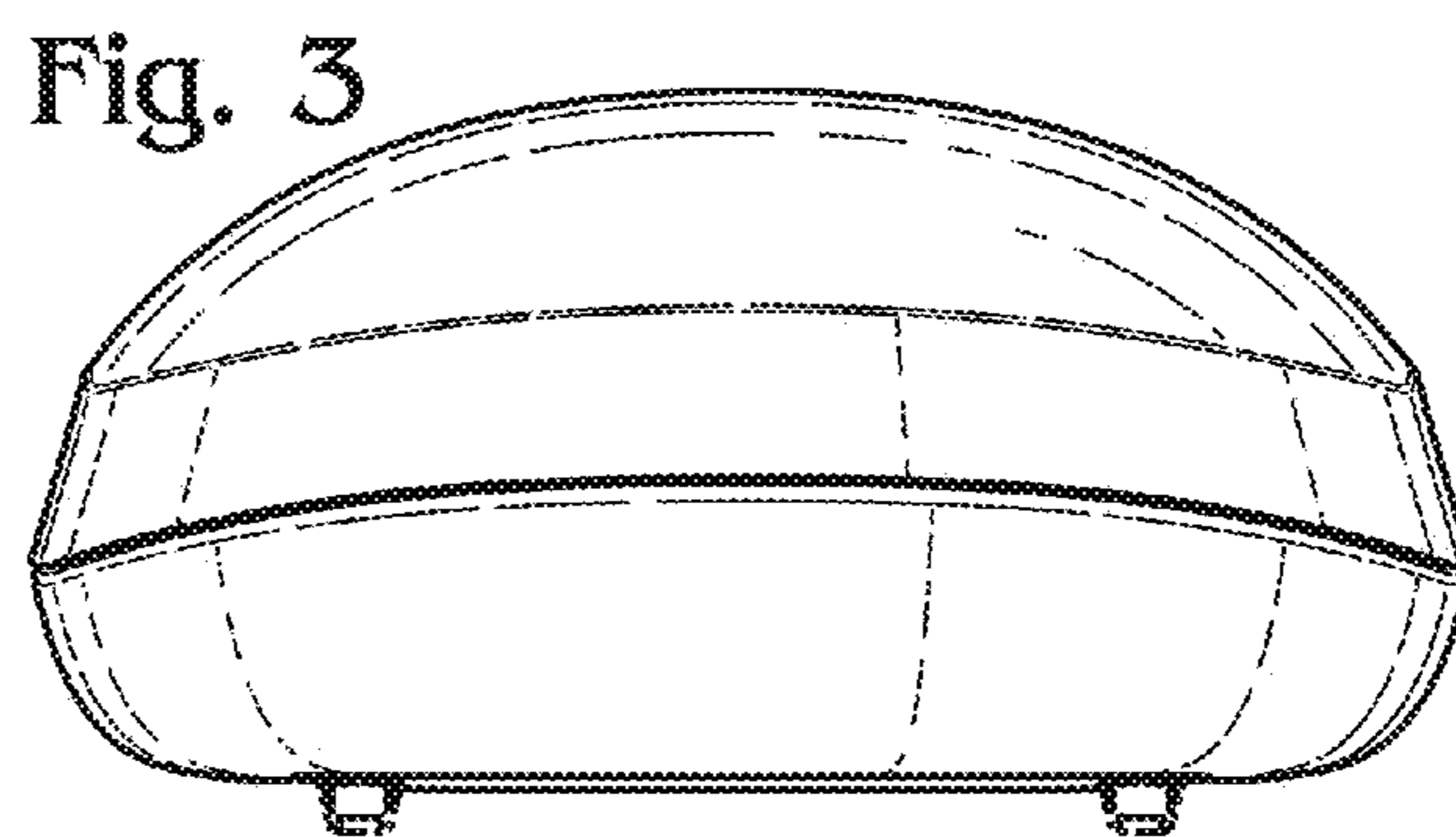
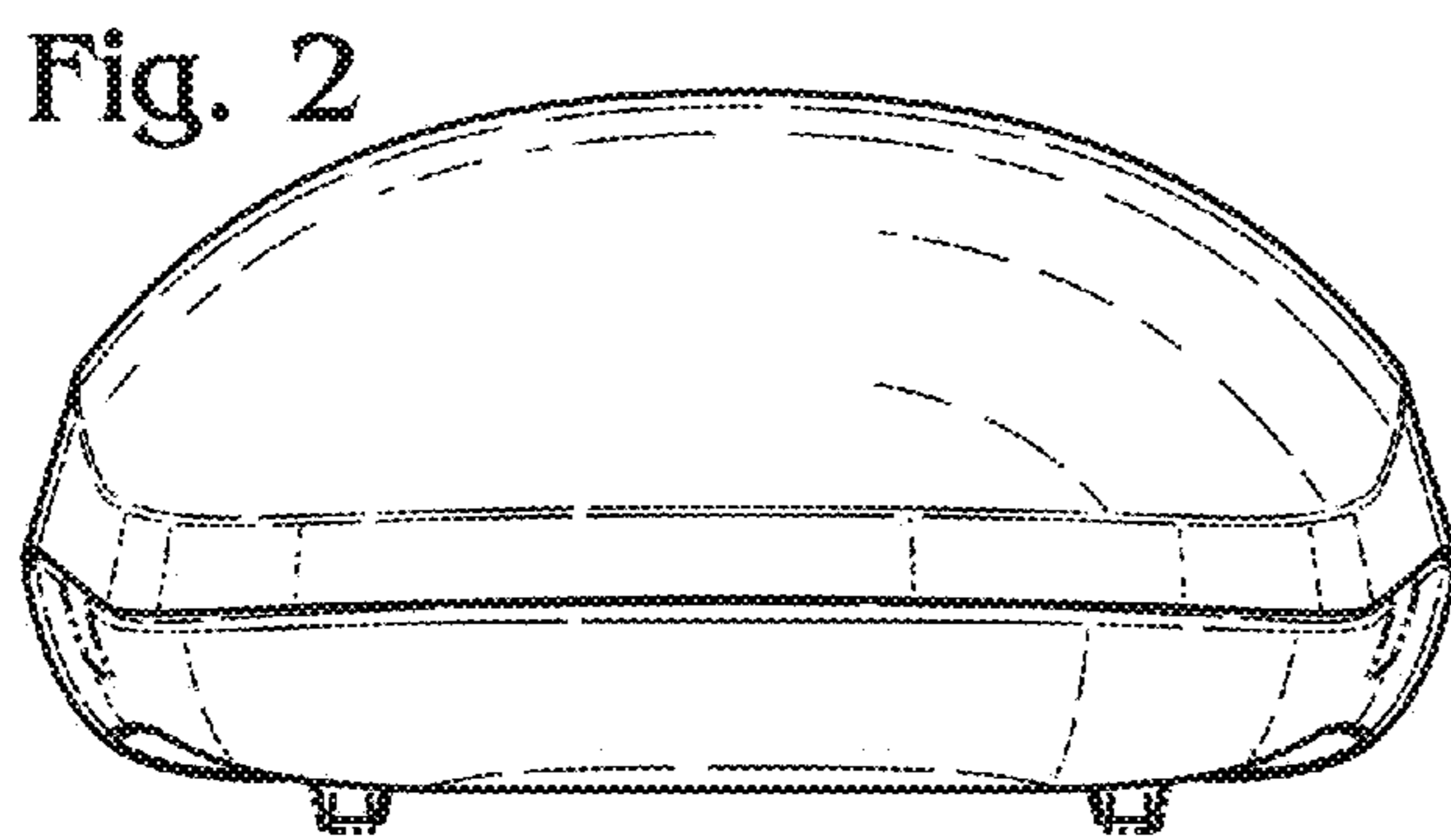
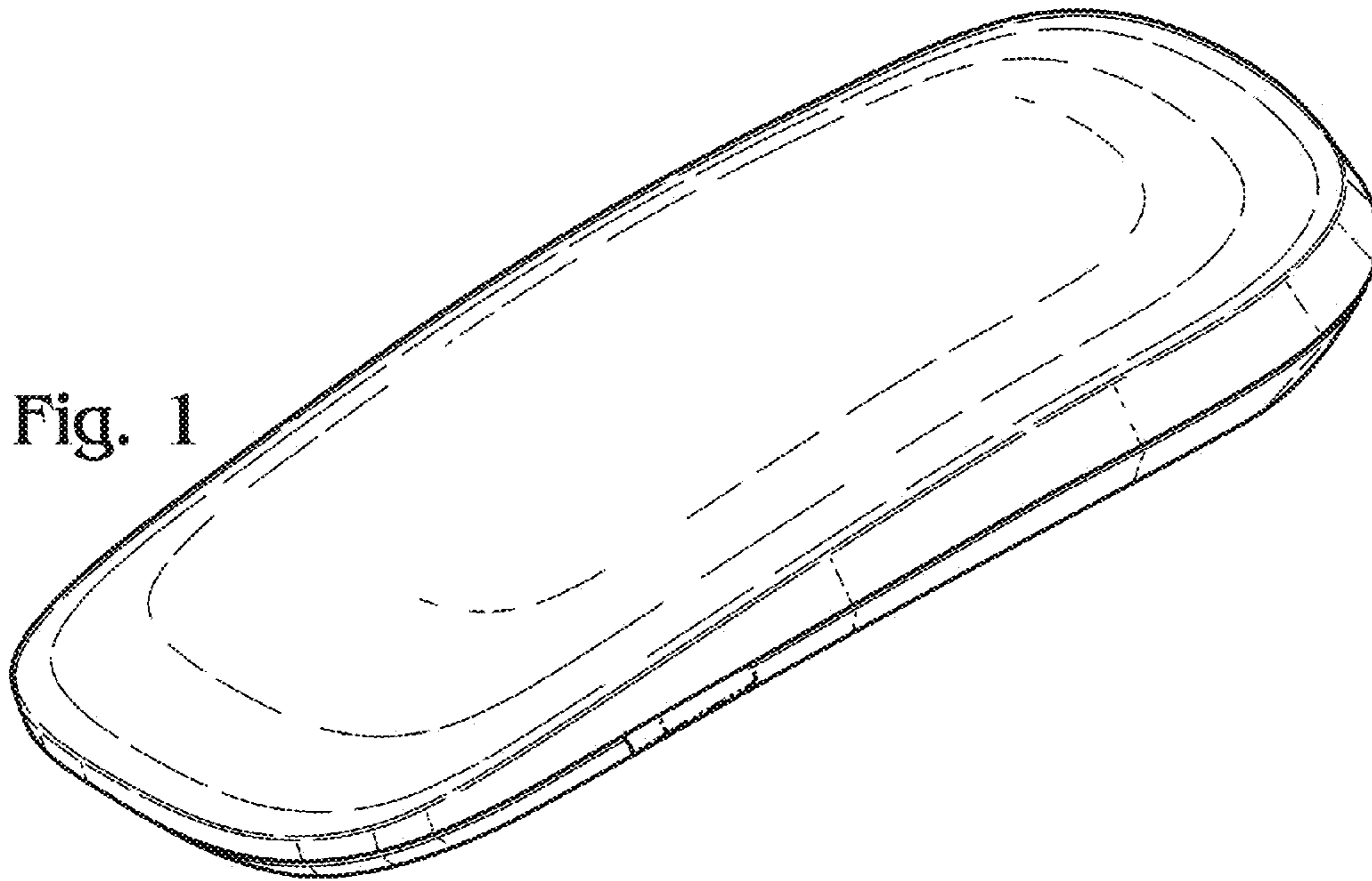
I claim the ornamental design for a cargo box, as shown and described.

DESCRIPTION

FIG. 1 is a top perspective view of a cargo box showing my new design;
FIG. 2 is a front view thereof;
FIG. 3 is a rear view thereof;
FIG. 4 is a side view thereof, the opposite side being identical thereto; and,
FIG. 5 is a top view thereof.
In the drawings, the broken lines depict portions of the article that form no part of the claimed design.

1 Claim, 2 Drawing Sheets





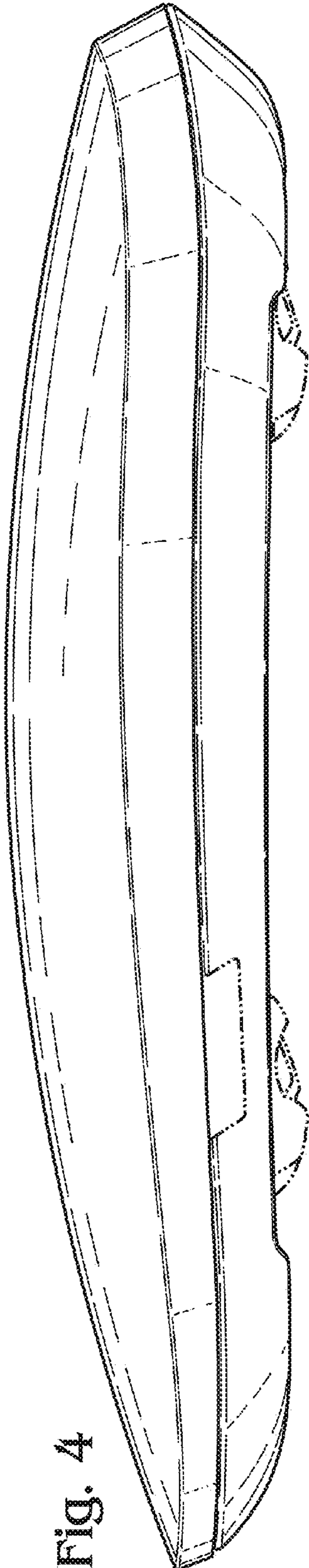


Fig. 4

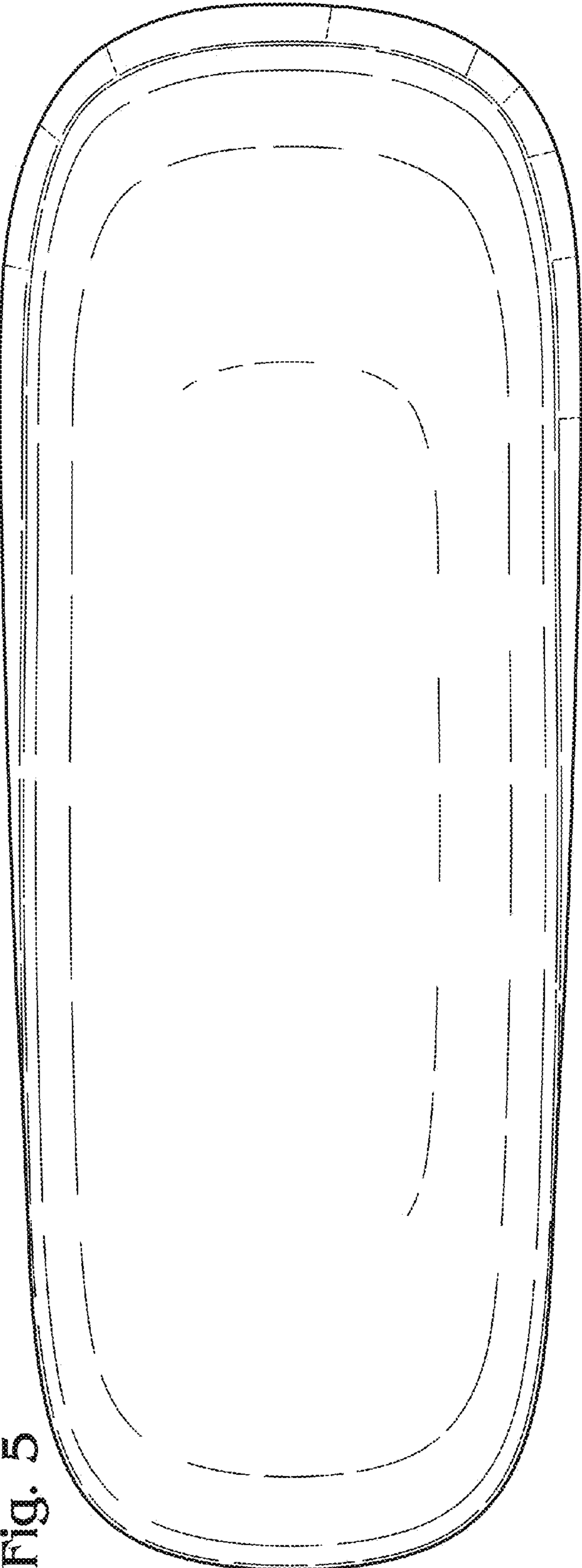


Fig. 5