



US00D717227S

(12) **United States Design Patent**
Herzberger et al.

(10) **Patent No.:** **US D717,227 S**

(45) **Date of Patent:** **** Nov. 11, 2014**

(54) **AMPHIBIAN AEROPLANE**

(75) Inventors: **Erick Herzberger**, Annecy (FR); **Luc Bernole**, Le Bourget du Lac (FR); **Jean-Francois Clavreul**, Chambéry (FR); **Benoit Senellart**, Chambéry (FR)

(73) Assignee: **Lisa Airplanes**, Le Bourget du Lac (FR)

(**) Term: **14 Years**

(21) Appl. No.: **29/403,895**

(22) Filed: **Oct. 12, 2011**

(30) **Foreign Application Priority Data**

Apr. 12, 2011 (EP) 001849779-0001

(51) **LOC (10) Cl.** **12-07**

(52) **U.S. Cl.**
USPC **D12/324**

(58) **Field of Classification Search**

USPC D12/327, 326, 328, 329, 330, 319, 343,
D12/324, 323; 244/96, 29, 26, 25, 17.17,
244/116, 115; D23/377; D21/827, 583,
D21/558, 453, 442, 440

See application file for complete search history.

(56) **References Cited**

U.S. PATENT DOCUMENTS

D199,549 S * 11/1964 Thomas D12/324
D207,754 S * 5/1967 Smethers, Jr. D12/324
D219,844 S * 2/1971 Biemond D12/324
D230,893 S * 3/1974 Arruda D12/308

D240,721 S * 7/1976 Bunyard D12/324
D246,298 S * 11/1977 Hansen D12/324
D255,341 S * 6/1980 Dornier D12/324
D255,342 S * 6/1980 Dornier D12/324
D264,837 S * 6/1982 Dornier D12/324
D337,751 S * 7/1993 Silva D12/324
D392,937 S * 3/1998 Brichard et al. D12/324
D446,764 S * 8/2001 Panatov et al. D12/324
7,938,358 B2 * 5/2011 Dietrich et al. 244/2
8,038,095 B2 * 10/2011 Herzberger et al. 244/101
8,371,520 B2 * 2/2013 Easter 244/2
8,528,852 B2 * 9/2013 Farrag 244/2

* cited by examiner

Primary Examiner — Austin Murphy

(74) *Attorney, Agent, or Firm* — Oliff PLC

(57) **CLAIM**

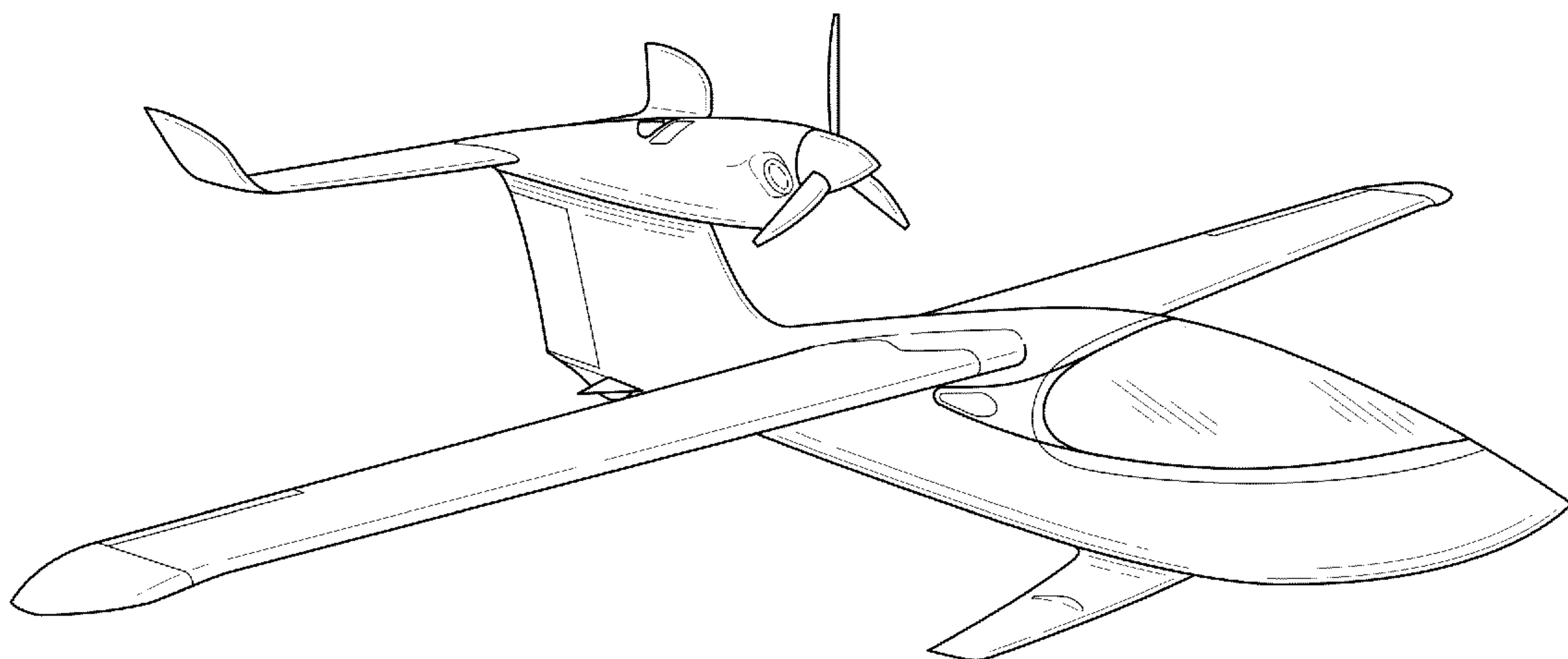
The ornamental design for an amphibian aeroplane, as shown and described.

DESCRIPTION

FIG. 1 is a perspective view of an amphibian aeroplane;
FIG. 2 is a front view thereof;
FIG. 3 is a top view thereof;
FIG. 4 is a left-side view thereof, the right-side view being a mirror image of the left-side view;
FIG. 5 is bottom view thereof;
FIG. 6 is another perspective view thereof with the wings in a folded configuration; and,
FIG. 7 is another perspective view thereof with the canopy open and the landing gear extended.

The broken lines depict environmental subject matter only and form no part of the claimed design.

1 Claim, 7 Drawing Sheets



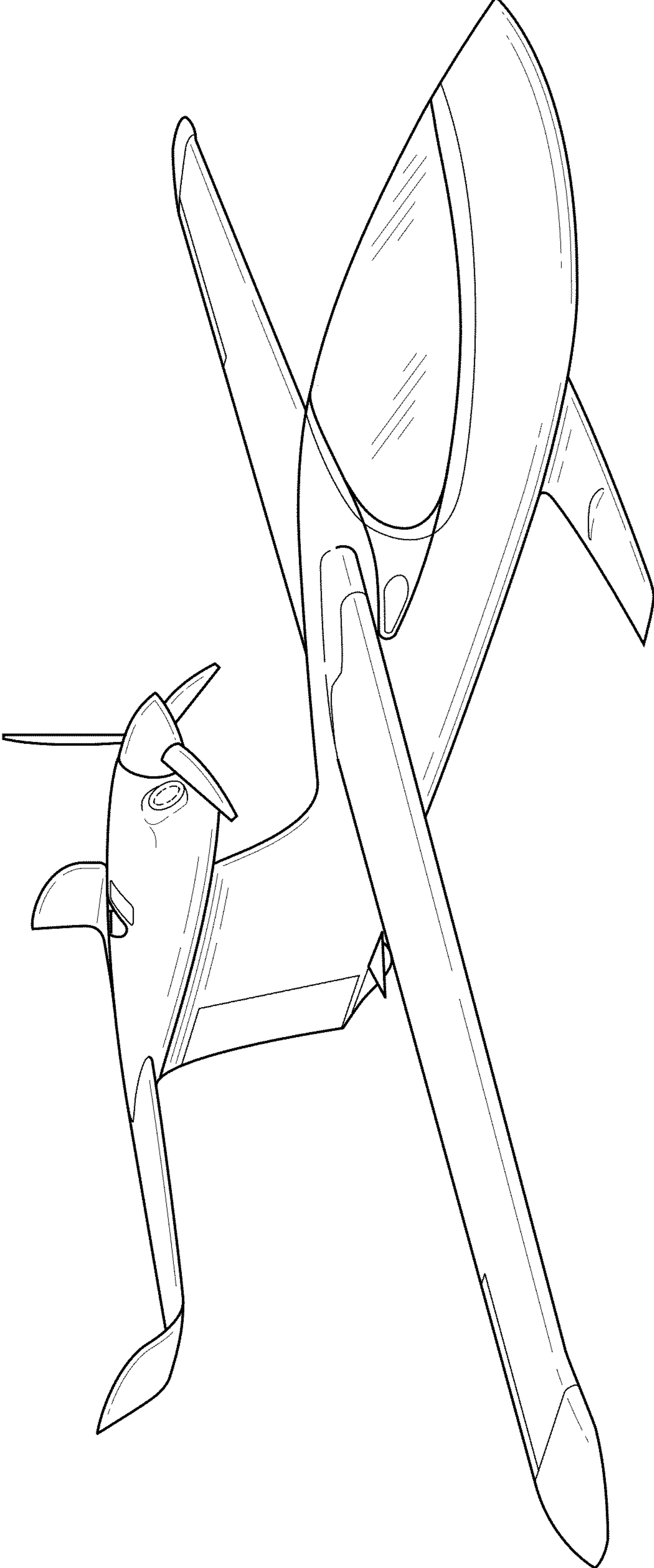


FIG. 1

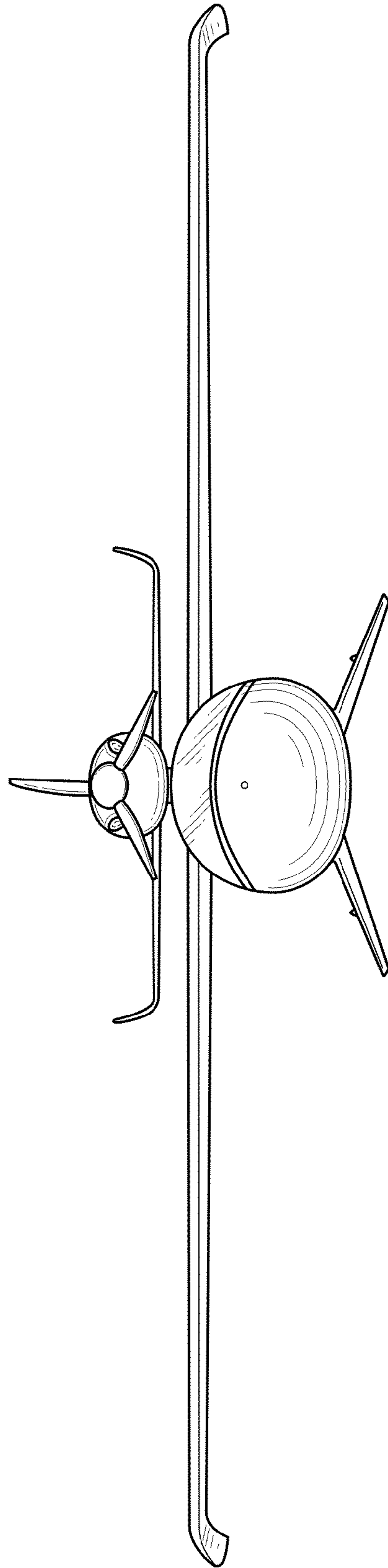


FIG. 2

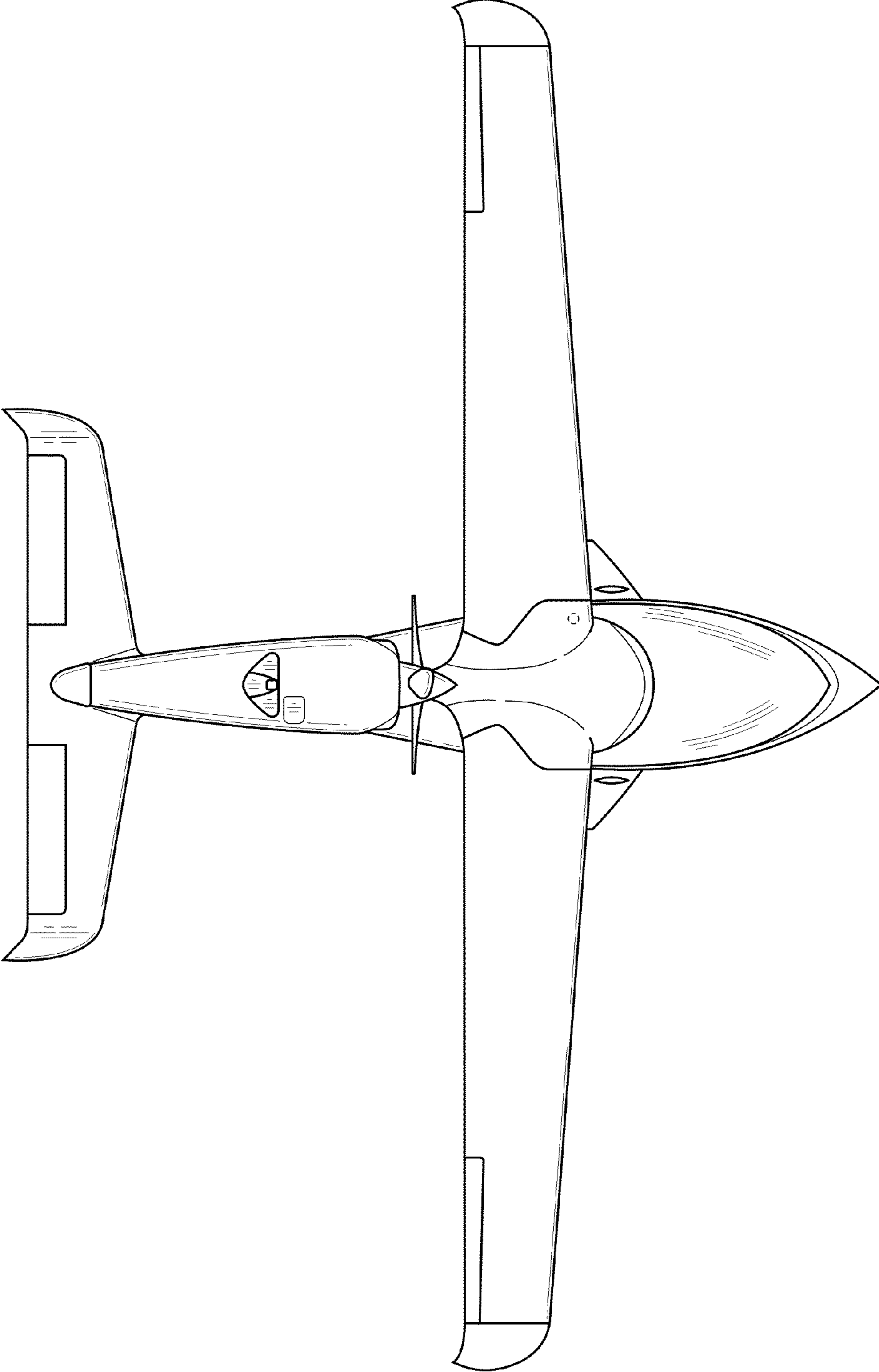


FIG. 3

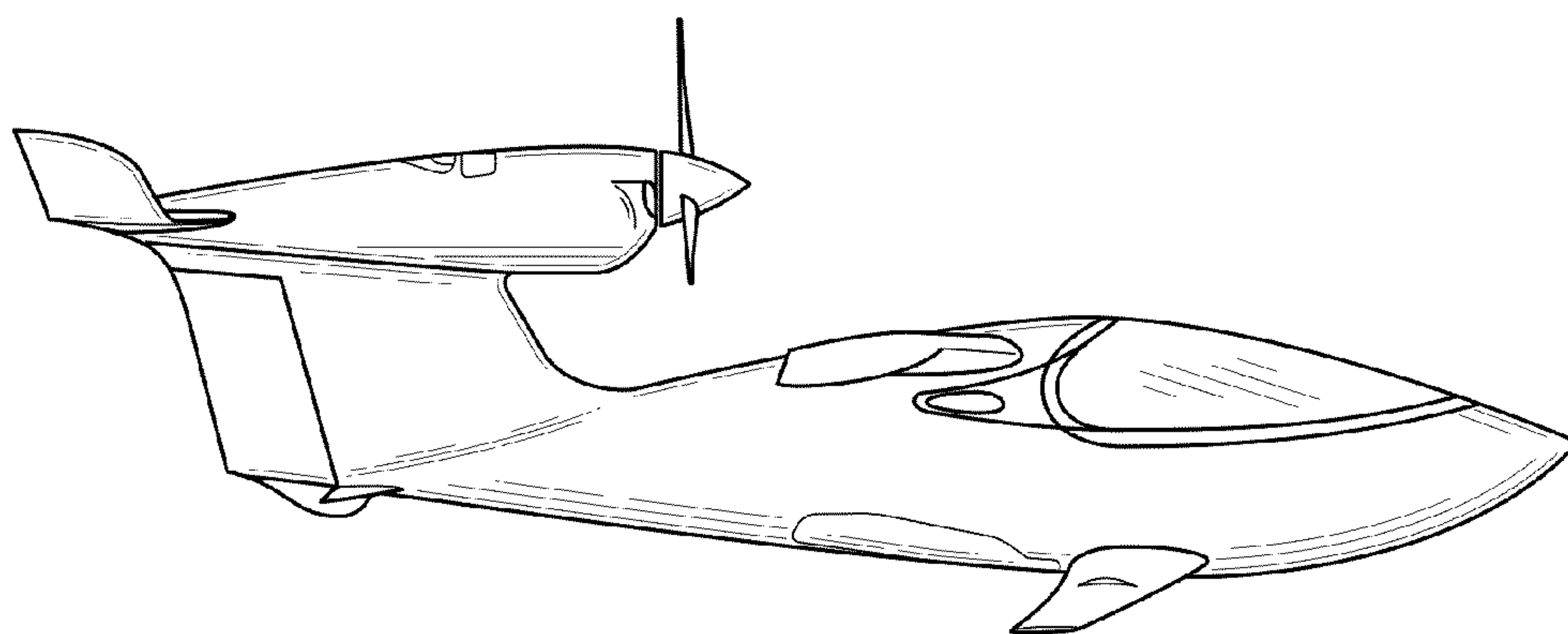


FIG. 4

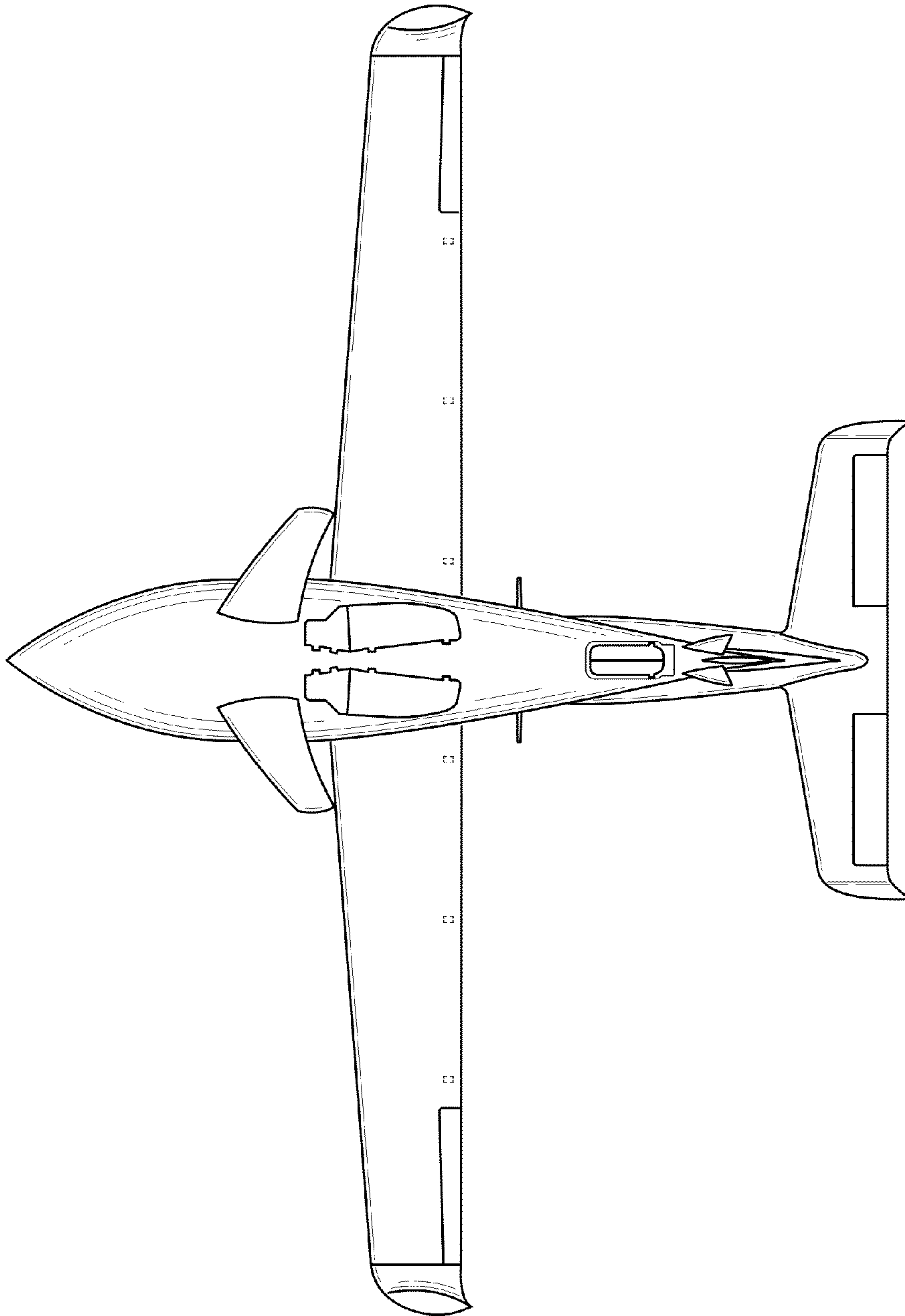


FIG. 5

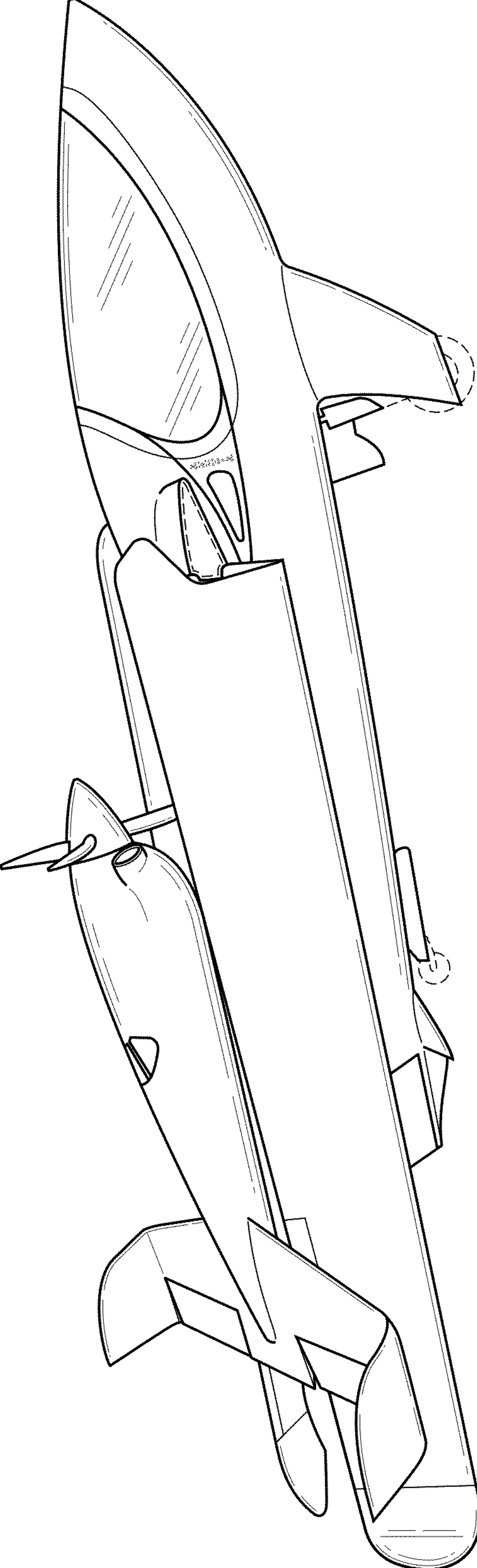


FIG. 6

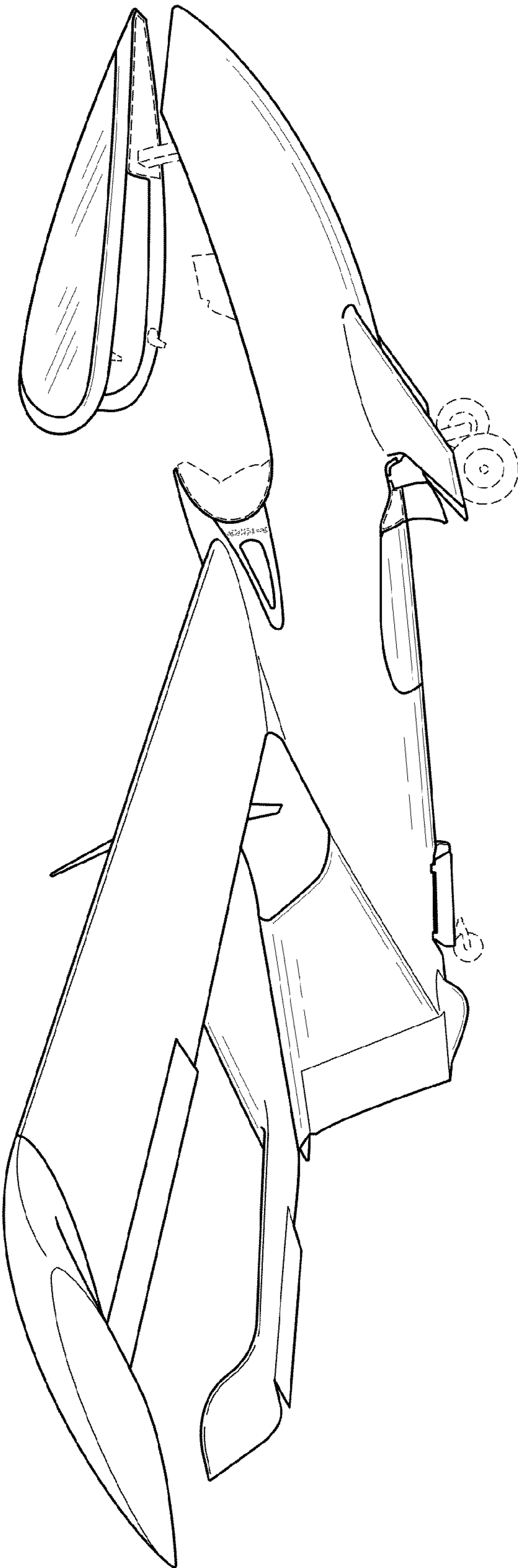


FIG. 7