



US00D717226S

(12) **United States Design Patent**
Braver et al.

(10) **Patent No.:** **US D717,226 S**
(45) **Date of Patent:** **** Nov. 11, 2014**

- (54) **DECK CONFIGURATION**
- (71) Applicants: **Skip Braver**, Miami, FL (US); **Hector Rodriguez**, Miami, FL (US); **Sidney Lanier**, Cape Coral, FL (US)
- (72) Inventors: **Skip Braver**, Miami, FL (US); **Hector Rodriguez**, Miami, FL (US); **Sidney Lanier**, Cape Coral, FL (US)
- (73) Assignee: **Cigarette Racing Team, LLC.**, Opa Locka, FL (US)
- (**) Term: **14 Years**
- (21) Appl. No.: **29/445,749**
- (22) Filed: **Feb. 15, 2013**
- (51) **LOC (10) Cl.** **12-06**
- (52) **U.S. Cl.**
USPC **D12/318**
- (58) **Field of Classification Search**
USPC 114/71, 56.1, 65 R, 140, 151, 15, 121, 114/78, 82, 61.33, 356, 343, 61.3, 61.1, 114/61.2, 61.27, 271, 288, 39.25, 77 R, 274, 114/272, 362, 373, 5, 369, 375, 68, 286, 114/291, 39.24, 280, 265, 123, 275, 61.32, 114/256, 61.12, 39.28, 278, 290, 289, 124, 114/90, 283, 273; D32/69; 410/40; D2/898, D2/919; D21/542, 543; D12/304, 303, D12/309, 300, 314, 315, 302; 89/36.12; 60/221, 233; 244/12.1; 318/588; 440/3, 440/38, 40, 1, 87; 220/543
See application file for complete search history.

(56) **References Cited**

U.S. PATENT DOCUMENTS

- D246,035 S * 10/1977 Rudiger D12/304
- 4,469,040 A * 9/1984 Gougeon et al. 114/104
- D277,472 S * 2/1985 Alter D12/303
- D290,949 S * 7/1987 Scarboro D12/315
- 4,688,506 A * 8/1987 van Breems 114/104

- 4,807,556 A * 2/1989 Hillier 114/345
- 4,917,037 A * 4/1990 Hargett, Sr. 114/357
- D315,892 S * 4/1991 Tollefson et al. D12/315
- D319,424 S * 8/1991 Marks D12/315
- 5,044,294 A * 9/1991 Kronich et al. 114/112
- 5,211,126 A * 5/1993 Johnson 114/61.2
- 5,232,385 A * 8/1993 Hatfield 440/44
- 5,934,215 A * 8/1999 Burg 114/67 A
- 5,937,777 A * 8/1999 Azima 114/61.11
- D430,098 S * 8/2000 Vuckovis D12/314
- 6,354,236 B1 * 3/2002 Davidson 114/271
- D548,666 S * 8/2007 Laupman D12/300
- 7,255,054 B1 * 8/2007 DiGregorio 114/256
- D553,071 S * 10/2007 de Rover D12/315
- D574,313 S * 8/2008 de Rover D12/300
- D587,641 S * 3/2009 Bouckaert D12/300
- 7,591,228 B2 * 9/2009 Hopper et al. 114/78
- 7,712,426 B1 * 5/2010 Ledder et al. 114/65 R
- D642,108 S * 7/2011 Gros D12/300
- 2005/0087117 A1 * 4/2005 Scott et al. 114/222
- 2009/0227157 A1 * 9/2009 Mochizuki 440/53

(Continued)

FOREIGN PATENT DOCUMENTS

EM 001380455-0001 8/2013

Primary Examiner — Eric Goodman

Assistant Examiner — Ryan Harvey

(74) *Attorney, Agent, or Firm* — Malloy & Malloy, P.L.

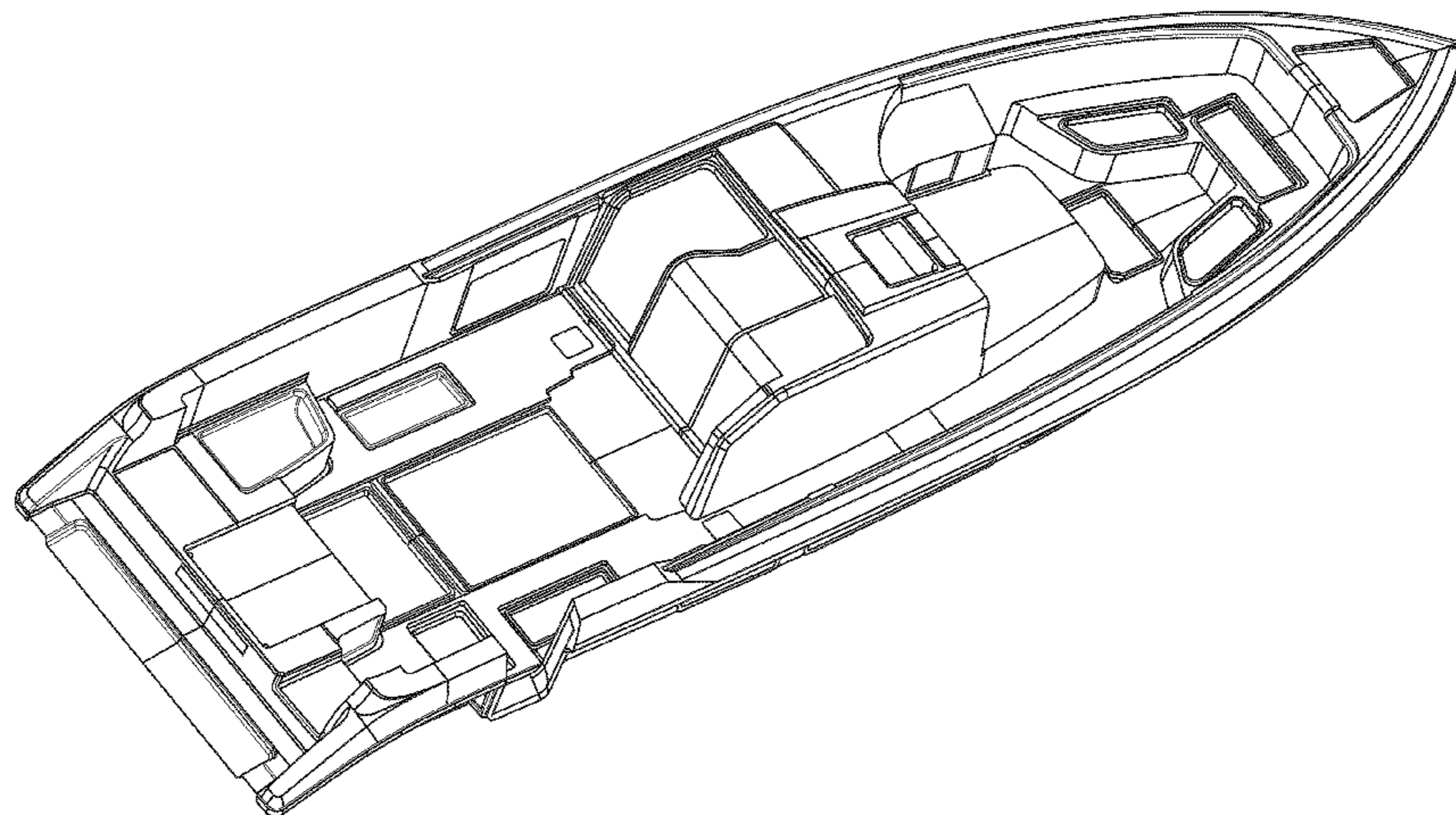
(57) **CLAIM**

The ornamental design for deck configuration, as shown and described.

DESCRIPTION

FIG. 1 is a top perspective view illustrating our design for a deck configuration;
 FIG. 2 is yet another top perspective view thereof;
 FIG. 3 is a left side view thereof;
 FIG. 4 is a right side view thereof;
 FIG. 5 is a top view thereof;
 FIG. 6 is a front view thereof; and,
 FIG. 7 is a rear view thereof.

1 Claim, 7 Drawing Sheets



(56)

References Cited

U.S. PATENT DOCUMENTS

2010/0282154	A1 *	11/2010	Cook et al.	114/112	2013/0055944	A1 *	3/2013	Poulsen	114/39.3
2011/0197800	A1 *	8/2011	Kalil	114/71	2013/0247813	A1 *	9/2013	Pegg et al.	114/363
2011/0223815	A1 *	9/2011	Kinoshita	440/1	2014/0116319	A1 *	5/2014	Dougherty et al.	114/343
					2014/0202372	A1 *	7/2014	de Basto et al.	114/77 R
					2014/0216320	A1 *	8/2014	Lee	114/121

* cited by examiner

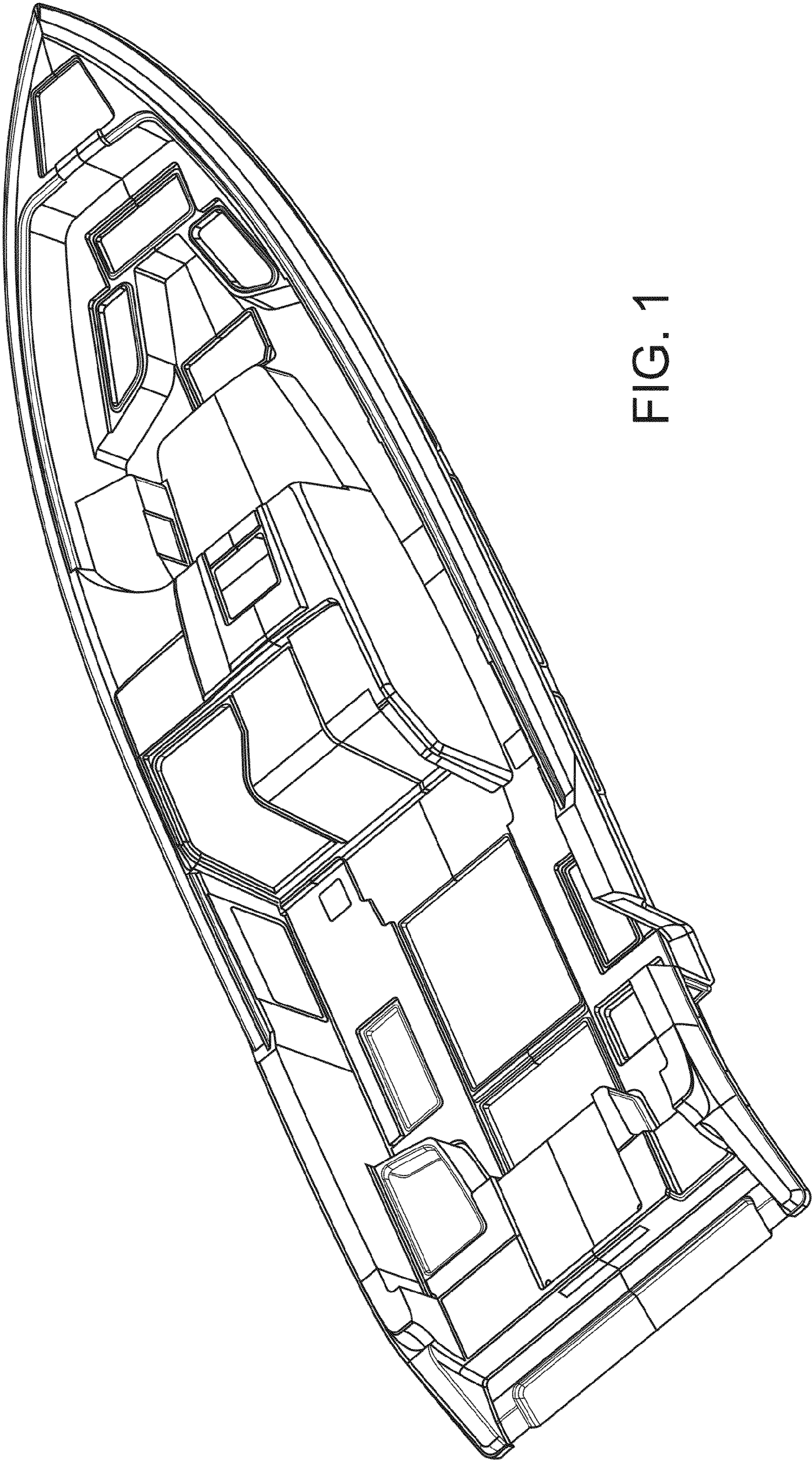


FIG. 1

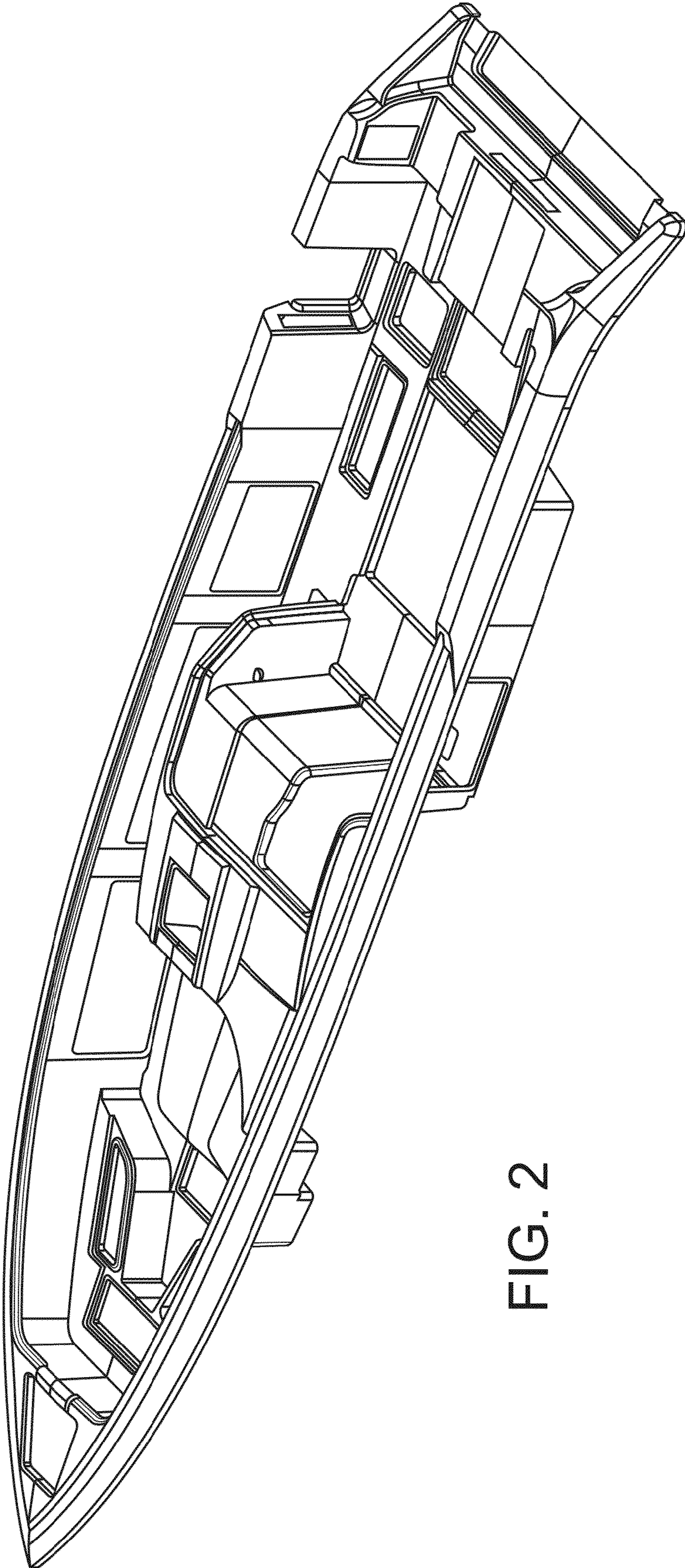


FIG. 2



FIG. 3

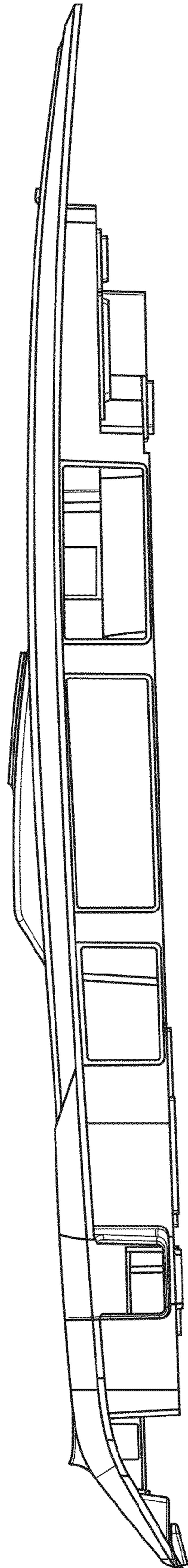


FIG. 4

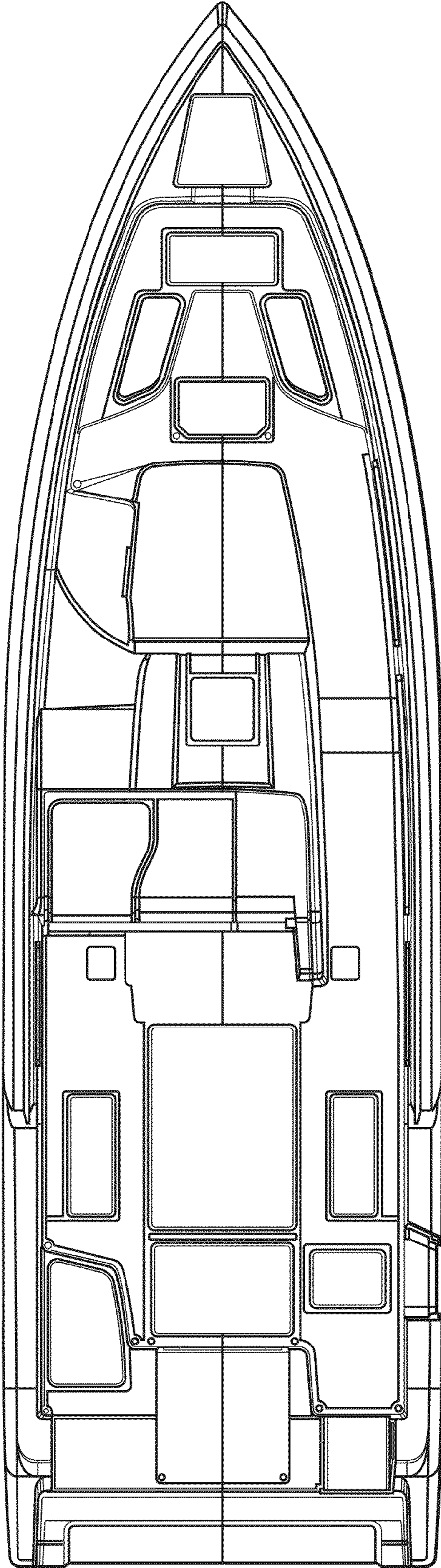


FIG. 5

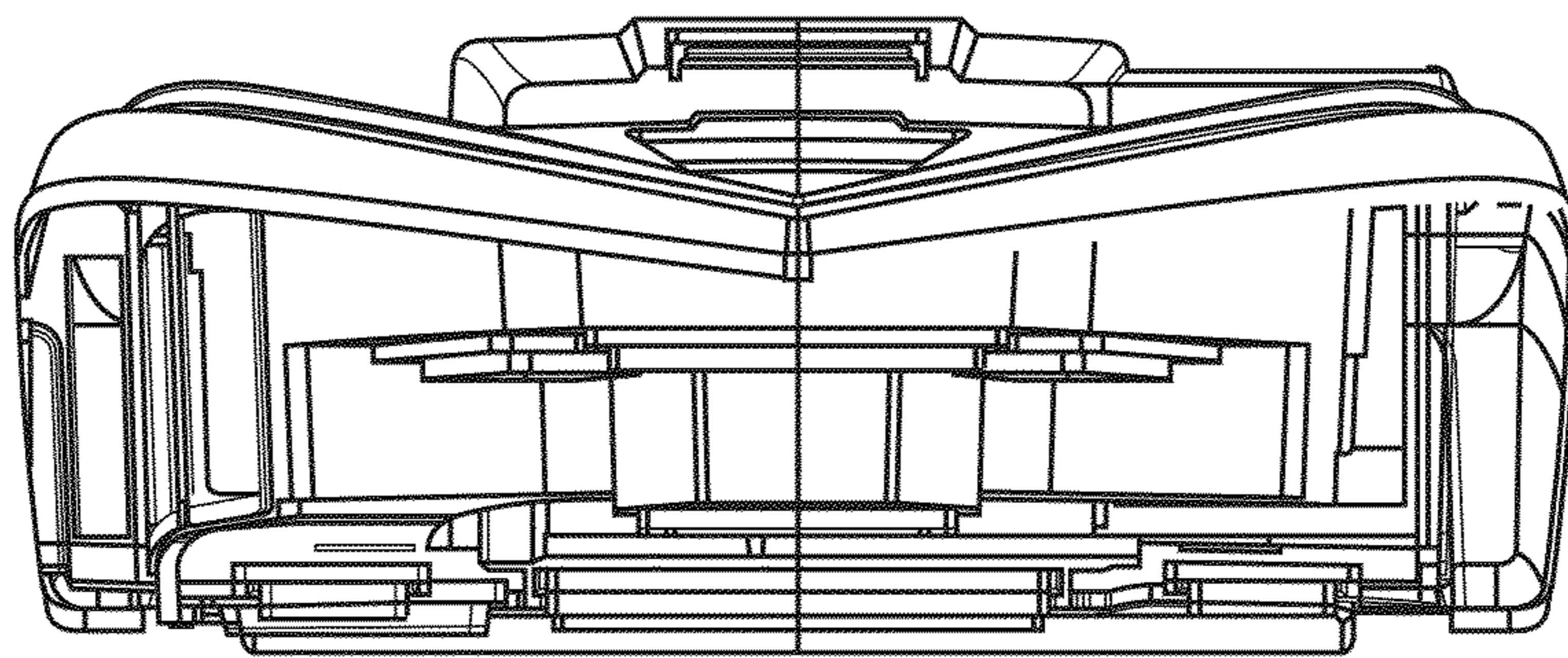


FIG. 6

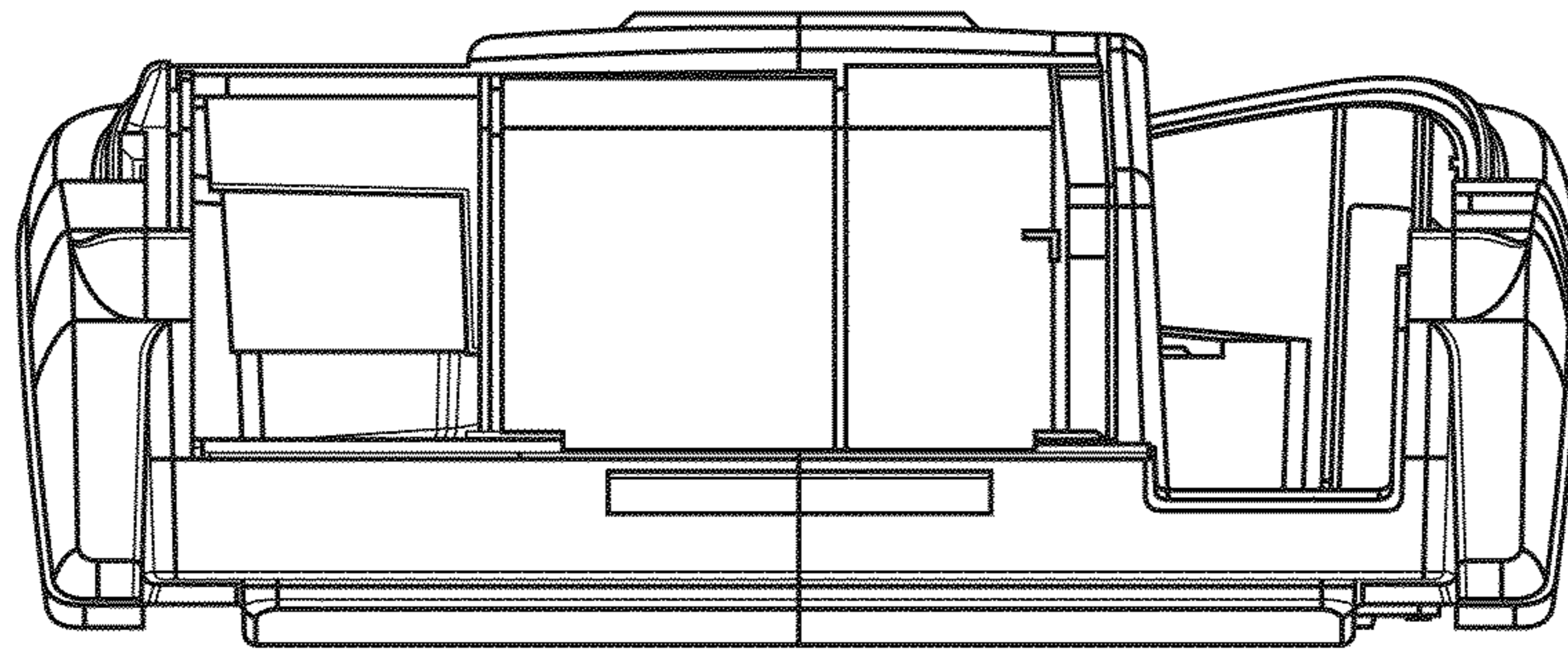


FIG. 7