



US00D717225S

(12) **United States Design Patent**
Kuo

(10) **Patent No.:** **US D717,225 S**

(45) **Date of Patent:** **** Nov. 11, 2014**

(54) **WINDSHIELD WIPER**

(56) **References Cited**

(71) Applicant: **Faidek Corporation**, Changhua County (TW)

U.S. PATENT DOCUMENTS

(72) Inventor: **Ming-Yi Kuo**, Changhua County (TW)

D524,223	S	*	7/2006	Nakano et al.	D12/219
D662,027	S	*	6/2012	Chien	D12/219
D664,490	S	*	7/2012	Chiang	D12/219
D665,325	S	*	8/2012	Kim	D12/219
D685,712	S	*	7/2013	An	D12/219
D687,363	S	*	8/2013	An	D12/219
D688,192	S	*	8/2013	An	D12/219
D688,617	S	*	8/2013	An	D12/219
D706,691	S	*	6/2014	An	D12/187

(73) Assignee: **Faidek Corporation**, Changhua County (TW)

(**) Term: **14 Years**

* cited by examiner

(21) Appl. No.: **29/493,213**

Primary Examiner — Katrina A Betton

(74) *Attorney, Agent, or Firm* — Muncy, Geissler, Olds & Lowe, P.C.

(22) Filed: **Jun. 6, 2014**

(57) **CLAIM**

I claim the ornamental design for a windshield wiper, as shown and described.

(30) **Foreign Application Priority Data**

DESCRIPTION

Dec. 12, 2013 (EM) 002369025-0001

(51) **LOC (10) Cl.** **12-06**

(52) **U.S. Cl.**
USPC **D12/220**

(58) **Field of Classification Search**
USPC D12/219-220; 15/246, 247, 250.001, 15/250.4, 250.361, 250.19, 250.48, 15/250.03, 250.31-250.33, 250.351, 15/250.38, 250.201, 250.451, 250.458, 15/250.04, 250.07, 250.44

FIG. 1 is a perspective view of a windshield wiper showing my new design;

FIG. 2 is a front elevational view thereof, the rear being a mirror image;

FIG. 3 is a left side view thereof; the right side being a mirror image;

FIG. 4 is a top plan view thereof;

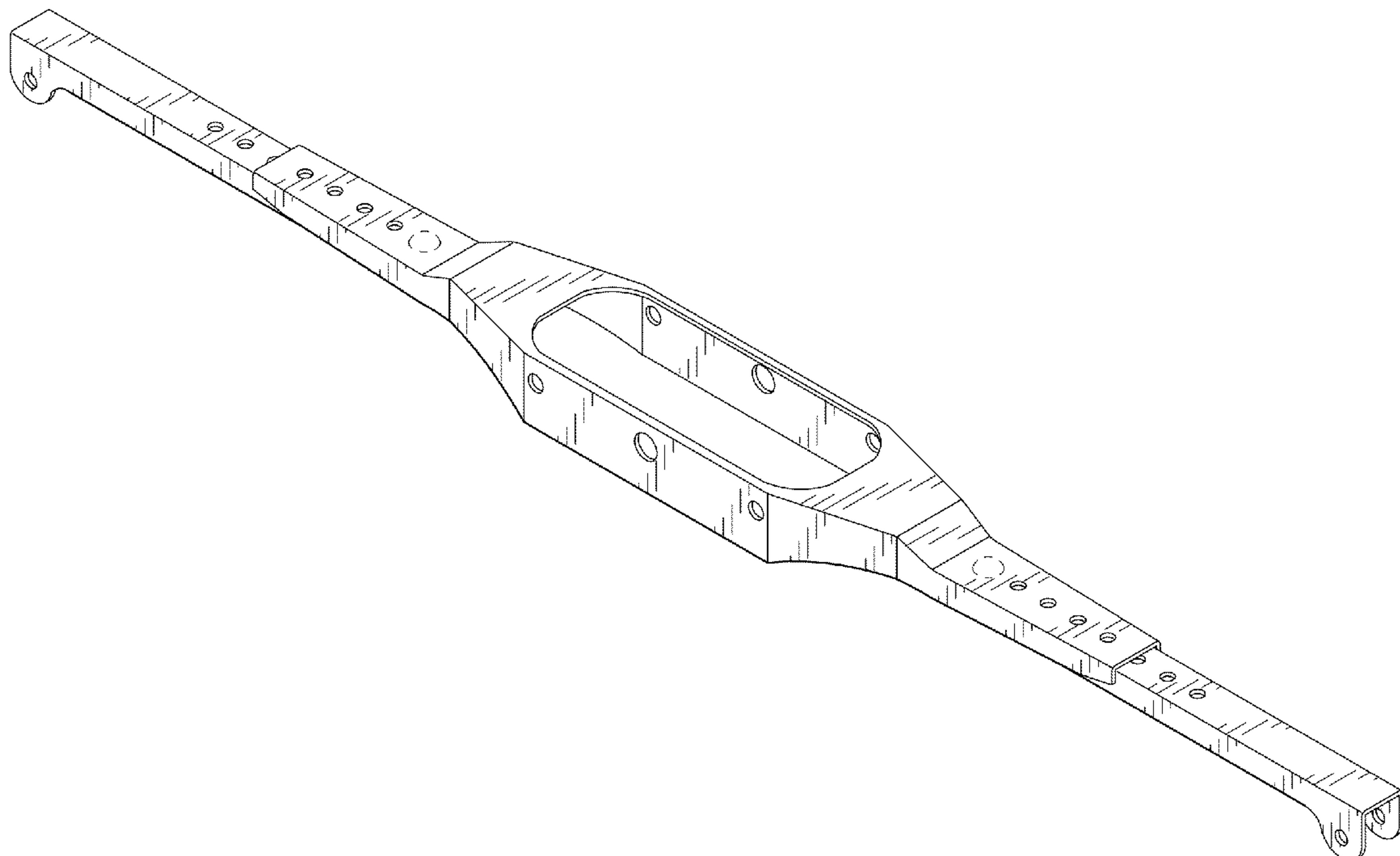
FIG. 5 is a bottom plan view thereof; and,

FIG. 6 is a perspective view showing the windshield wiper in use.

The features shown in broken lines depict environmental structure only and form no part of the claimed design.

See application file for complete search history.

1 Claim, 5 Drawing Sheets



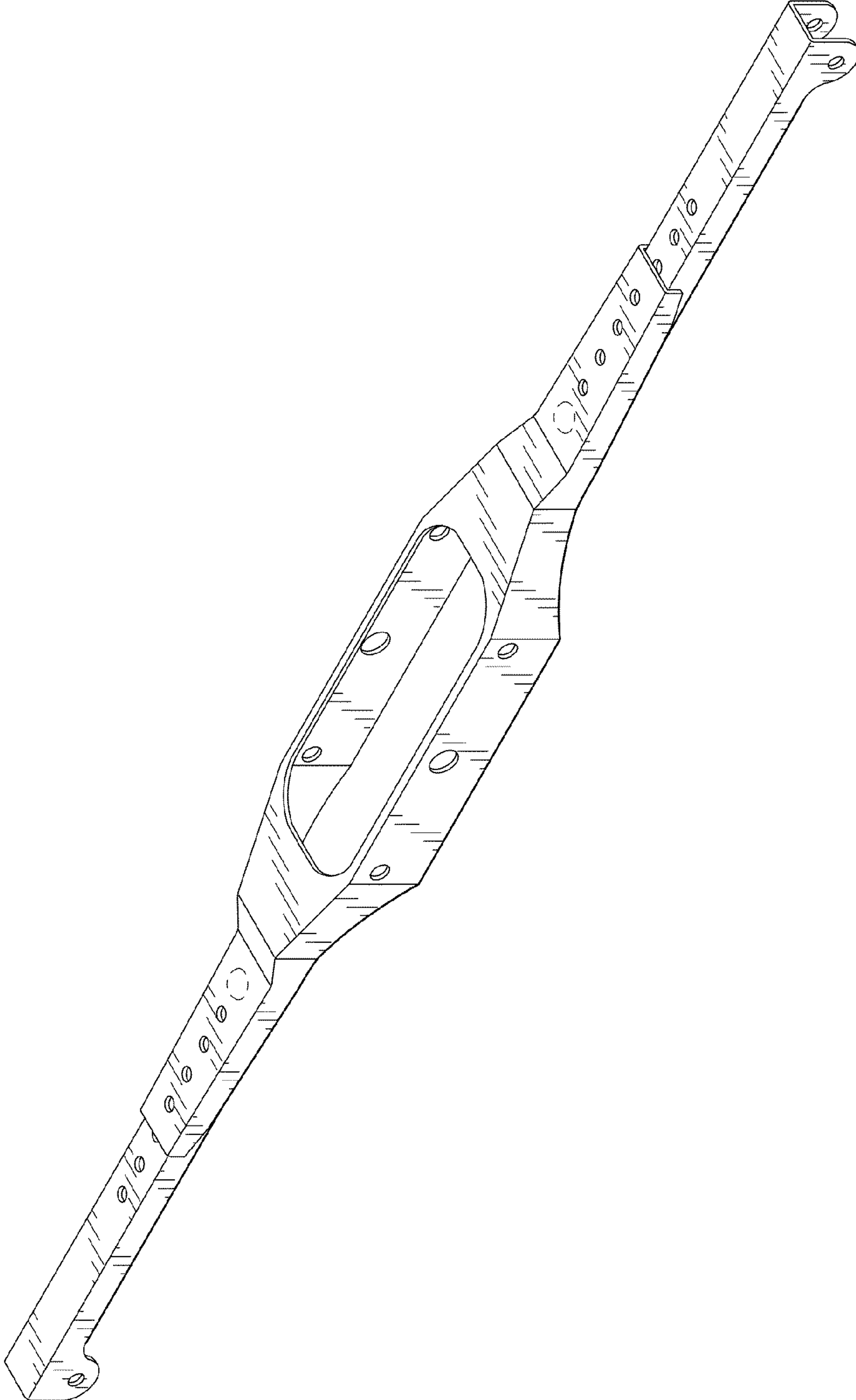


FIG. 1

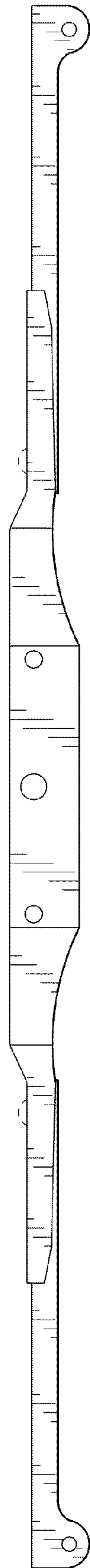


FIG. 2

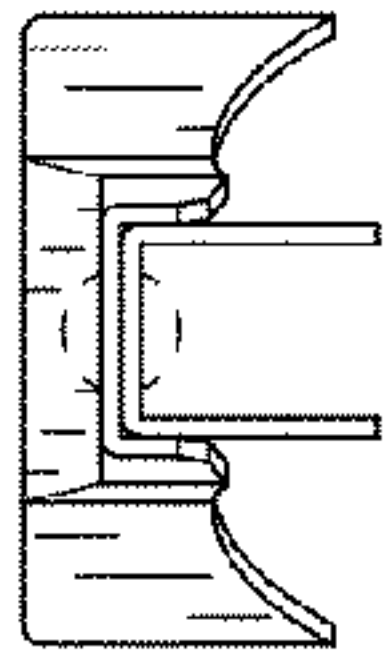


FIG. 3

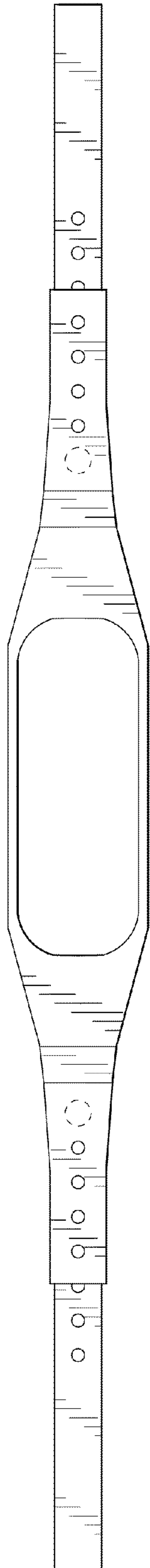


FIG. 4

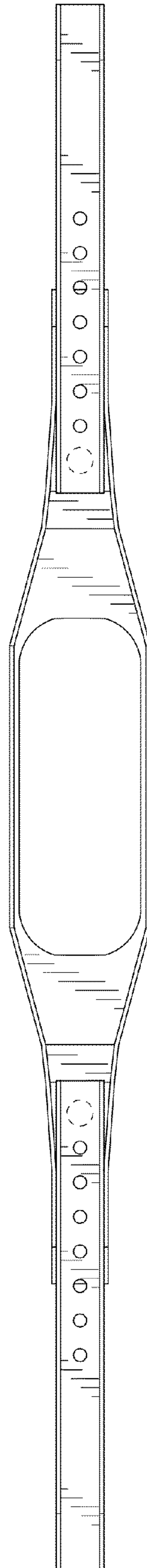


FIG. 5

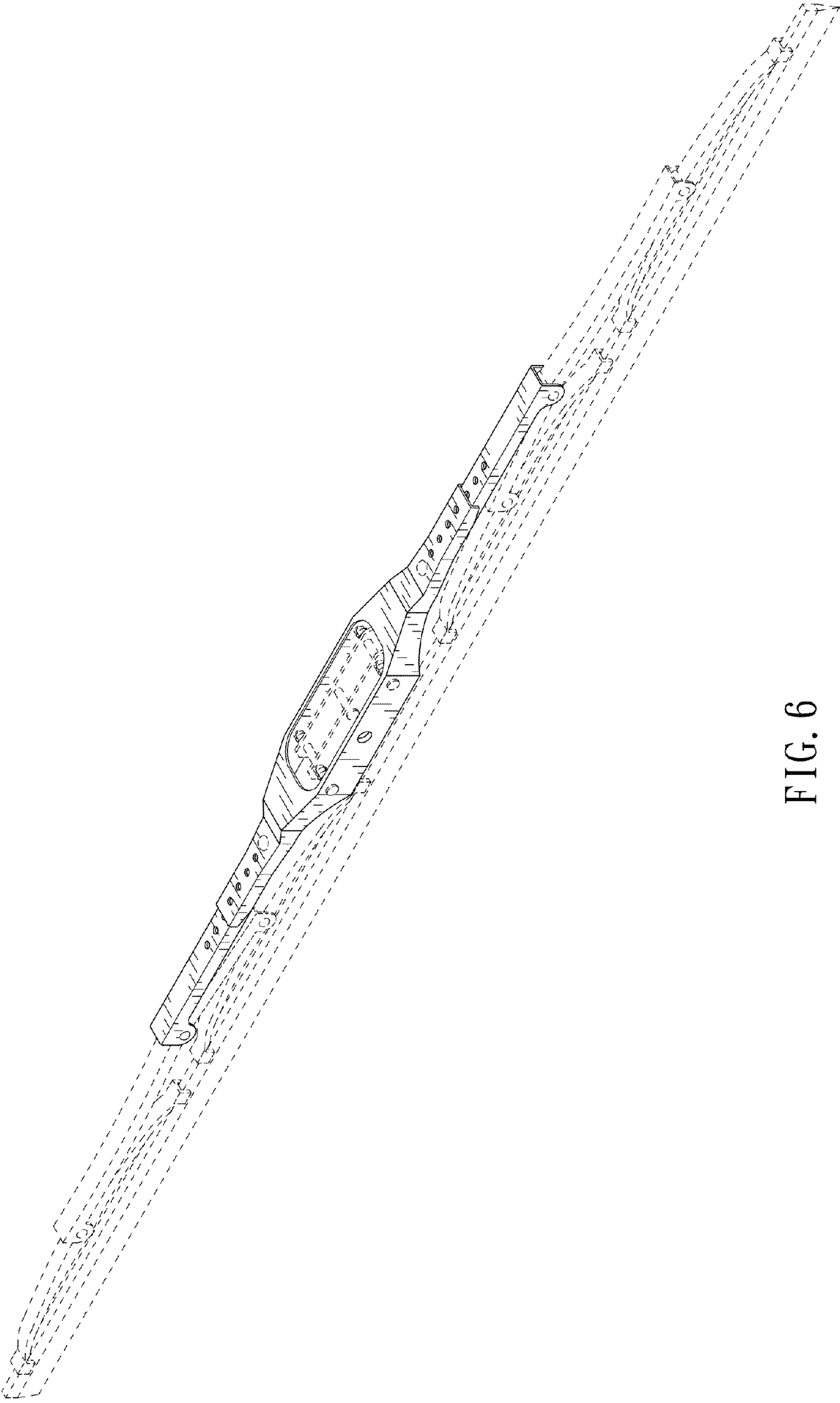


FIG. 6