



US00D717221S

(12) **United States Design Patent**
Borkert

(10) **Patent No.:** **US D717,221 S**
(45) **Date of Patent:** **** Nov. 11, 2014**

(54) **REAR SPOILER FOR A MOTOR VEHICLE**

(75) Inventor: **Mitja Borkert**, Stuttgart (DE)

(73) Assignee: **Dr. Ing. h.c. F. Porsche**
Aktiengesellschaft, Stuttgart (DE)

(**) Term: **14 Years**

(21) Appl. No.: **29/420,983**

(22) Filed: **May 15, 2012**

(30) **Foreign Application Priority Data**

Nov. 17, 2011 (DE) 40 2011 006 318

(51) **LOC (10) CL.** **12-08**

(52) **U.S. Cl.**
USPC **D12/181; D12/196**

(58) **Field of Classification Search**
USPC D12/85, 86, 88, 90, 91, 92, 180, 181,
D12/190, 191, 196, 197, 400; 180/903;
280/88, 770, 727, 848; 296/91,
296/180.1–180.5, 181.1, 181.5
See application file for complete search history.

(56) **References Cited**

U.S. PATENT DOCUMENTS

D414,733 S * 10/1999 Saleen et al. D12/181
D423,431 S * 4/2000 Minh D12/181

D512,668 S * 12/2005 Preiss D12/181
D516,478 S * 3/2006 Kulla D12/181
D535,598 S * 1/2007 Murkett D12/181
7,175,229 B2 * 2/2007 Garcia 296/180.1
7,311,351 B1 * 12/2007 Nahm et al. 296/180.1
D566,021 S * 4/2008 Grant et al. D12/181
D614,098 S * 4/2010 Larson D12/181
D625,232 S * 10/2010 Borkert D12/181
D669,407 S * 10/2012 Varga D12/196
2012/0061992 A1 * 3/2012 Ezaka 296/180.1
2012/0229351 A1 * 9/2012 Fellows et al. 343/702

* cited by examiner

Primary Examiner — Philip S Hyder

Assistant Examiner — Darlington Ly

(74) *Attorney, Agent, or Firm* — RatnerPrestia

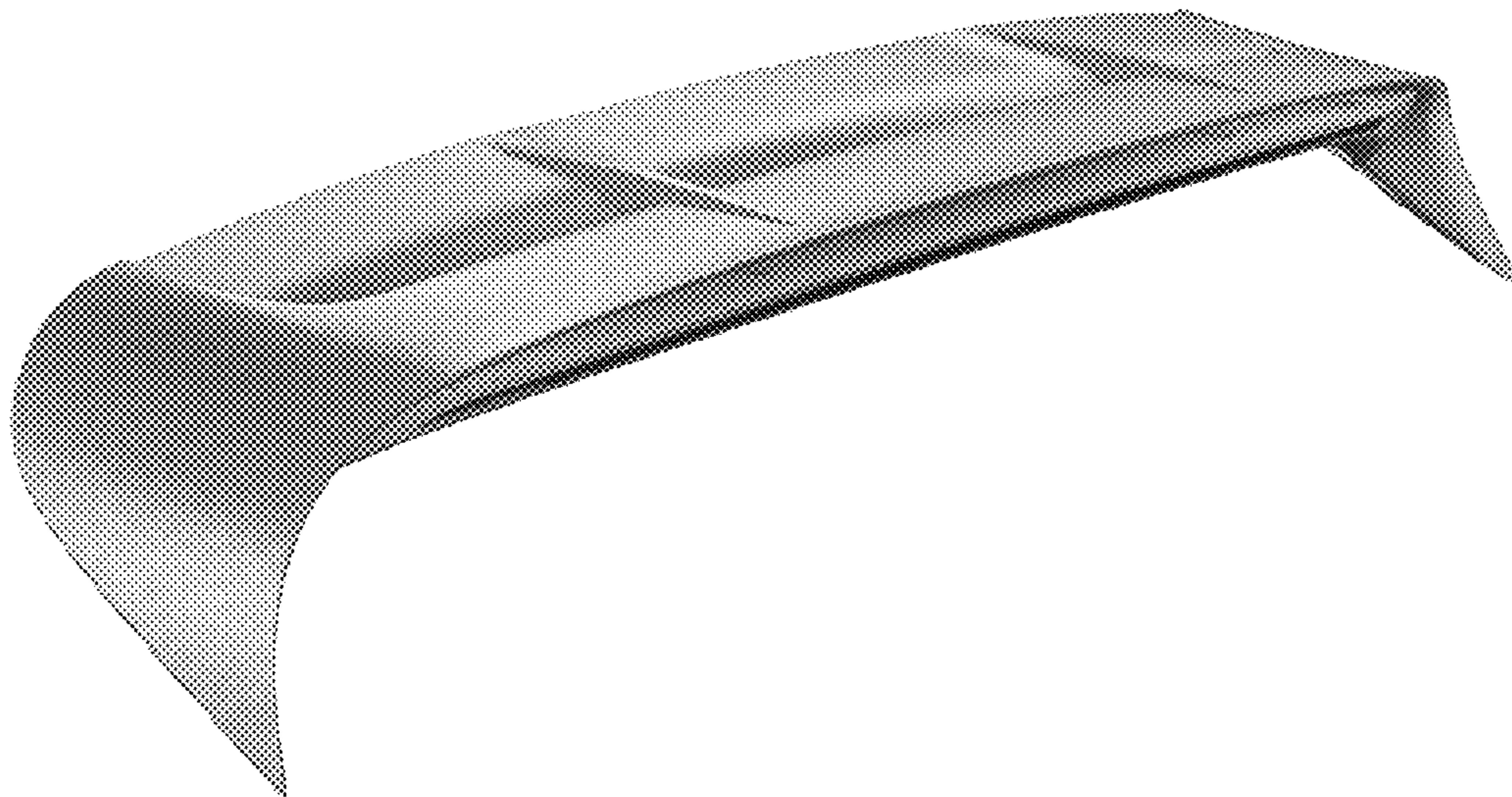
(57) **CLAIM**

The ornamental design for a rear spoiler for a motor vehicle, as shown and described.

DESCRIPTION

FIG. 1 is a perspective view of a rear spoiler for a motor vehicle;
FIG. 2 is a front elevation view thereof;
FIG. 3 is a rear elevation view thereof;
FIG. 4 is an elevation view from the left side thereof;
FIG. 5 is an elevation view from the right side thereof; and,
FIG. 6 is a top plan view thereof.

1 Claim, 4 Drawing Sheets



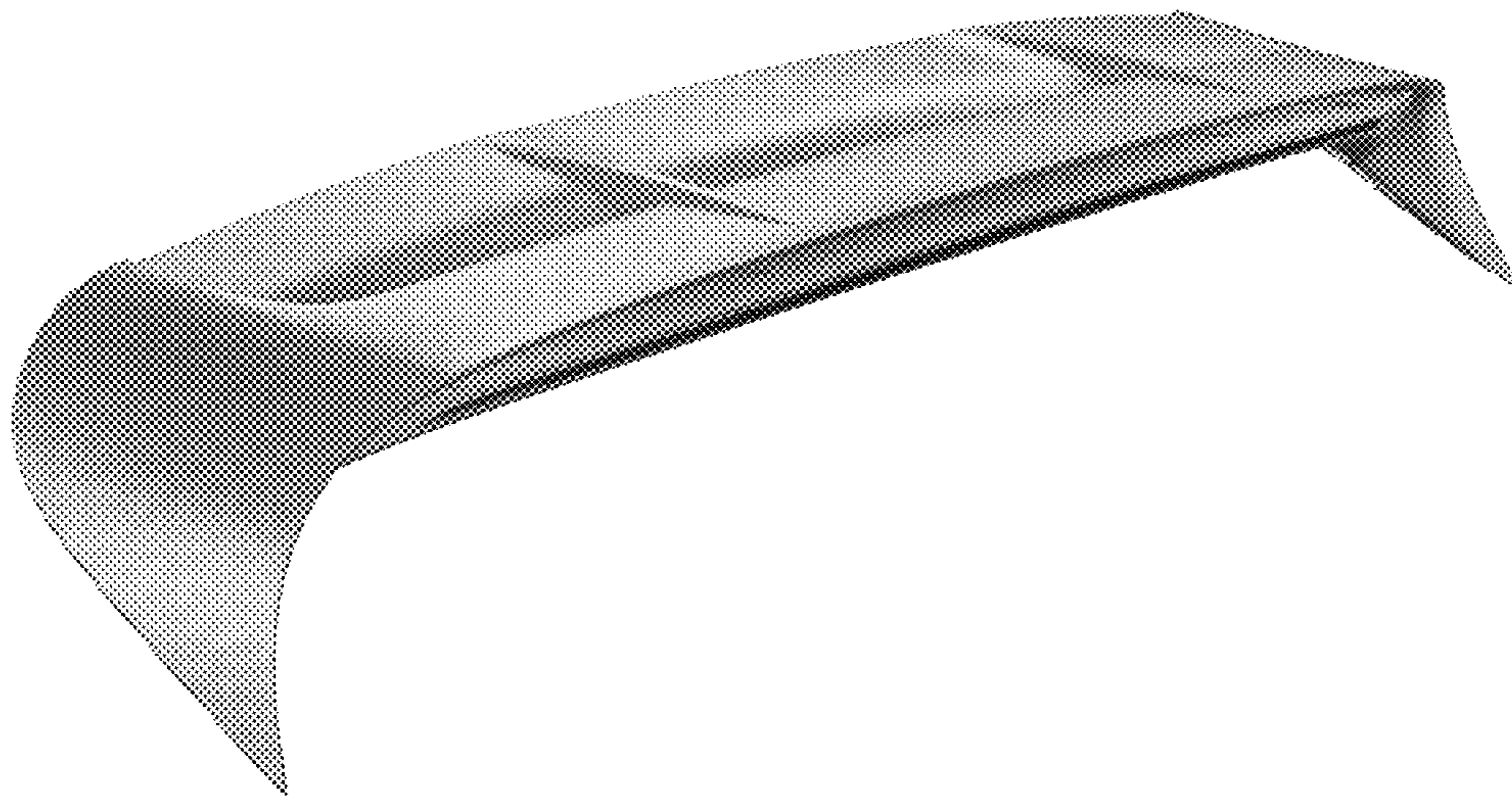


Figure 1



Figure 2



Figure 3

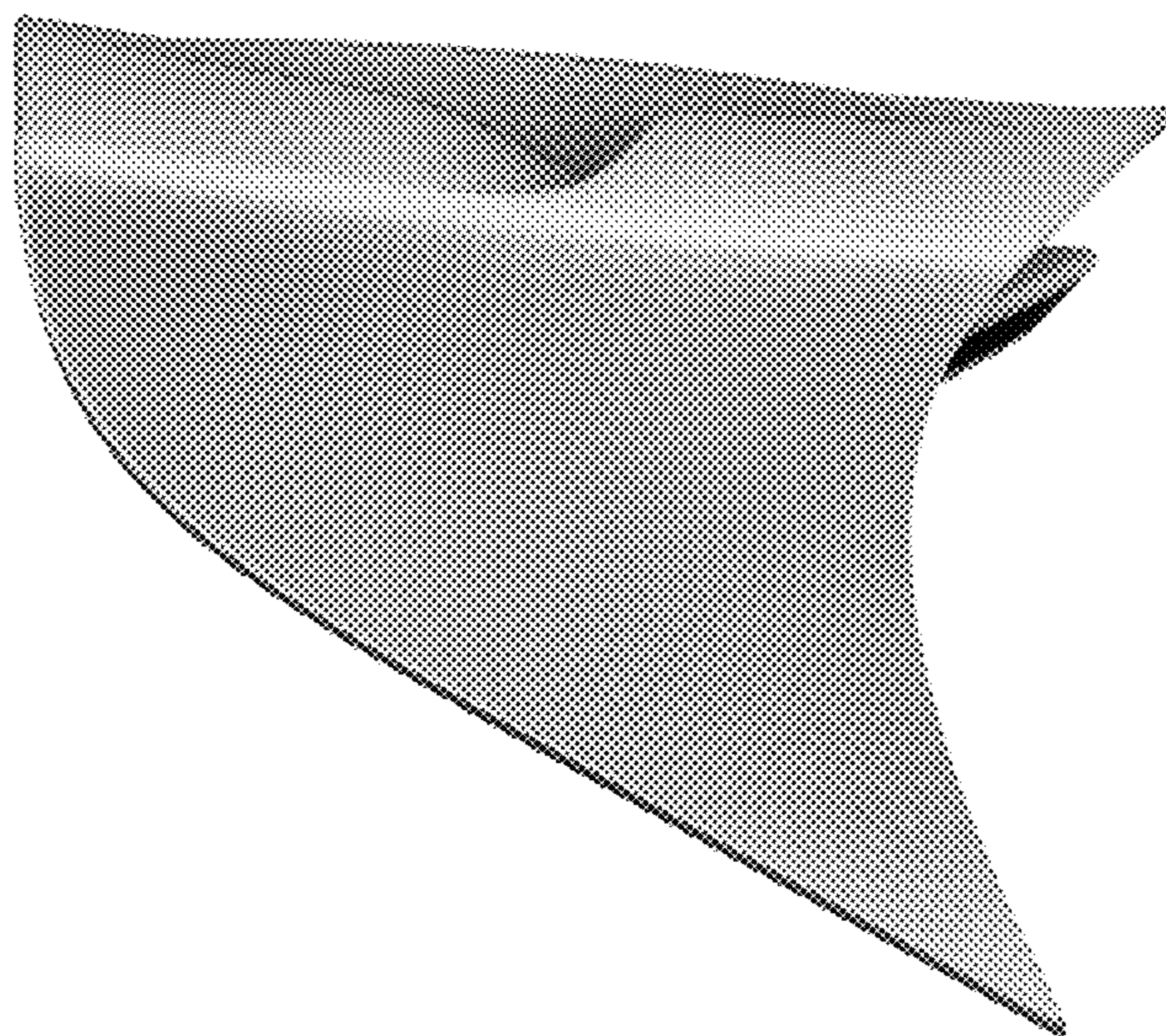


Figure 4

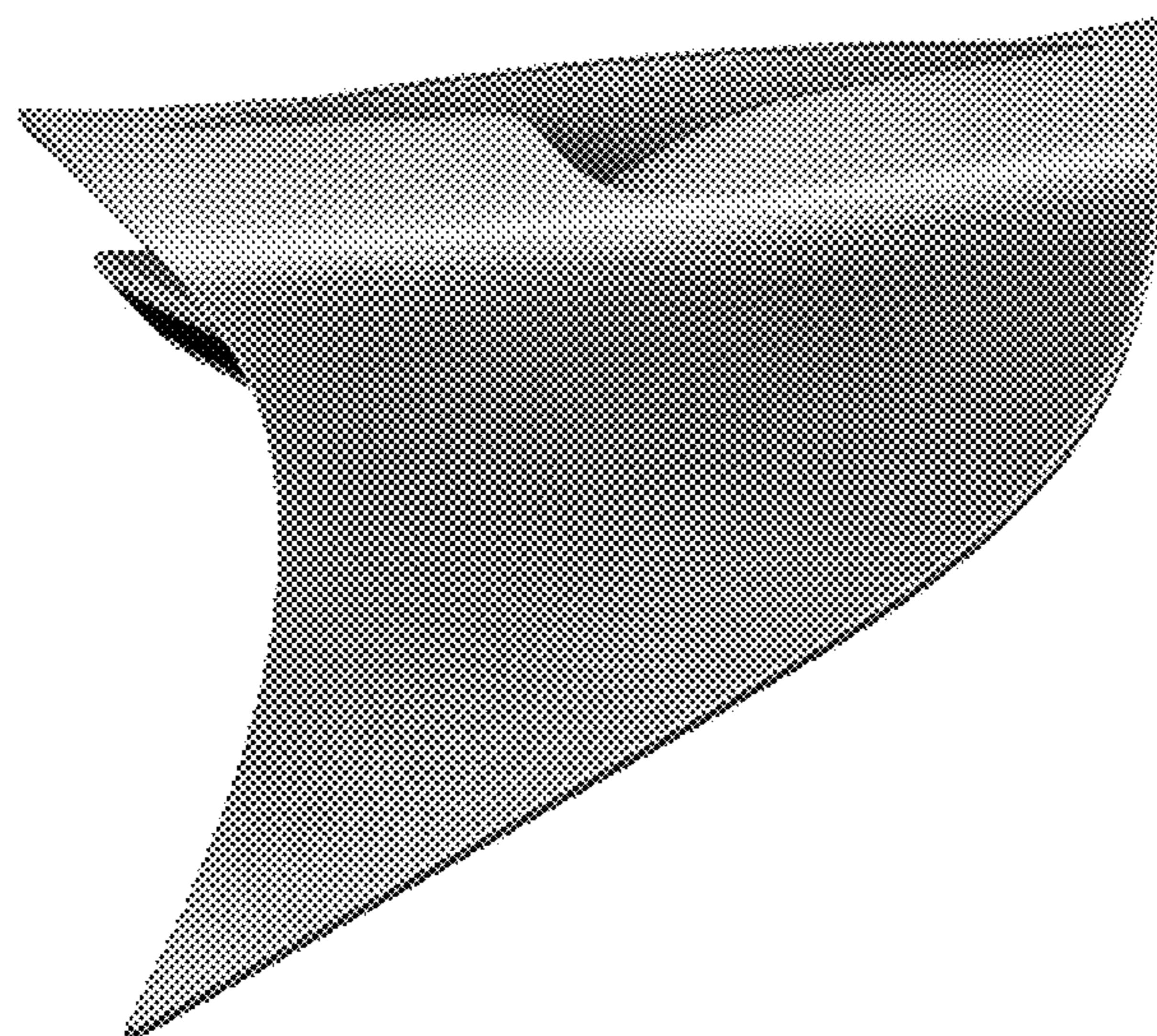


Figure 5

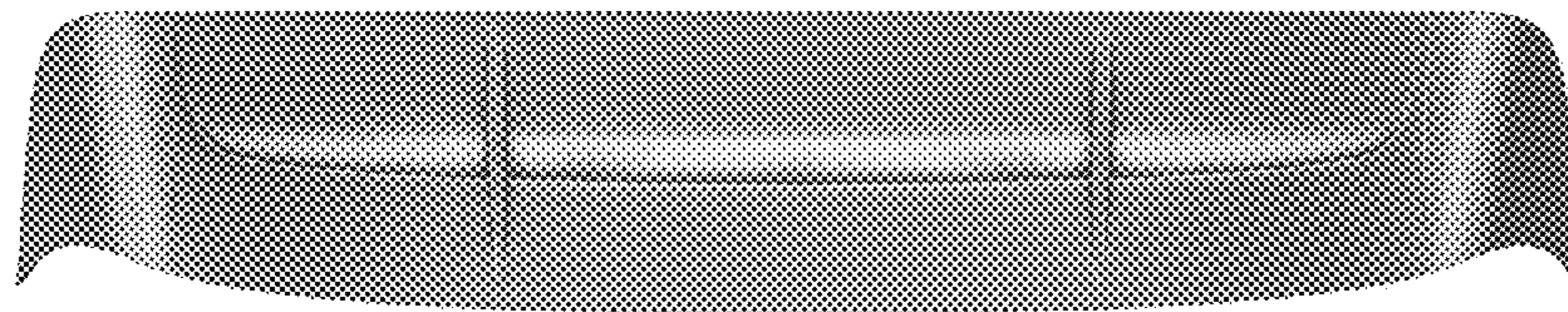


Figure 6