



US00D717218S

(12) **United States Design Patent**
Tafe

(10) **Patent No.:** **US D717,218 S**

(45) **Date of Patent:** **** Nov. 11, 2014**

(54) **AUTOMOTIVE RADIATOR**

(71) Applicant: **Resource Int'l, Inc.**, New Castle, DE (US)

(72) Inventor: **Daniel Tafe**, Wilmington, DE (US)

(73) Assignee: **Resource Intl, Inc.**, New Castle, DE (US)

(**) Term: **14 Years**

(21) Appl. No.: **29/497,487**

(22) Filed: **Jul. 24, 2014**

(51) **LOC (10) Cl.** **12-16**

(52) **U.S. Cl.**
USPC **D12/166**

(58) **Field of Classification Search**
CPC F28F 9/001; F28D 1/05366; F28D 1/0435
USPC D12/164, 165, 166; 165/67, 140, 148,
165/149; 180/68.4; 228/183
See application file for complete search history.

(56) **References Cited**

U.S. PATENT DOCUMENTS

D263,461	S *	3/1982	Young	D12/166
5,183,103	A *	2/1993	Tokutake	165/67
6,899,167	B2 *	5/2005	Martins et al.	165/140
7,320,360	B2 *	1/2008	Leitch et al.	165/149
7,395,853	B2 *	7/2008	Kroetsch et al.	165/149
7,500,514	B2 *	3/2009	Heine	165/140
7,637,309	B2 *	12/2009	Contet	165/67
7,637,313	B2 *	12/2009	Taniguchi et al.	165/148
D619,511	S *	7/2010	Sullivan	D12/166
D647,436	S *	10/2011	Sullivan	D12/166
8,061,410	B2 *	11/2011	Machanek	165/76
2002/0056541	A1 *	5/2002	Kokubunji et al.	165/67
2010/0059214	A1 *	3/2010	Xu	165/148

OTHER PUBLICATIONS

Mishimoto Automotive. "2008-2010 Ford 6.4L Powerstroke Performance Radiator by Mishimoto . . ." YouTube., Sep. 3, 2013 [online], [retrieved on Sep. 21, 2014]. Retrieved from the Internet <URL: http://www.youtube.com/watch?v=6AyaKA_i0bE>.*
"2011-2014 Ford 6.7L Powerstroke Performance Aluminum Radiator, Part 2: Prototype Design . . ." Mishimoto Engineering., Aug. 29, 2014 [online], [retrieved on Sep. 21, 2014]. Retrieved from the Internet <URL: <http://engineering.mishimoto.com/2014/08/2011-2014-ford-6-7l-powerstroke-performance-aluminum-radiator-part-2-prototype-design-evaluation/>>.*

* cited by examiner

Primary Examiner — Philip S Hyder

Assistant Examiner — Darlington Ly

(74) *Attorney, Agent, or Firm* — Michael J. Sullivan

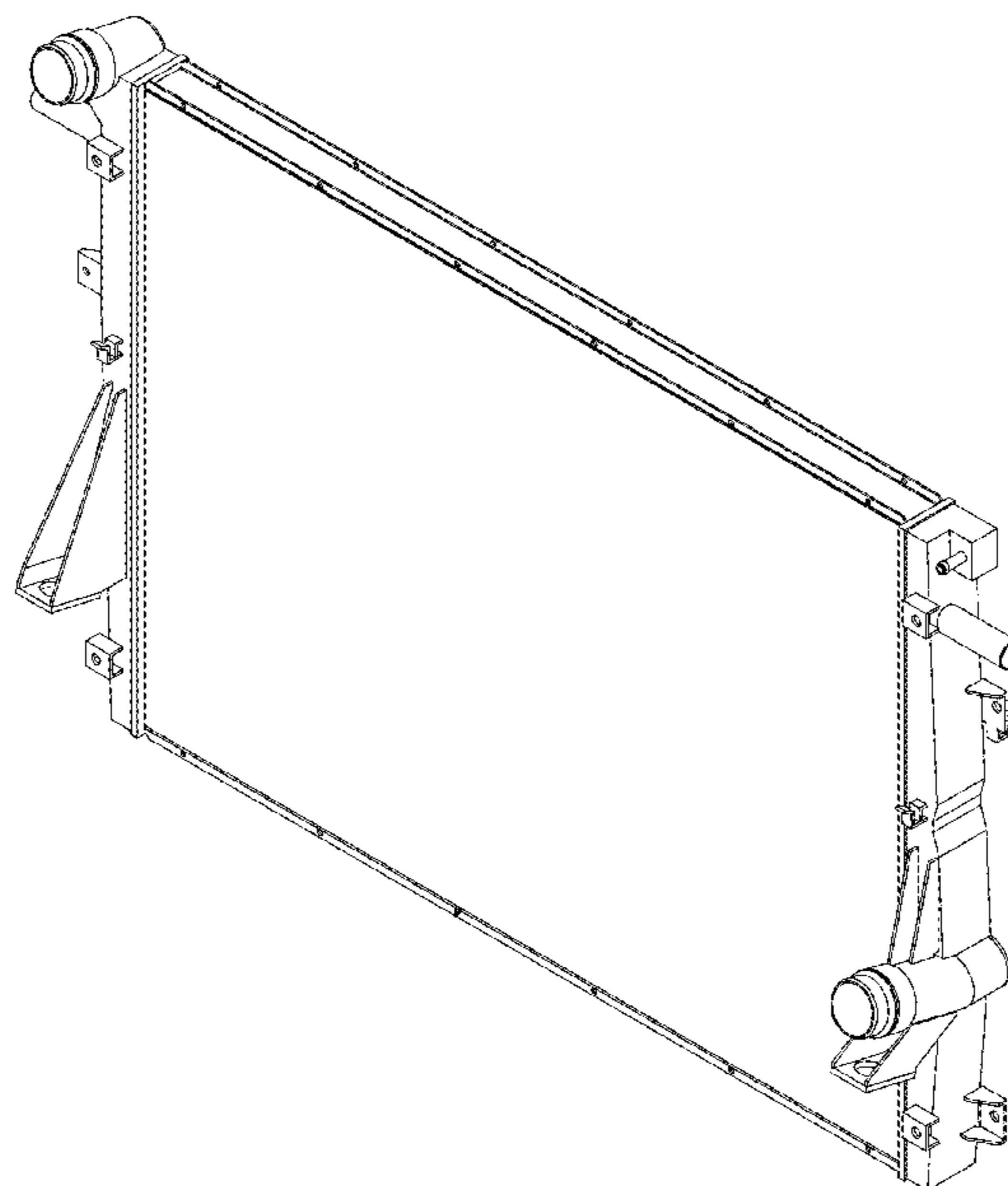
(57) **CLAIM**

The ornamental design for an automotive radiator, as shown and described.

DESCRIPTION

FIG. 1 is a front top perspective view of the automotive radiator;
FIG. 2 is a front elevation view thereof;
FIG. 3 is a rear elevation view thereof;
FIG. 4 is a left side elevation view thereof;
FIG. 5 is a right side elevation view thereof;
FIG. 6 is a top view thereof; and,
FIG. 7 is a bottom view thereof.
The broken lines shown in the drawings illustrate portions of the automotive radiator that forms no part of claimed design.

1 Claim, 7 Drawing Sheets



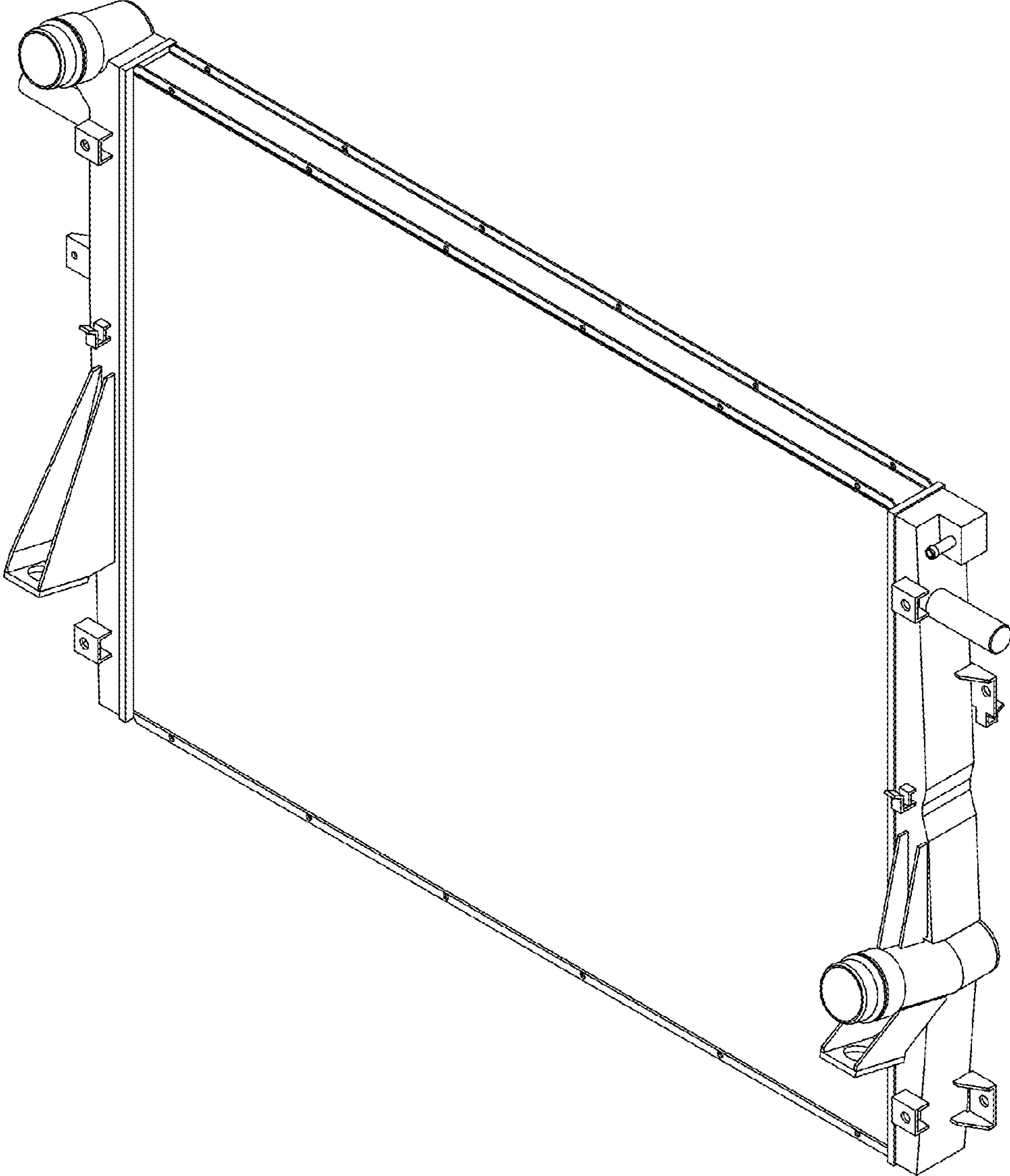


FIG. 1

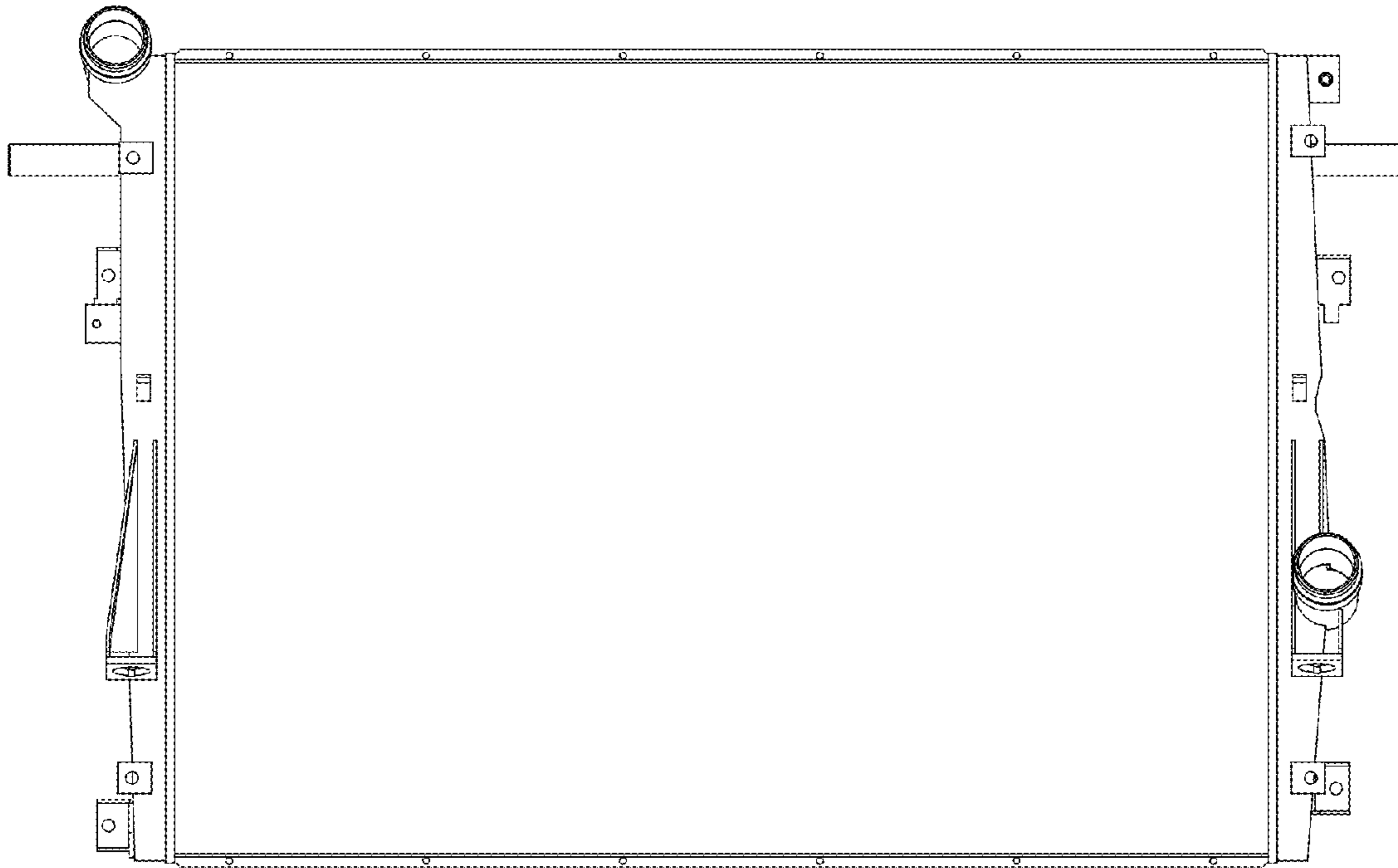


FIG. 2

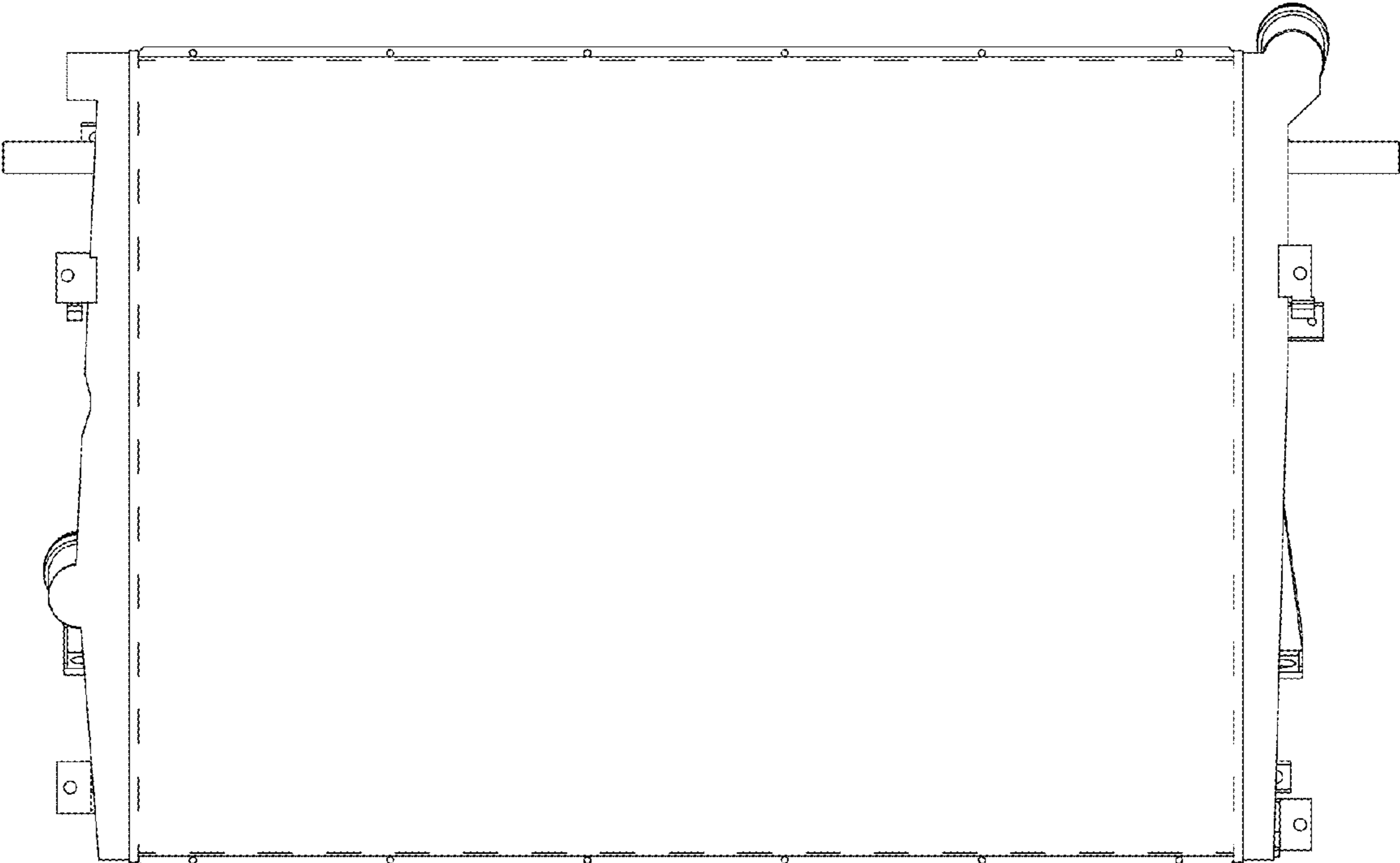


FIG. 3

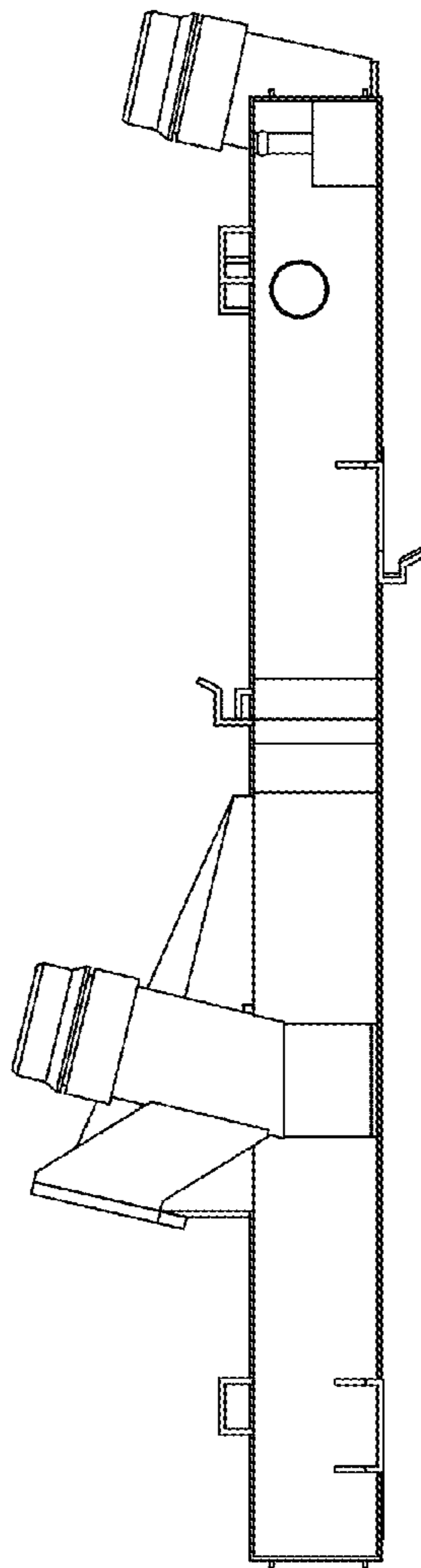


FIG. 4

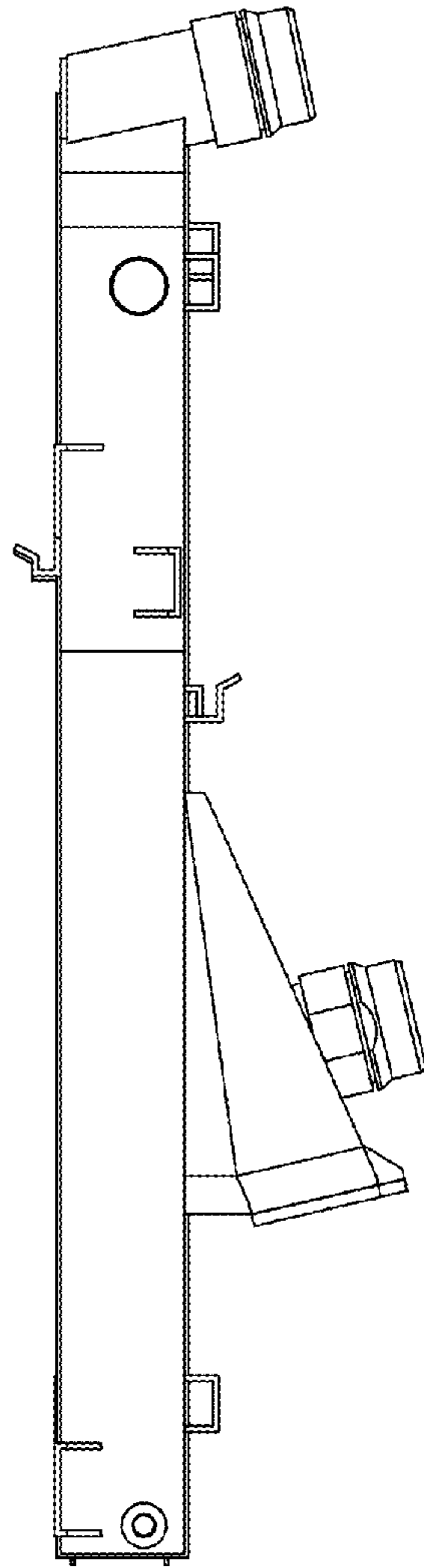


FIG. 5

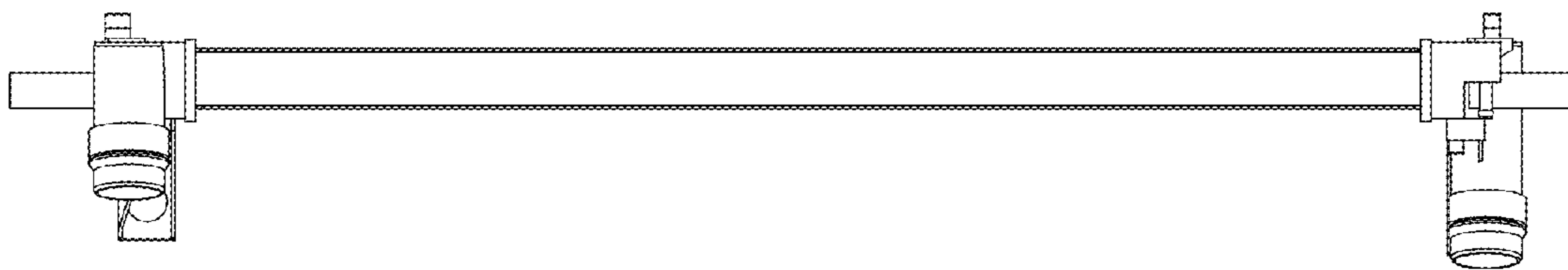


FIG. 6

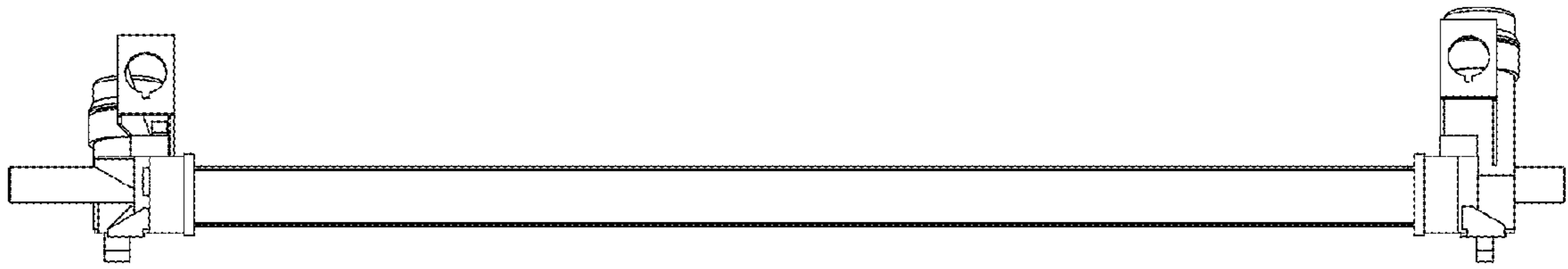


FIG. 7

UNITED STATES PATENT AND TRADEMARK OFFICE
CERTIFICATE OF CORRECTION

PATENT NO. : D717,218 S
APPLICATION NO. : 29/497487
DATED : November 11, 2014
INVENTOR(S) : Daniel Tafe

Page 1 of 1

It is certified that error appears in the above-identified patent and that said Letters Patent is hereby corrected as shown below:

Title Page

The Applicant name contains a typo in the form of an unnecessary inserted apostrophe in the Applicant name. The correctly spelled Applicant name should be "Resource Intl, Inc." and the same as it appears next to "Assignee:".

Signed and Sealed this
Eighteenth Day of August, 2015



Michelle K. Lee
Director of the United States Patent and Trademark Office