



US00D717216S

(12) **United States Design Patent**
Dunn et al.

(10) **Patent No.:** **US D717,216 S**

(45) **Date of Patent:** **** Nov. 11, 2014**

(54) **DIFFERENTIAL COVER**

(71) Applicant: **Drake Automotive Group**, Henderson,
NV (US)

(72) Inventors: **Timothy Dunn**, Las Vegas, NV (US);
Scott Drake, Las Vegas, NV (US)

(73) Assignee: **Drake Automotive Group**, Henderson,
NV (US)

(**) Term: **14 Years**

(21) Appl. No.: **29/450,064**

(22) Filed: **Mar. 15, 2013**

(51) **LOC (10) Cl.** **12-16**

(52) **U.S. Cl.**
USPC **D12/160**

(58) **Field of Classification Search**
USPC D12/159, 160; D15/148; 74/606 A,
74/606 R, 607; 141/94-95; 184/1.5, 6.4,
184/6.12, 104.3, 105.1
See application file for complete search history.

(56) **References Cited**

U.S. PATENT DOCUMENTS

4,261,219 A * 4/1981 Suzuki et al. 74/467
D424,988 S * 5/2000 Rothlisberger D12/160
6,796,404 B1 * 9/2004 Dick et al. 188/1.11 E

8,109,174 B2 * 2/2012 Hilker et al. 74/606 A
8,684,876 B2 * 4/2014 Corless et al. 475/160
2006/0157939 A1 * 7/2006 Beutler 277/313

* cited by examiner

Primary Examiner — Michael A Pratt

(74) *Attorney, Agent, or Firm* — Koppel, Patrick, Heybl &
Philpott

(57) **CLAIM**

The ornamental design for a differential cover, as shown and
described herein.

DESCRIPTION

FIG. 1 is a perspective view of a differential cover according
to the present invention;

FIG. 2 is a front elevation view of the differential cover shown
in FIG. 1;

FIG. 3 is a left side view of the differential cover shown in
FIG. 1;

FIG. 4 is a right side view of the differential cover shown in
FIG. 1;

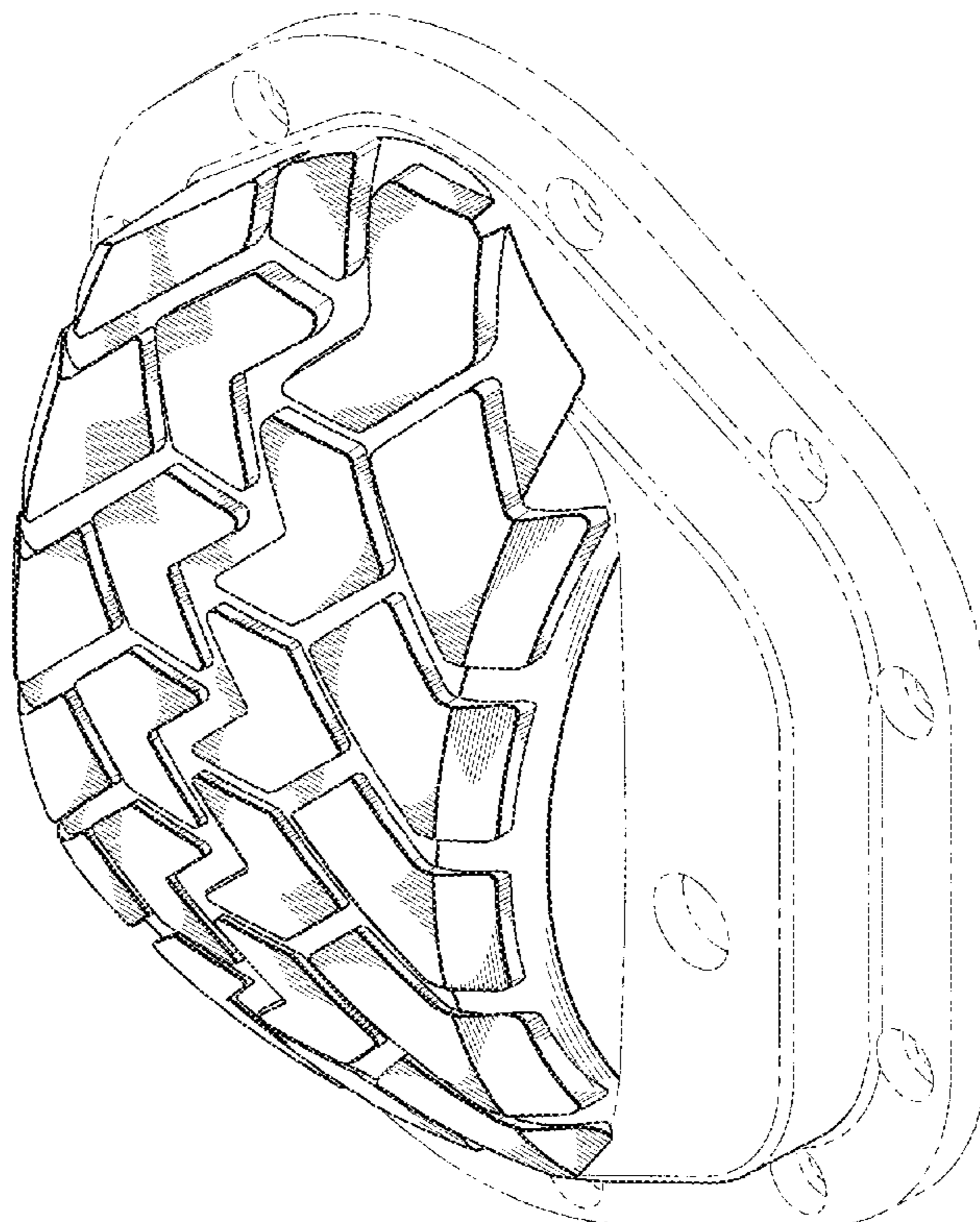
FIG. 5 is a top plan view of the differential cover shown in
FIG. 1;

FIG. 6 is a bottom plan view of the differential cover shown in
FIG. 1; and,

FIG. 7 is a rear elevation view of the differential cover shown
in FIG. 1.

The broken lines shown in FIGS. 8-14 depict environmental
subject matter only and form no part of the claimed design.

1 Claim, 4 Drawing Sheets



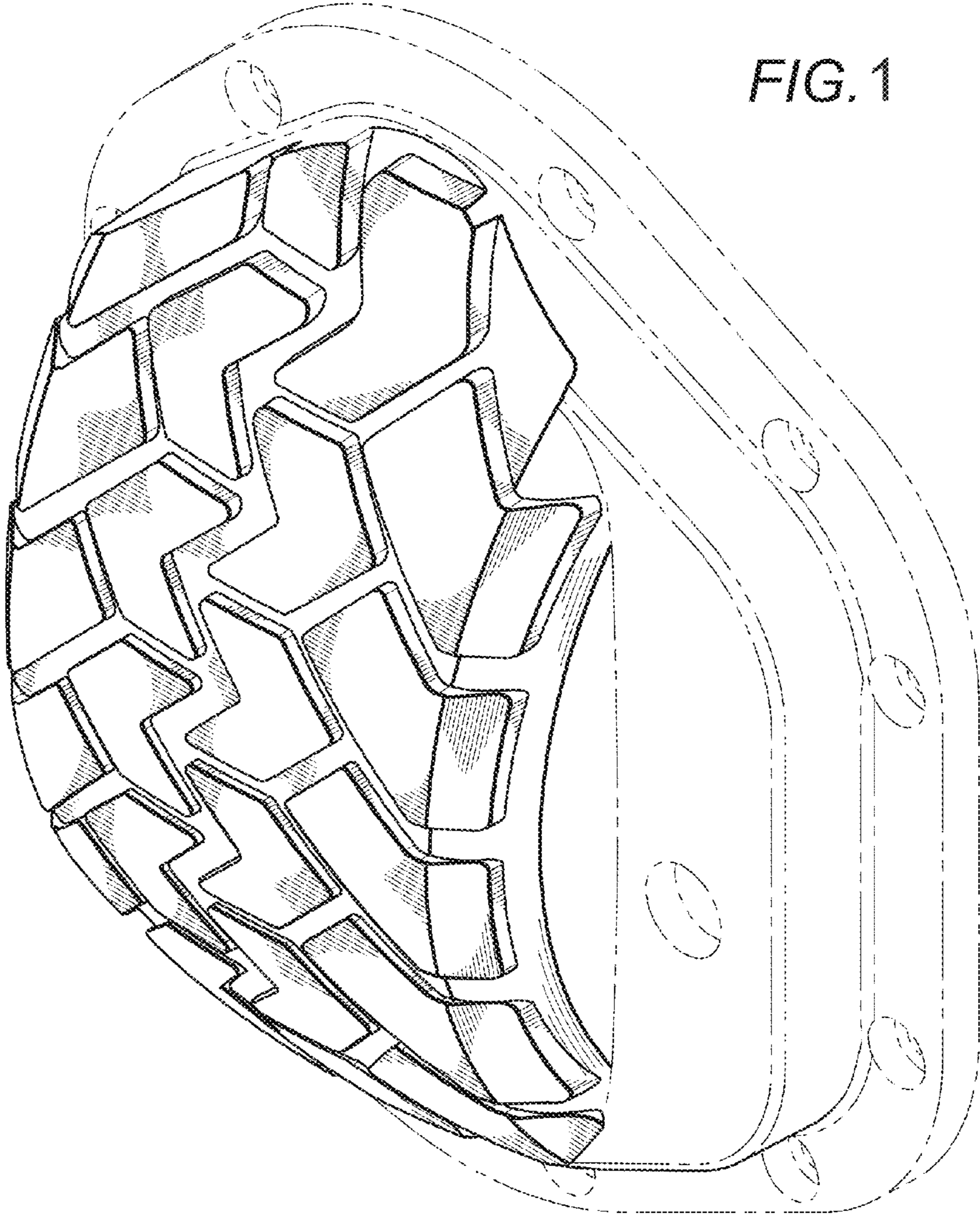


FIG. 1

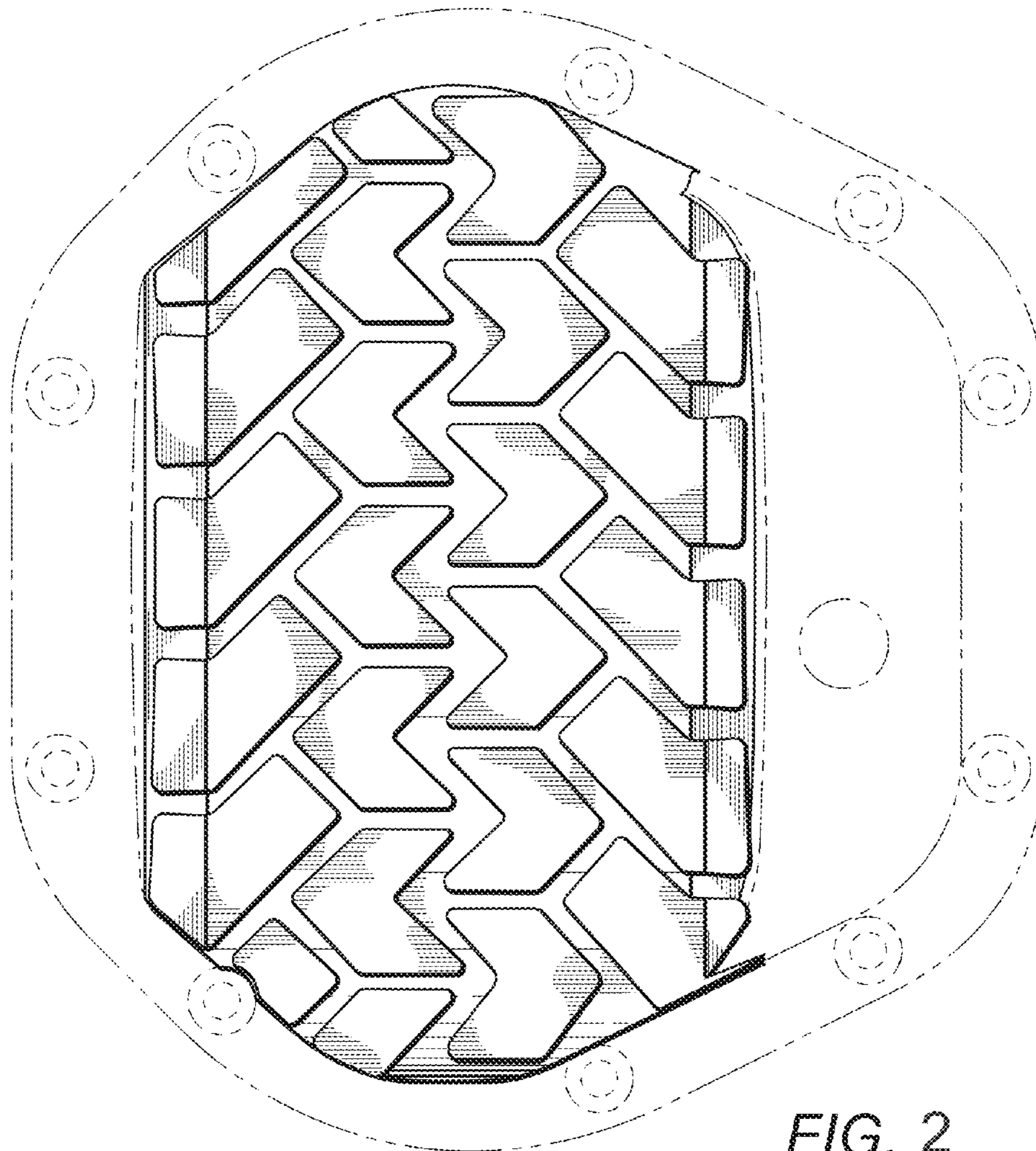


FIG. 2

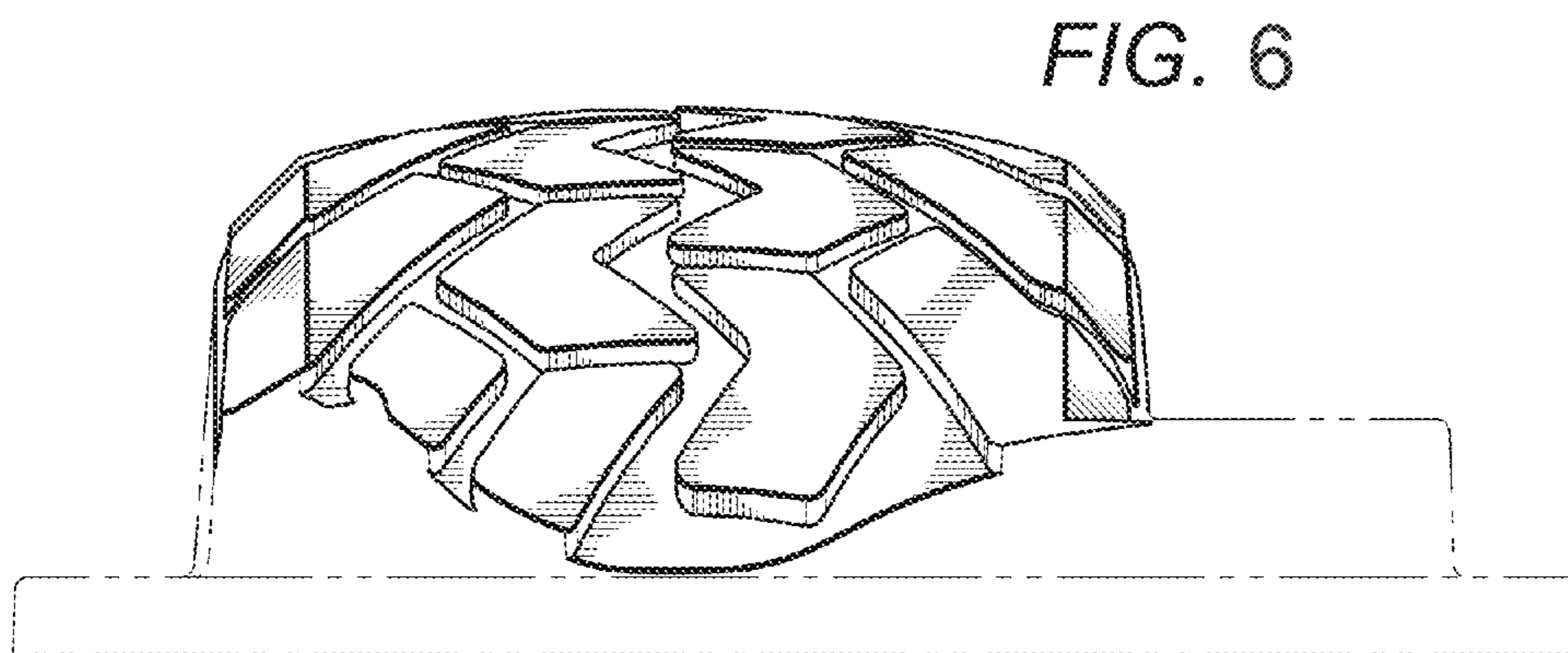


FIG. 6

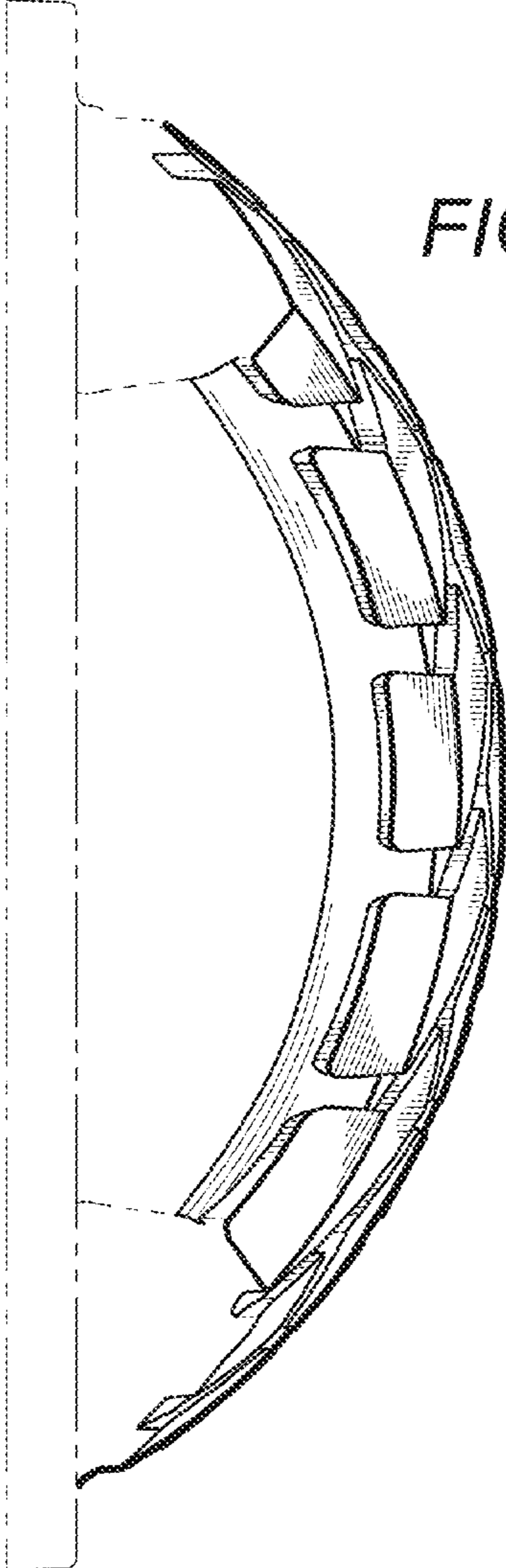


FIG. 3

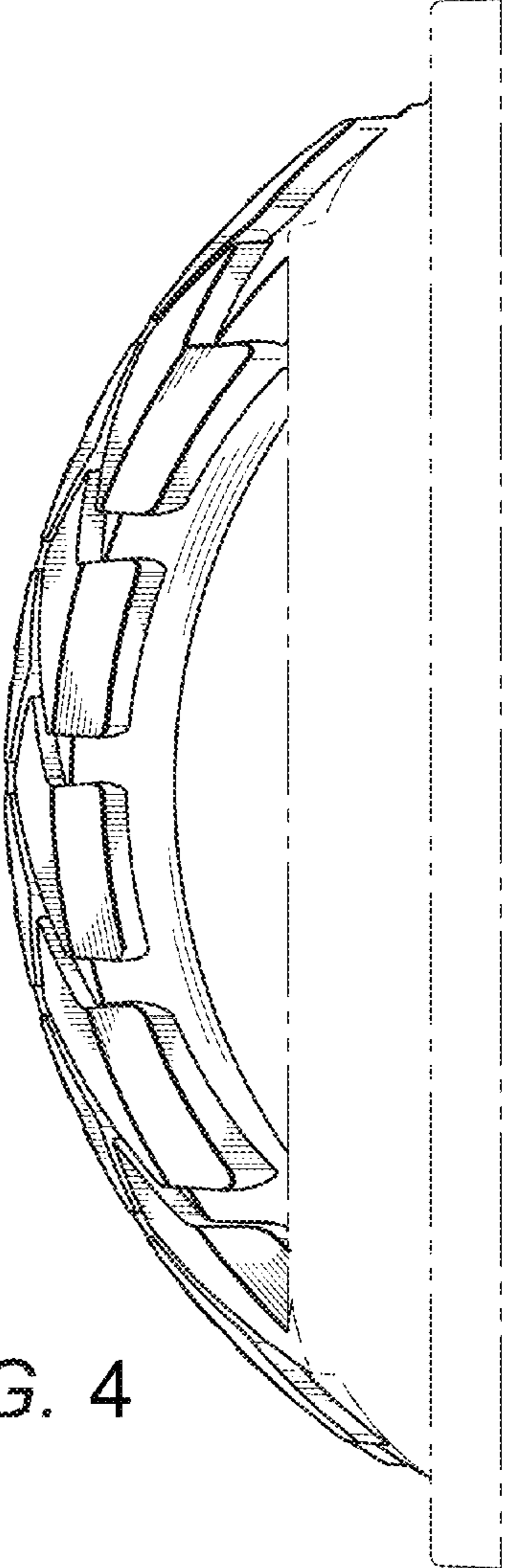


FIG. 4

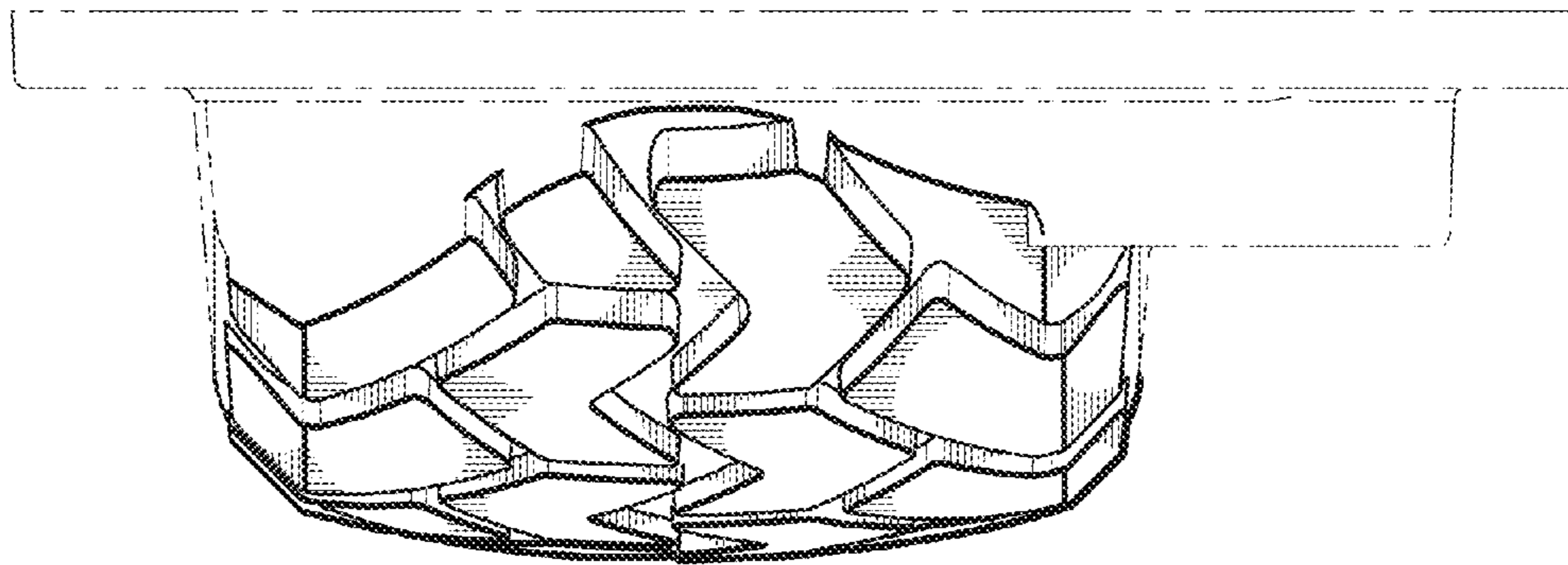


FIG. 5

FIG. 7

