



US00D717212S

(12) **United States Design Patent**
Thurner et al.

(10) **Patent No.:** **US D717,212 S**
(45) **Date of Patent:** **** Nov. 11, 2014**

(54) **VEHICLE, TOY, AND/OR REPLICAS THEREOF**

(71) Applicant: **Bayerische Motoren Werke Aktiengesellschaft, Munich (DE)**

(72) Inventors: **Andreas Thurner, Scheyern (DE); Pavle Trpinac, Munich (DE)**

(73) Assignee: **Bayerische Motoren Werke Aktiengesellschaft, Munich (DE)**

(**) Term: **14 Years**

(21) Appl. No.: **29/461,177**

(22) Filed: **Jul. 19, 2013**

(30) **Foreign Application Priority Data**

Jan. 22, 2013 (DE) 40 2013 100 078

(51) **LOC (10) Cl.** **12-08**

(52) **U.S. Cl.**
USPC **D12/92**

(58) **Field of Classification Search**
USPC D12/86, 90-92, 88; D21/424, 433, 434;
296/181.1, 181.5
See application file for complete search history.

(56) **References Cited**

U.S. PATENT DOCUMENTS

D406,798 S * 3/1999 Sacco et al. D12/92
D410,216 S * 5/1999 Axe et al. D12/92

D446,752 S * 8/2001 Akashi et al. D12/91
D453,713 S * 2/2002 McMahan et al. D12/91
D460,930 S * 7/2002 Fujita D12/92
D558,642 S * 1/2008 van Braeckel D12/92
D623,989 S * 9/2010 Thurner D12/92
D658,545 S * 5/2012 Van Braeckel D12/91
D669,819 S * 10/2012 Hall et al. D12/92
D699,394 S * 2/2014 Woon D28/46

FOREIGN PATENT DOCUMENTS

EM 002086223-0003 8/2012

* cited by examiner

Primary Examiner — Melody N Brown

(74) *Attorney, Agent, or Firm* — Crowell & Moring LLP

(57) **CLAIM**

The ornamental design for a vehicle, toy, and/or replicas thereof, as shown and described.

DESCRIPTION

FIG. 1 is a left, front perspective view of a vehicle, toy, and/or replicas thereof according to the design;
FIG. 2 is a left side view thereof;
FIG. 3 is a right side view thereof;
FIG. 4 is a left, rear perspective view thereof;
FIG. 5 is a front view thereof;
FIG. 6 is a rear view thereof; and,
FIG. 7 is a top view thereof.

1 Claim, 7 Drawing Sheets



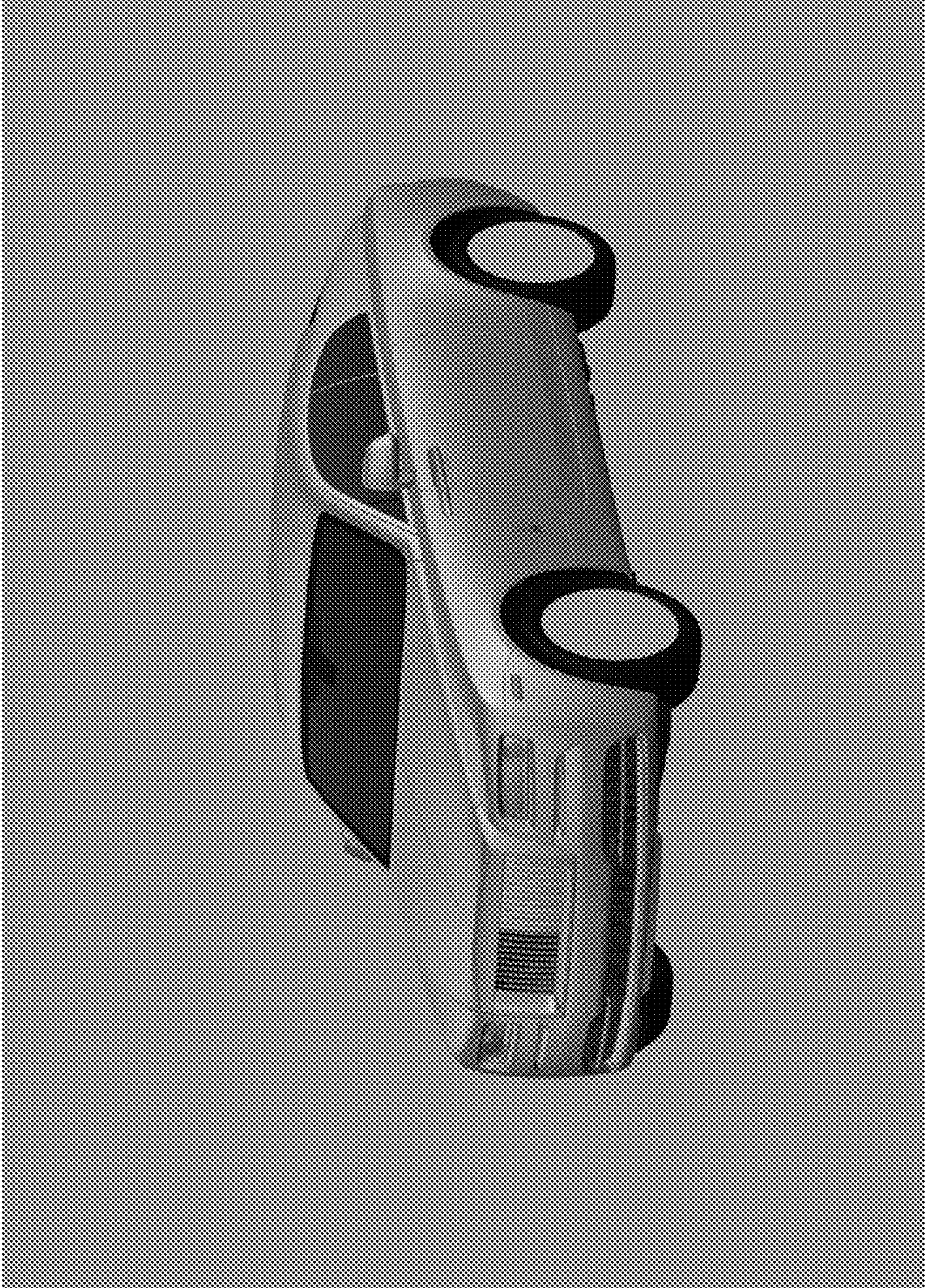


Fig. 1



Fig. 2



Fig. 3

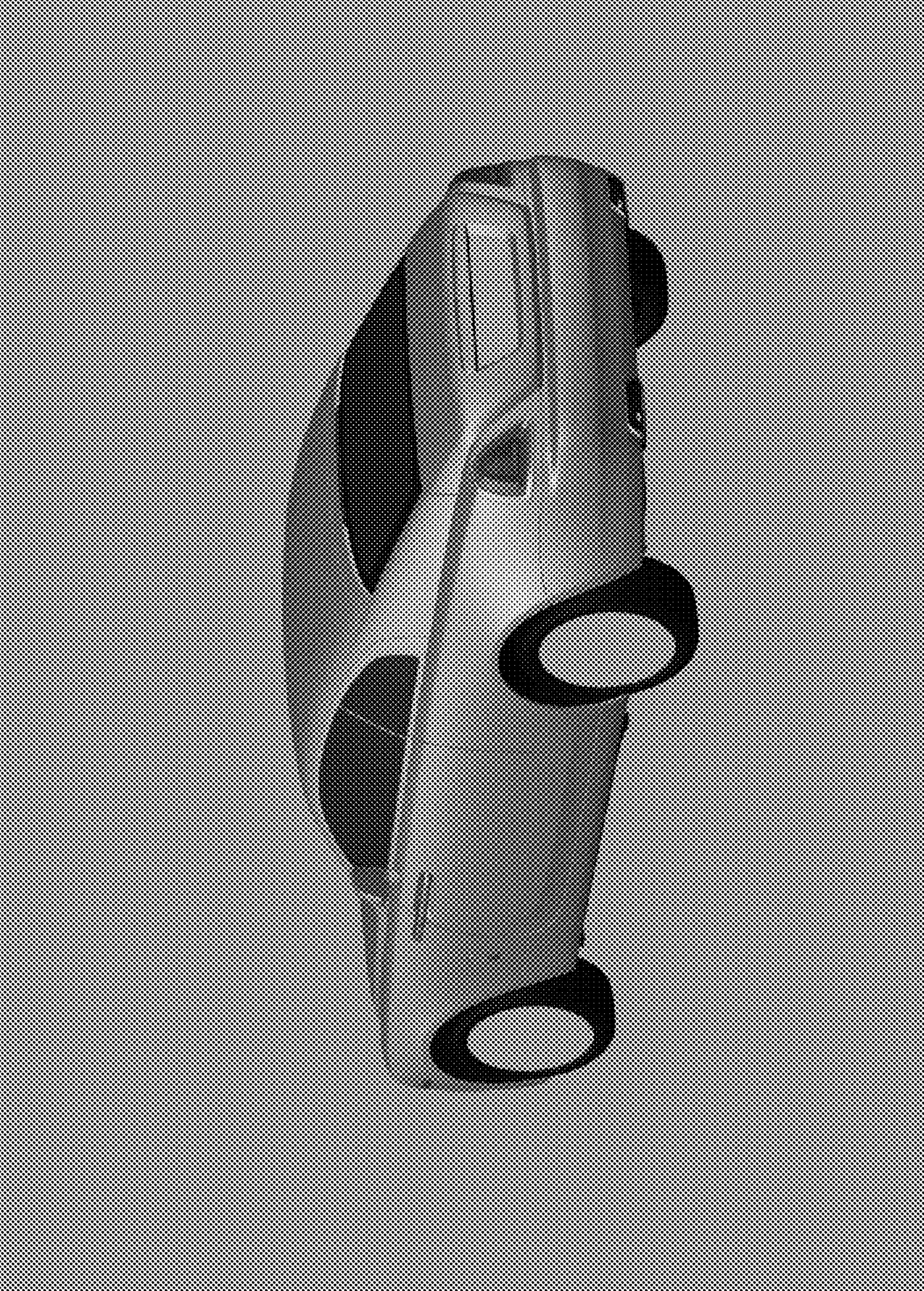


Fig. 4



Fig. 5

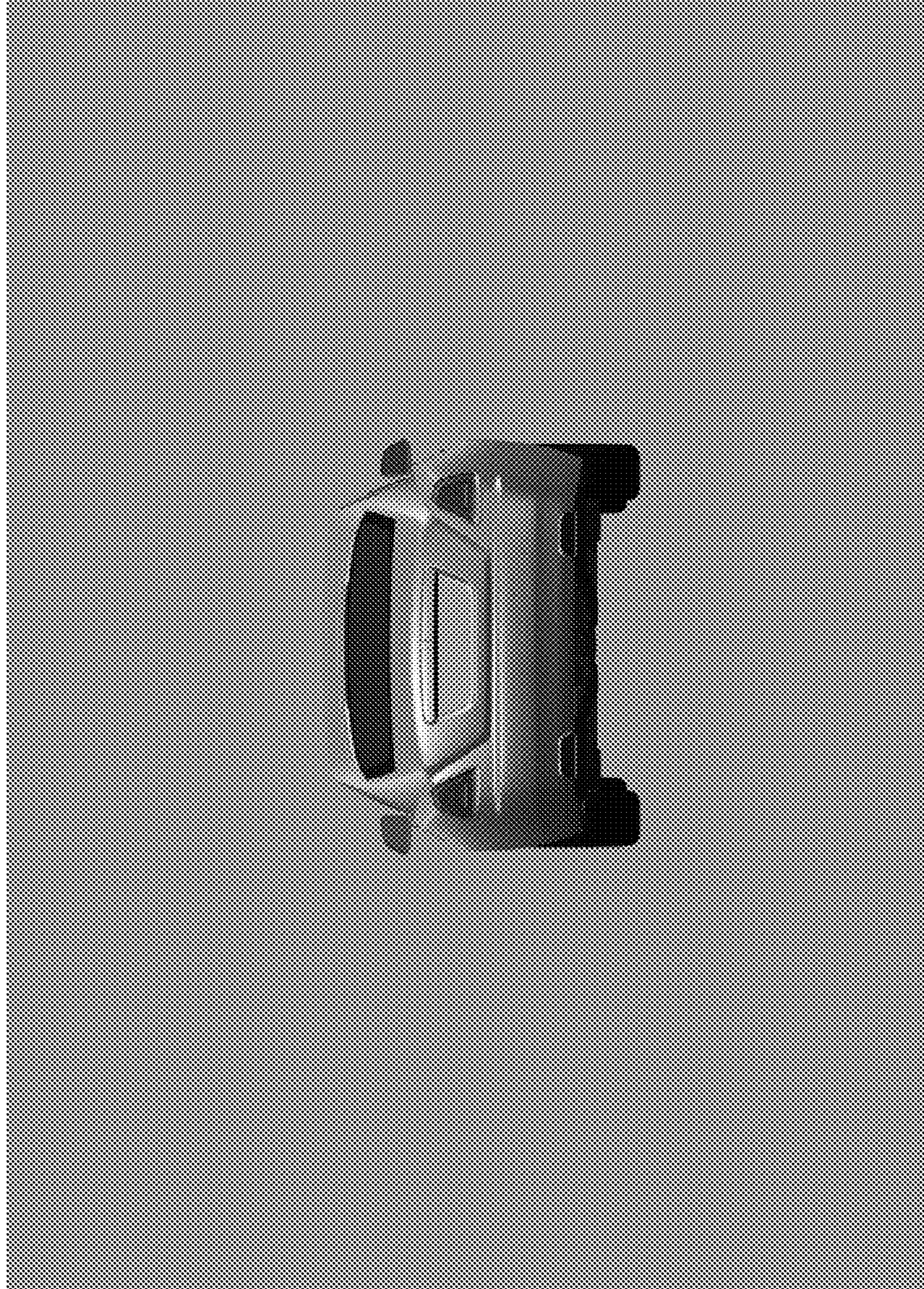


Fig. 6

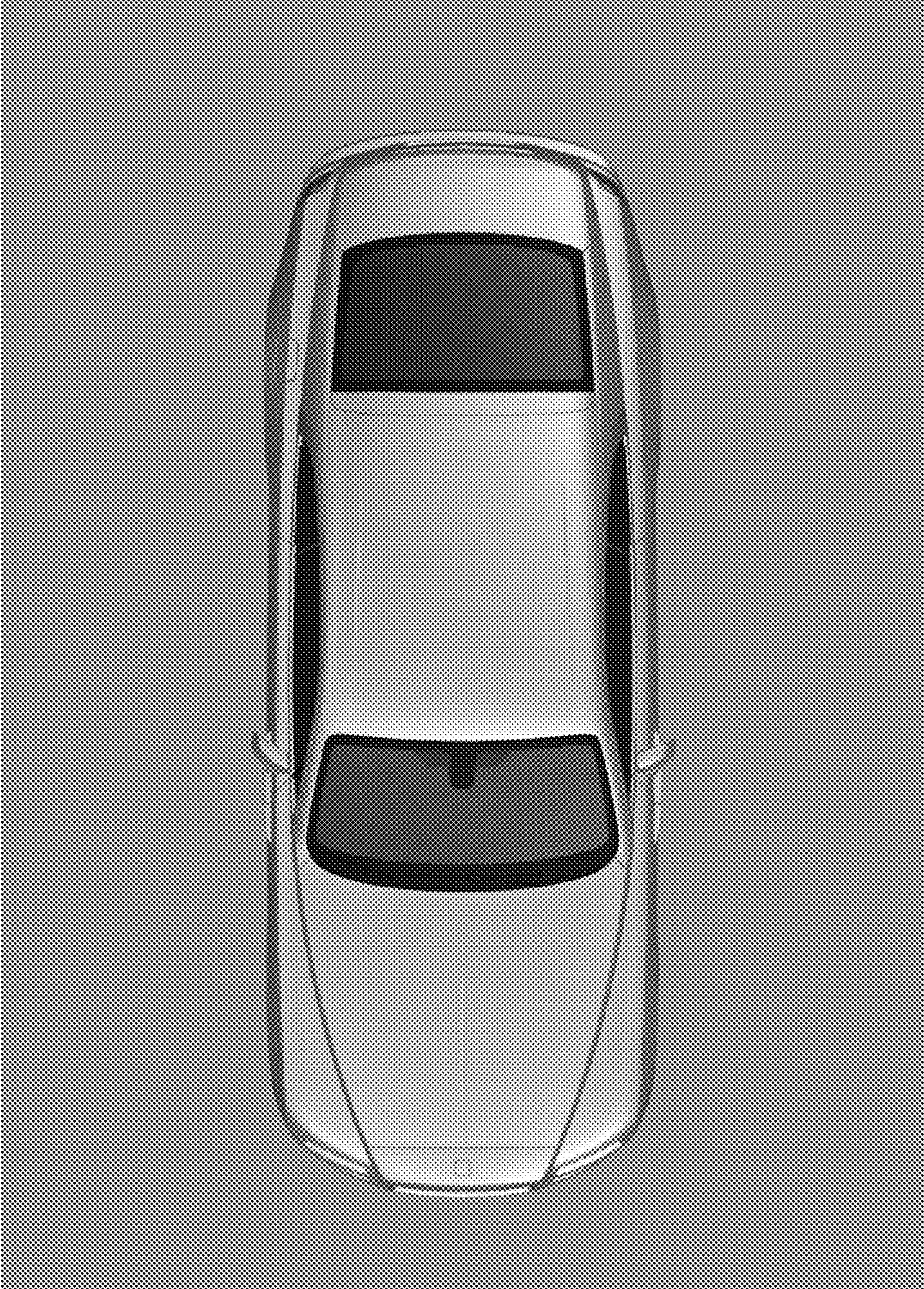


Fig. 7