



US00D717208S

(12) **United States Design Patent**  
**Stone et al.**

(10) **Patent No.:** **US D717,208 S**

(45) **Date of Patent:** **\*\* Nov. 11, 2014**

(54) **MOBILE ROBOTIC PLATFORM WITH SURFACE PATTERN**

(75) Inventors: **Jason Stone**, South San Francisco, CA (US); **Albert Shane**, Berkeley, CA (US); **Peter Privitera**, San Francisco, CA (US)

(73) Assignee: **Adept Technology, Inc.**, Pleasanton, CA (US)

(\*\*) Term: **14 Years**

(21) Appl. No.: **29/426,696**

(22) Filed: **Jul. 9, 2012**

(51) **LOC (10) Cl.** ..... **12-14**

(52) **U.S. Cl.**  
USPC ..... **D12/1; D15/199**

(58) **Field of Classification Search**  
CPC ..... B25J 9/1697; B25J 9/1633; B25J 18/04; B25J 5/007; B25J 9/0003; B25J 9/042; B25J 9/1607; B25J 11/0095; B25J 17/02; B25J 3/00; B25J 5/00; B25J 9/0096; B25J 9/126; B25J 9/1612; B25J 9/1676  
USPC ..... D12/1; D15/199; D13/199; 901/1, 50  
See application file for complete search history.

(56) **References Cited**

**U.S. PATENT DOCUMENTS**

6,142,252	A *	11/2000	Kinto et al.	180/204
6,925,357	B2	8/2005	Wang et al.	
7,110,859	B2 *	9/2006	Shibata et al.	700/245
D556,691	S	12/2007	Shiu	
D586,959	S	2/2009	Geringer et al.	

(Continued)

**FOREIGN PATENT DOCUMENTS**

EP 1590272 B1 8/2010

**OTHER PUBLICATIONS**

Mobile Robots, Inc., "What's New at IROS 2009!" Brochure, 2009.

(Continued)

*Primary Examiner* — T. Chase Nelson

*Assistant Examiner* — Ania Aman

(74) *Attorney, Agent, or Firm* — Law Offices of Grady L. White, LLC

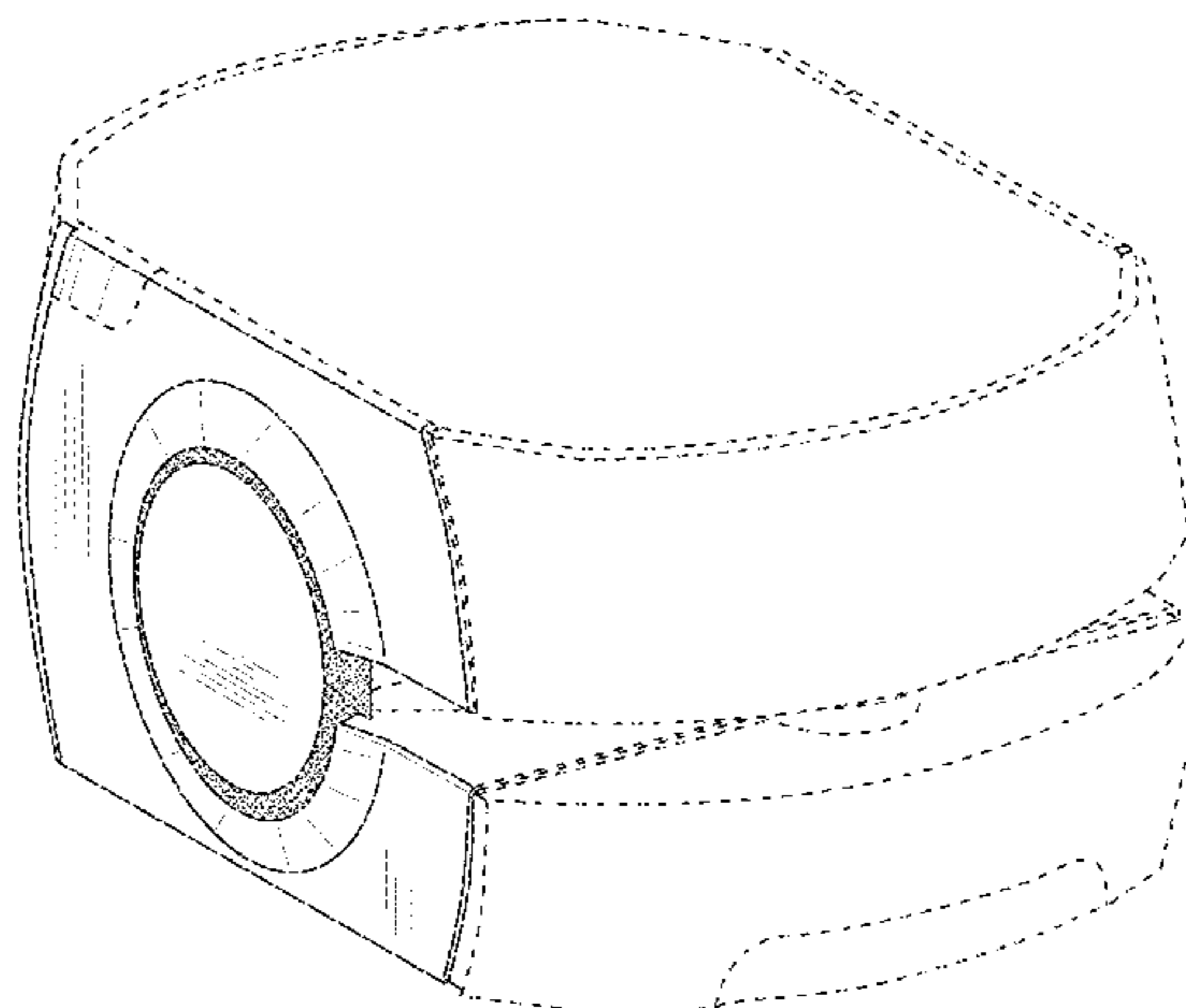
(57) **CLAIM**

The ornamental design for a mobile robotic platform with surface pattern, as shown and described.

**DESCRIPTION**

FIG. 1 is a front perspective view of a mobile robotic platform with surface pattern showing the claimed design in accordance with the present invention;  
FIG. 2 is a left side elevational view thereof;  
FIG. 3 is a right side elevational view thereof;  
FIG. 4 is a rear perspective view thereof;  
FIG. 5 is a rear elevational view thereof;  
FIG. 6 is a front elevational view thereof;  
FIG. 7 is a top plan view thereof; and,  
FIG. 8 is an exemplary diagram showing the nature and environment of use for the surface pattern applied to a mobile robotic platform in accordance with the present invention.  
As indicated in the title, the design is directed to an ornamental mobile robotic platform with surface pattern, also known as a mobile robot, mobile autonomous robot, robotic carrier or robotic transporter. The stippling in FIGS. 1, 2, 3, 4 and 8 represent a visible light effect or illumination, or glow, which is a part of the claimed design. Broken lines, within the claimed surface pattern design, that depict recesses, gaps and/or protrusions on the surface of the mobile robotic platform in some embodiments, are for illustrative purposes only and form no part of the claimed design. Broken lines representing the mobile robotic platform, a robotic manipulator affixed to the top of the mobile robotic platform and wheels underneath the mobile robotic platform are also for illustrative purposes only and form no part of the claimed design.

**1 Claim, 8 Drawing Sheets**



(56)

**References Cited**

U.S. PATENT DOCUMENTS

7,650,013 B2 1/2010 Dietsch et al.  
7,693,654 B1 4/2010 Dietsch et al.  
7,826,919 B2 11/2010 D'Andrea et al.  
7,873,437 B2\* 1/2011 Aldred et al. .... 700/253  
7,894,939 B2 2/2011 Zini et al.  
7,912,633 B1 3/2011 Dietsch et al.  
8,401,275 B2 3/2013 Wang et al.  
8,444,631 B2\* 5/2013 Yeung et al. .... 606/1  
2010/0174410 A1\* 7/2010 Greer et al. .... 700/264  
2010/0198402 A1\* 8/2010 Greer et al. .... 700/247

2013/0087393 A1\* 4/2013 Vanderstegen-Drake  
et al. .... 180/9.1  
2014/0031984 A1\* 1/2014 Cross et al. .... 700/257

OTHER PUBLICATIONS

PRWEB, "Swisslog's Autonomous Mobile Robots Available for Lease" Press Release, May 2010.  
Swisslog Healthcare Solutions, At-A-Glance Robocourier Brochure, 2011.  
Adept Technology, Inc., PatrolBot Datasheet, 2011.  
Adept Technology, Inc., MT400 Datasheet, 2012.

\* cited by examiner

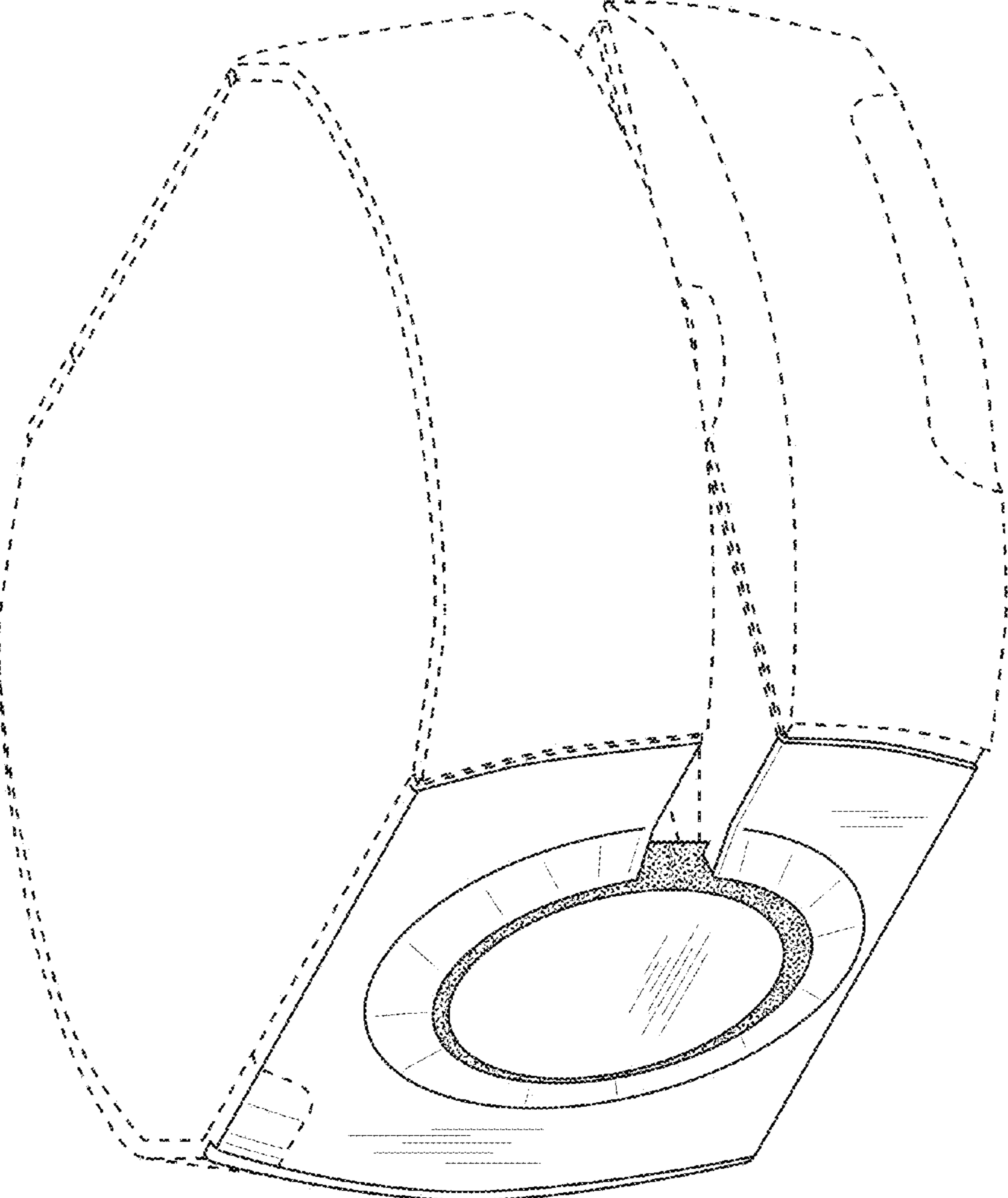


FIG. 1

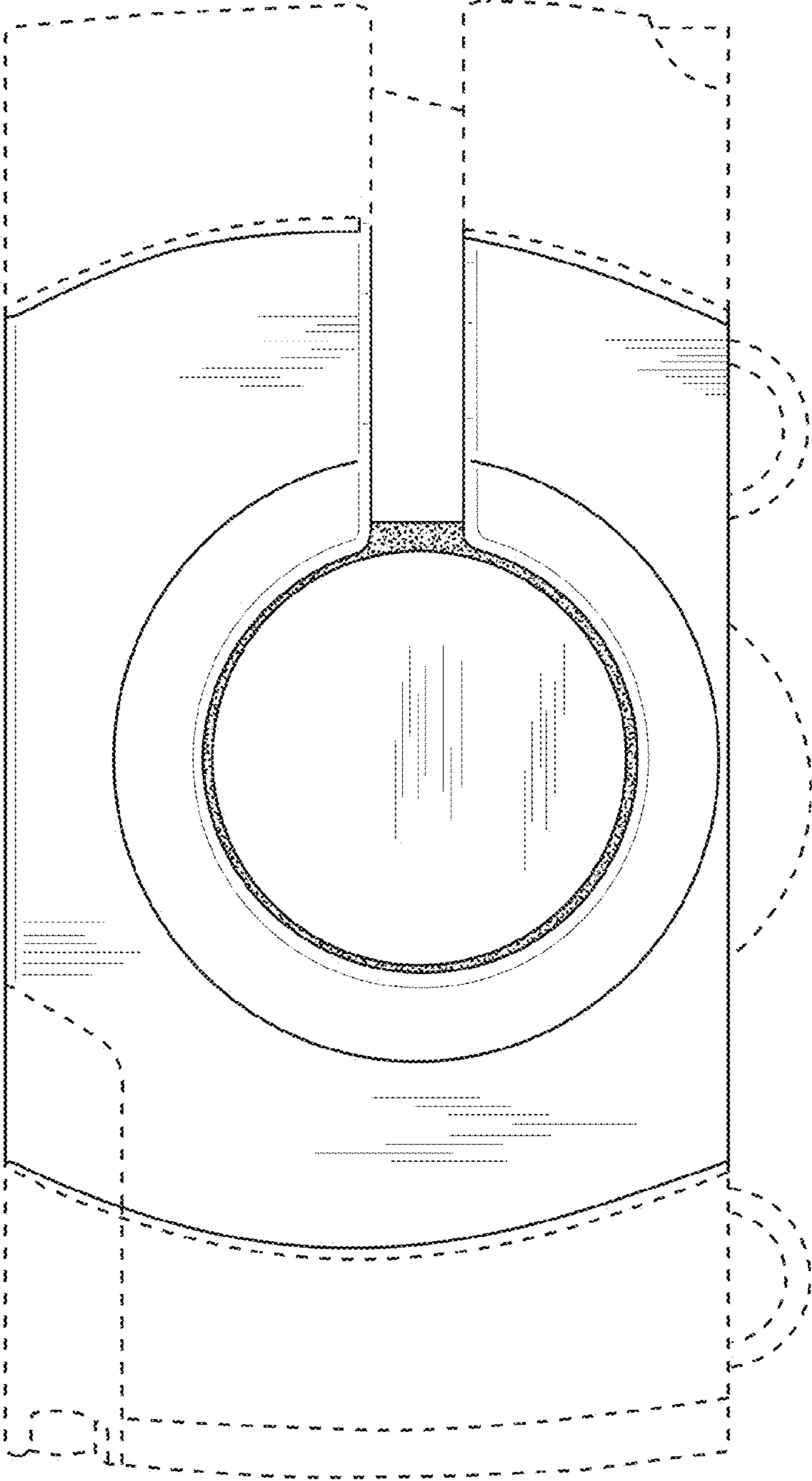
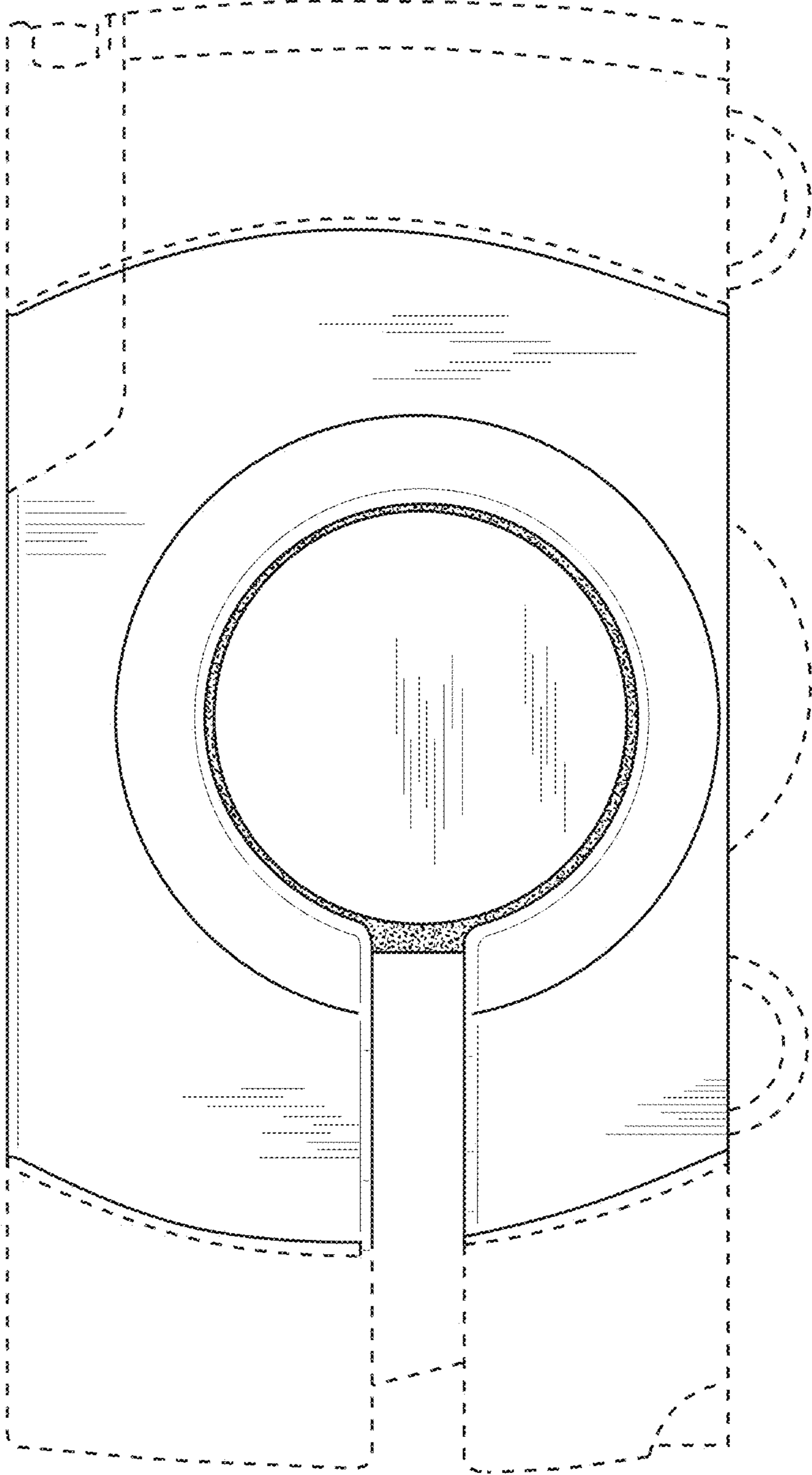
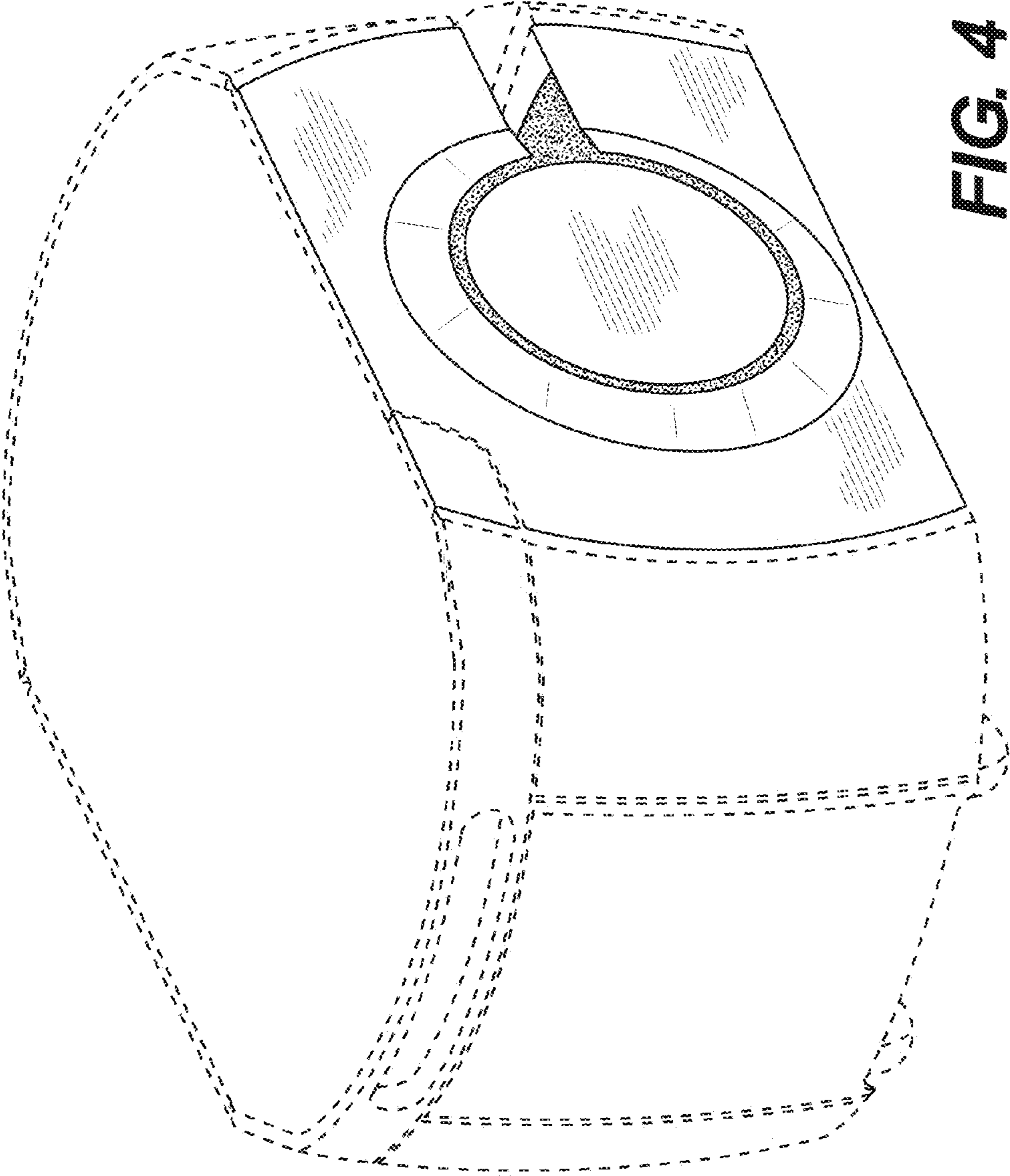


FIG. 2



**FIG. 3**



**FIG. 4**

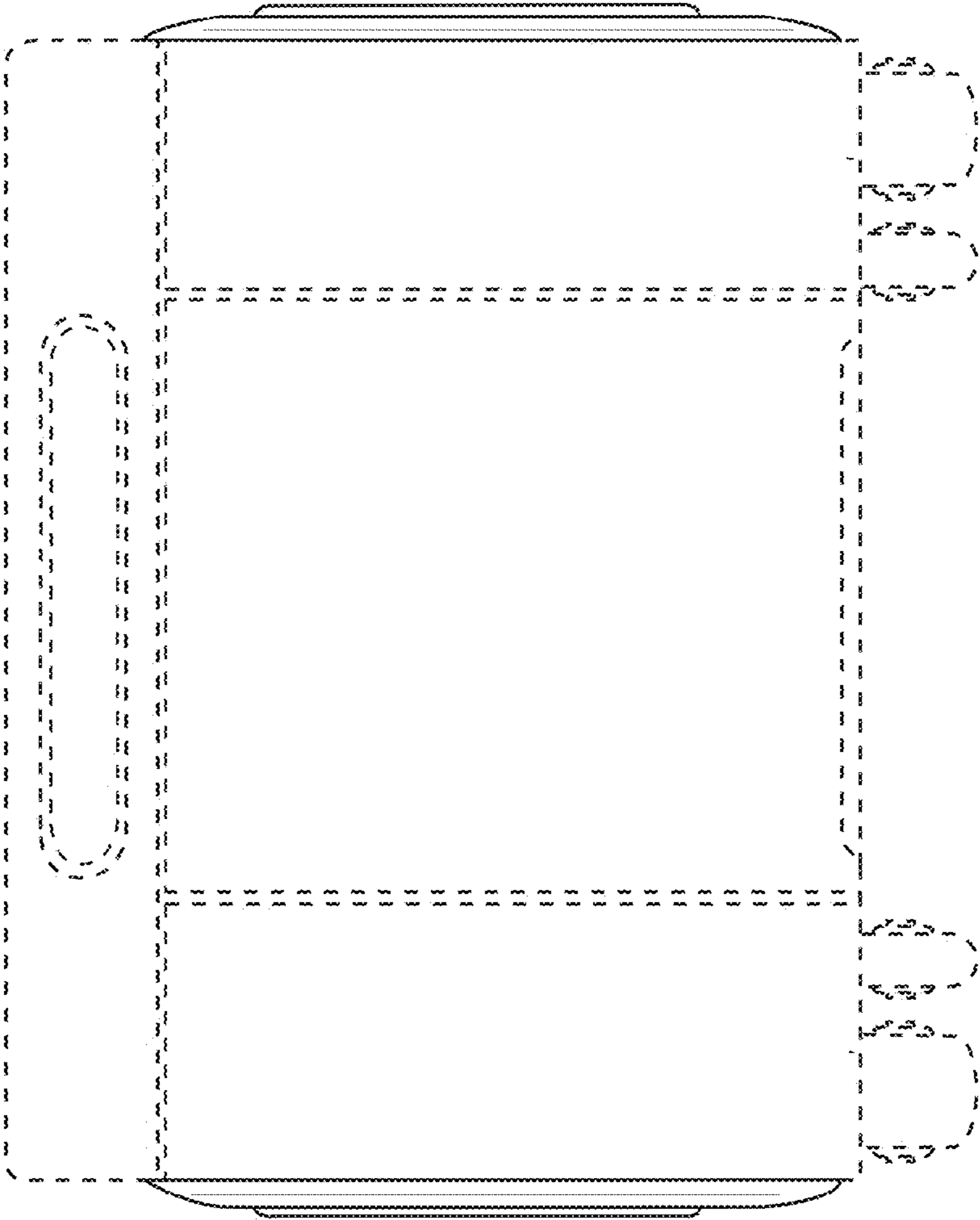
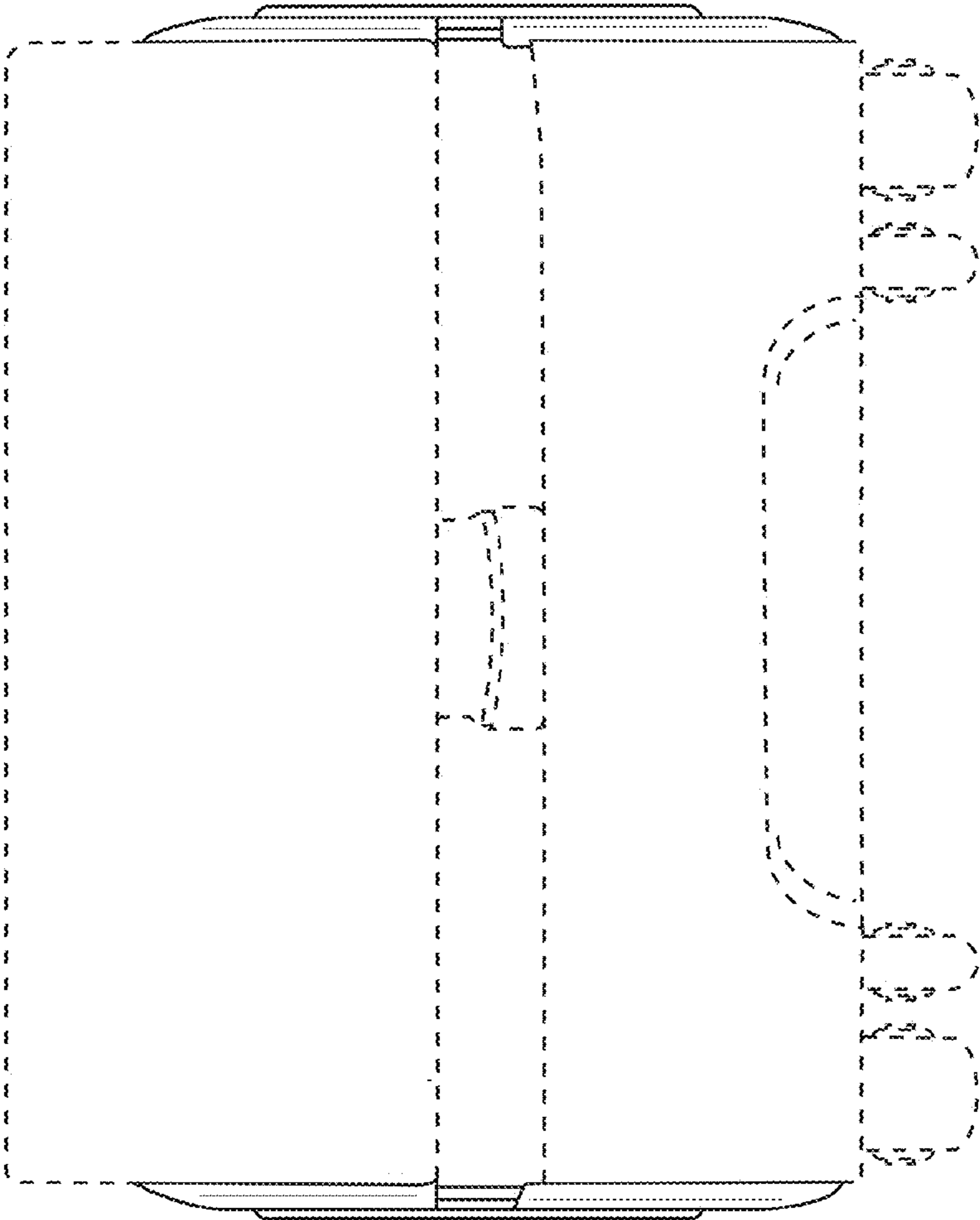


FIG. 5



**FIG. 6**



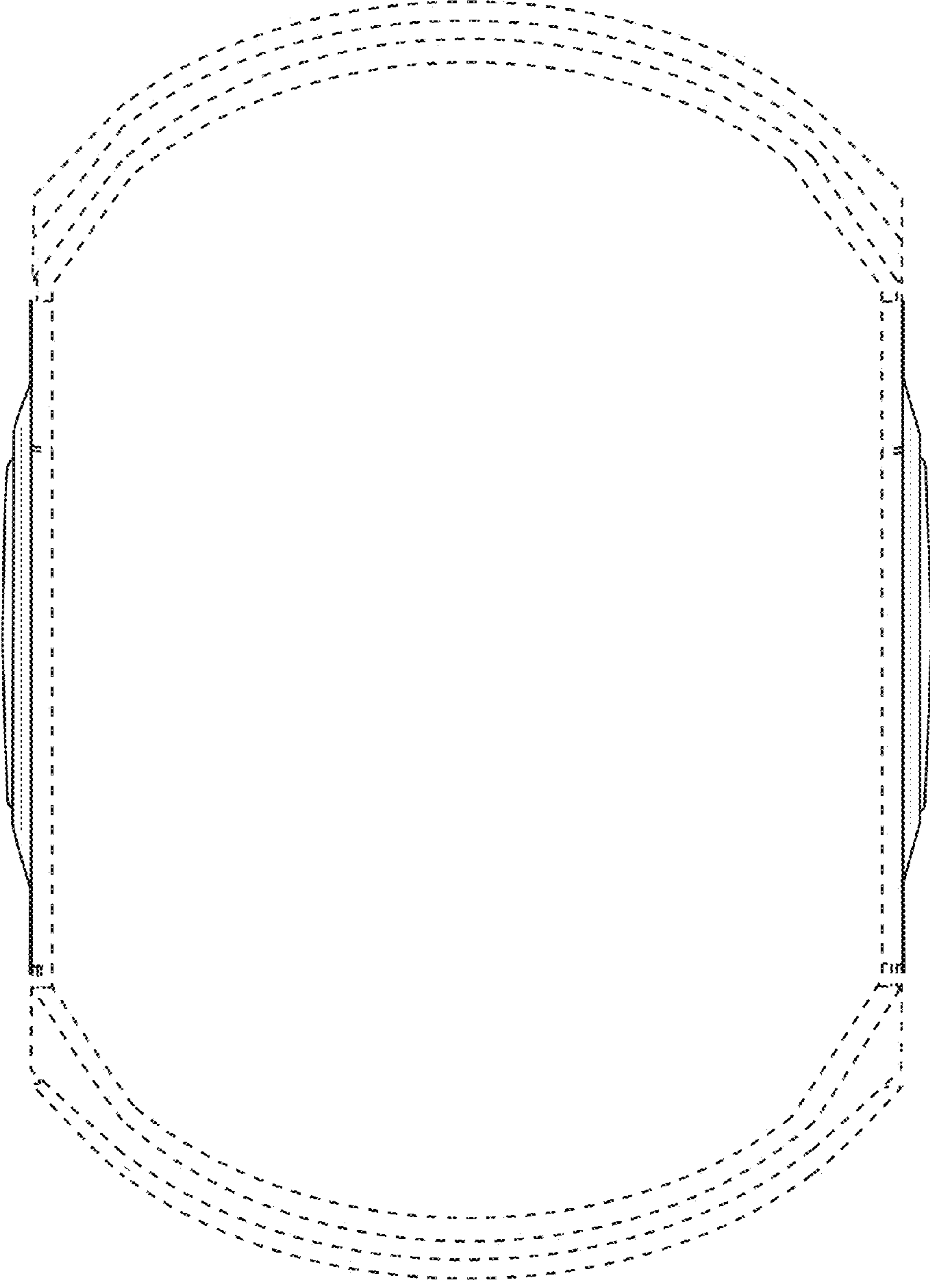
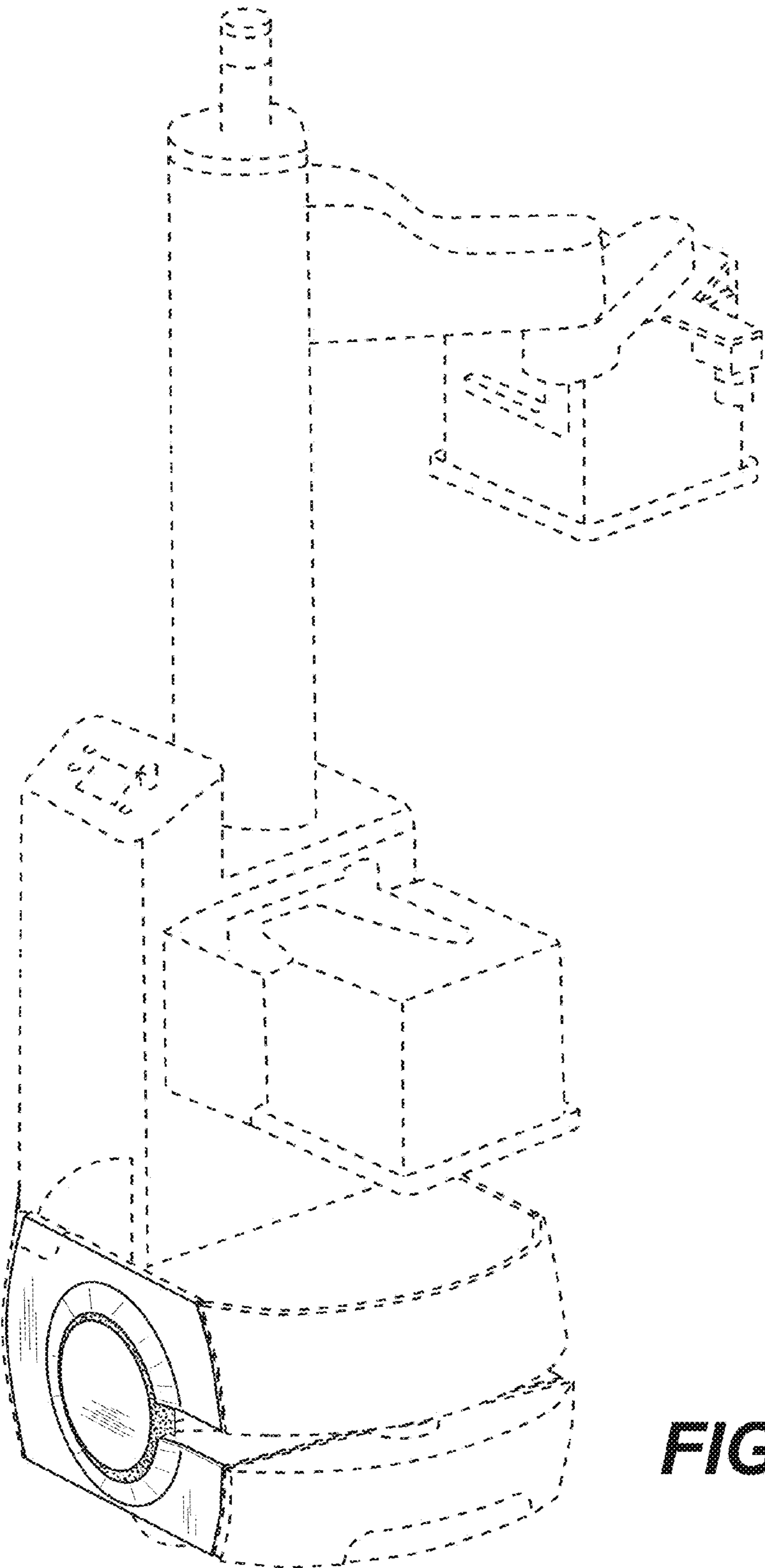


FIG. 7



**FIG. 8**