



US00D717207S

(12) **United States Design Patent**
Fondas et al.

(10) **Patent No.:** **US D717,207 S**

(45) **Date of Patent:** **** Nov. 11, 2014**

(54) **DECORATIVE ACCESSORY ARTICLE**

(75) Inventors: **Michael N. Fondas**, Louisville, OH
(US); **Drew D. VanNostran**, Canton, OH
(US)

(73) Assignee: **Lovan Enterprises, LLC**, Canton, OH
(US)

(**) **Term:** **14 Years**

(21) **Appl. No.:** **29/415,665**

(22) **Filed:** **Mar. 13, 2012**

(51) **LOC (10) Cl.** **02-07**

(52) **U.S. Cl.**
USPC **D11/222**

(58) **Field of Classification Search**

USPC D11/220, 222-241, 200; D8/21, 25, 83,
D8/107, 305, 310, 312, 397; D23/250,
D23/262; D24/138; D12/178; D9/453, 446,
D9/667; D15/138; 24/113 R, 109, 628;
285/386; 411/544; D34/35; 401/16;
417/198; 494/38; 75/553; 40/1.5;
81/63.1

See application file for complete search history.

(56) **References Cited**

U.S. PATENT DOCUMENTS

D33,861	S	*	1/1901	Glauber	D23/250
D44,178	S	*	6/1913	McMurtrie	D23/262
D79,334	S	*	9/1929	Juede	D8/83
D101,826	S	*	11/1936	Sinko	D8/312
3,212,843	A	*	10/1965	Boyland	494/38
3,561,287	A	*	2/1971	Lawrence	74/553
D246,691	S	*	12/1977	Takahashi	D8/310
D271,937	S	*	12/1983	Combs	D8/107
D278,029	S	*	3/1985	Suponitsky	D8/397
4,604,819	A	*	8/1986	Grey	40/1.5
D292,771	S	*	11/1987	Kim	D8/107
4,791,837	A	*	12/1988	Main	81/63.1
4,793,155	A		12/1988	Law		

4,858,281	A		8/1989	Watanabe et al.		
4,969,241	A		11/1990	Griffin		
D324,630	S	*	3/1992	Moeller	D8/21
5,112,178	A	*	5/1992	Overhues et al.	411/544
D329,178	S	*	9/1992	Ackerman	D8/21
D337,967	S	*	8/1993	Wright	D11/226
D347,920	S	*	6/1994	Sell	D34/35
5,475,895	A	*	12/1995	Gain	401/6
5,526,551	A		6/1996	Herman		
5,542,157	A		8/1996	Herman		
D387,734	S	*	12/1997	Hawkins et al.	D8/312
D389,394	S	*	1/1998	Taylor	D8/312
D390,197	S	*	2/1998	Thomas	D8/312

(Continued)

FOREIGN PATENT DOCUMENTS

DE	19547887	6/1997
GB	2345837	7/2000

OTHER PUBLICATIONS

www.instantbuttonforjeans.com/products.html, "Instant Button For Jeans", KTREnterprise, LLC, document is undated but the document was printed from the pertinent website on Jun. 7, 2011.

Primary Examiner — T. Chase Nelson

Assistant Examiner — Mark Cavanna

(74) *Attorney, Agent, or Firm* — Sand & Sebolt

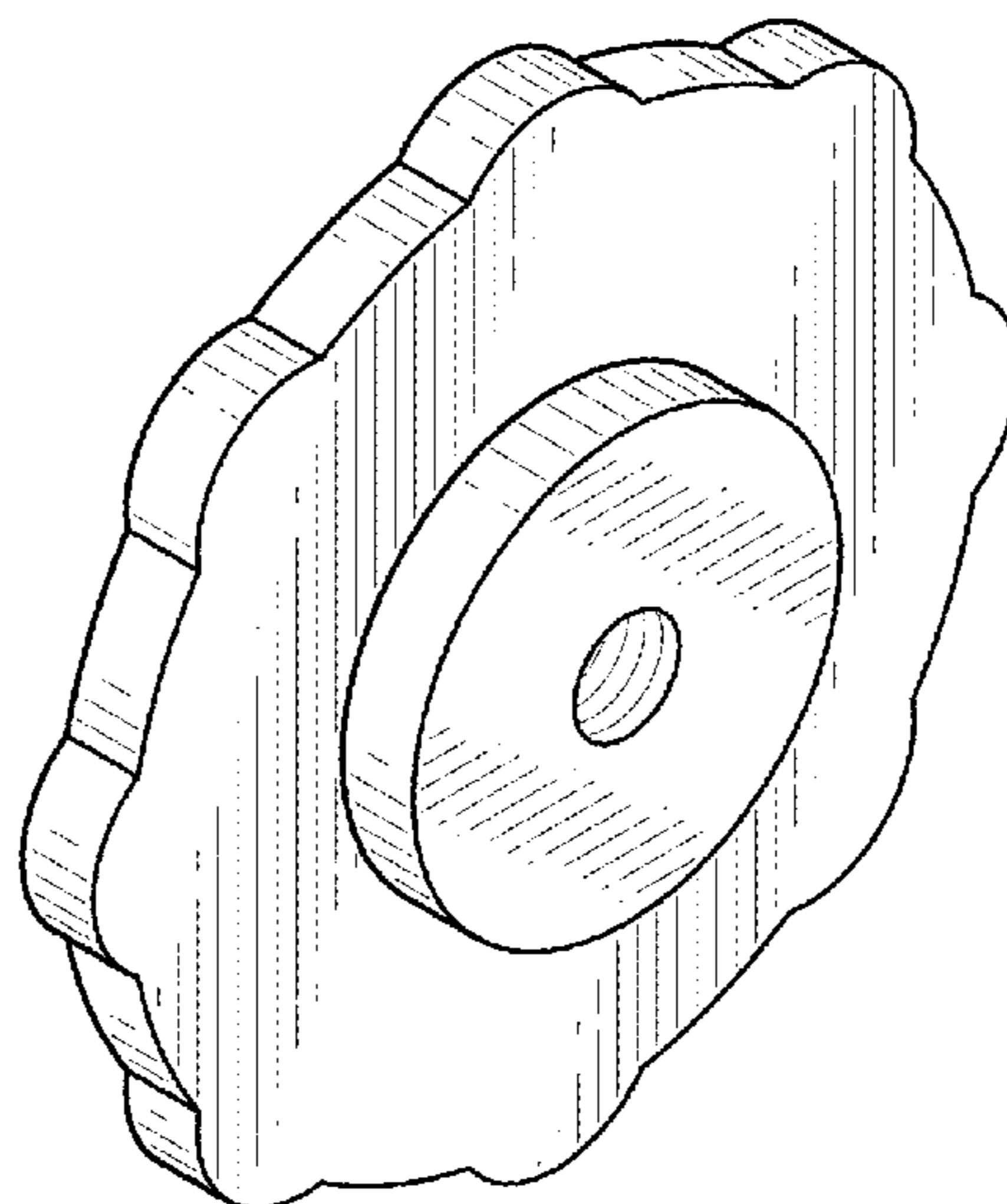
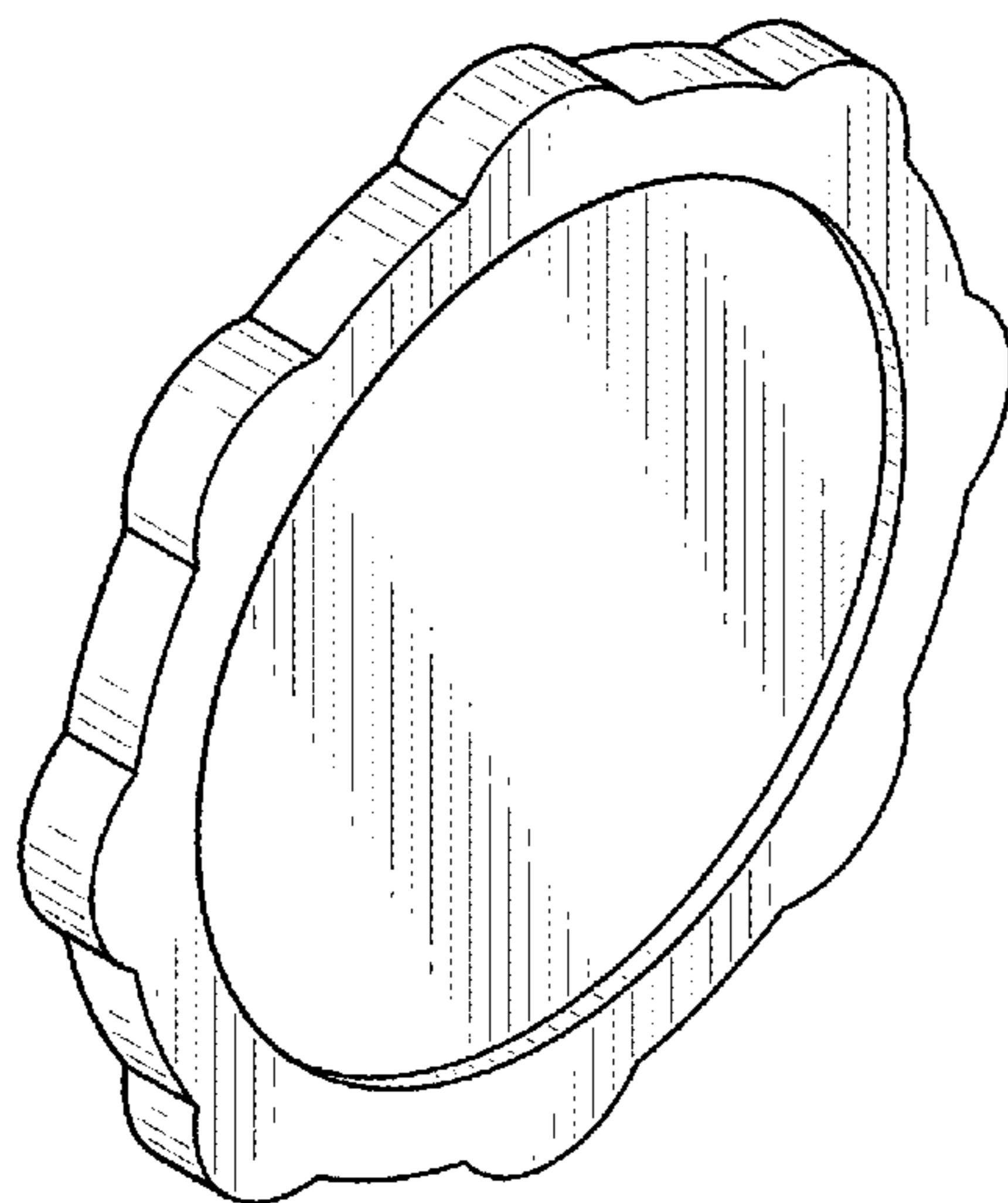
(57) **CLAIM**

The ornamental design for a decorative accessory article, as shown and described.

DESCRIPTION

FIG. 1 is a front side perspective view of a decorative accessory article showing our new design;
FIG. 2 is a rear side perspective view thereof;
FIG. 3 is a front side elevational view thereof;
FIG. 4 is a rear side elevational view thereof; and,
FIG. 5 is a side elevational view thereof, the opposite side view being a mirror image thereof.

1 Claim, 2 Drawing Sheets



(56)

References Cited

U.S. PATENT DOCUMENTS

5,820,353	A *	10/1998	Beylich et al.	417/198	D572,998	S *	7/2008	Crain et al.	D8/305
D415,664	S *	10/1999	Rapoport et al.	D8/21	D593,462	S *	6/2009	Mentis	D12/178
D416,060	S *	11/1999	Angeles	D8/312	D593,463	S *	6/2009	Mentis	D12/178
6,012,203	A	1/2000	Baron Pearson		D593,464	S *	6/2009	Mentis	D12/178
D422,481	S *	4/2000	Bertani	D8/310	D600,094	S *	9/2009	Hwang et al.	D8/312
D472,947	S *	4/2003	Wu	D8/312	D607,375	S *	1/2010	Koenig et al.	D11/200
D475,322	S *	6/2003	Ouellette et al.	D11/222	7,698,836	B2	4/2010	Schmelzer et al.	
6,588,067	B2	7/2003	Efron et al.		D625,346	S *	10/2010	Drenth et al.	D15/138
6,594,871	B2	7/2003	Hoffman		7,856,697	B2 *	12/2010	Quimod	24/113 R
D484,594	S *	12/2003	Hayamizu	D24/138	D632,944	S *	2/2011	Kang	D8/312
D520,856	S *	5/2006	Osiecki et al.	D8/312	D633,808	S *	3/2011	Titherington	D9/667
D524,613	S *	7/2006	Chen	D8/25	D645,349	S *	9/2011	Tilton	D9/453
D530,200	S *	10/2006	Kingsley	D9/446	8,069,538	B2 *	12/2011	Wilcox	24/109
D556,007	S *	11/2007	Hung	D8/107	D669,558	S *	10/2012	Collin et al.	D23/262
D568,715	S *	5/2008	Gustafson et al.	D8/310	D677,161	S *	3/2013	Titherington	D9/453
					D691,047	S *	10/2013	Titherington	D9/453
					2011/0056049	A1	3/2011	Rice	
					2012/0117784	A1 *	5/2012	Collin et al.	285/386

* cited by examiner

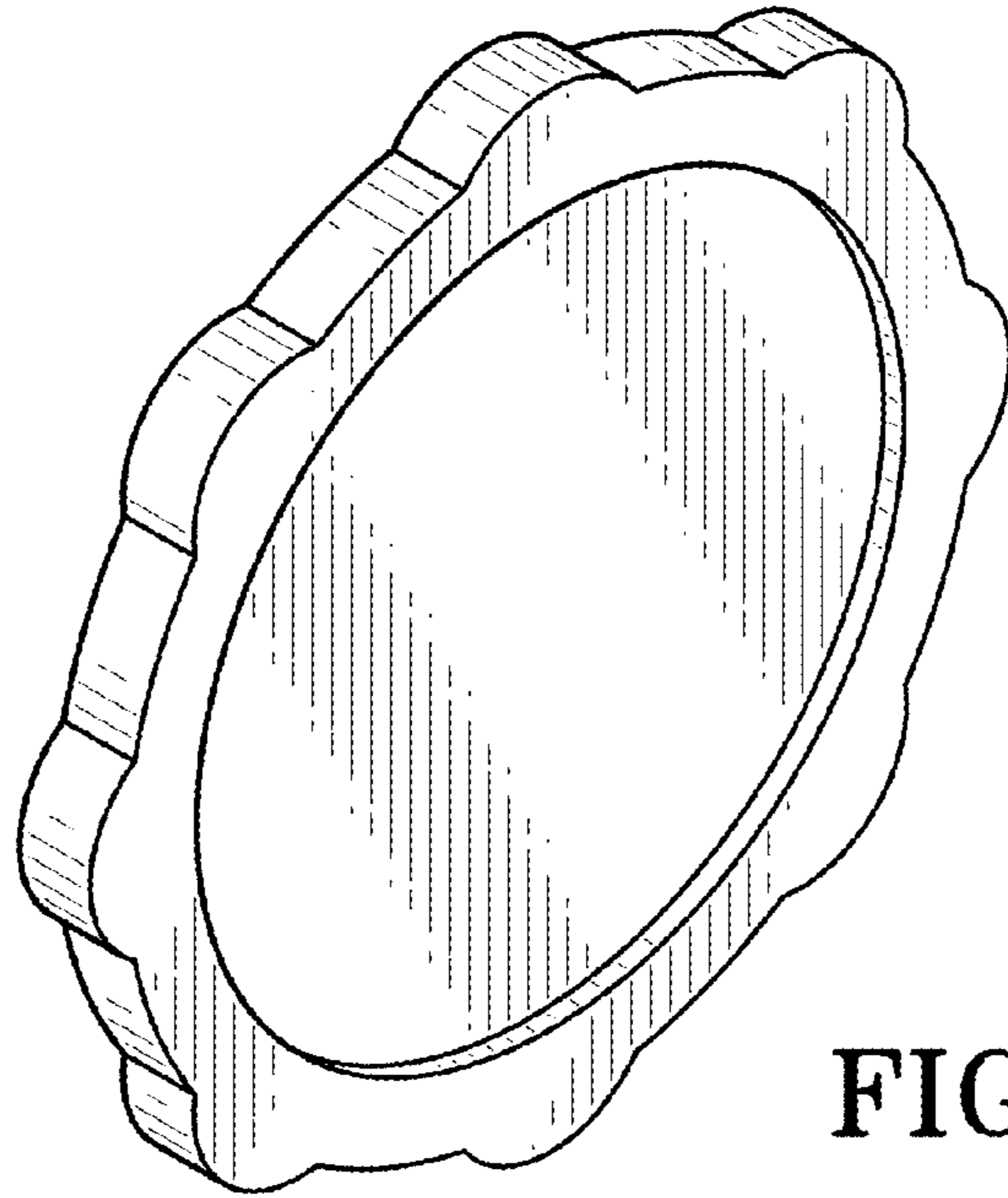


FIG-1

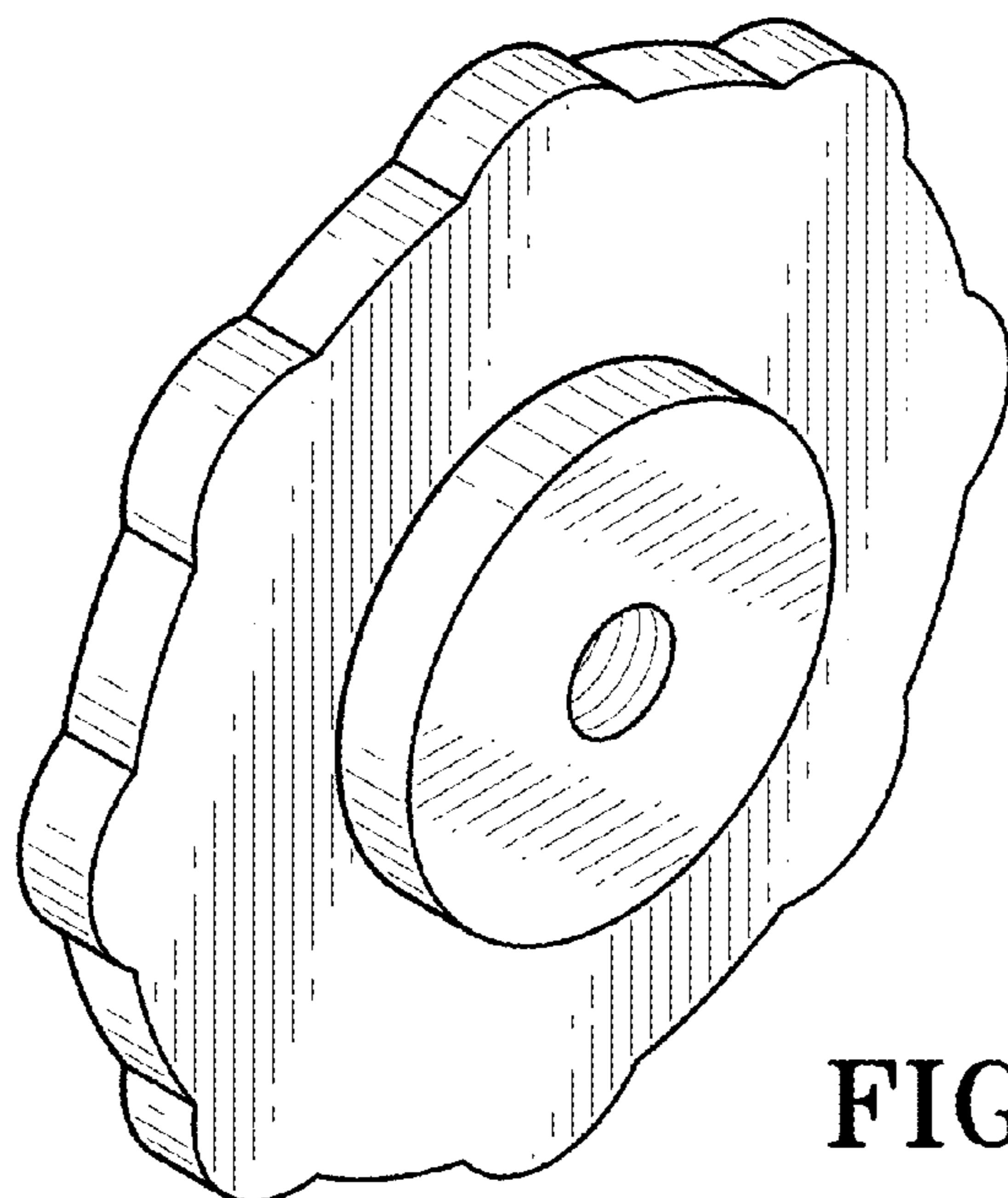


FIG-2

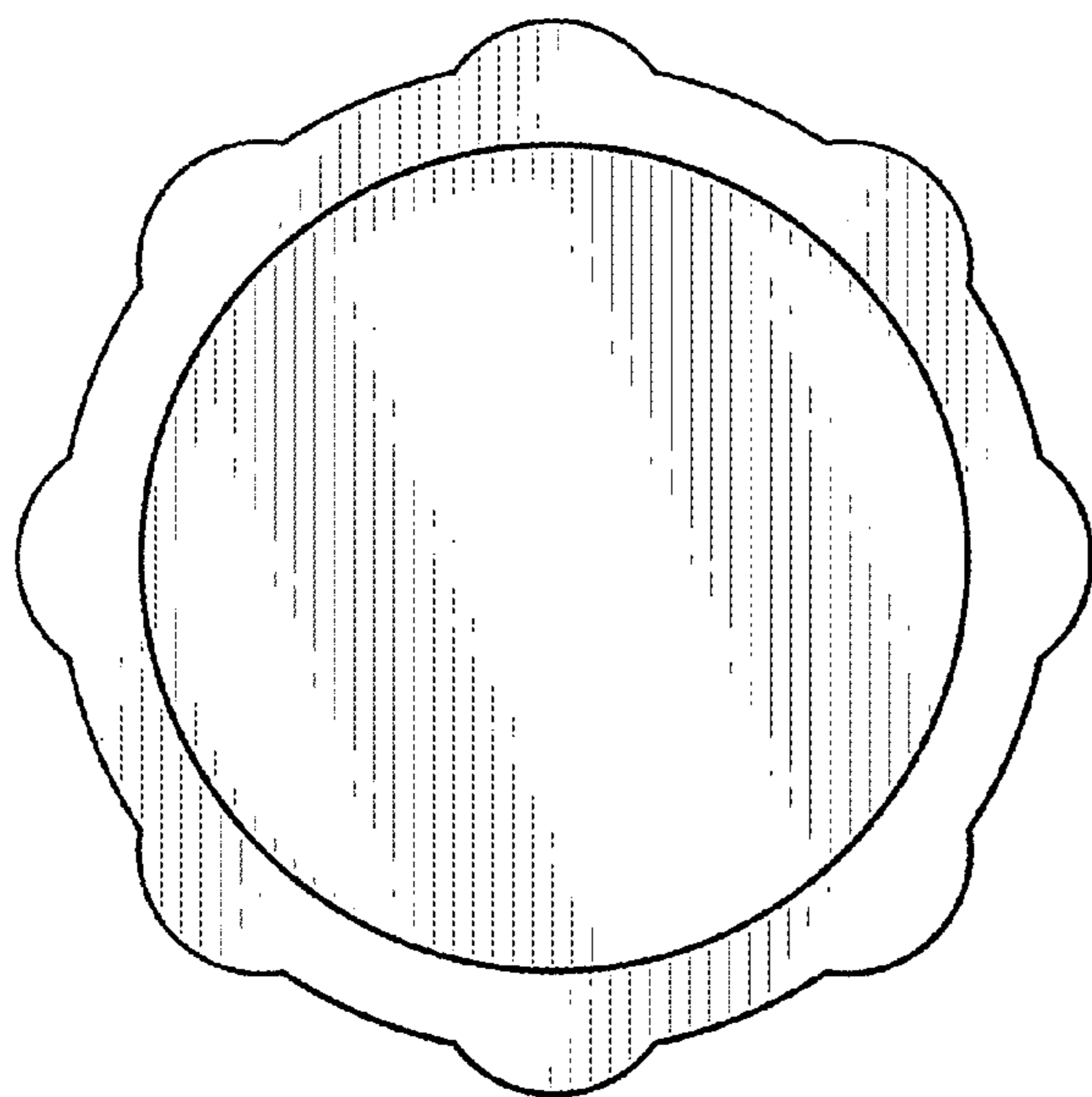


FIG-3

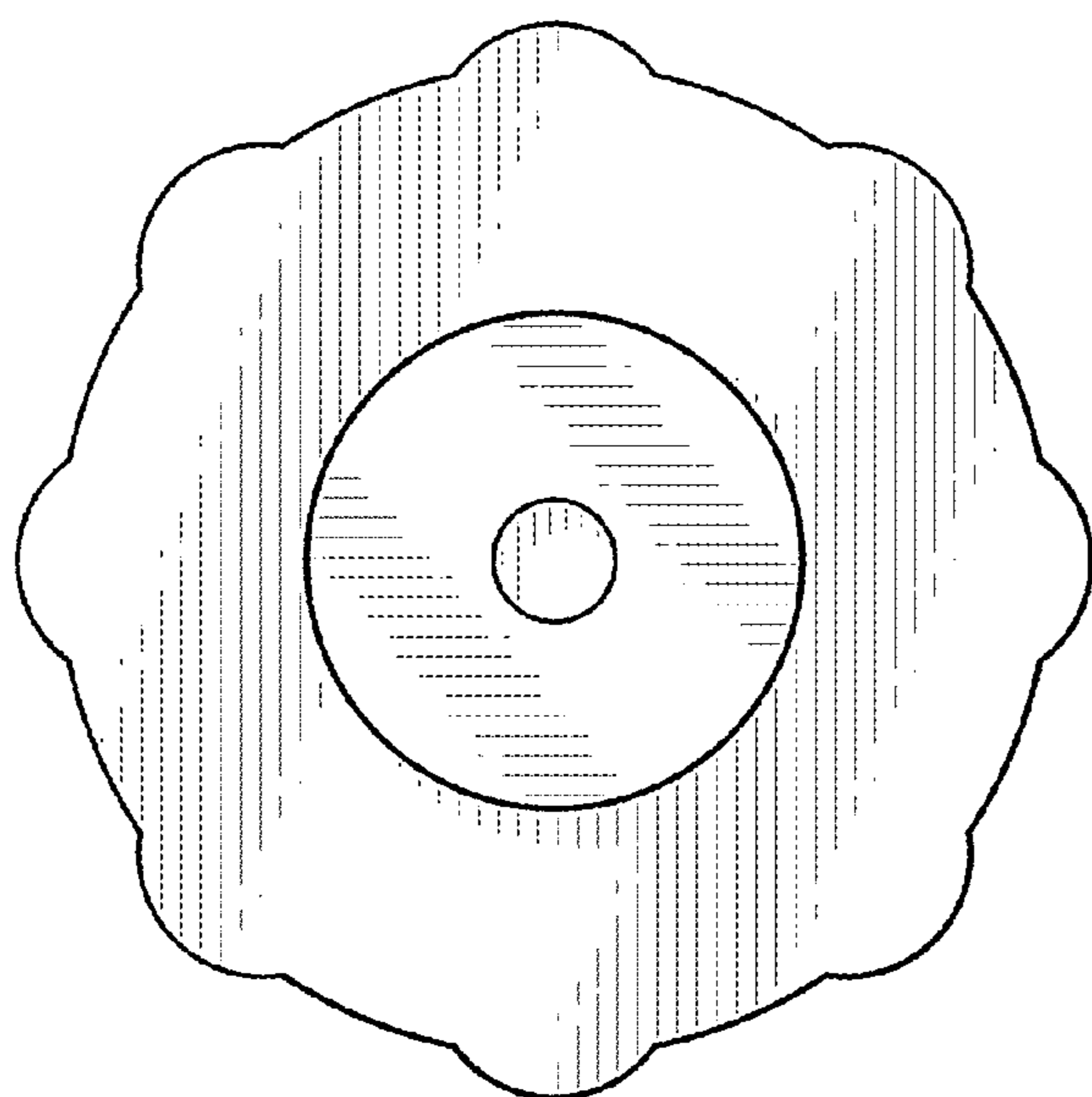


FIG-4



FIG-5