



US00D717206S

(12) **United States Design Patent**
Iannello et al.

(10) **Patent No.:** **US D717,206 S**

(45) **Date of Patent:** **** Nov. 11, 2014**

(54) **BUCKLE COMPONENT**

(71) Applicant: **Illinois Tool Works Inc.**, Glenview, IL
(US)

(72) Inventors: **Christopher A. J. Iannello**, Rolling
Meadows, IL (US); **Martin J. Nilsen**,
Hampshire, IL (US)

(73) Assignee: **Illinois Tool Works Inc.**, Glenview, IL
(US)

(**) Term: **14 Years**

(21) Appl. No.: **29/494,198**

(22) Filed: **Jun. 18, 2014**

(51) **LOC (10) Cl.** **02-07**

(52) **U.S. Cl.**
USPC **D11/216**

(58) **Field of Classification Search**
USPC D11/1-2, 200-201, 206-210, 214-218;
24/163 R, 169-171, 173, 177-179, 191,
24/194-195, 197, 200, 614-616, 625, 198

See application file for complete search history.

(56) **References Cited**

U.S. PATENT DOCUMENTS

D340,886 S *	11/1993	Anscher	D11/218
D536,279 S *	2/2007	Grimm	D11/216
D562,728 S	2/2008	Downing et al.	
D680,900 S *	4/2013	Grimm	D11/216

* cited by examiner

Primary Examiner — Ralf Seifert

(74) *Attorney, Agent, or Firm* — Paul F. Donovan

(57) **CLAIM**

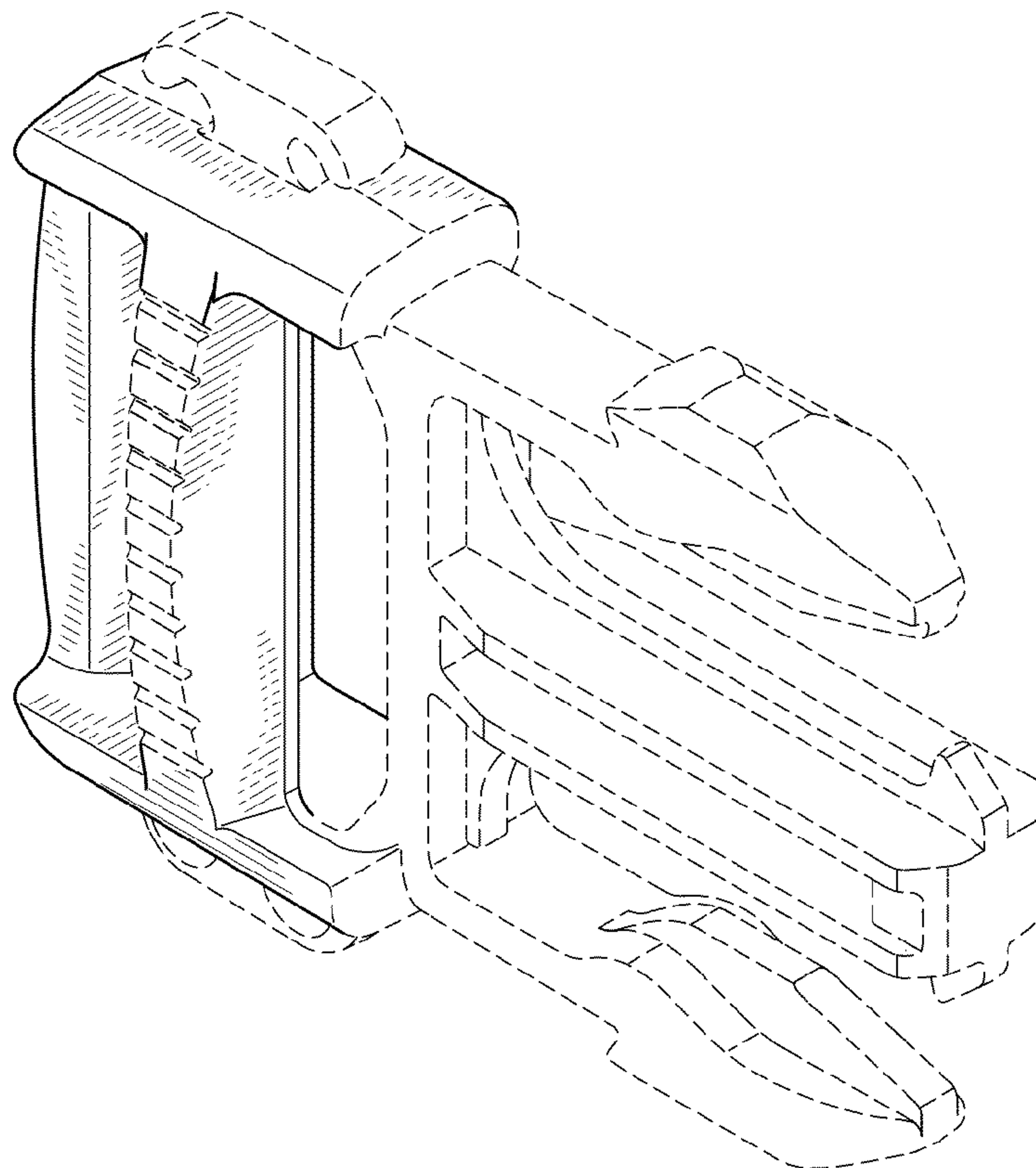
The ornamental design for a buckle component, as shown and described.

DESCRIPTION

FIG. 1 is a perspective view of a buckle component showing our new design;
FIG. 2 is a perspective view of another showing of the buckle;
FIG. 3 is a perspective view of another showing of the buckle;
FIG. 4 is a top view of FIG. 2;
FIG. 5 is a bottom view of FIG. 2;
FIG. 6 is a right side view of FIG. 2;
FIG. 7 is a left side view of FIG. 2;
FIG. 8 is a front view of FIG. 2; and,
FIG. 9 is a back view of FIG. 2.

The broken line portions of the disclosure are for illustrative purposes only and form no part of the claimed design.

1 Claim, 5 Drawing Sheets



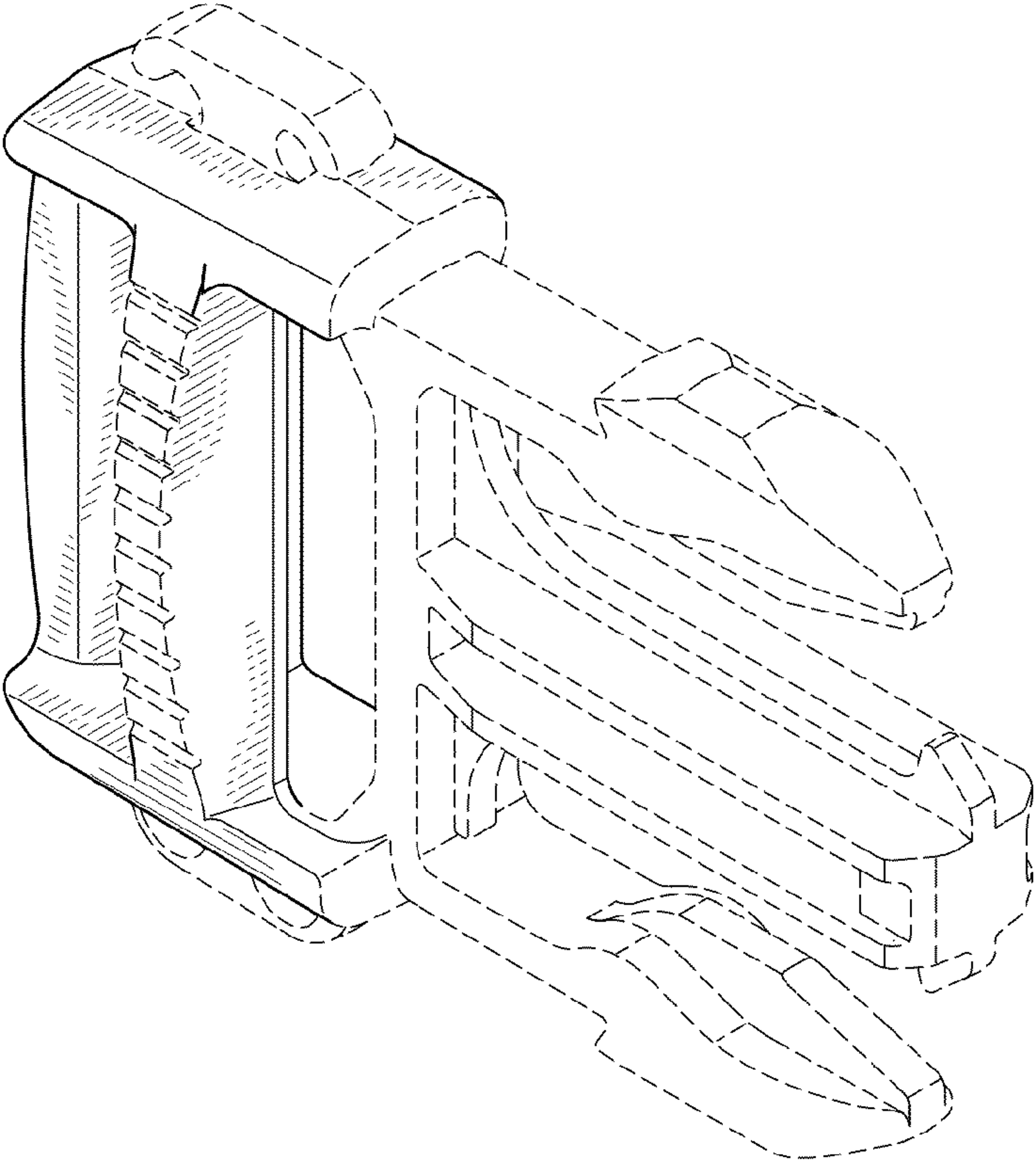
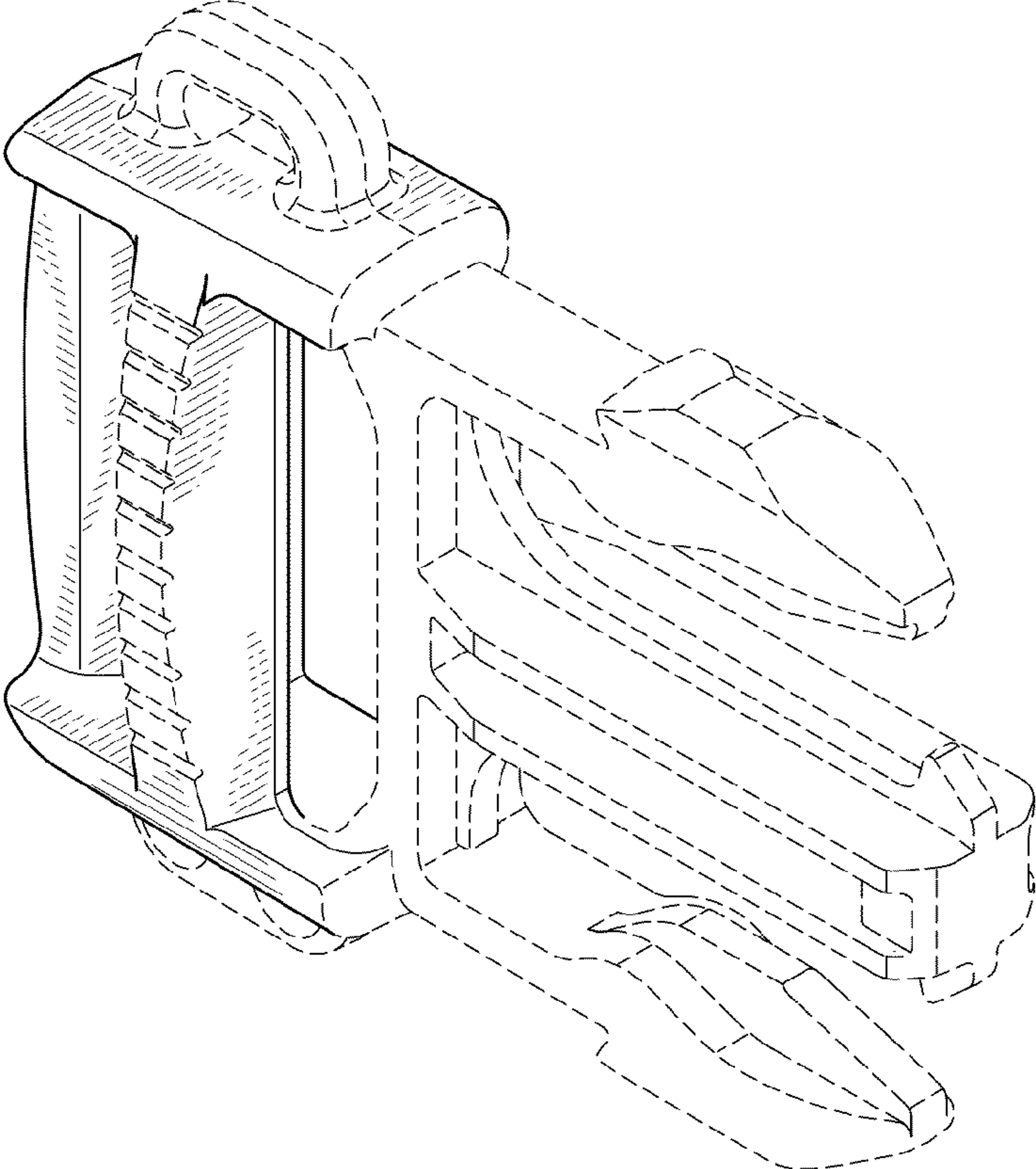


FIG. 1

FIG. 2



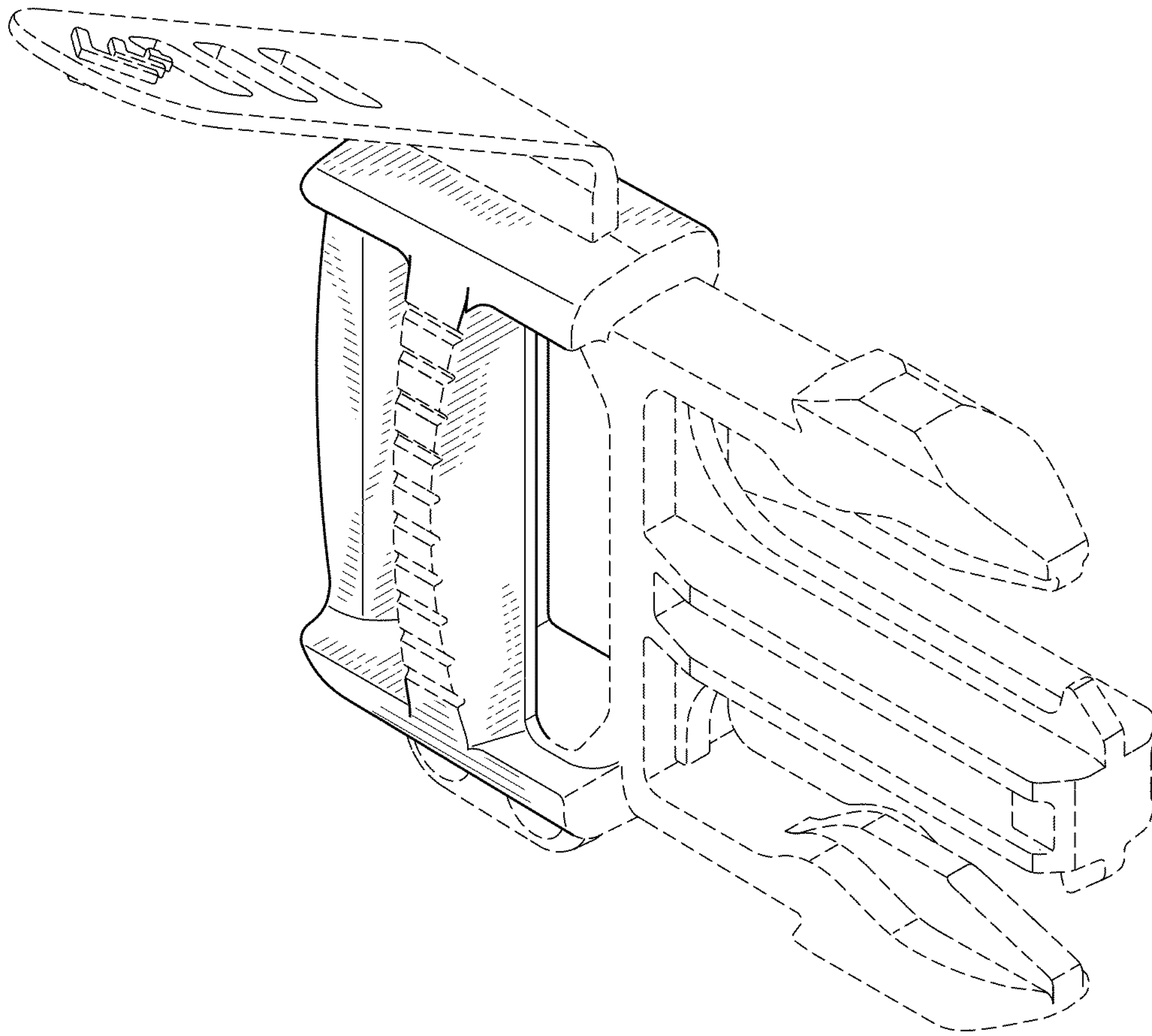


FIG. 3

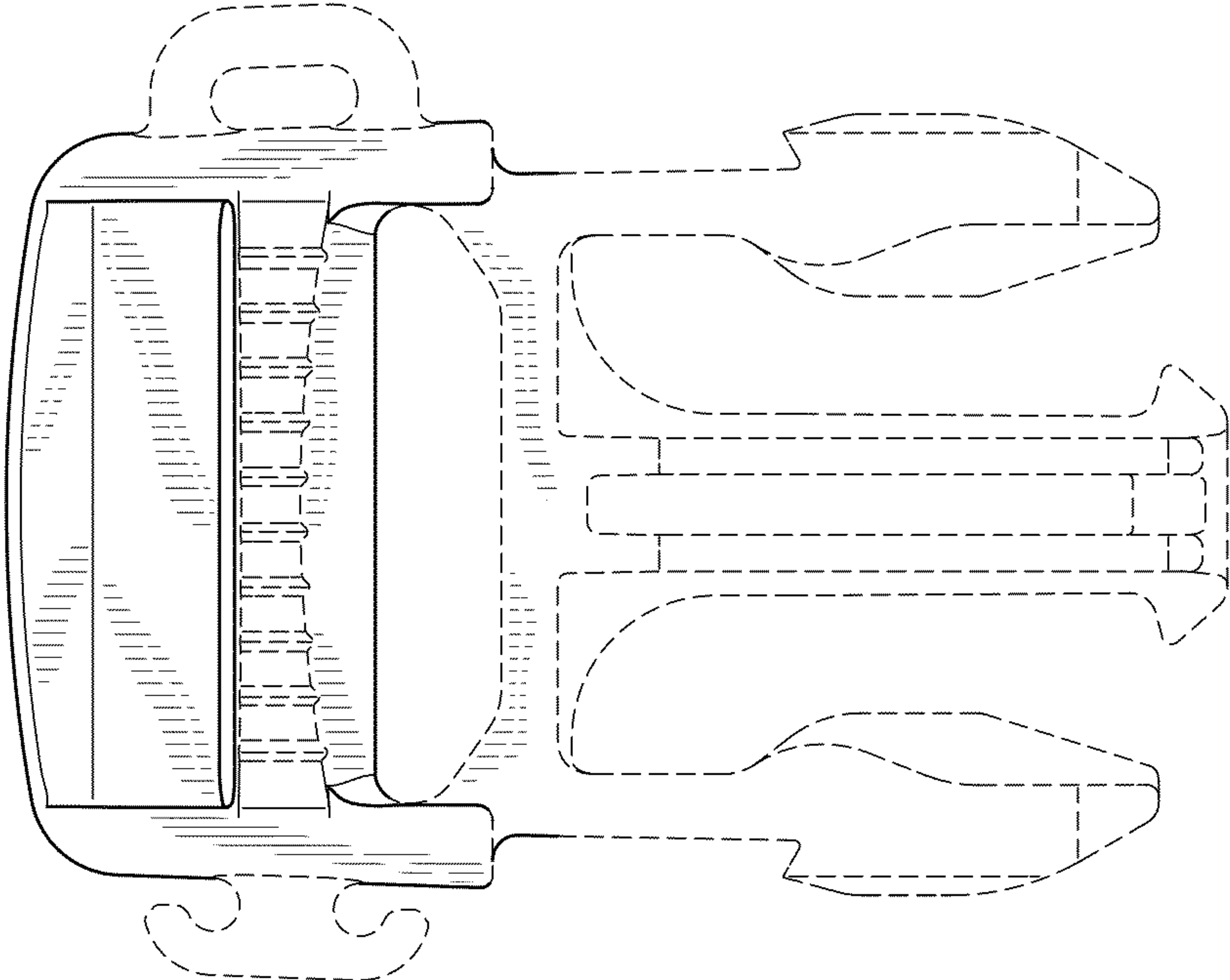


FIG. 4

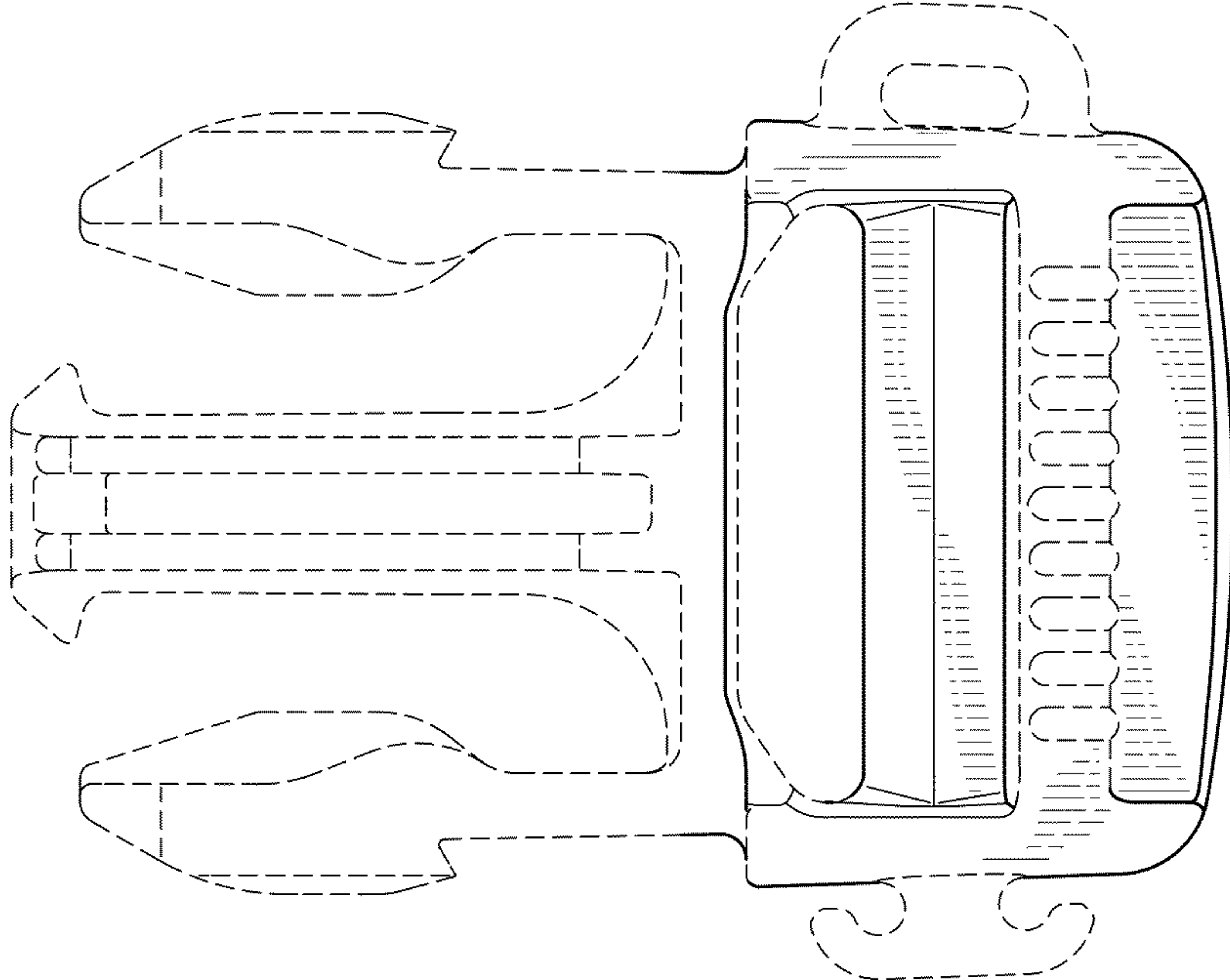


FIG. 5

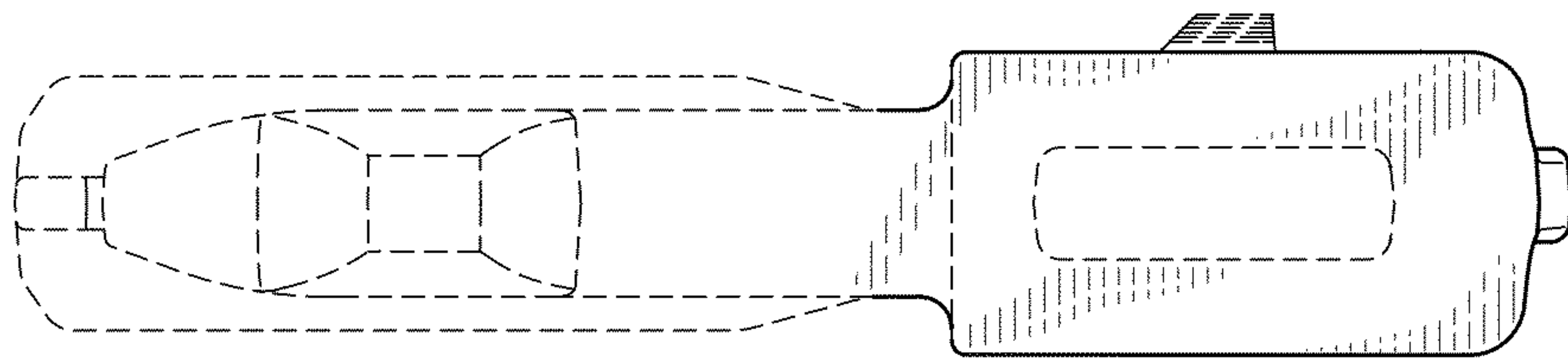


FIG. 6

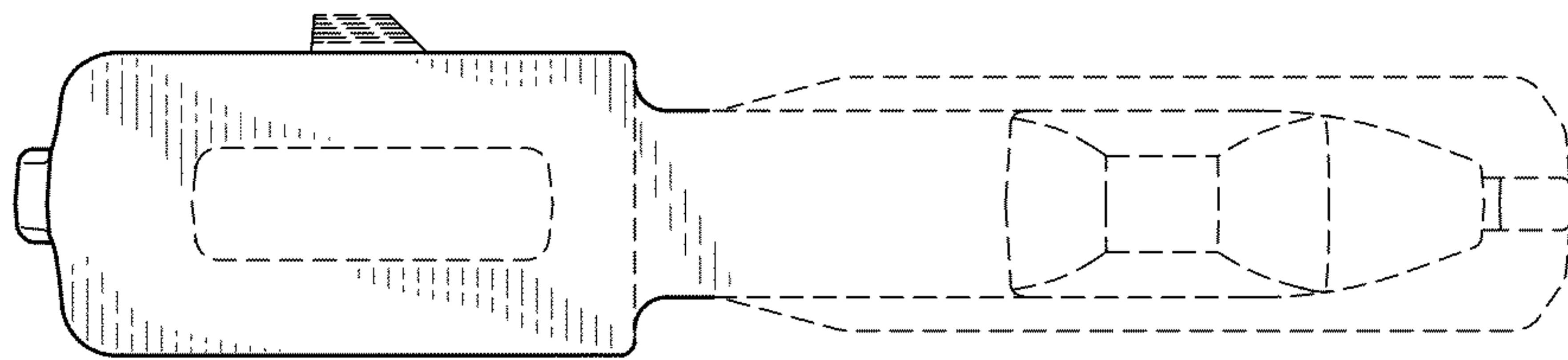


FIG. 7

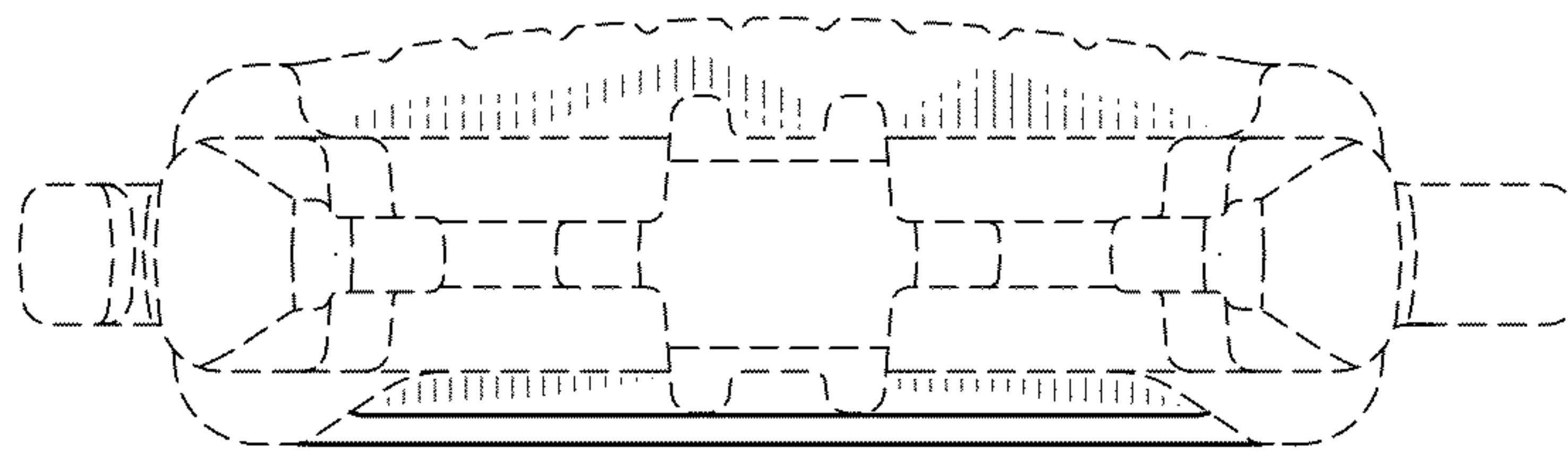


FIG. 8

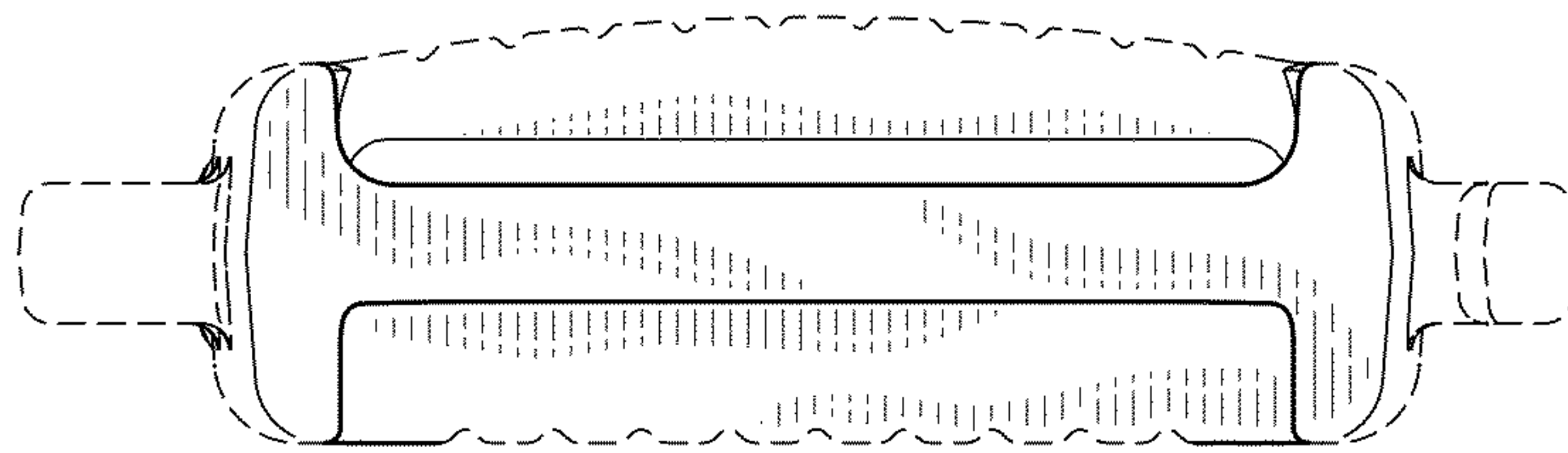


FIG. 9