



US00D717203S

(12) **United States Design Patent**
Thuma et al.

(10) **Patent No.:** **US D717,203 S**
(45) **Date of Patent:** **** Nov. 11, 2014**

- (54) **PLANTER**
- (71) Applicant: **Suncast Technologies, LLC**, Palm Beach Gardens, FL (US)
- (72) Inventors: **Michael Thuma**, La Grange, IL (US);
Brian J. Russell, Aurora, IL (US);
Michael R. Vogler, Oswego, IL (US)
- (73) Assignee: **Suncast Technologies, LLC**, Palm Beach Gardens, FL (US)

2,012,113	A	*	8/1935	Thompson	215/363
2,246,346	A	*	6/1941	Carroll	431/298
D221,135	S	*	7/1971	Schorer et al.	D7/531
4,416,370	A	*	11/1983	Beall	206/217
6,339,899	B1	*	1/2002	Lehmann	47/65.5
D489,501	S	*	5/2004	Dretzka	D34/1
6,862,844	B1	*	3/2005	Rubicz	47/71
D531,452	S	*	11/2006	Toth	D7/523
D572,168	S	*	7/2008	Kurtz	D11/152
D575,987	S	*	9/2008	Williams	D7/523
D625,851	S	*	10/2010	Furner et al.	D26/22
D707,373	S	*	6/2014	Nugent	D26/22

* cited by examiner

(**) Term: **14 Years**

Primary Examiner — Elizabeth Albert

(21) Appl. No.: **29/476,345**

(74) *Attorney, Agent, or Firm* — McHale & Slavin, P.A.

(22) Filed: **Dec. 12, 2013**

(57) **CLAIM**

The ornamental design for a planter, as shown and described.

(51) **LOC (10) Cl.** **11-02**

DESCRIPTION

(52) **U.S. Cl.**

USPC **D11/154**

(58) **Field of Classification Search**

USPC D6/403–405; D9/428, 429;
D11/143–156, 164; 47/17, 18, 32.7,
47/33, 39, 41.01, 41.11–41.15, 65, 65.5,
47/66.1, 66.6, 66.7, 67–71; D7/531

See application file for complete search history.

FIG. 1 is a top front perspective view of the planter of the present invention;
FIG. 2 is a bottom front perspective view thereof;
FIG. 3 is a front view thereof, the rear view being a mirror image thereof;
FIG. 4 is a right side view thereof, the left side view being a mirror image thereof;
FIG. 5 is a top view thereof; and,
FIG. 6 is a bottom view thereof.

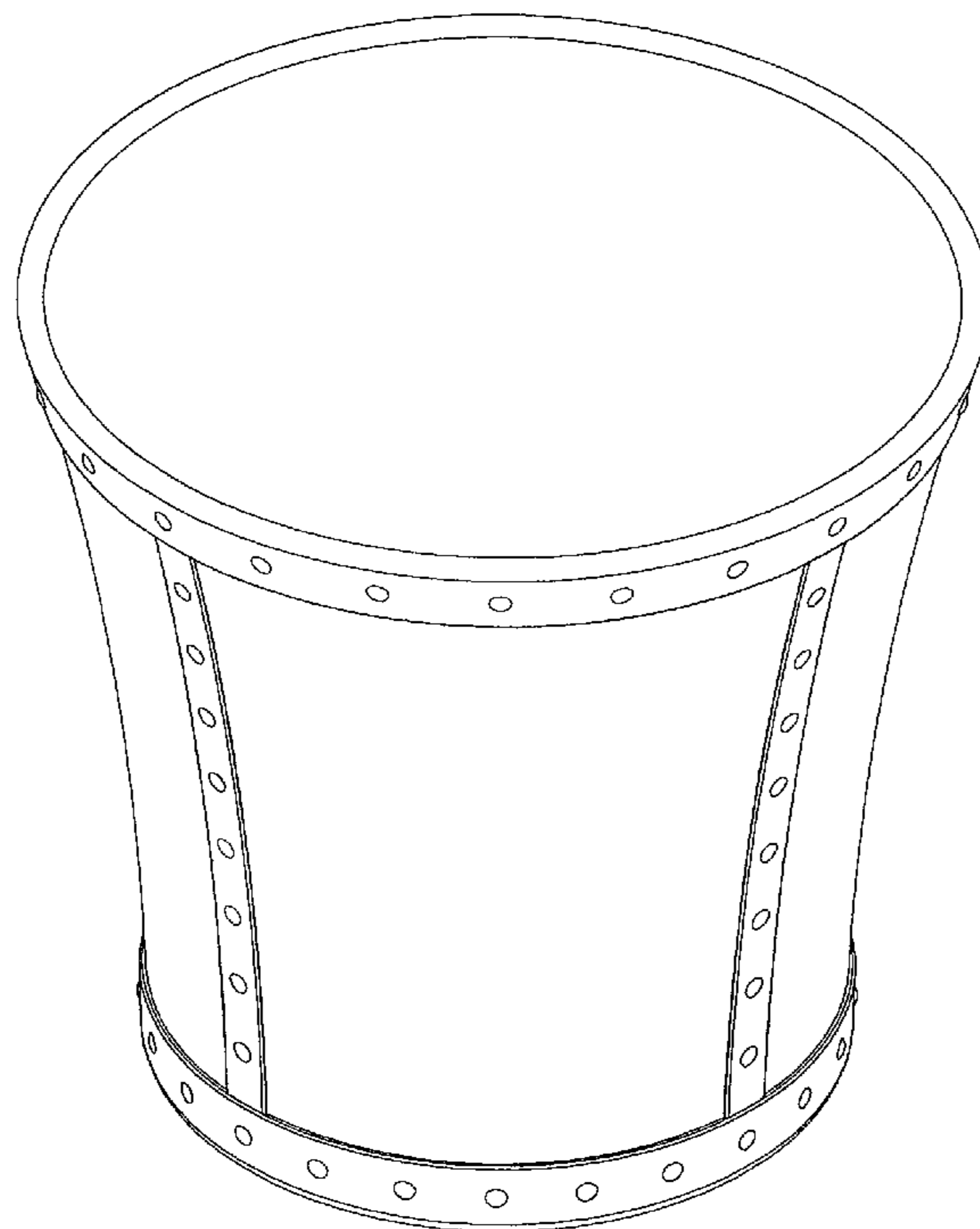
The portions of the inside of the planter in broken lines are included for the purpose of showing portions that form no part of the claimed design.

(56) **References Cited**

U.S. PATENT DOCUMENTS

D9,324	S	*	6/1876	Atterbury	D7/559
357,698	A	*	2/1887	Burrough	47/71
D66,233	S	*	12/1924	Heisey	D7/531

1 Claim, 6 Drawing Sheets



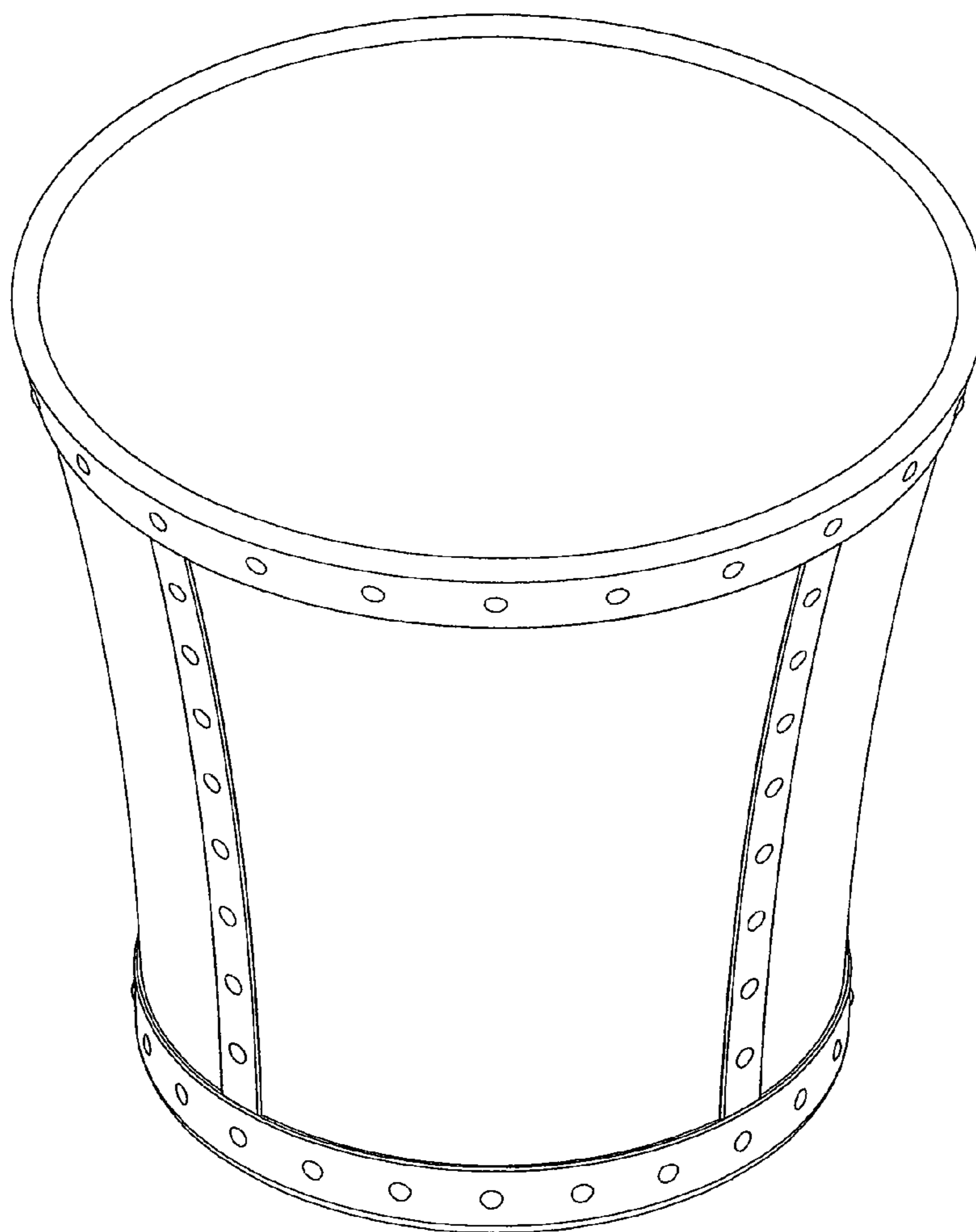


Fig. 1

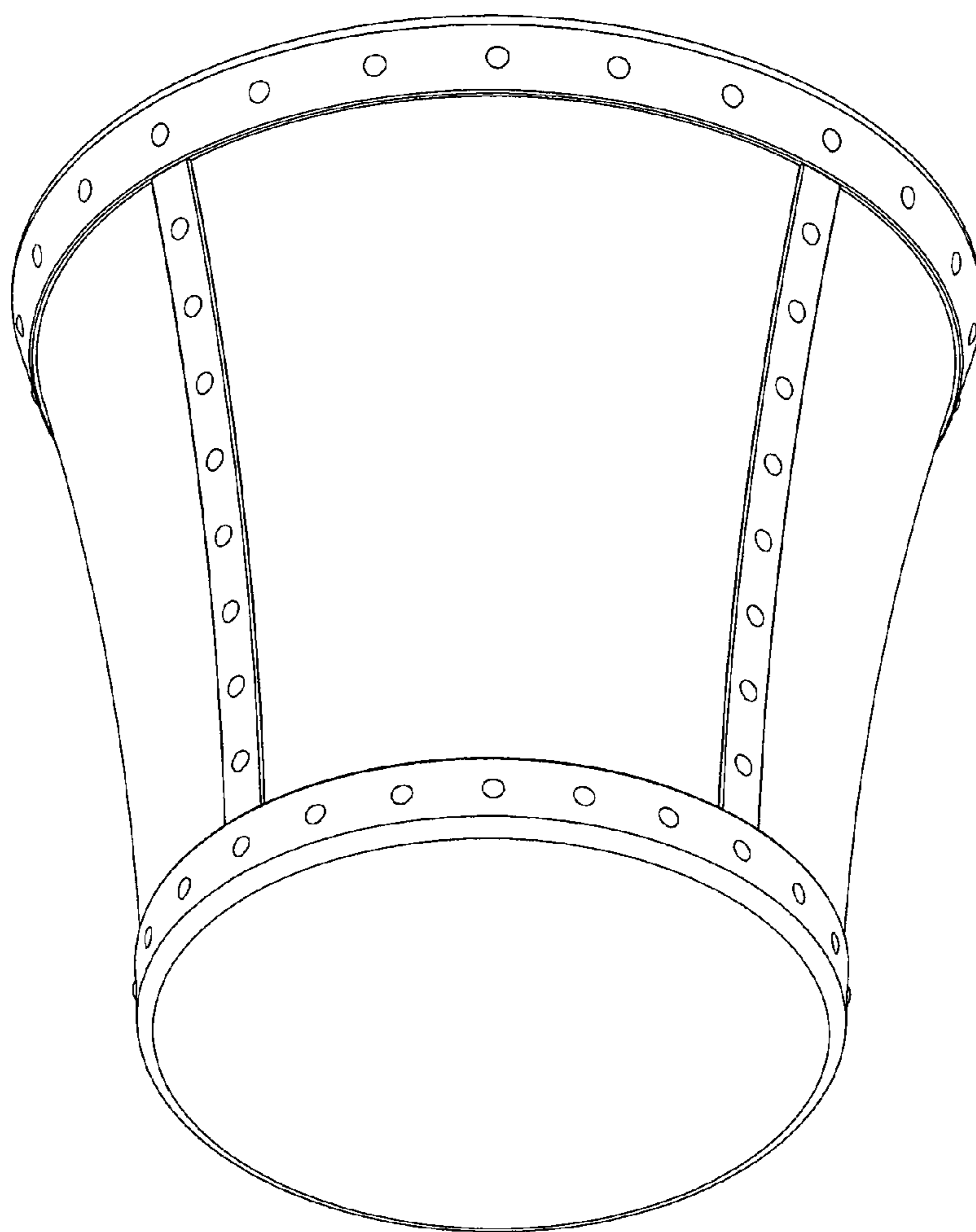


Fig. 2

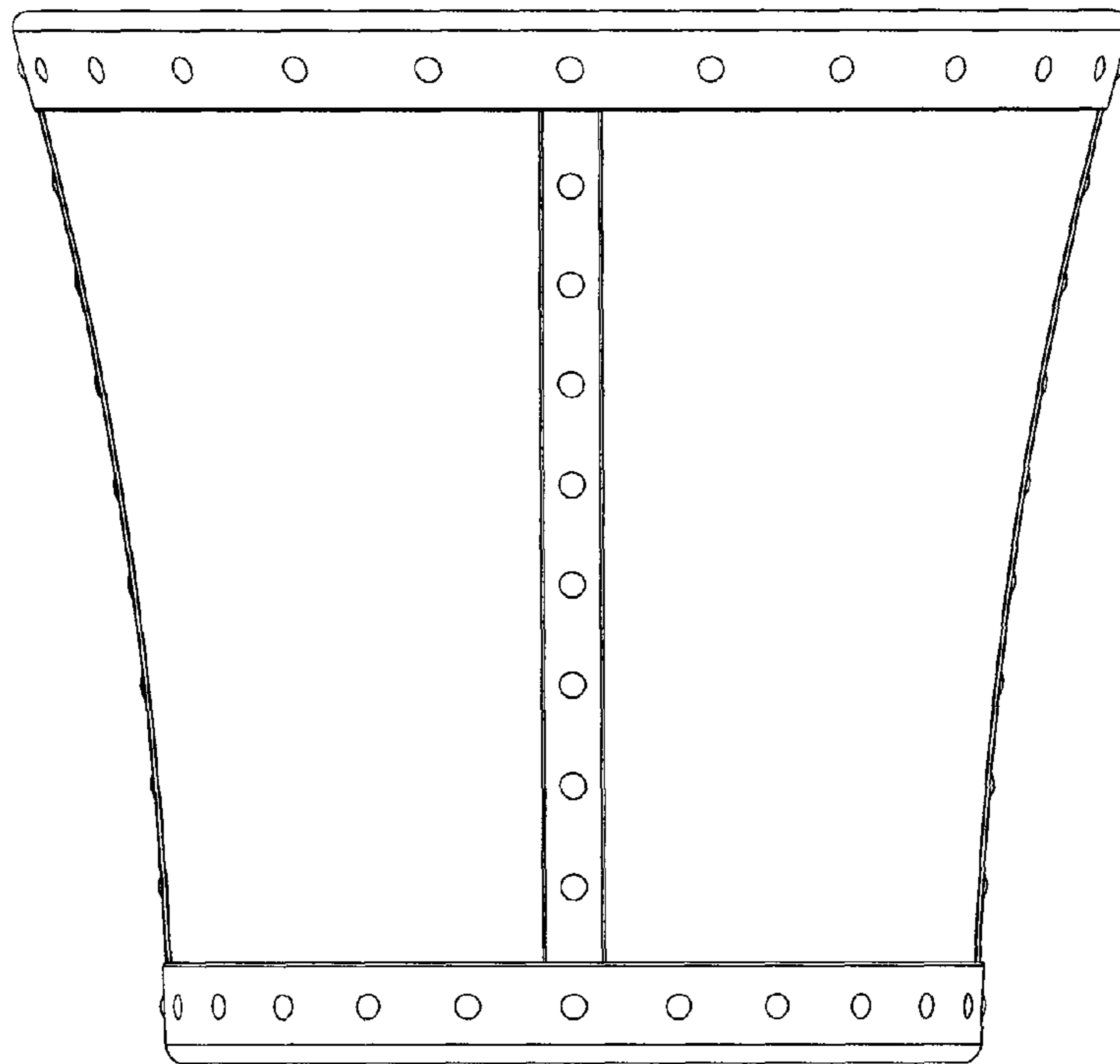


Fig. 3

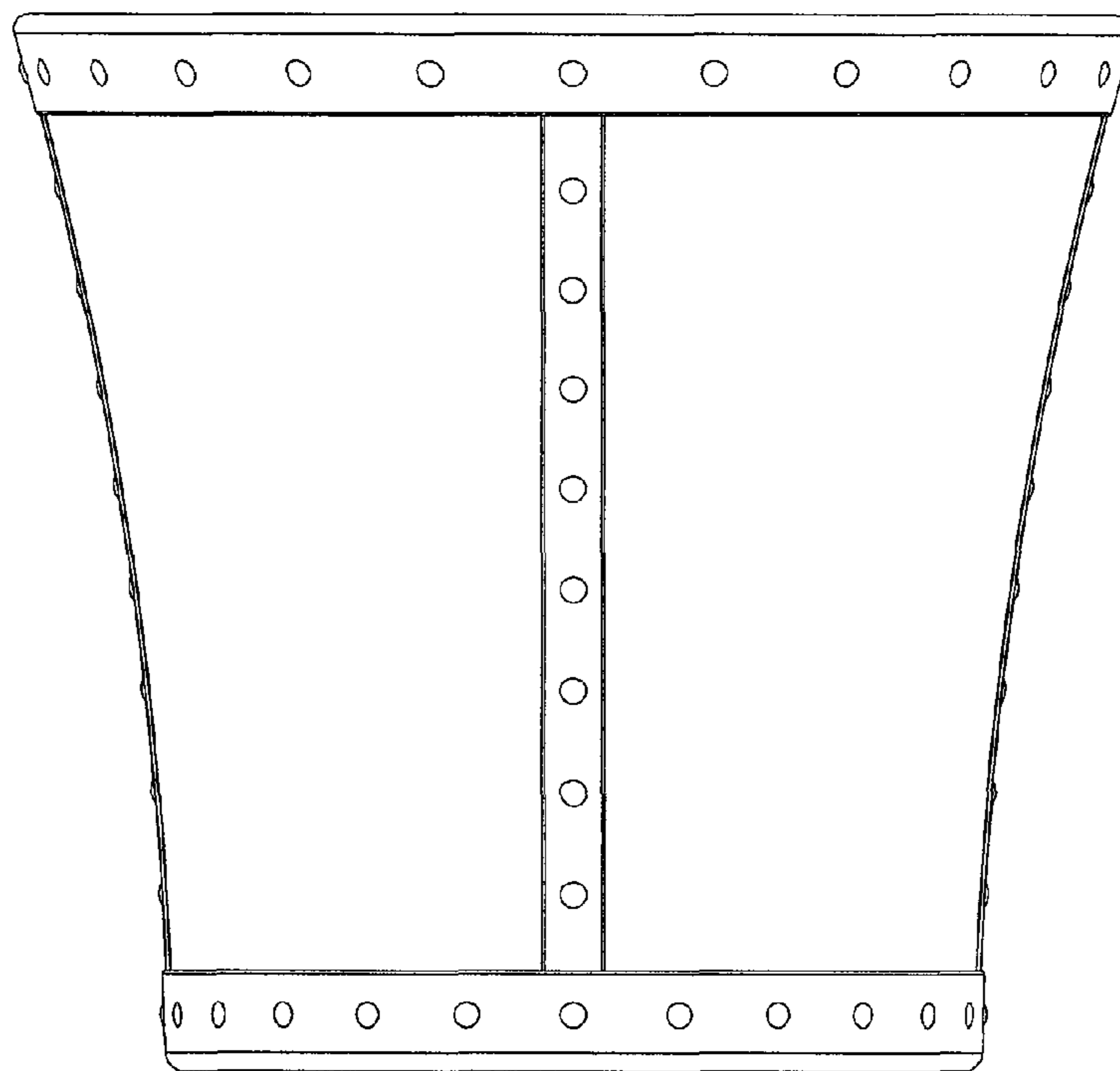


Fig. 4

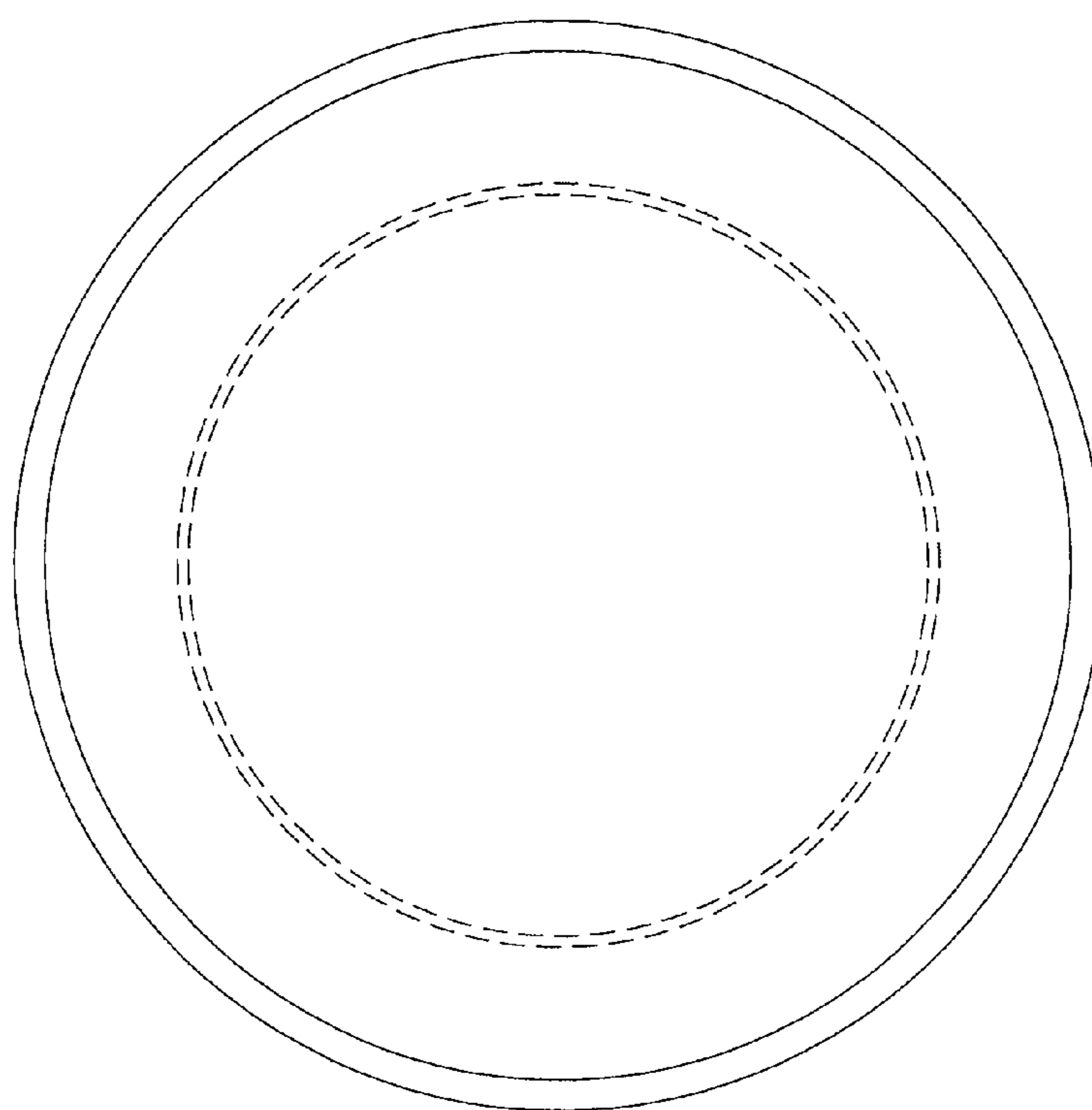


Fig. 5

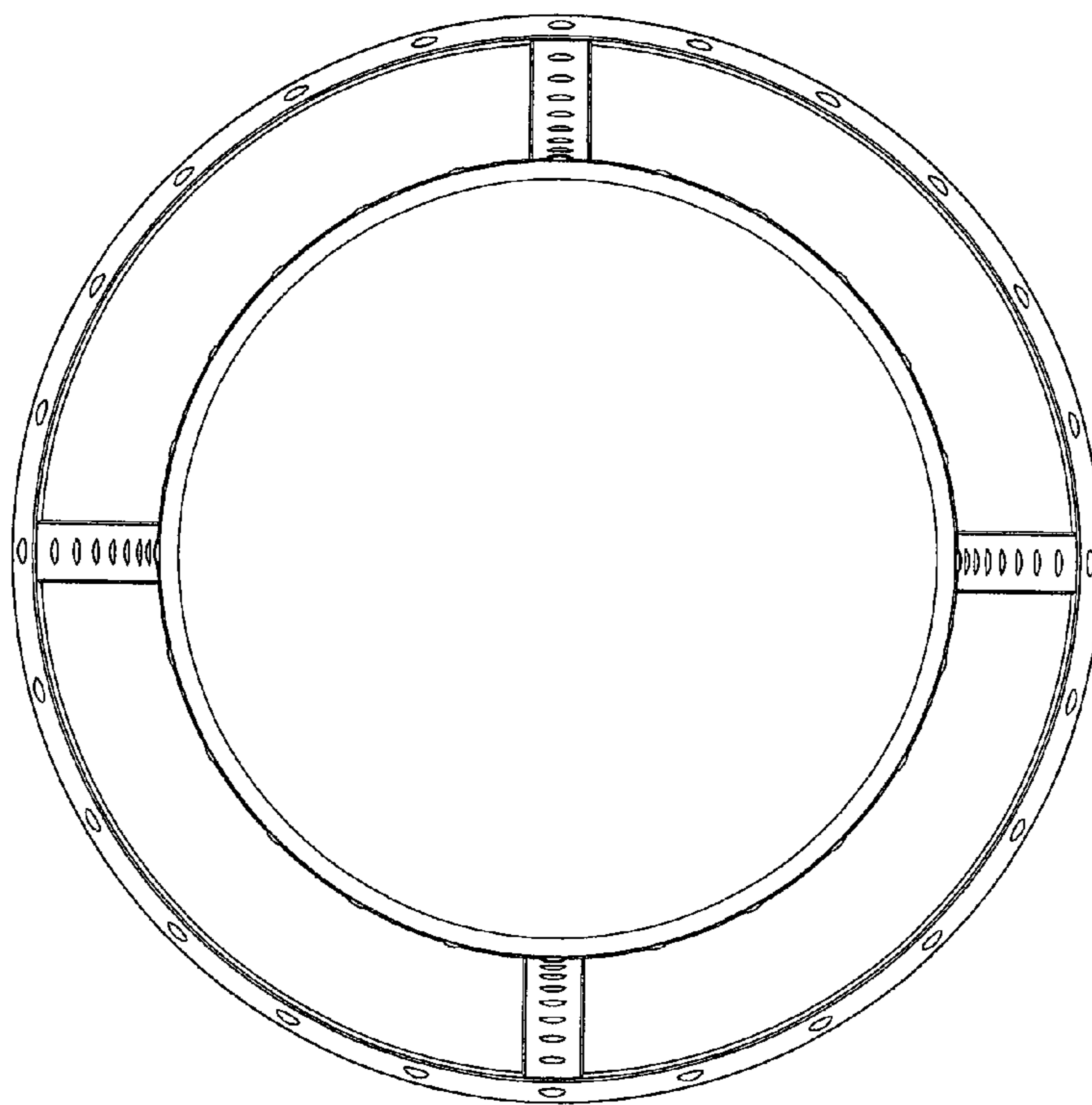


Fig. 6