



US00D717202S

(12) **United States Design Patent**  
**Thuma et al.**

(10) **Patent No.:** **US D717,202 S**  
(45) **Date of Patent:** **\*\* Nov. 11, 2014**

- (54) **PLANTER**
- (71) Applicant: **Suncast Technologies, LLC**, Palm Beach Gardens, FL (US)
- (72) Inventors: **Michael Thuma**, La Grange, IL (US);  
**Brian C. Donnelly**, Naperville, IL (US);  
**Michael R. Vogler**, Oswego, IL (US)
- (73) Assignee: **Suncast Technologies, LLC**, Palm Beach Gardens, FL (US)
- (\*\*) Term: **14 Years**
- (21) Appl. No.: **29/479,714**
- (22) Filed: **Jan. 17, 2014**
- (51) **LOC (10) Cl.** ..... **11-02**
- (52) **U.S. Cl.**  
USPC ..... **D11/152**
- (58) **Field of Classification Search**  
USPC ..... D6/403–405; D9/428, 429;  
D11/143–156, 164; 47/17, 18, 32.7,  
47/33, 39, 41.01, 41.11–41.15, 65, 65.5,  
47/66.1, 66.6, 66.7, 67–71; D7/531  
See application file for complete search history.

(56) **References Cited**

**U.S. PATENT DOCUMENTS**

- D199,336 S \* 10/1964 Wanderer ..... D9/429
- D340,674 S \* 10/1993 Carlson ..... D11/152

- D445,414 S \* 7/2001 Powers, Jr. .... D14/207
- D461,432 S \* 8/2002 Carlson ..... D11/153
- D502,669 S \* 3/2005 Smith et al. .... D11/155
- D564,394 S \* 3/2008 Schmidt ..... D11/152
- D594,775 S \* 6/2009 Moreau ..... D11/152
- D614,080 S \* 4/2010 Woerner ..... D11/152
- D636,701 S \* 4/2011 White ..... D11/152
- D704,592 S \* 5/2014 Hung et al. .... D11/152
- D708,546 S \* 7/2014 Hung et al. .... D11/151
- 2013/0269250 A1 \* 10/2013 Hung ..... 47/65.5

\* cited by examiner

*Primary Examiner* — Elizabeth Albert

(74) *Attorney, Agent, or Firm* — McHale & Slavin, P.A.

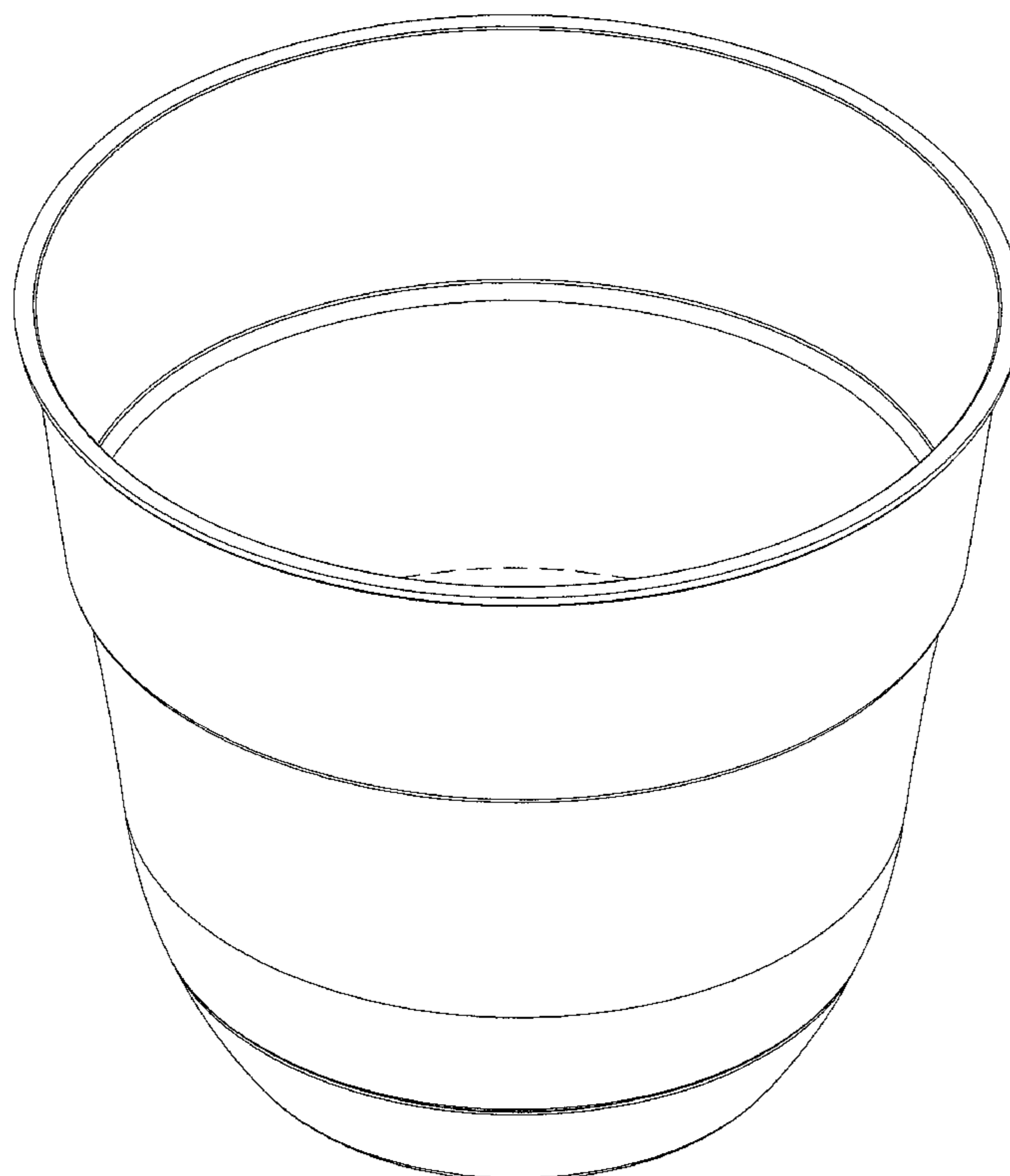
(57) **CLAIM**

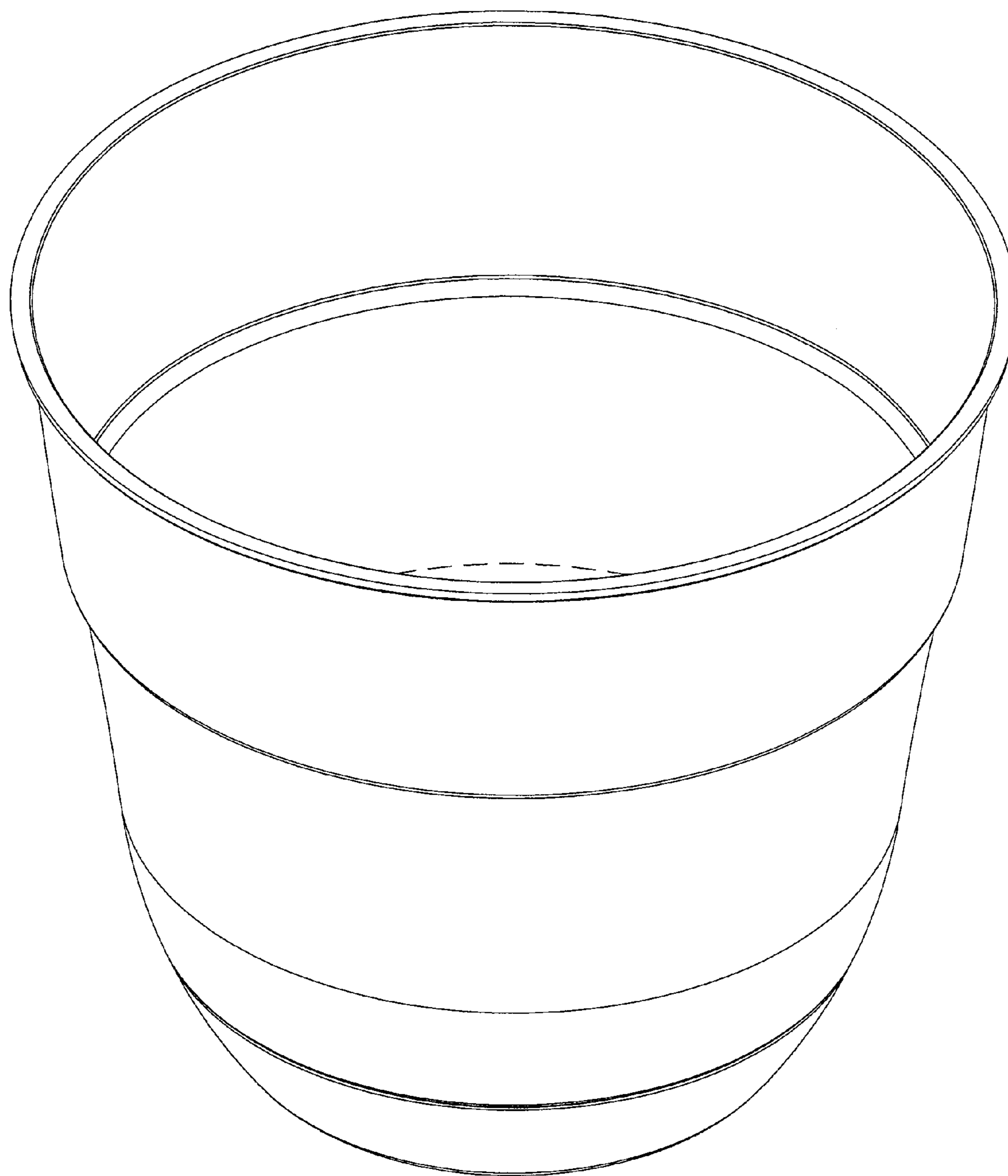
The ornamental design for a planter, as shown and described.

**DESCRIPTION**

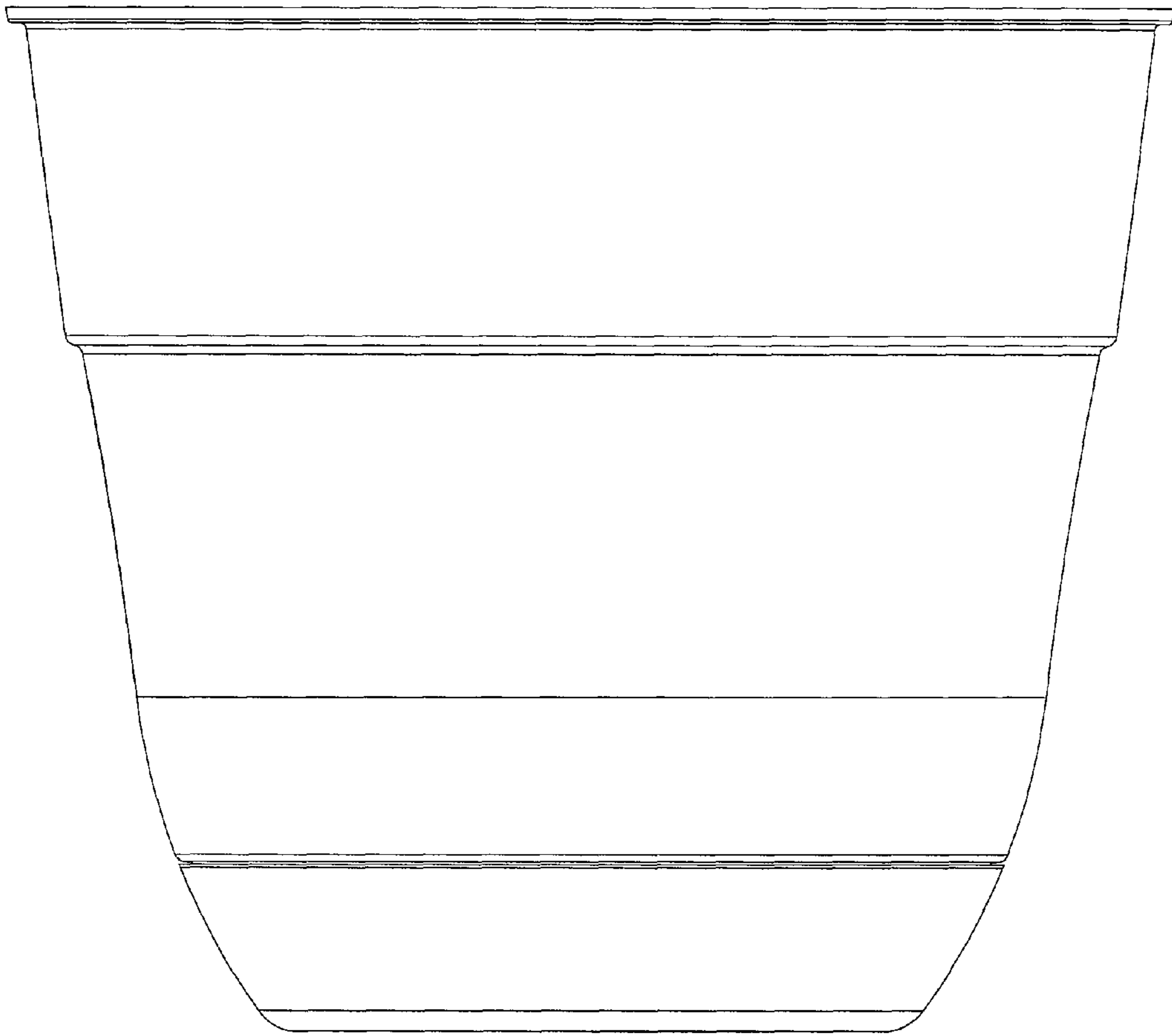
FIG. 1 is a top perspective view of the planter of the present invention;  
 FIG. 2 is a front view, the rear view being mirror image thereof;  
 FIG. 3 is a left side view, the right side view being a mirror image thereof;  
 FIG. 4 is a top view thereof; and,  
 FIG. 5 is a bottom view thereof.  
 The portions of the inside and bottom of the planter in broken lines are included for the purpose of showing portions that form no part of the claimed design.

**1 Claim, 5 Drawing Sheets**

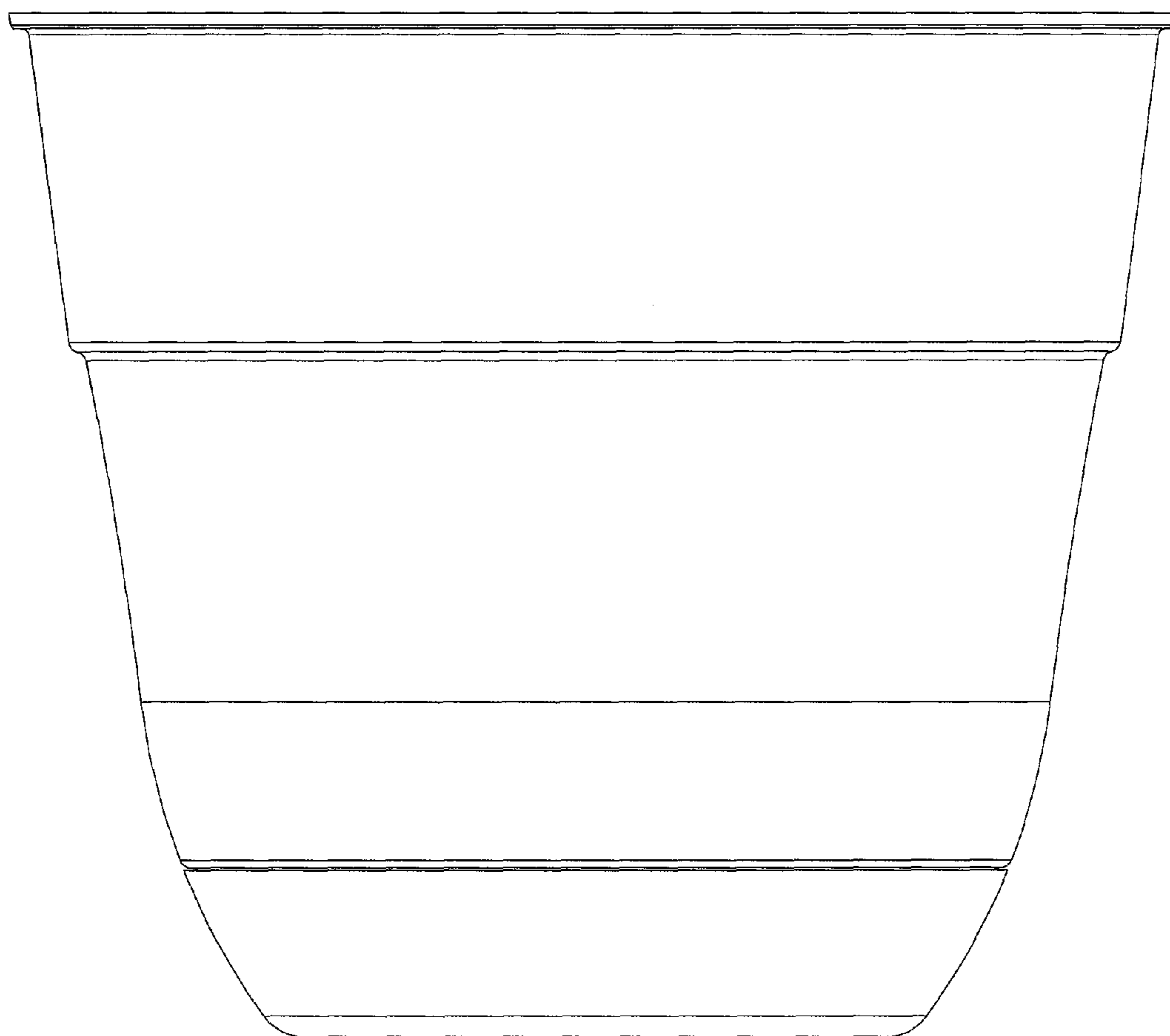




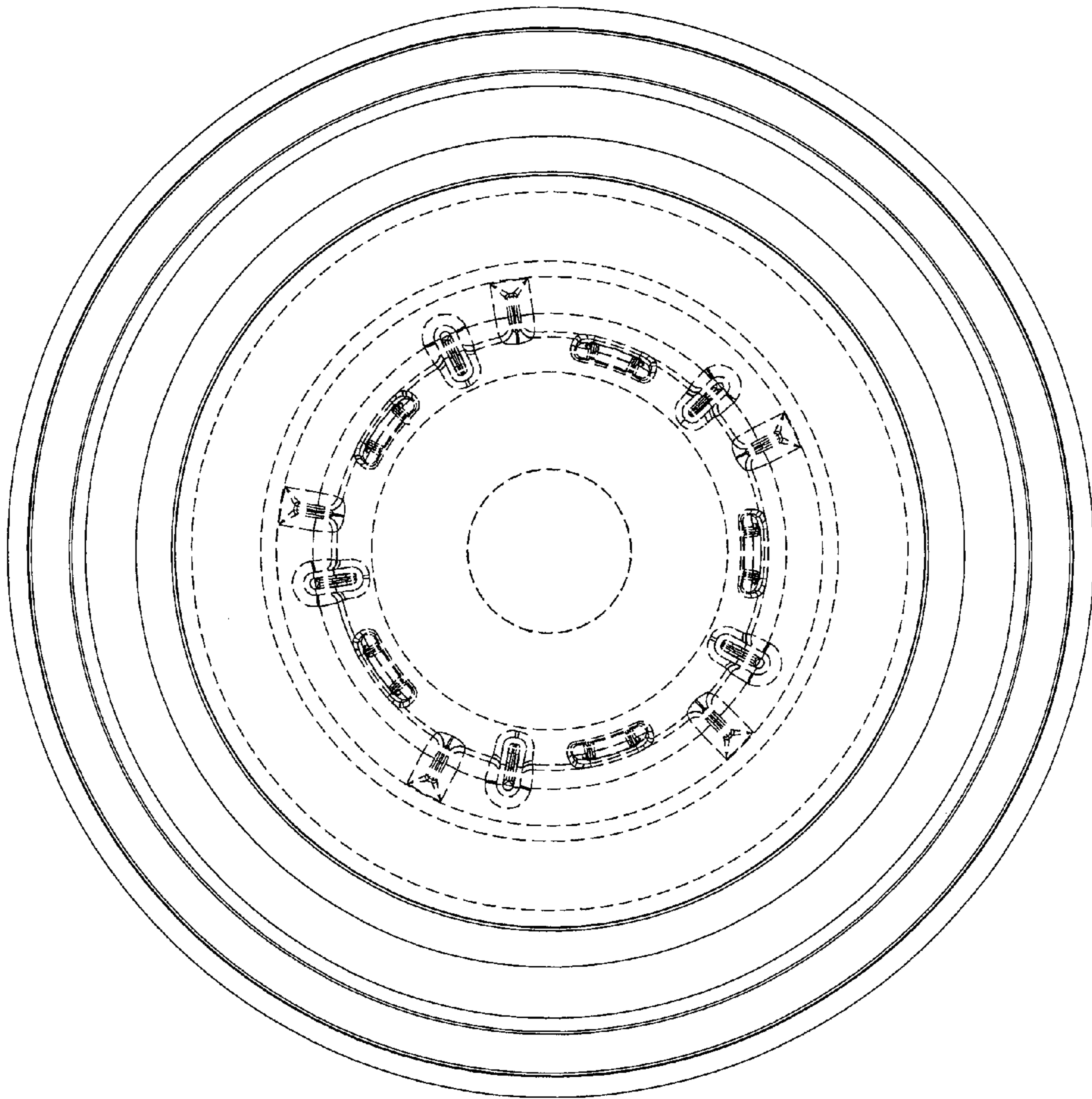
**Fig. 1**



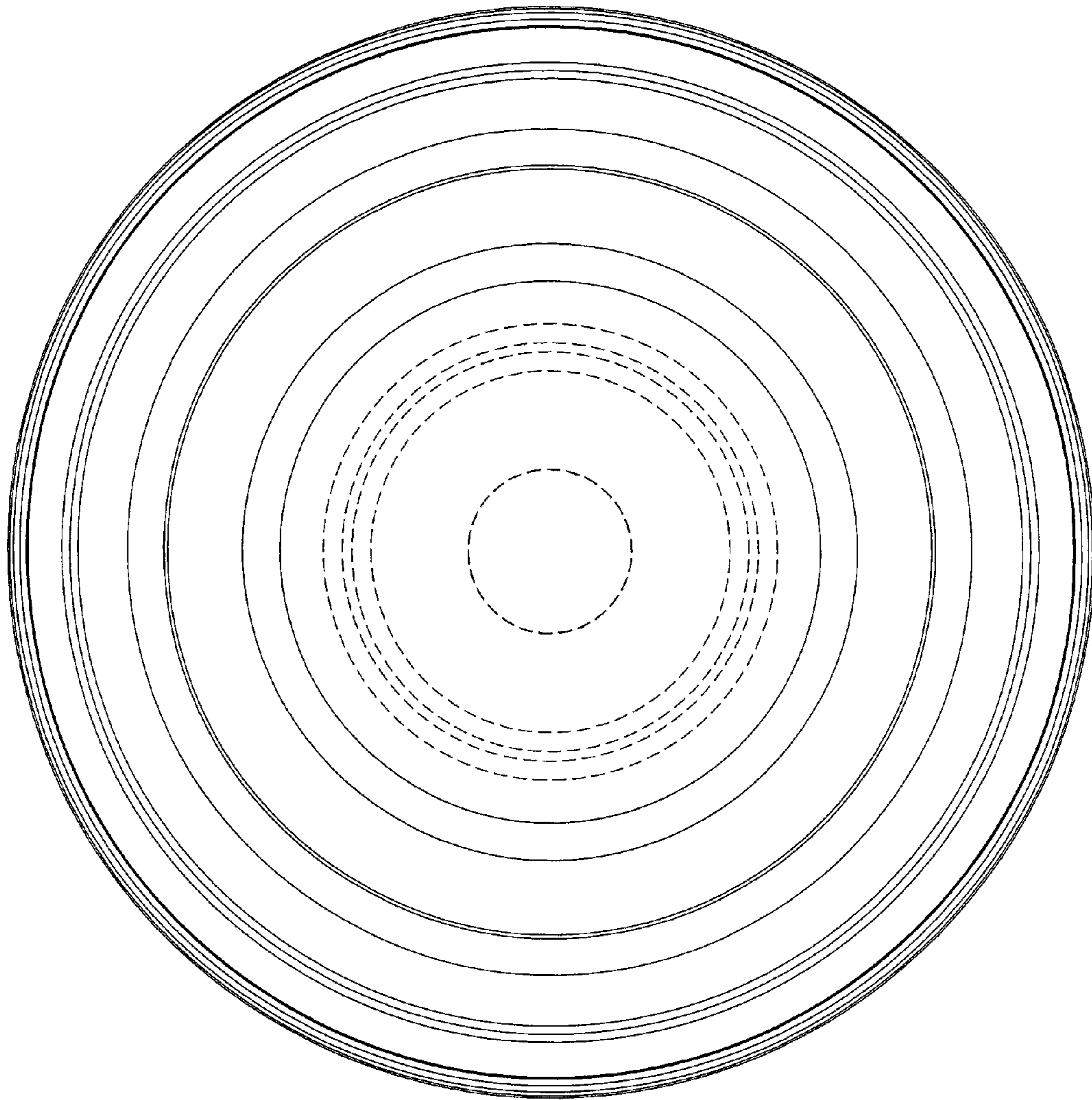
**Fig. 2**



**Fig. 3**



**Fig. 4**



**Fig. 5**