



US00D717193S

(12) **United States Design Patent**
Chipchase

(10) **Patent No.:** **US D717,193 S**

(45) **Date of Patent:** **** Nov. 11, 2014**

(54) **HANDSET CONTROLLER FOR DIESEL
SMOKE OPACIMETER**

(56) **References Cited**

(71) Applicant: **Kane International Limited**, Welwyn
Garden City (GB)

(72) Inventor: **Alan Trevor Chipchase**, Welwyn
Garden City (GB)

(73) Assignee: **Kane International Limited**, Welwyn
Garden City (GB)

(**) Term: **14 Years**

(21) Appl. No.: **29/460,494**

(22) Filed: **Jul. 11, 2013**

(30) **Foreign Application Priority Data**

Jul. 5, 2013 (EM) 002269563-0003

(51) **LOC (10) Cl.** **10-04**

(52) **U.S. Cl.**
USPC **D10/81**

(58) **Field of Classification Search**
CPC G01N 21/3504; G01N 2021/3595;
G01N 21/76; G01N 21/09
USPC D10/78, 81; 250/206, 239, 573, 574;
356/73, 244, 437-442

See application file for complete search history.

U.S. PATENT DOCUMENTS

5,774,209	A *	6/1998	Shestock	356/73
6,055,050	A *	4/2000	Skiffington	356/244
D692,335	S *	10/2013	Waler et al.	D10/81
D694,141	S *	11/2013	Lienenkamp	D10/101
D699,134	S *	2/2014	Waler et al.	D10/81
D701,781	S *	4/2014	Chen et al.	D10/78

* cited by examiner

Primary Examiner — Antoine D Davis

(74) *Attorney, Agent, or Firm* — Epstein Drangel LLP;
Robert L. Epstein

(57) **CLAIM**

The ornamental design for a handset controller for diesel
smoke opacimeter, as shown and described.

DESCRIPTION

FIG. 1 is an isometric view showing the front, bottom and
right-side of my invention;
FIG. 2 is a front elevation view of my invention;
FIG. 3 is a back elevation view of my invention;
FIG. 4 is a top elevation view of my invention;
FIG. 5 is a bottom elevation view of my invention; and,
FIG. 6 is a left-side elevation view of my invention.

1 Claim, 6 Drawing Sheets



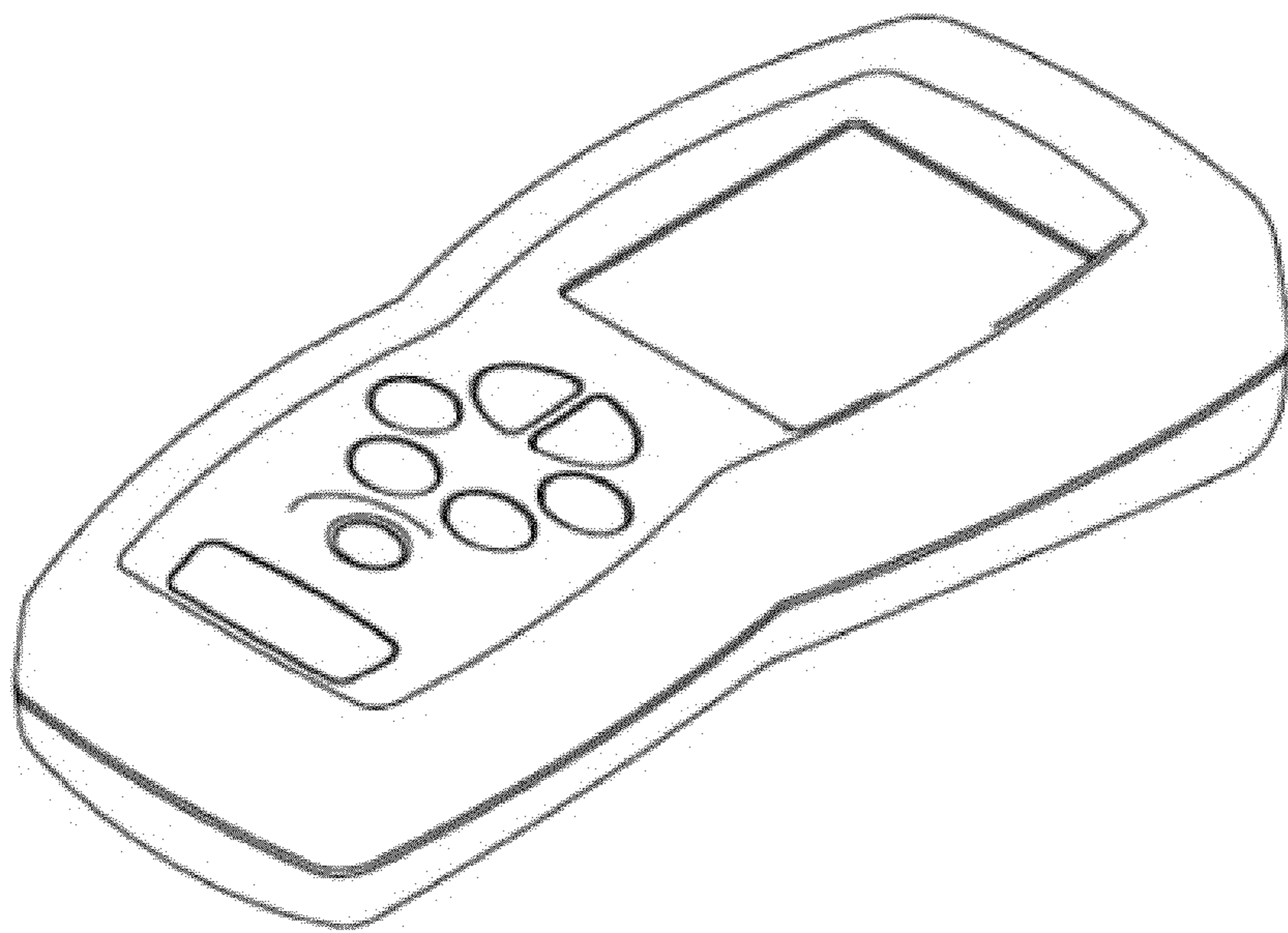


Fig. 1

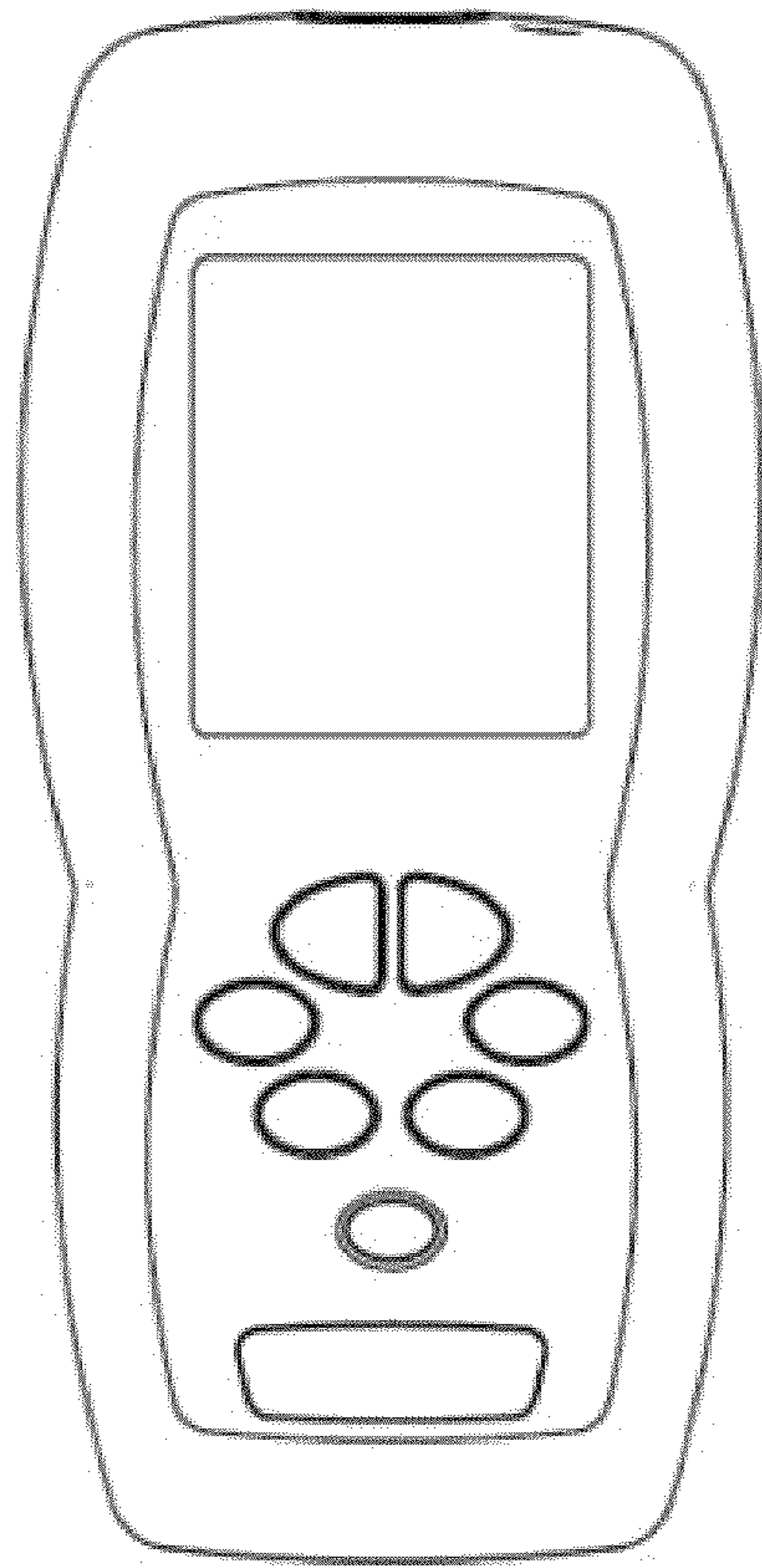


Fig. 2

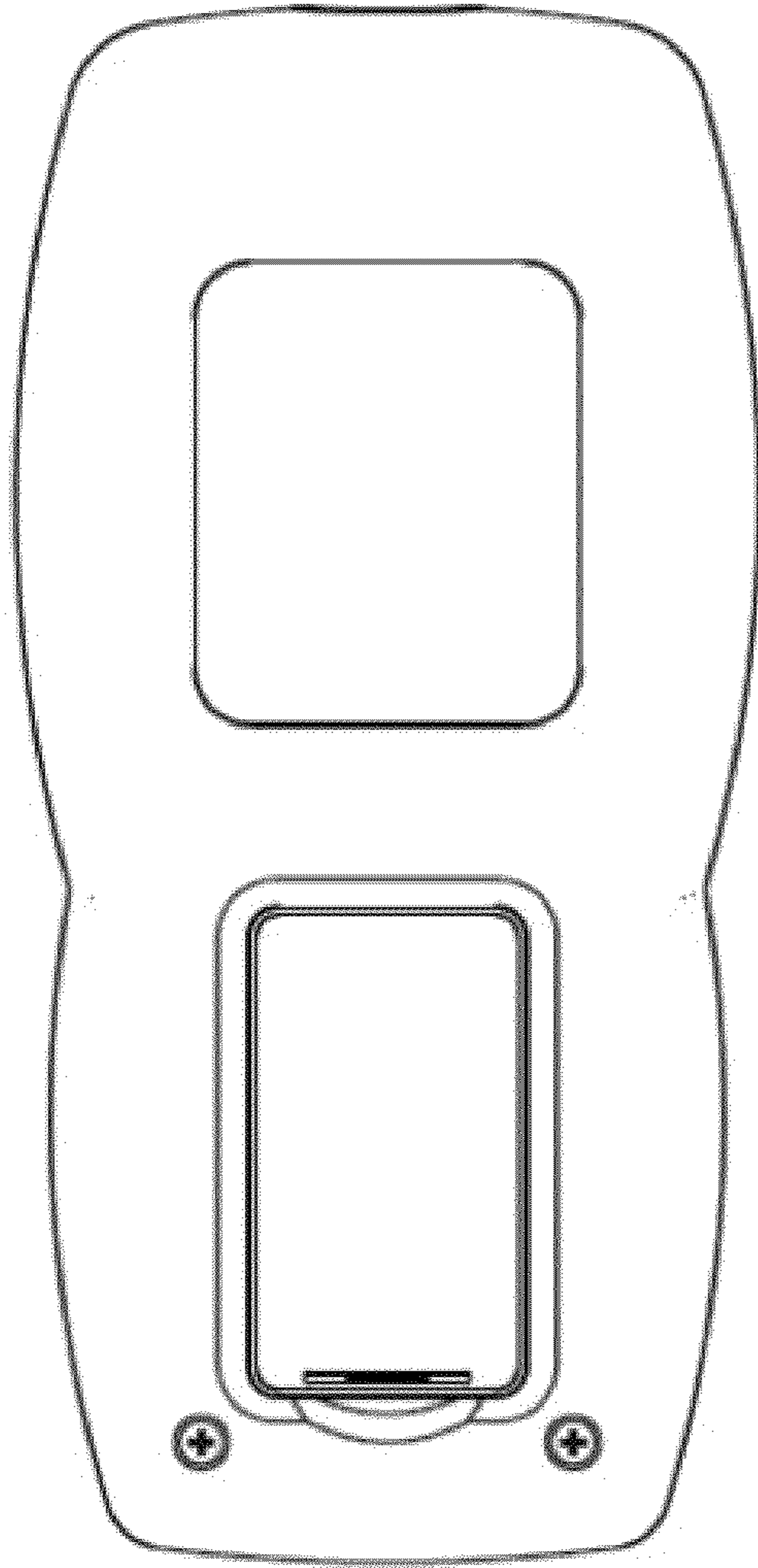


Fig. 3

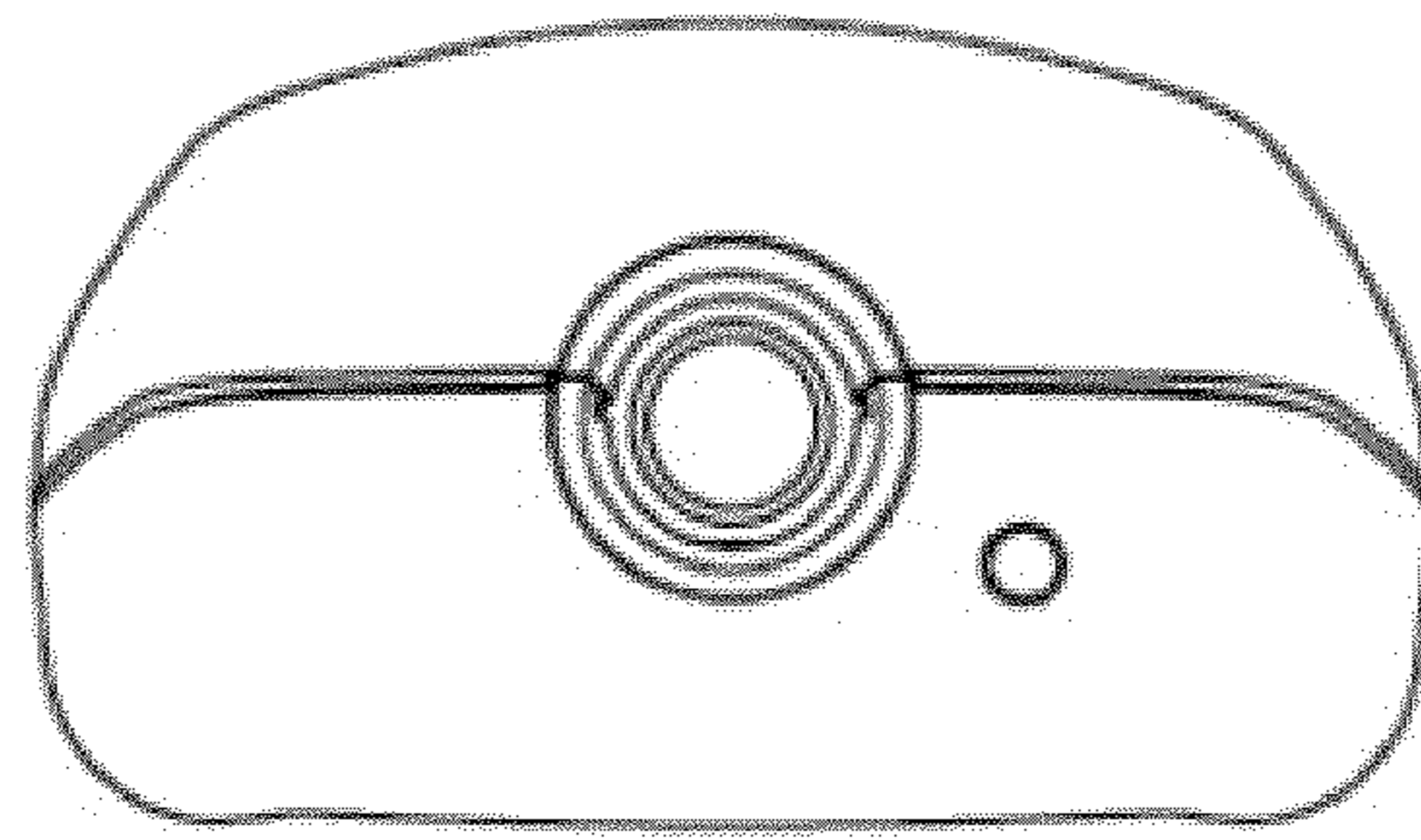


Fig. 4

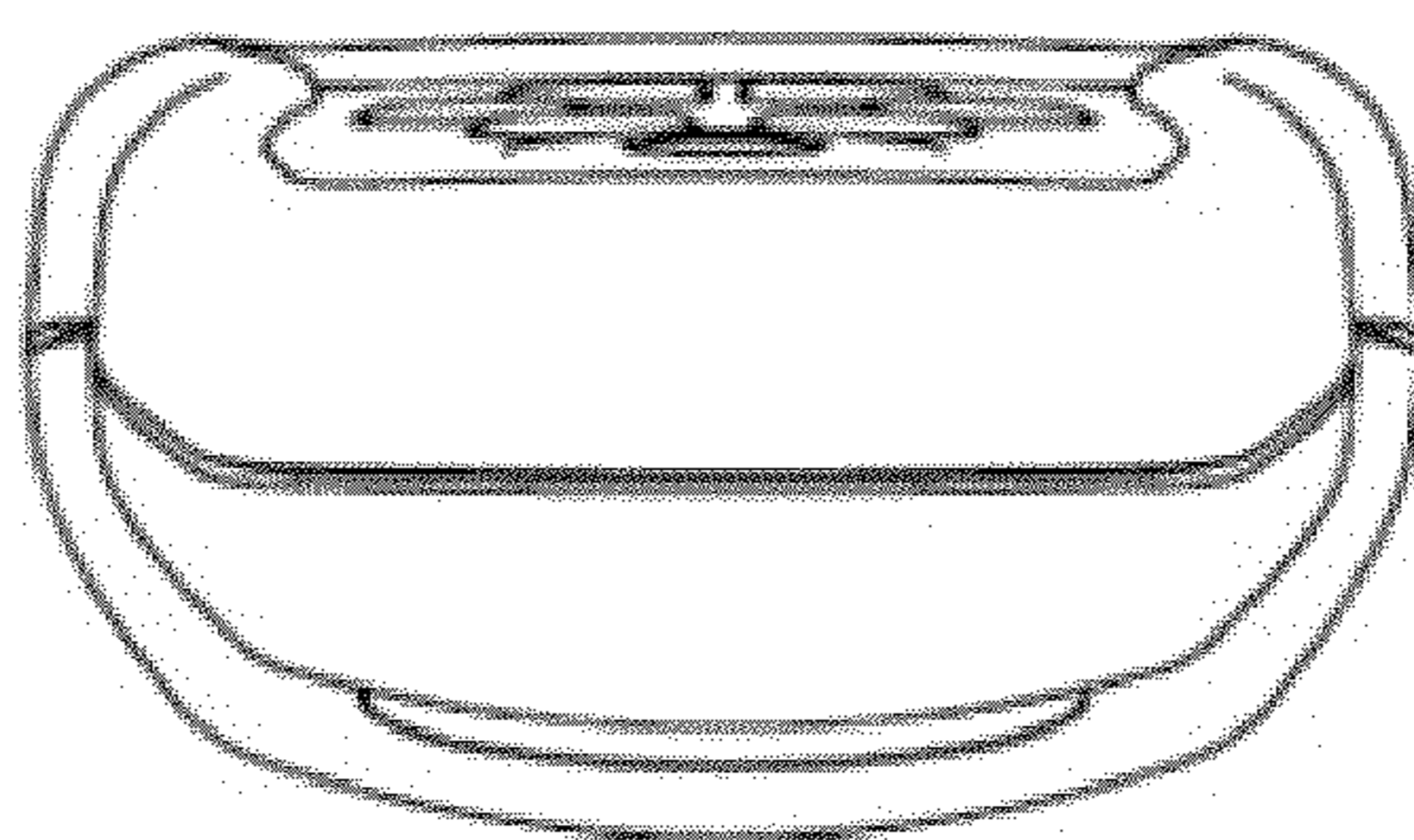


Fig. 5

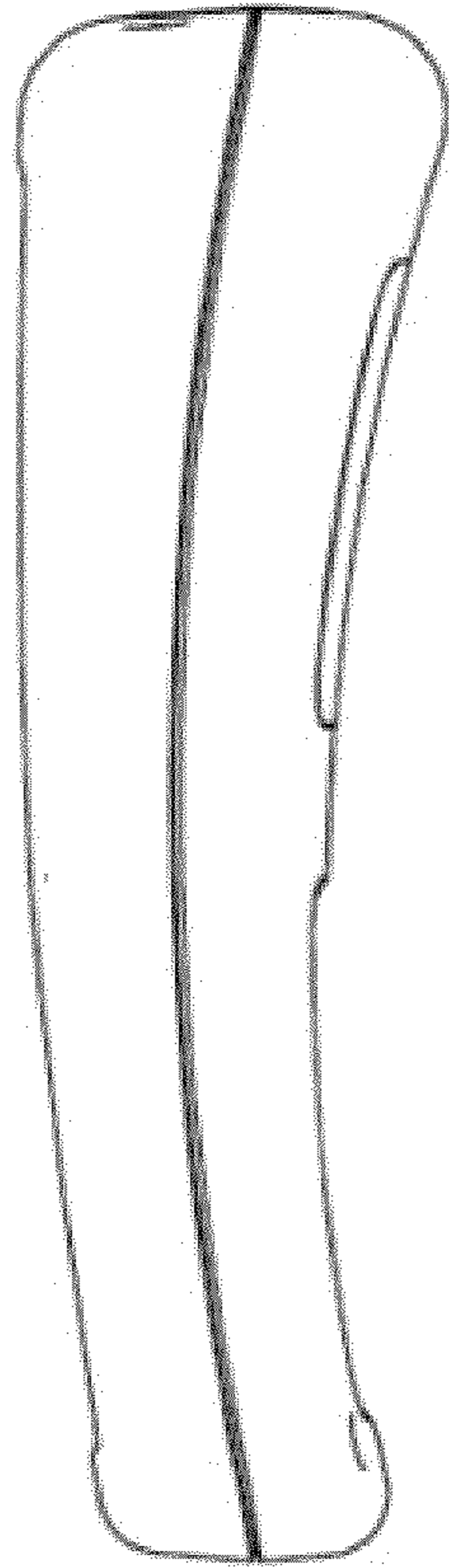


Fig. 6