



US00D717190S

(12) **United States Design Patent**  
**Jochumsen et al.**

(10) **Patent No.:** **US D717,190 S**

(45) **Date of Patent:** **\*\* Nov. 11, 2014**

(54) **RACK, COVER, CONNECTOR, AND HANDLE ASSEMBLY FOR A RACK-SUPPORTED MULTI-POINT ELECTRICAL PROBE HOLDER**

(71) Applicant: **Capres A/S**, Kgs. Lyngby (DK)

(72) Inventors: **Hans Henrik Jochumsen**, Allerod (DK); **Anders Jensen**, Allerod (DK); **Jannik Sadolin**, Bronshoj (DK); **Niels Torp Madsen**, Valby (DK); **Lars Norregaard**, Virum (DK); **Chaker Khalfaoui**, Bronshoj (DK); **Henrik Baekbo**, Bronshoj (DK); **Lauge Gammelgaard**, Copenhagen K (DK); **Peter Folmer Nielsen**, Farum (DK); **Hans Henrik Jankjaer**, Gentofte (DK)

(73) Assignee: **Capres A/S**, Lyngby (DK)

(\*\*) Term: **14 Years**

(21) Appl. No.: **29/456,062**

(22) Filed: **May 28, 2013**

(30) **Foreign Application Priority Data**

Nov. 27, 2012 (DK) ..... 2012 00133

(51) **LOC (10) Cl.** ..... **10-04**

(52) **U.S. Cl.**  
USPC ..... **D10/80**; D10/103

(58) **Field of Classification Search**  
CPC .... G01R 1/06783; G01R 27/08; G01R 27/14; G01R 27/0408; G01R 27/0483; G01R 27/0404; G01R 31/2648; G01R 31/2891; G01R 31/2867  
USPC ..... D8/354; D10/80, 94, 103; D13/173; D14/217; 324/72.5, 149, 545, 324/713-719, 754.03, 754.04, 754.5, 324/754.11, 754.09, 754.2, 755.01, 755.07, 324/756.01, 756.02, 757.01, 73.1

See application file for complete search history.

(56) **References Cited**

U.S. PATENT DOCUMENTS

D400,865 S \* 11/1998 Korhonen ..... D10/103  
7,151,368 B2 \* 12/2006 Joung et al. .... 324/757.01  
7,253,649 B1 \* 8/2007 Chen ..... 324/754.04  
7,898,275 B1 \* 3/2011 Arnold et al. .... 324/756.01

\* cited by examiner

*Primary Examiner* — Antoine D Davis

(74) *Attorney, Agent, or Firm* — Klein, O'Neill & Singh, LLP

(57) **CLAIM**

The ornamental design for a rack, cover, connector, and handle assembly for a rack-supported multi-point electrical probe holder, as shown.

**DESCRIPTION**

FIG. 1 is a perspective view, taken from the top, front, and left side, of a rack, cover, connector, and handle assembly for a rack-supported multi-point electrical probe holder in accordance with our new design;

FIG. 2 is a perspective view of the rack, cover, connector, and handle assembly for a rack-supported multi-point electrical probe holder shown in FIG. 1, taken from the bottom, front, and left side;

FIG. 3 is a bottom plan view of the rack, cover, connector, and handle assembly for a rack-supported multi-point electrical probe holder shown in FIG. 1;

FIG. 4 is a left side elevation view of the rack, cover, connector, and handle assembly for a rack-supported multi-point electrical probe holder shown in FIG. 1;

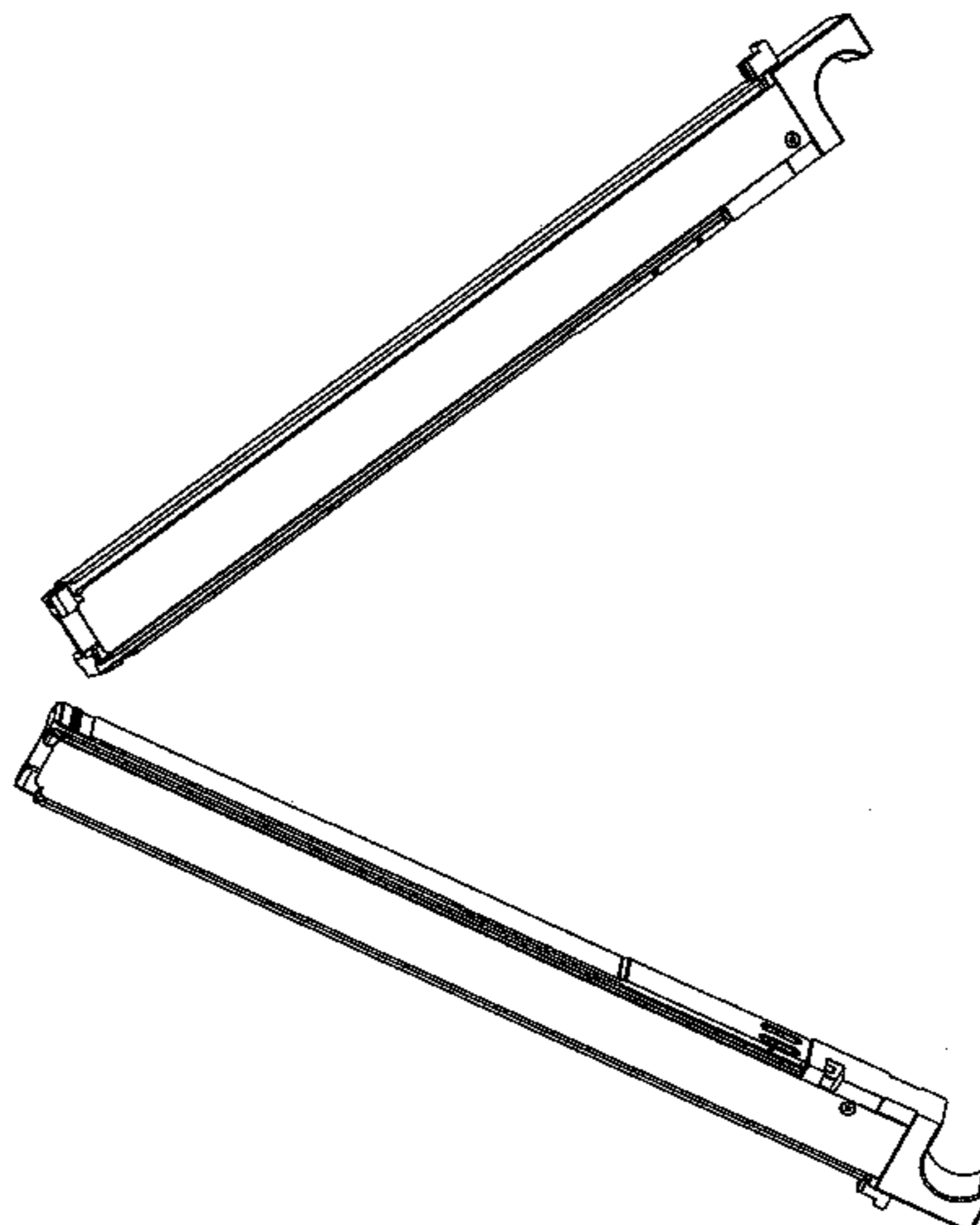
FIG. 5 is a right side elevation view of the rack, cover, connector, and handle assembly for a rack-supported multi-point electrical probe holder shown in FIG. 1;

FIG. 6 is a top plan view of the rack, cover, connector, and handle assembly for a rack-supported multi-point electrical probe holder shown in FIG. 1;

FIG. 7 is a rear elevation view of the rack, cover, connector, and handle assembly for a rack-supported multi-point electrical probe holder shown in FIG. 1; and,

FIG. 8 is a front elevation view of the rack, cover, connector, and handle assembly for a rack-supported multi-point electrical probe holder shown in FIG. 1.

**1 Claim, 8 Drawing Sheets**



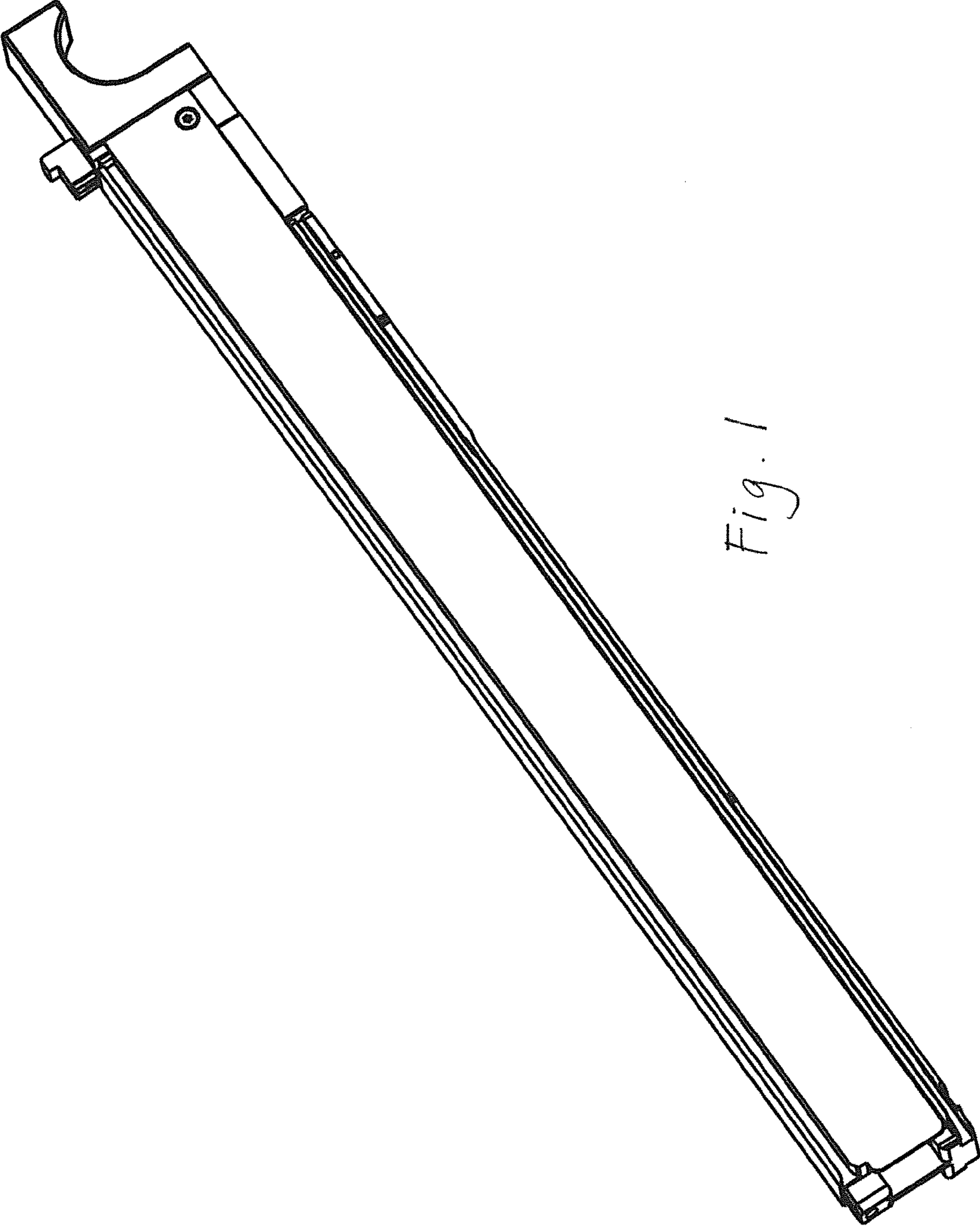


Fig. 1

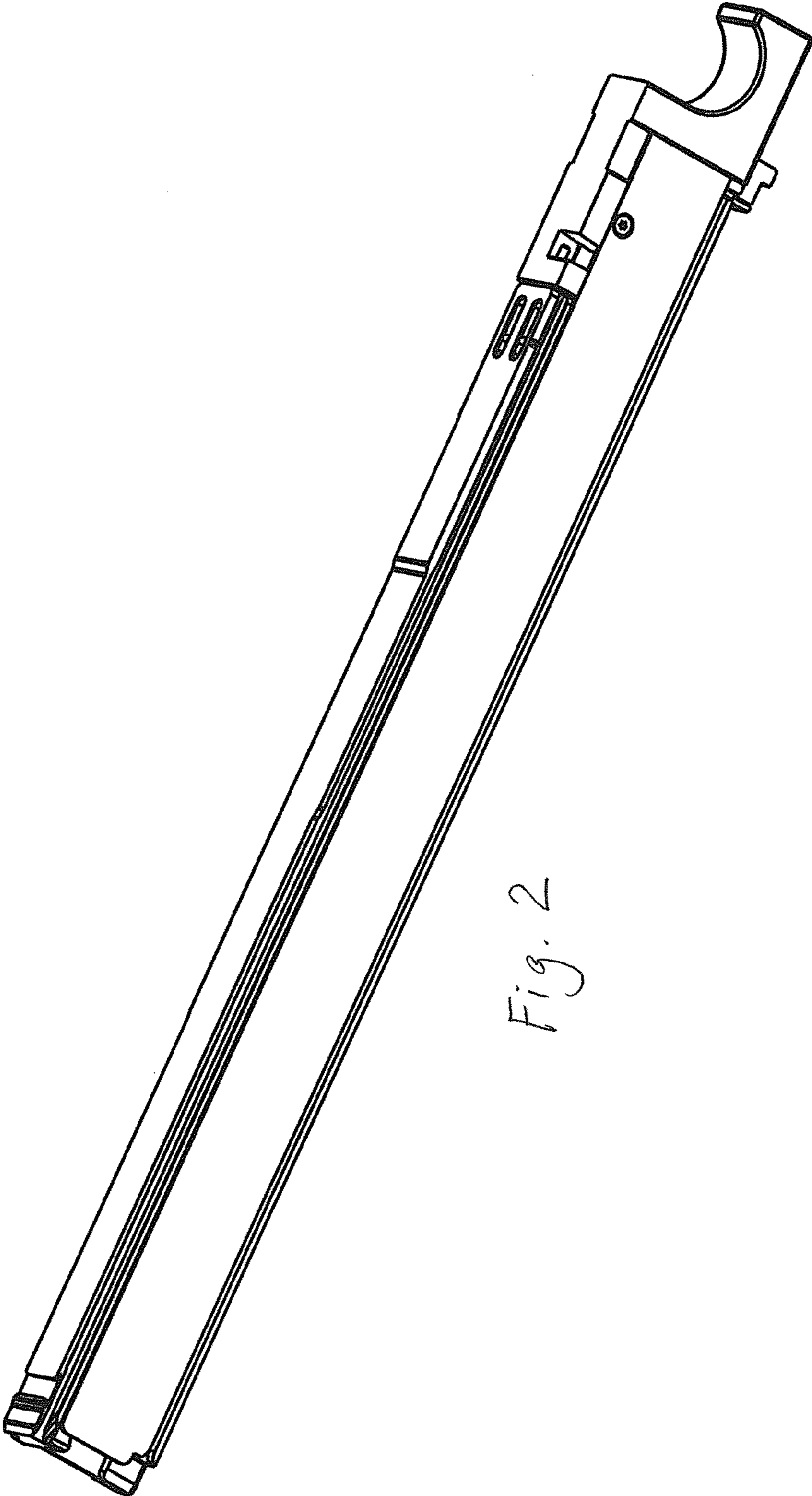


Fig. 2

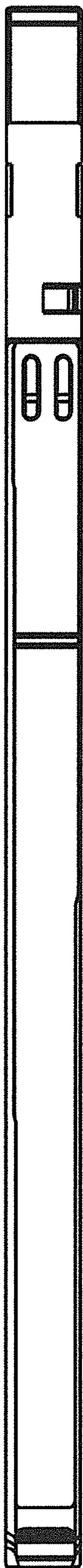


Fig. 3

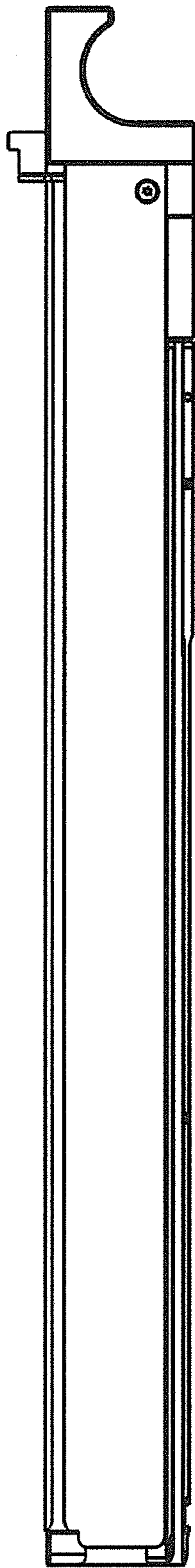


Fig. 4



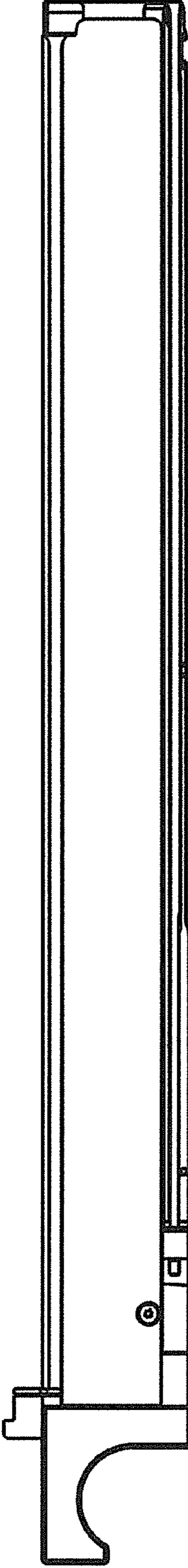


Fig. 5



*Fig. 6*



*Fig. 7*



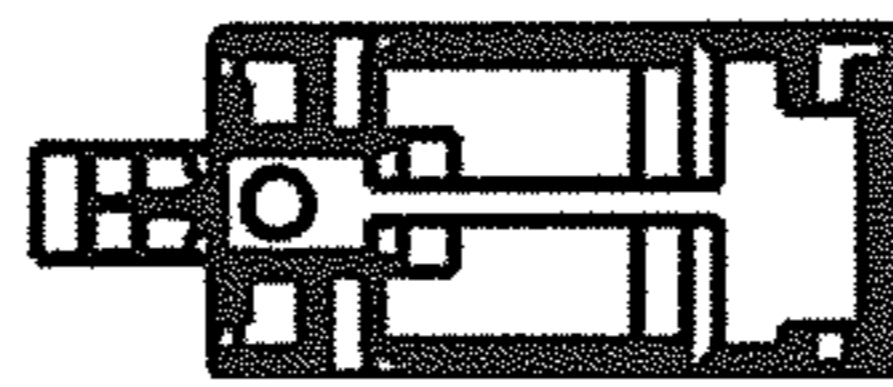


Fig. 8