



US00D717189S

(12) **United States Design Patent**
Jochumsen et al.

(10) **Patent No.:** **US D717,189 S**
(45) **Date of Patent:** **** Nov. 11, 2014**

(54) **COVER, CONNECTOR, AND HANDLE ASSEMBLY ATTACHABLE TO A RACK FOR A RACK-SUPPORTED MULTI-POINT ELECTRICAL PROBE HOLDER**

(71) Applicant: **Capres A/S**, Kgs. Lyngby (DK)

(72) Inventors: **Hans Henrik Jochumsen**, Allerod (DK); **Anders Jensen**, Allerod (DK); **Jannik Sadolin**, Bronshoj (DK); **Niels Torp Madsen**, Valby (DK); **Lars Norregaard**, Virum (DK); **Chaker Khalfaoui**, Bronshoj (DK); **Henrik Baekbo**, Bronshoj (DK); **Lauge Gammelgaard**, Copenhagen K (DK); **Peter Folmer Nielsen**, Farum (DK); **Hans Henrik Jankjaer**, Gentofte (DK)

(73) Assignee: **Capres A/S**, Lyngby (DK)

(**) Term: **14 Years**

(21) Appl. No.: **29/456,061**

(22) Filed: **May 28, 2013**

(30) **Foreign Application Priority Data**

Nov. 27, 2012 (DK) DA 2012 00133

(51) **LOC (10) Cl.** **10-04**

(52) **U.S. Cl.**
USPC **D10/80; D10/103**

(58) **Field of Classification Search**
CPC G01R 1/06783; G01R 27/08; G01R 27/14; G01R 27/0408; G01R 27/0483; G01R 27/0404; G01R 31/2648; G01R 31/2891; G01R 31/2867
USPC D8/354; D10/80, 94, 103; D13/173; D14/217; 324/72.5, 149, 545, 324/713-719, 754.03, 754.04, 754.5, 324/754.11, 754.09, 754.2, 755.01, 755.07, 324/756.01, 756.02, 757.01, 73.1
See application file for complete search history.

(56) **References Cited**

U.S. PATENT DOCUMENTS

D400,865 S * 11/1998 Korhonen D10/103
7,151,368 B2 * 12/2006 Joung et al. 324/757.01
7,253,649 B1 * 8/2007 Chen 324/754.04
7,898,275 B1 * 3/2011 Arnold et al. 324/756.01

* cited by examiner

Primary Examiner — Antoine D Davis

(74) *Attorney, Agent, or Firm* — Klein, O'Neill & Singh, LLP

(57) **CLAIM**

The ornamental design for a cover, connector, and handle assembly attachable to a rack for a rack-supported multi-point electrical probe holder, as shown.

DESCRIPTION

FIG. 1 is a perspective view, taken from the top, front, and left side, of a cover, connector, and handle assembly attachable to a rack for a rack-supported multi-point electrical probe holder in accordance with our new design;

FIG. 2 is a perspective view of the cover, connector, and handle assembly attachable to a rack for a rack-supported multi-point electrical probe holder shown in FIG. 1, taken from the bottom, rear, and right side;

FIG. 3 is a top plan view of the cover, connector, and handle assembly attachable to a rack for a rack-supported multi-point electrical probe holder shown in FIG. 1;

FIG. 4 is a left side elevation view of the cover, connector, and handle assembly attachable to a rack for a rack-supported multi-point electrical probe holder shown in FIG. 1;

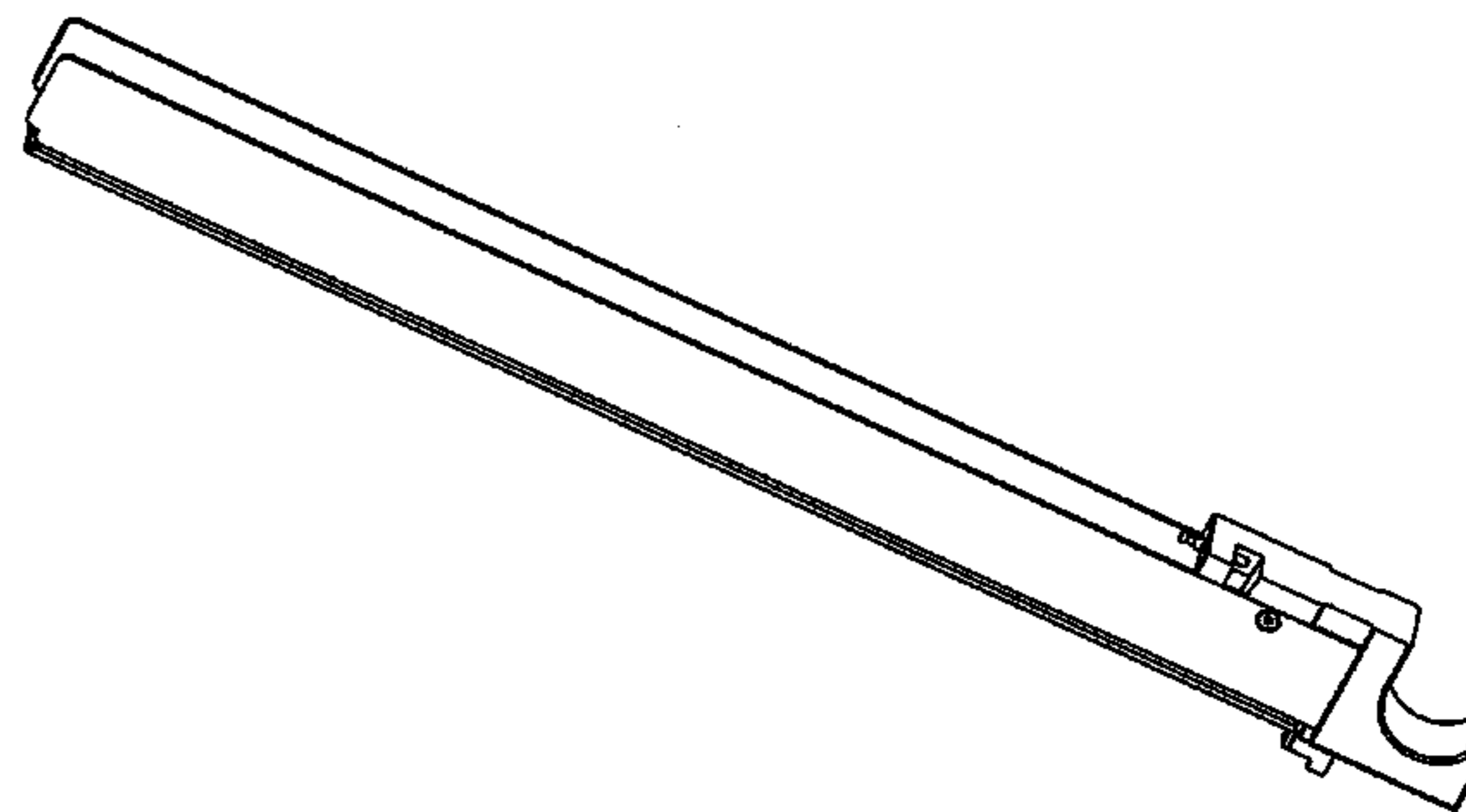
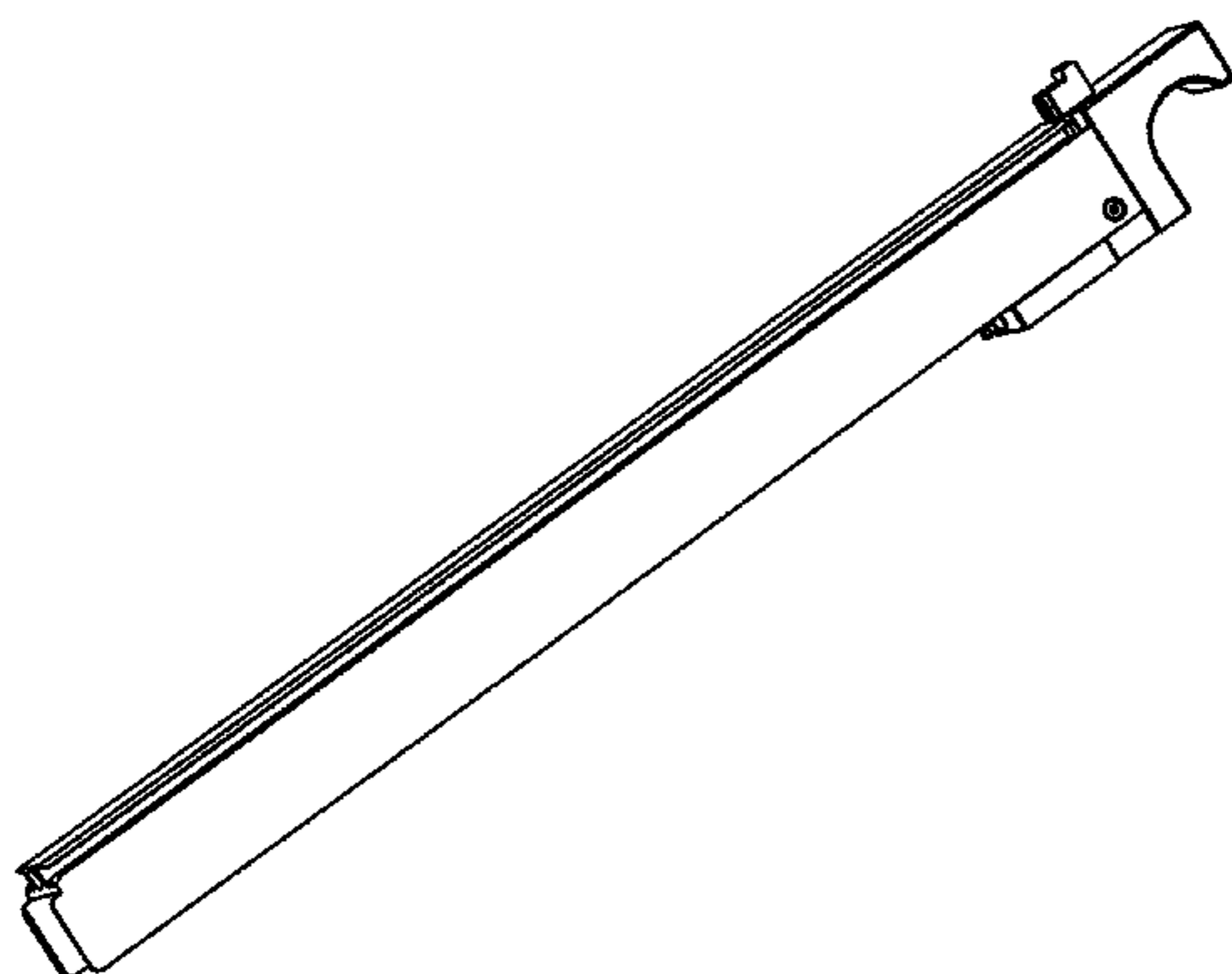
FIG. 5 is a right side elevation view of the cover, connector, and handle assembly attachable to a rack for a rack-supported multi-point electrical probe holder shown in FIG. 1;

FIG. 6 is a bottom plan view of the cover, connector, and handle assembly attachable to a rack for a rack-supported multi-point electrical probe holder shown in FIG. 1;

FIG. 7 is a rear elevation view of the cover, connector, and handle assembly attachable to a rack for a rack-supported multi-point electrical probe holder shown in FIG. 1; and,

FIG. 8 is a front elevation view of the cover, connector, and handle assembly attachable to a rack for a rack-supported multi-point electrical probe holder shown in FIG. 1.

1 Claim, 8 Drawing Sheets



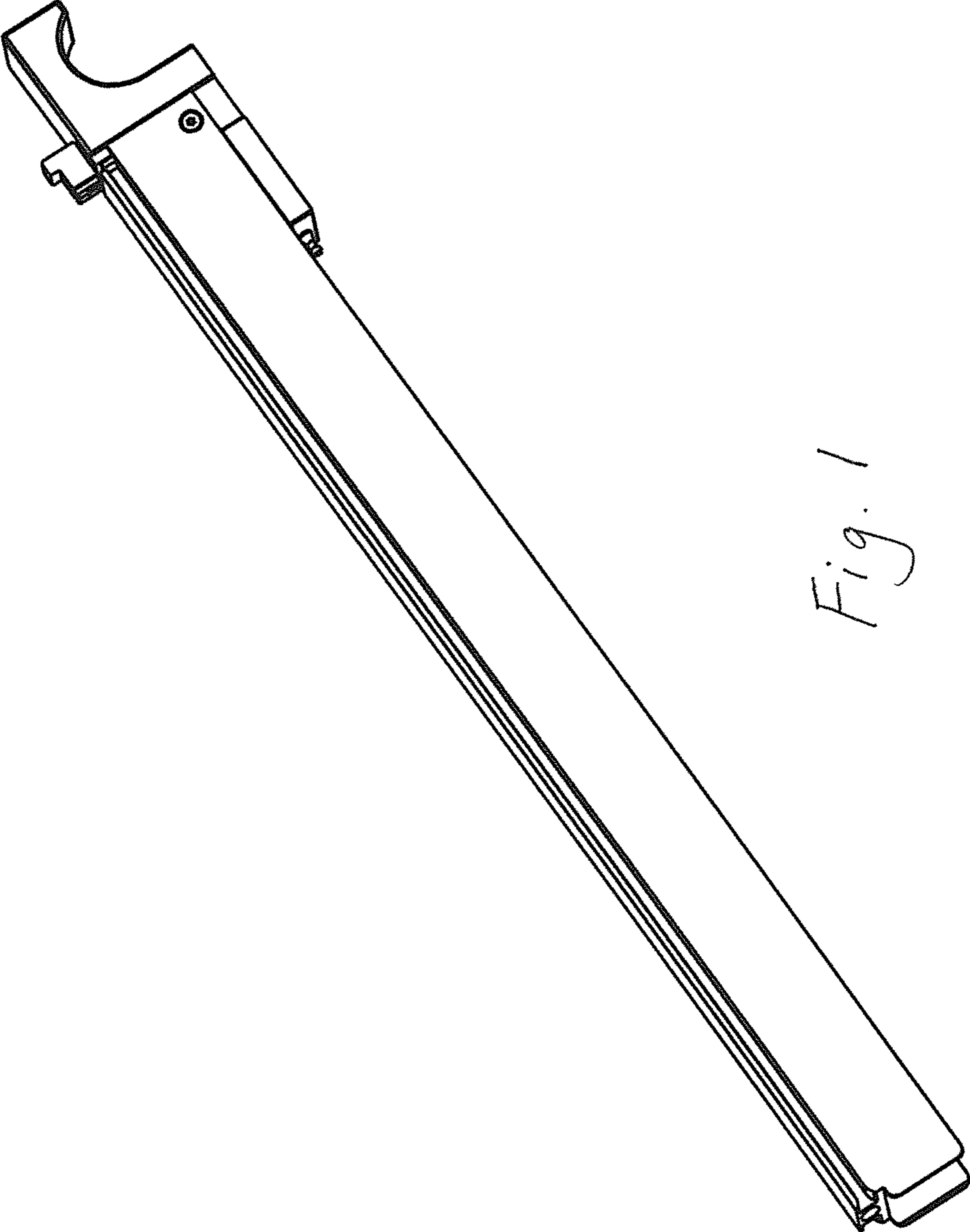


Fig. 1

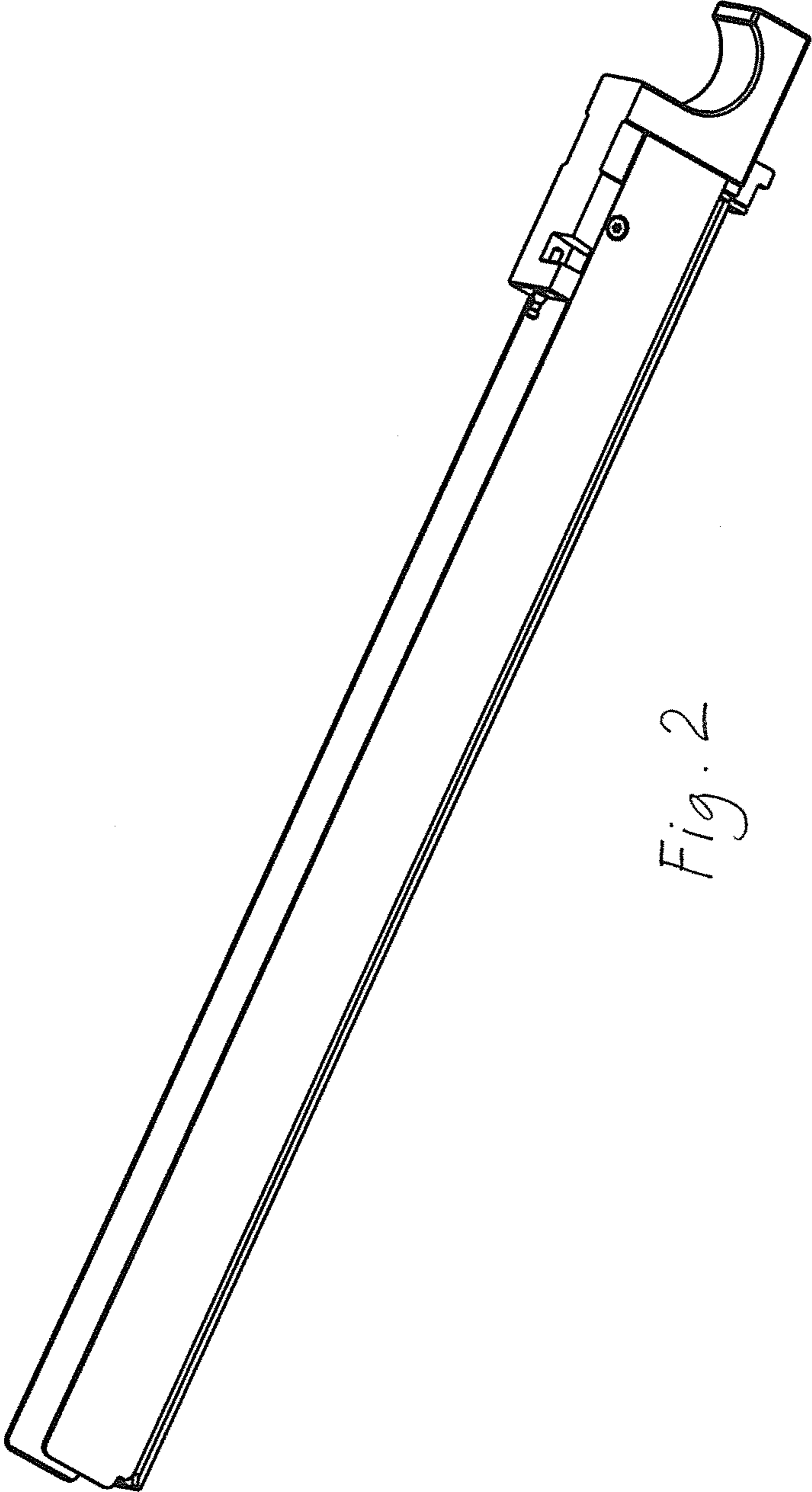


Fig. 2



Fig. 3

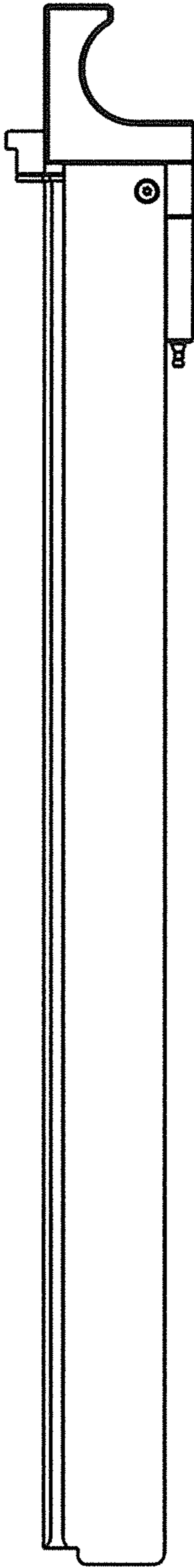


Fig. 4

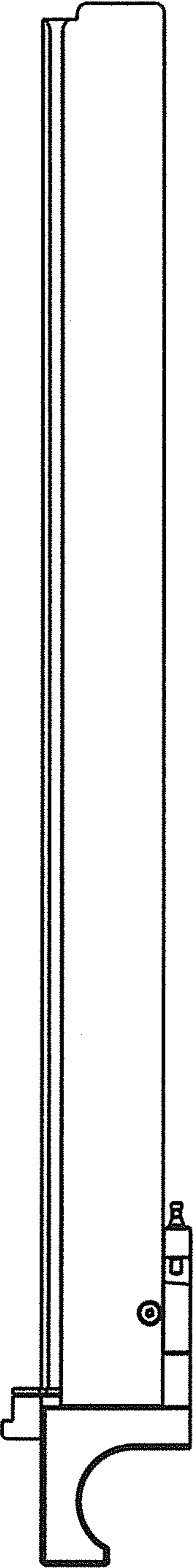


Fig. 5



Fig. 6

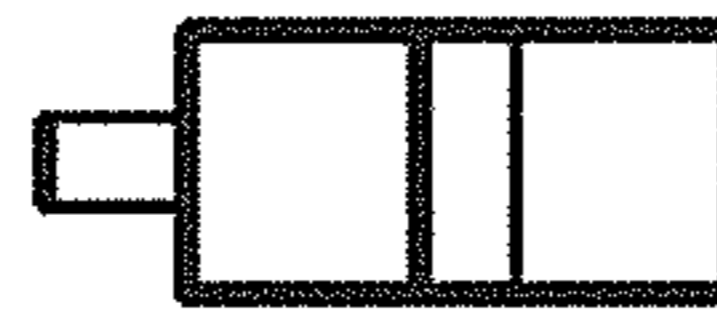


Fig. 7

Fig. 8

