



US00D717186S

(12) **United States Design Patent**
Zhang et al.

(10) **Patent No.:** **US D717,186 S**

(45) **Date of Patent:** **** Nov. 11, 2014**

(54) **DIGITAL DISPLAY OF DIGITAL READOUT**

(56) **References Cited**

(71) Applicants: **Yanchen Zhang**, San Clemente, CA
(US); **Meng Zhang**, San Clemente, CA
(US)

U.S. PATENT DOCUMENTS

D344,240 S * 2/1994 Schnyder D10/73
D412,675 S * 8/1999 Adler D10/73

(72) Inventors: **Yanchen Zhang**, San Clemente, CA
(US); **Meng Zhang**, San Clemente, CA
(US)

* cited by examiner

Primary Examiner — Antoine D Davis
(74) *Attorney, Agent, or Firm* — Let Z. Kwan, Esq.

(**) Term: **14 Years**

(57) **CLAIM**
The ornamental design for a digital display of digital readout,
as shown and described.

(21) Appl. No.: **29/459,478**

DESCRIPTION

(22) Filed: **Jun. 29, 2013**

FIG. 1 is a top, front, left perspective view of a digital display of digital readout showing our new design;
FIG. 2 is a front side view thereof;
FIG. 3 is a left side view thereof;
FIG. 4 is a right side view thereof;
FIG. 5 is a back side view thereof;
FIG. 6 is a head on view thereof; and,
FIG. 7 is a rear end view thereof.

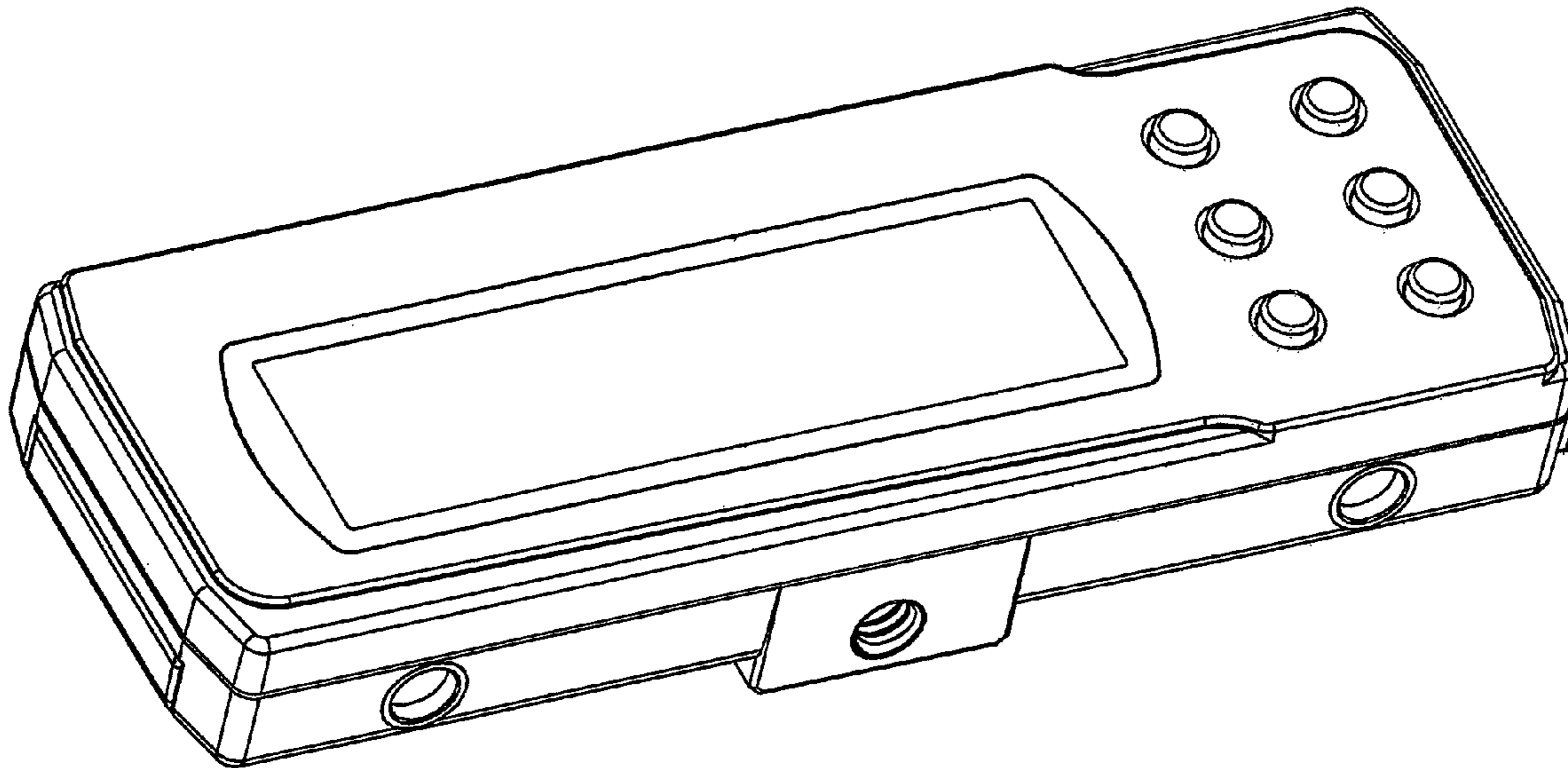
(51) **LOC (10) Cl.** **10-04**

(52) **U.S. Cl.**
USPC **D10/74**

(58) **Field of Classification Search**
CPC G01B 3/20; G01B 3/205; G01B 5/24;
G01B 3/18; G01B 3/008
USPC D10/73, 74; 33/783-832, DIG. 12
See application file for complete search history.

The broken line showing of structural features is included for the purpose of illustrating non-claimed subject matter and forms no part of the claimed design.

1 Claim, 4 Drawing Sheets



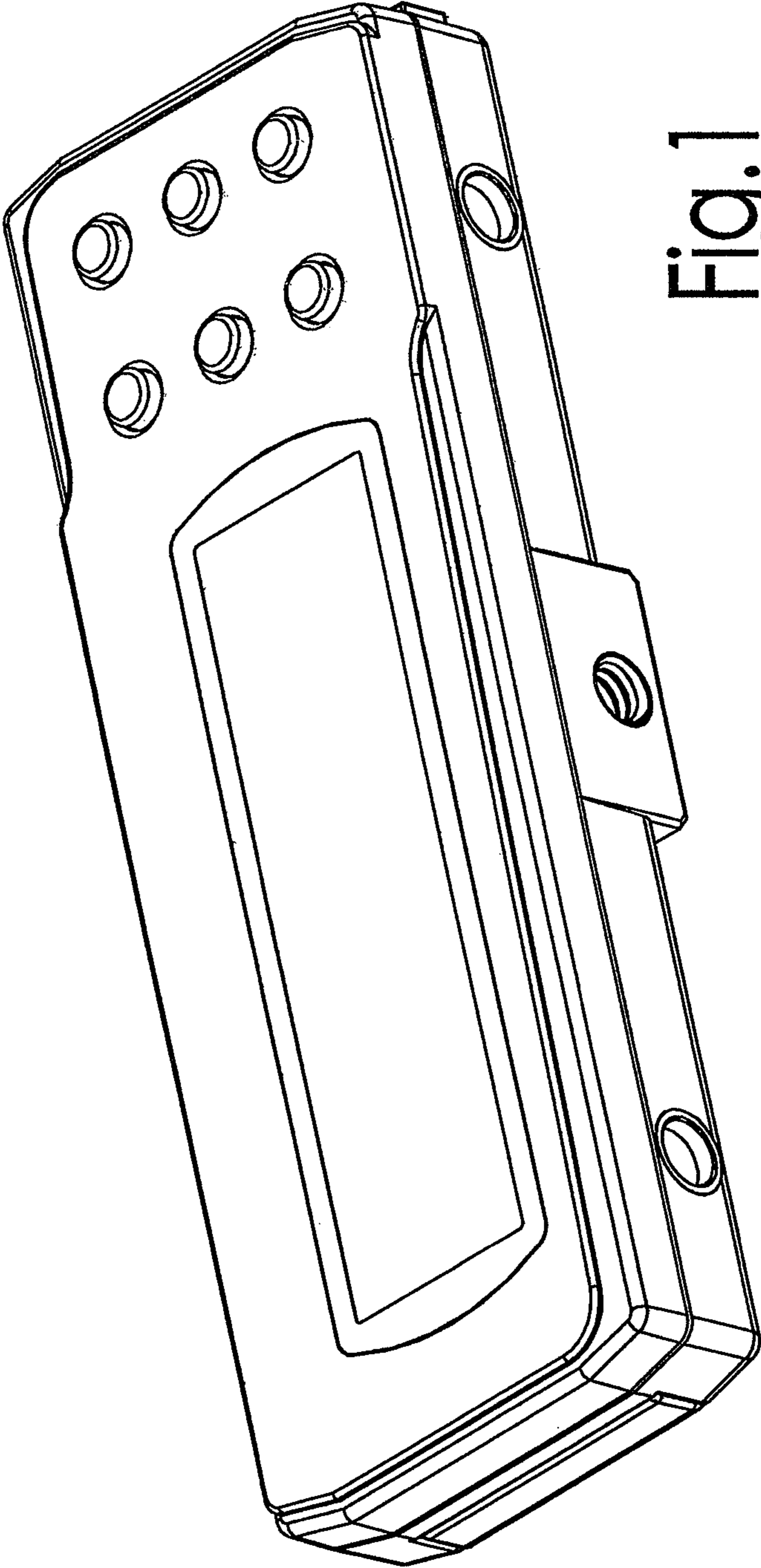


Fig.1

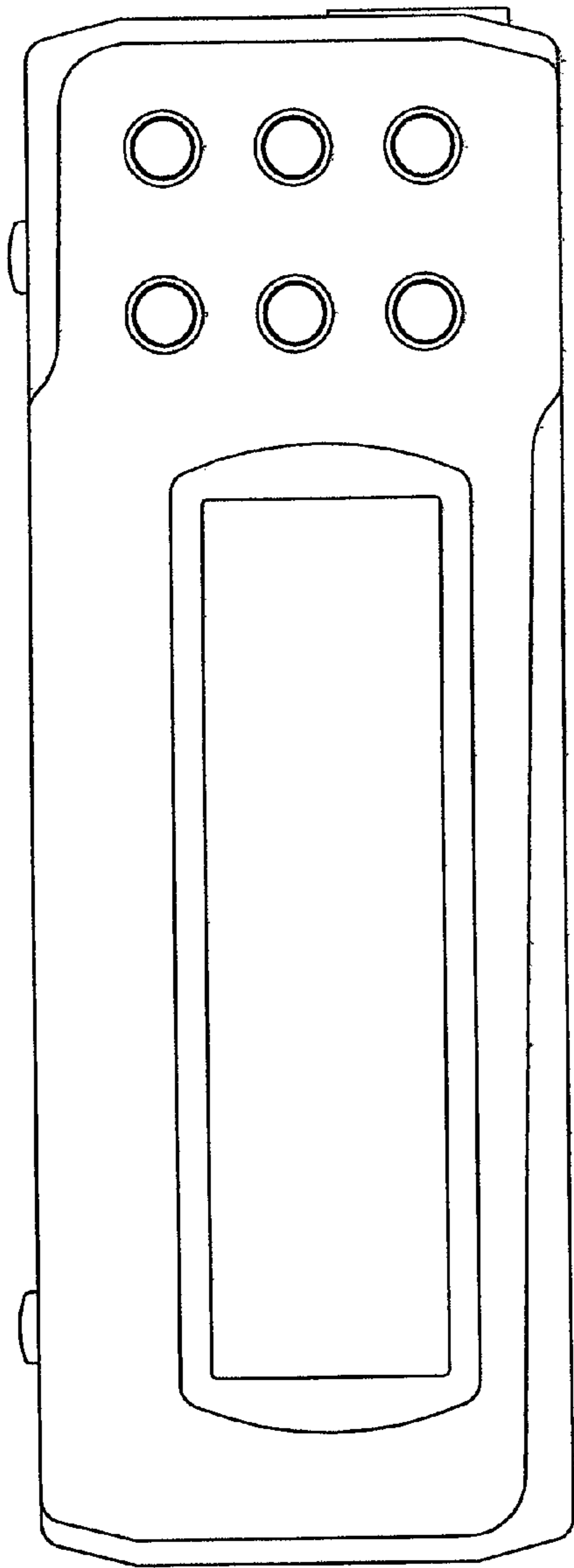


Fig.2

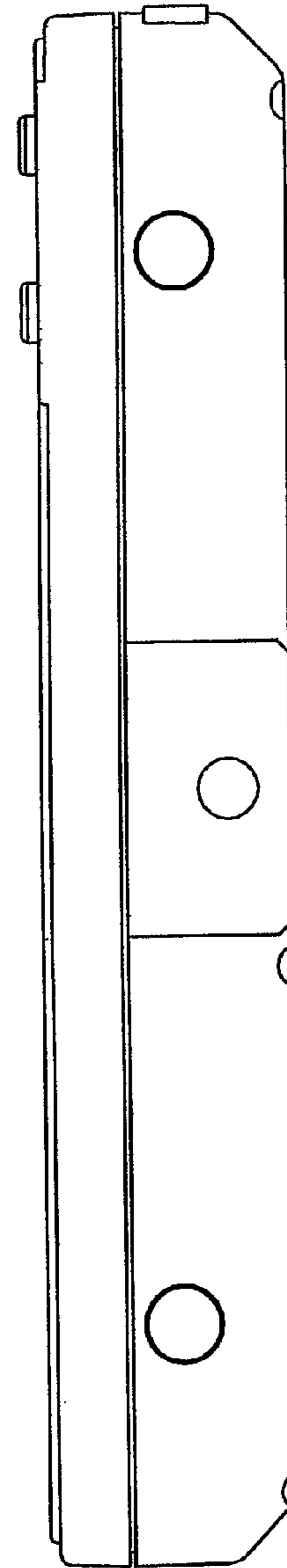


Fig.3

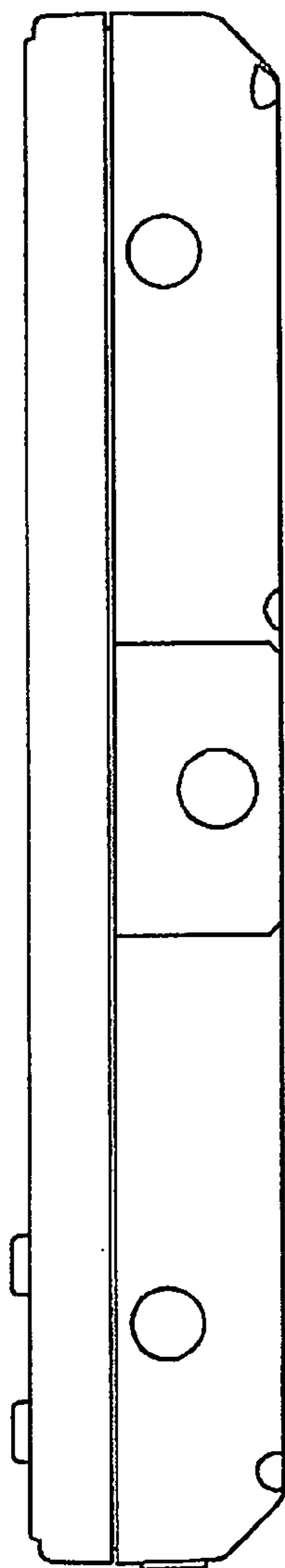


Fig. 4

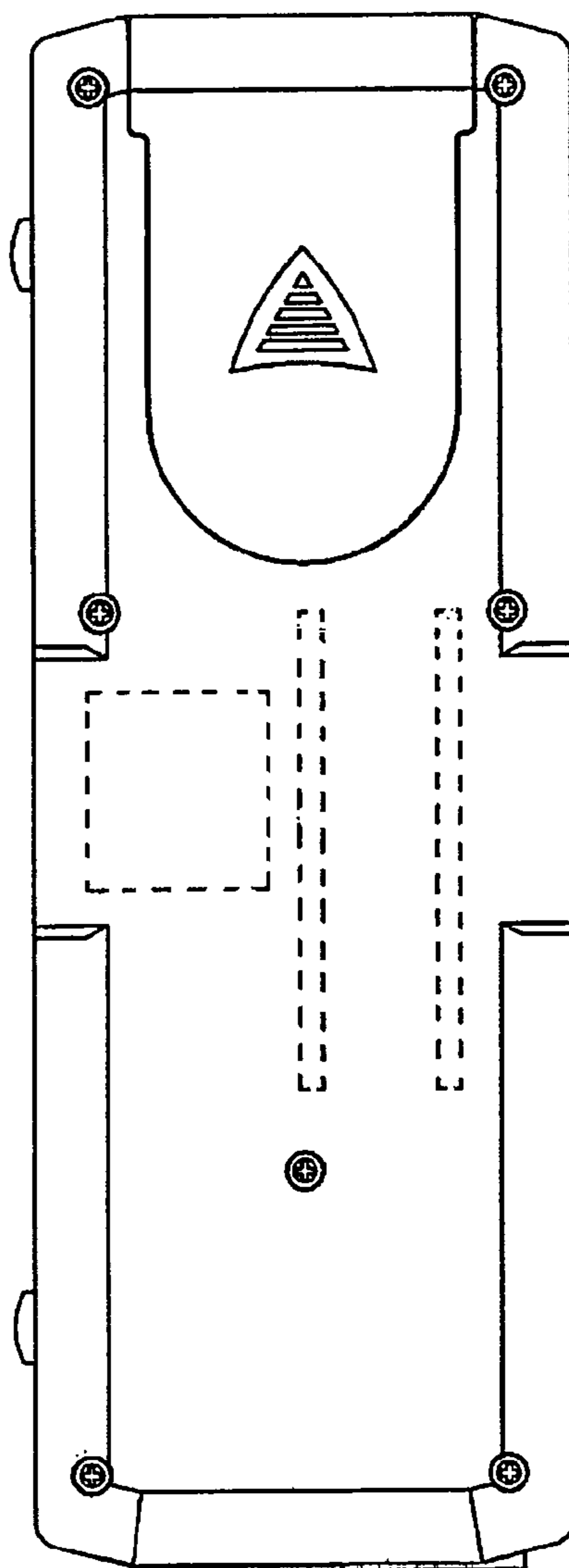


Fig. 5

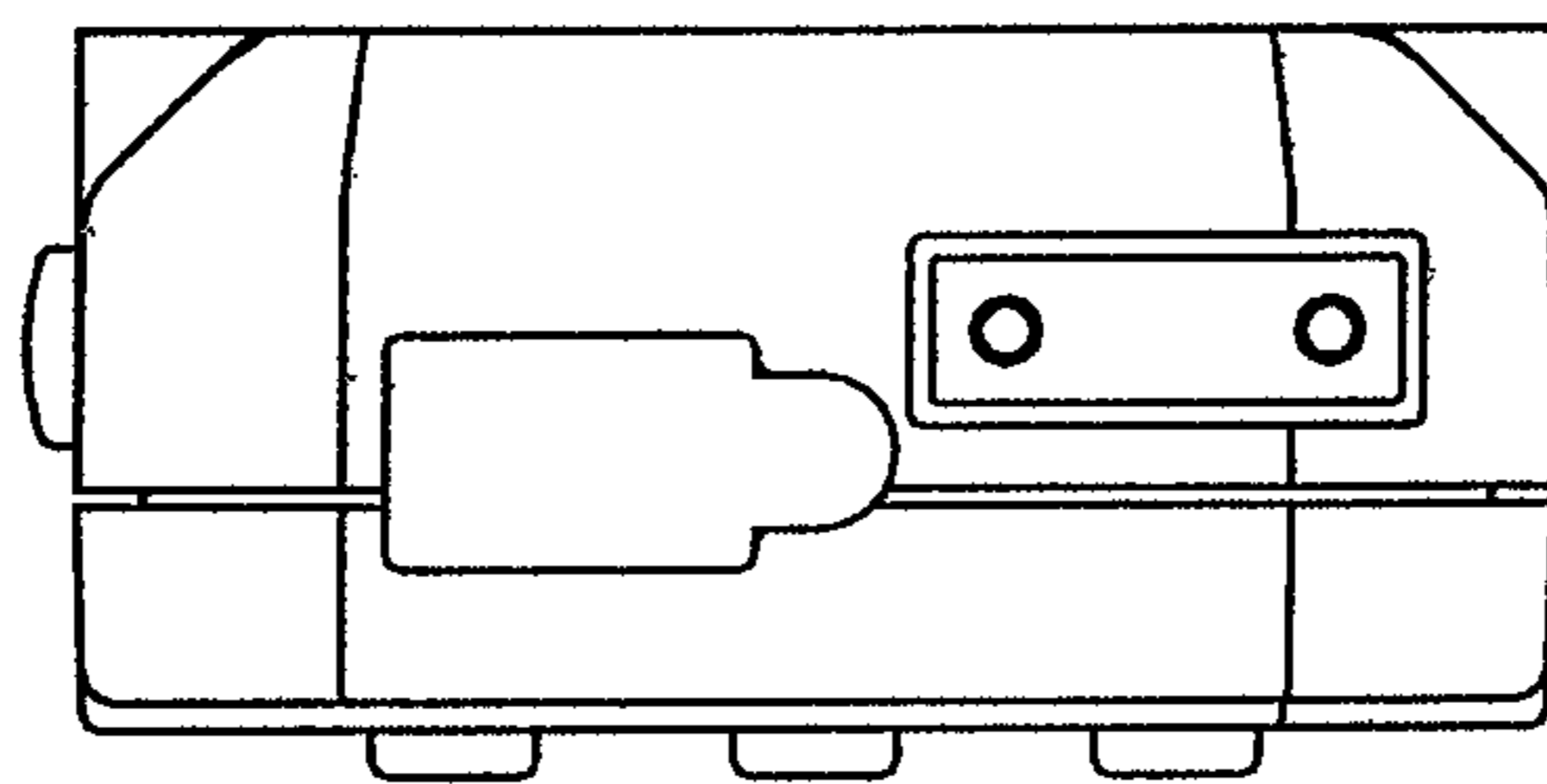


Fig. 6

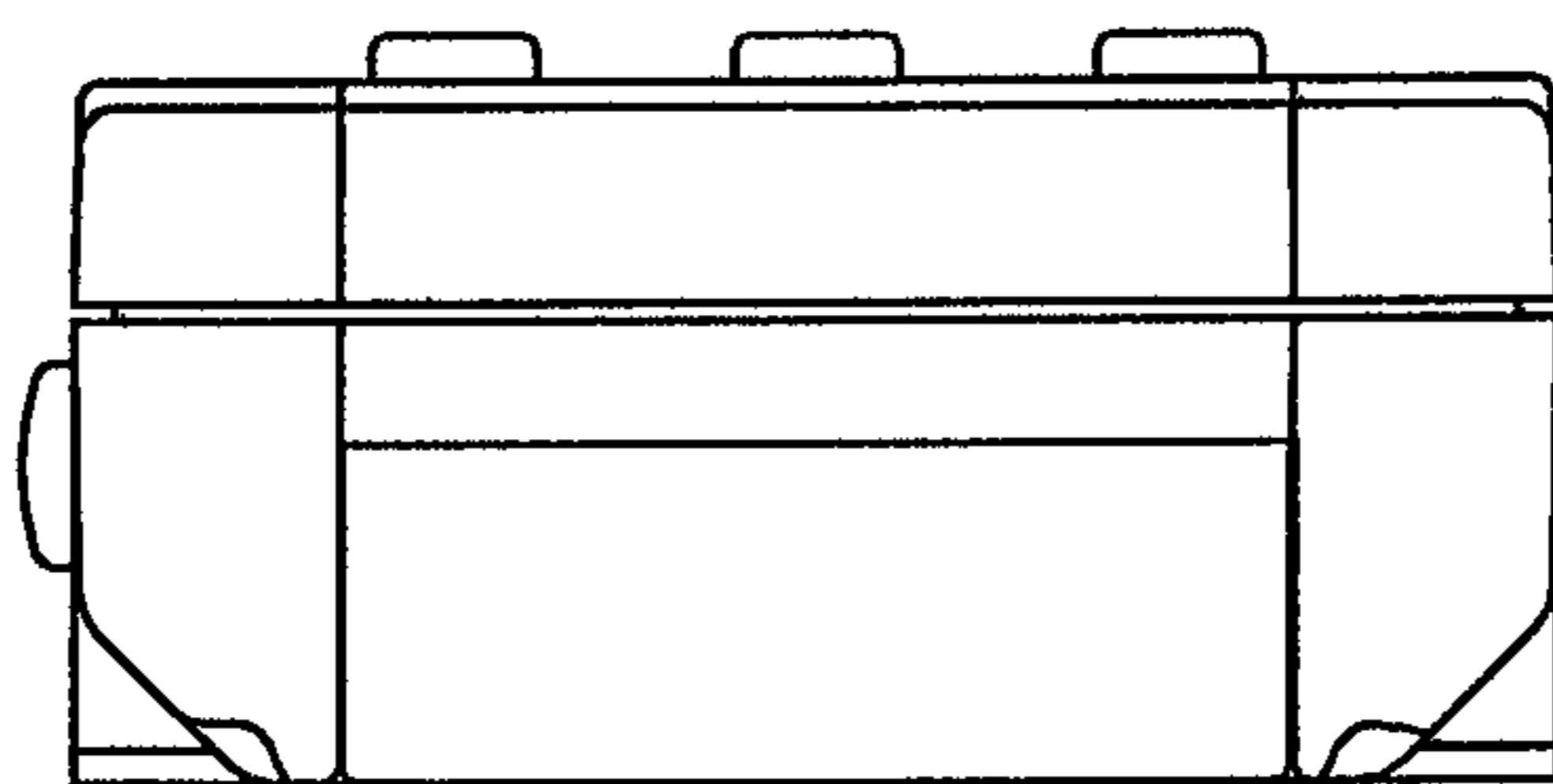


Fig. 7