



US00D717185S

(12) **United States Design Patent**
Forsberg et al.

(10) **Patent No.:** **US D717,185 S**

(45) **Date of Patent:** **** Nov. 11, 2014**

(54) **SURVEY SYSTEM**

(71) Applicants: **Karl Forsberg**, Arsta (SE); **Niklas Briheim**, Stockholm (SE); **Kristoffer Svedulf**, Skogas (SE); **Robin Grieves**, Stockholm (SE); **Angela Vlasaty Peterson**, Broomfield, CO (US)

(72) Inventors: **Karl Forsberg**, Arsta (SE); **Niklas Briheim**, Stockholm (SE); **Kristoffer Svedulf**, Skogas (SE); **Robin Grieves**, Stockholm (SE); **Angela Vlasaty Peterson**, Broomfield, CO (US)

(73) Assignee: **Trimble Navigation Limited**, Westminster, CO (US)

(**) Term: **14 Years**

(21) Appl. No.: **29/449,839**

(22) Filed: **Mar. 15, 2013**

(51) **LOC (10) Cl.** **10-04**

(52) **U.S. Cl.**
USPC **D10/66**

(58) **Field of Classification Search**

CPC G01C 15/00; G01C 15/06; G01C 15/002;
G01C 21/16; G01C 21/165; G01C 25/00;
G01S 19/49; G01S 19/51; G01S 5/12; G01S
5/16

USPC D10/78, 66; 33/1 CC, 290-294, 296,
33/228, 299; 342/357.2, 357.23, 357.24,
342/357.25, 463-465; 356/4.01, 139.3,
356/151, 152.1-152.3, 141.2, 147, 222,
356/601, 602, 9, 905; 702/94, 95, 150, 153

See application file for complete search history.

(56) **References Cited**

U.S. PATENT DOCUMENTS

5,222,708 A * 6/1993 McLellan 248/345.1
5,957,717 A * 9/1999 Monsef et al. 439/339

6,628,308 B1 * 9/2003 Greenberg et al. 715/764
D497,113 S * 10/2004 Kawamura D10/66
7,111,406 B2 * 9/2006 Sergyeyenko et al. 33/291
7,207,118 B2 * 4/2007 Watters et al. 33/290
8,230,609 B1 * 7/2012 Sanders et al. 33/293
8,336,217 B2 * 12/2012 Yi et al. 33/286
8,416,130 B2 * 4/2013 Scherzinger 342/357.23

* cited by examiner

Primary Examiner — Antoine D Davis

(74) *Attorney, Agent, or Firm* — Faegre Baker Daniels LLP

(57) **CLAIM**

The ornamental design for a survey system, as shown and described.

DESCRIPTION

FIG. 1 is a front perspective view of a survey system including a pole of indeterminate length;

FIG. 2 is a front view thereof;

FIG. 3 is a back view thereof;

FIG. 4 is a side view thereof;

FIG. 5 is an opposite side view thereof;

FIG. 6 is an enlarged top view thereof;

FIG. 7 is an enlarged bottom view thereof;

FIG. 8 is a front perspective view of an exemplary survey system showing a pole of exemplary length.

FIG. 9 is a front view thereof;

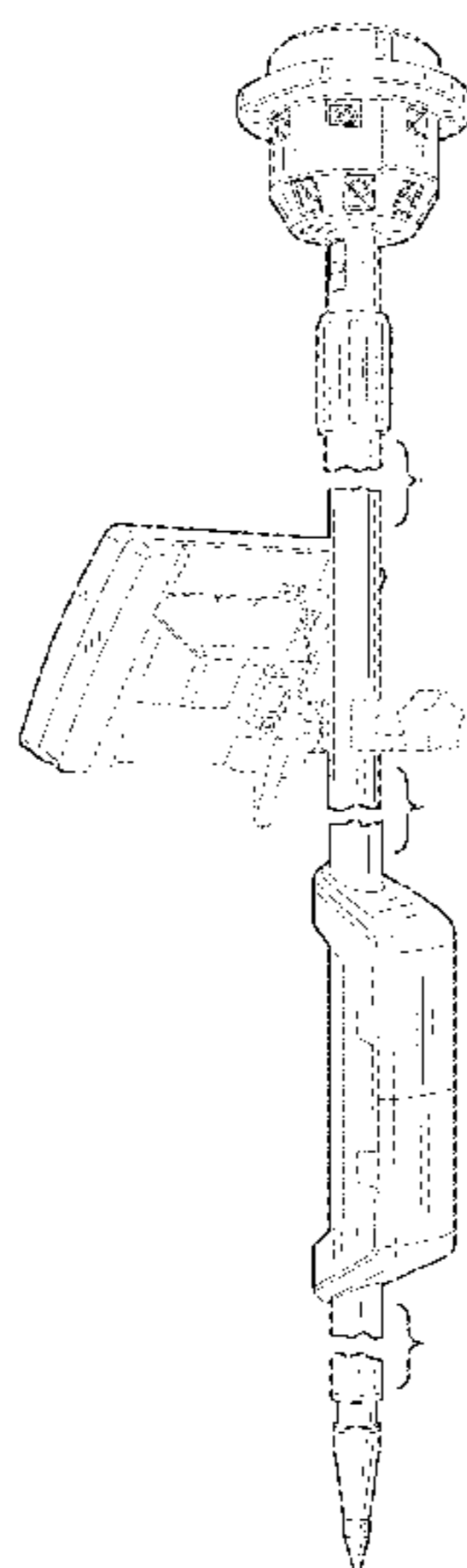
FIG. 10 is a back view thereof;

FIG. 11 is a side view thereof; and,

FIG. 12 is an opposite side view thereof.

Particular features of the survey system shown with broken lines form no part of the claimed design. The claimed design includes a pole of indeterminate length, as shown in FIGS. 1-7. Thus, the precise length of the pole is not claimed. FIGS. 8-12 are provided to show an exemplary system within the scope of the claimed design that has a pole with a particular length. The claimed design is not limited to that pole length or the particular component spacing shown in FIGS. 8-12.

1 Claim, 7 Drawing Sheets



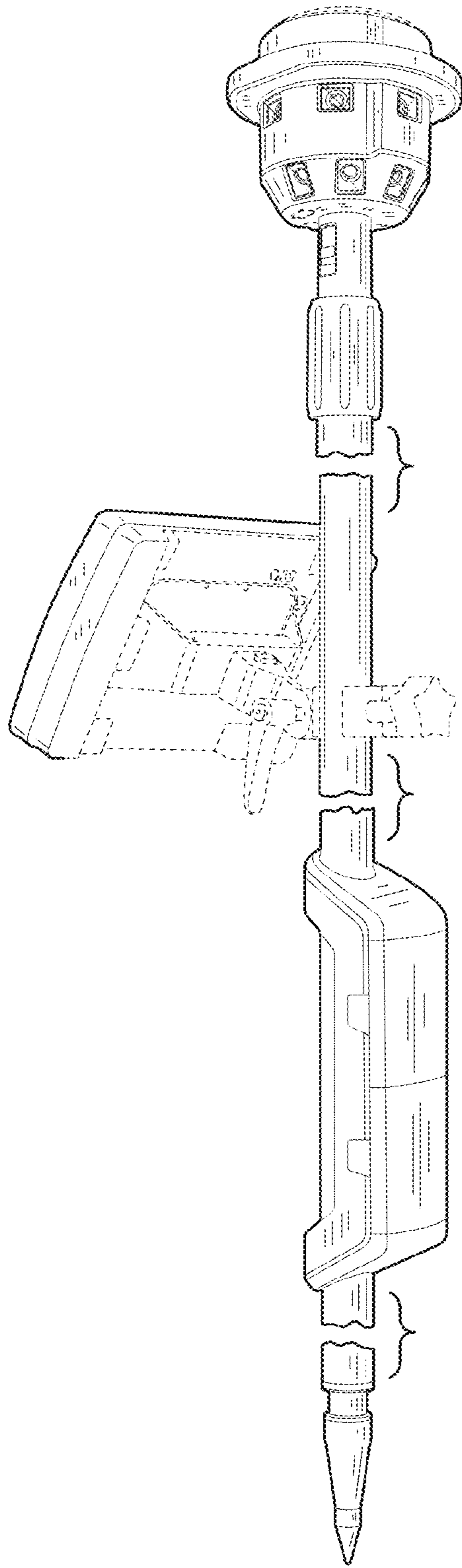


FIG. 1

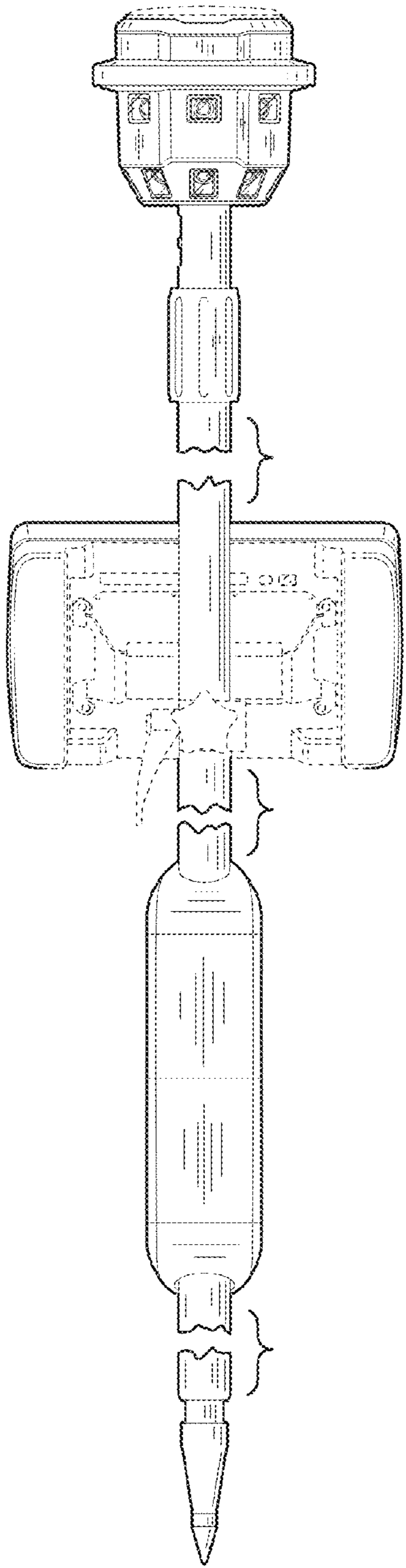


FIG. 2

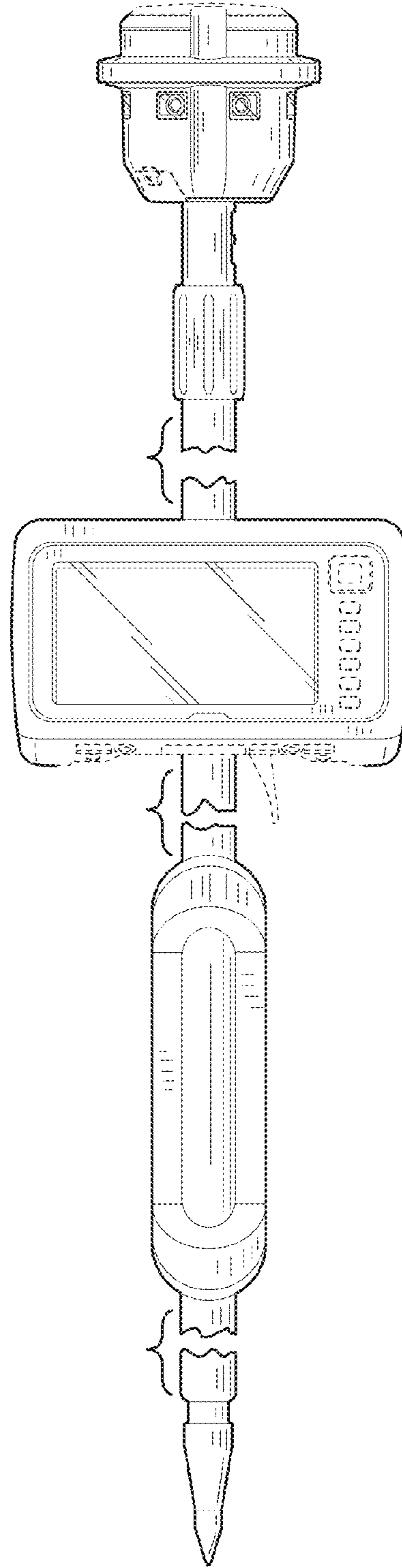


FIG. 3

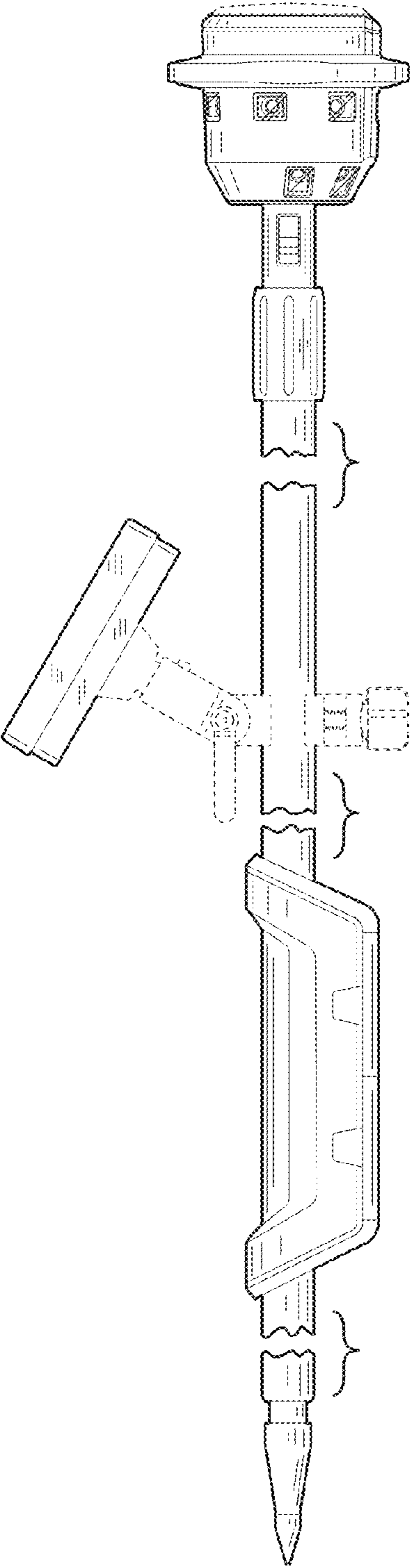


FIG. 4

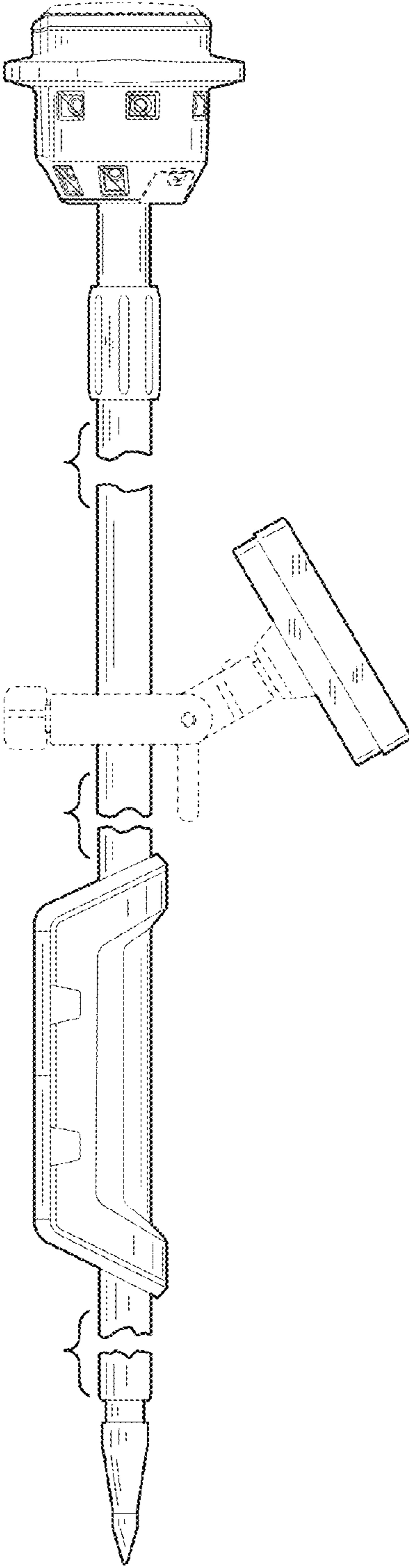


FIG. 5

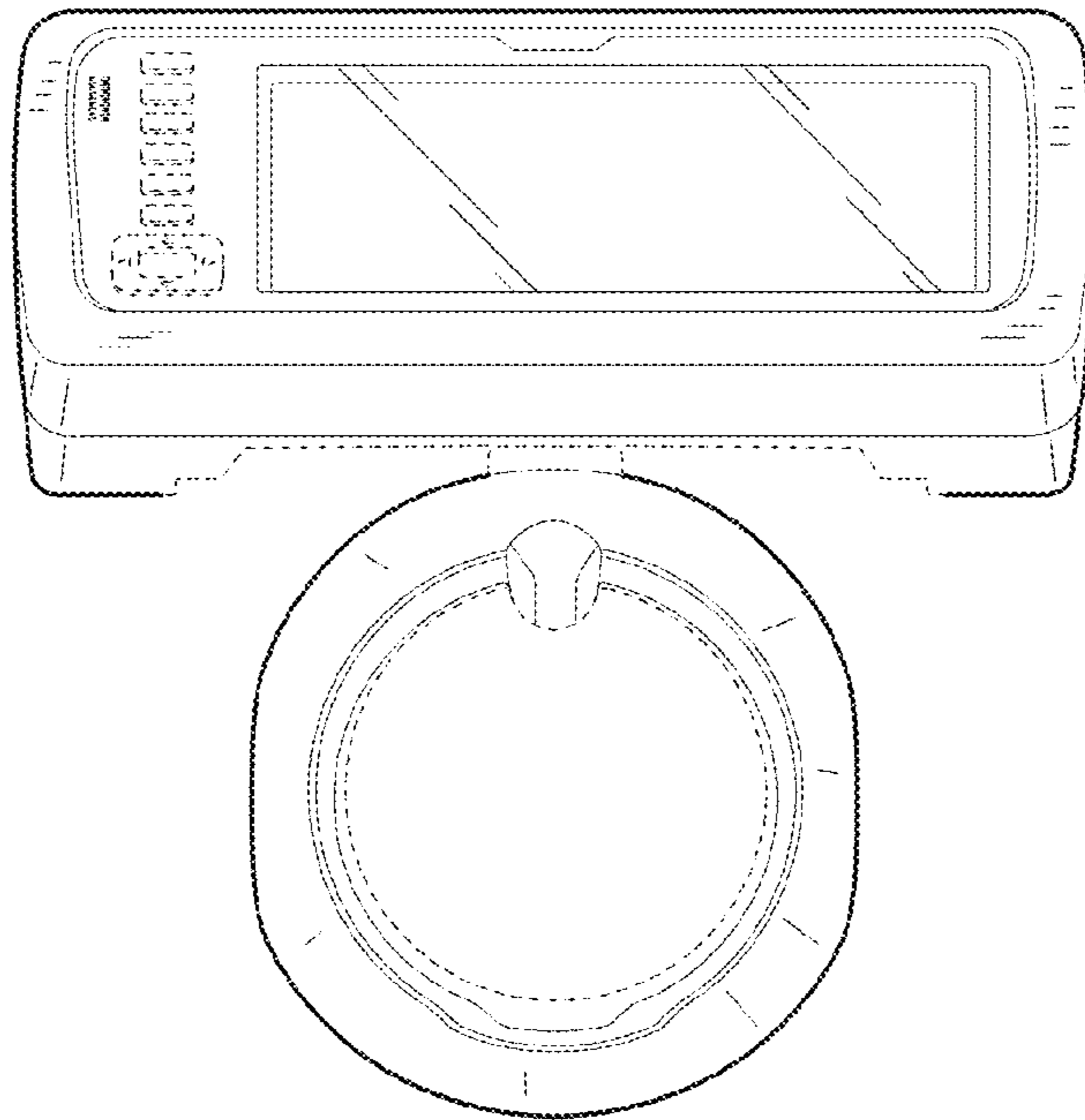


FIG. 6

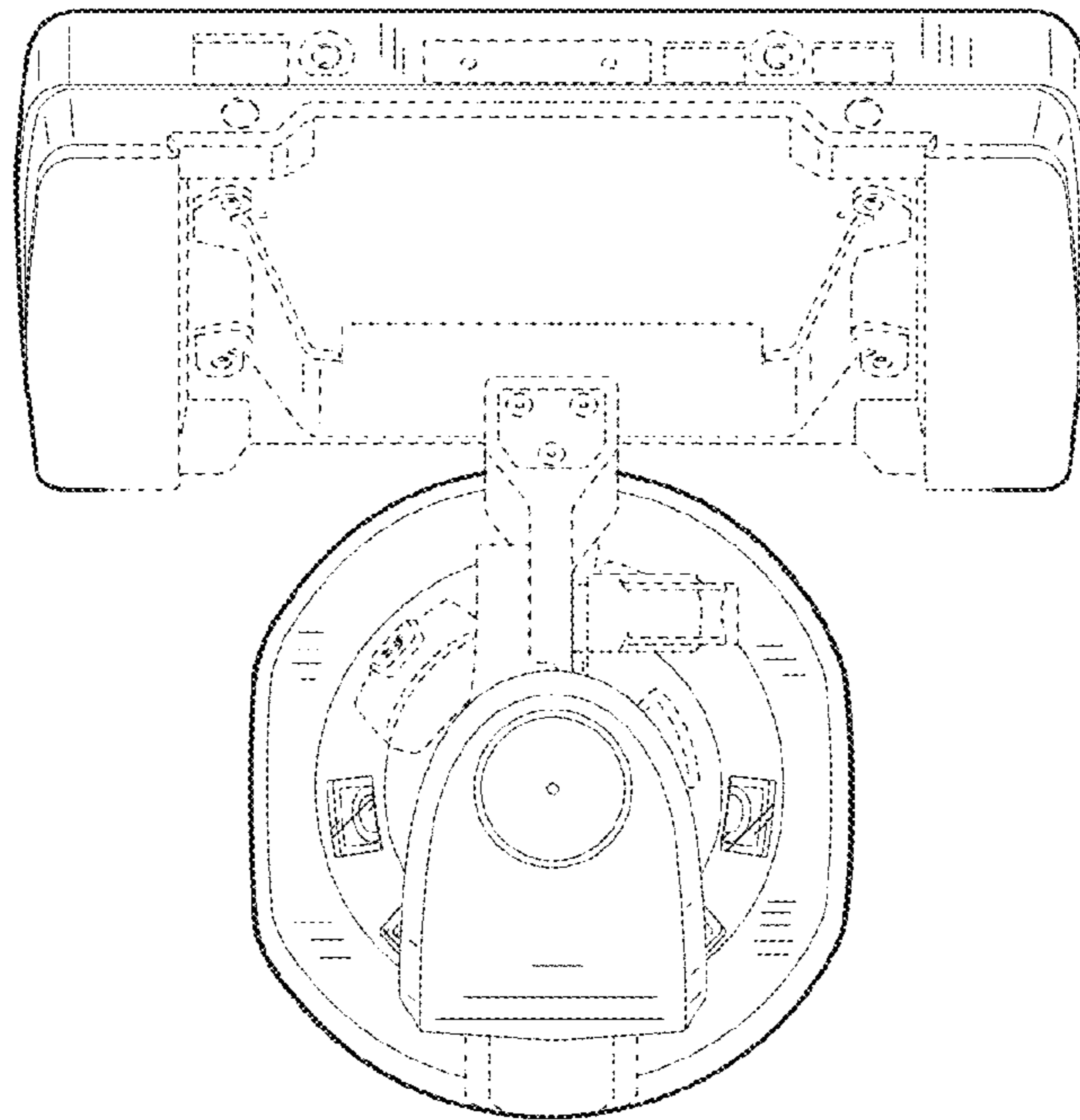


FIG. 7

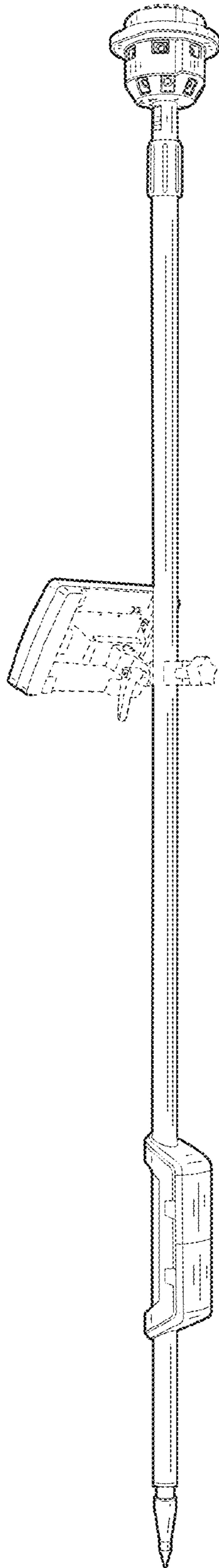


FIG.8

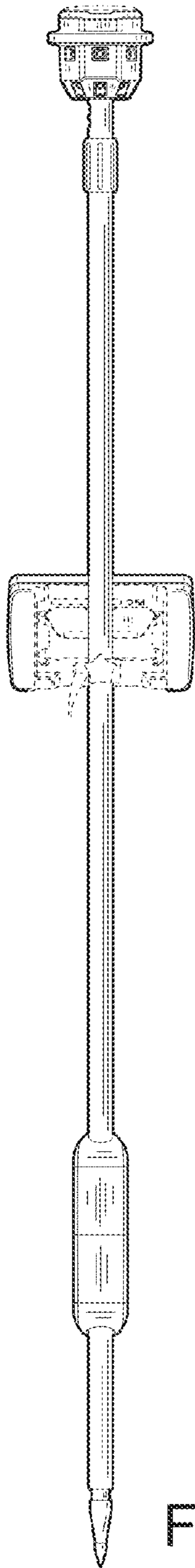


FIG. 9

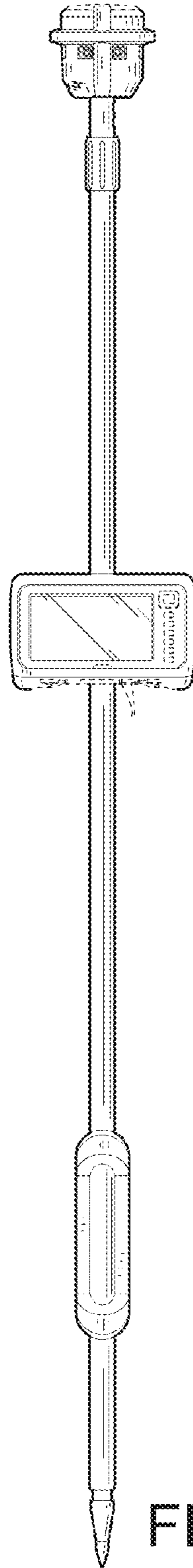


FIG. 10

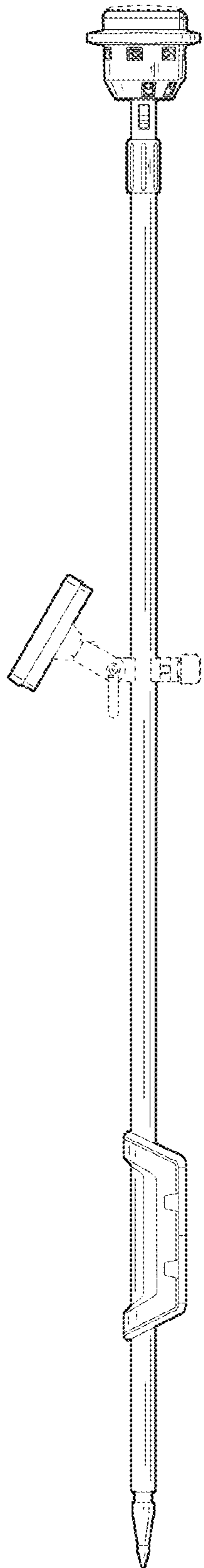


FIG. 11

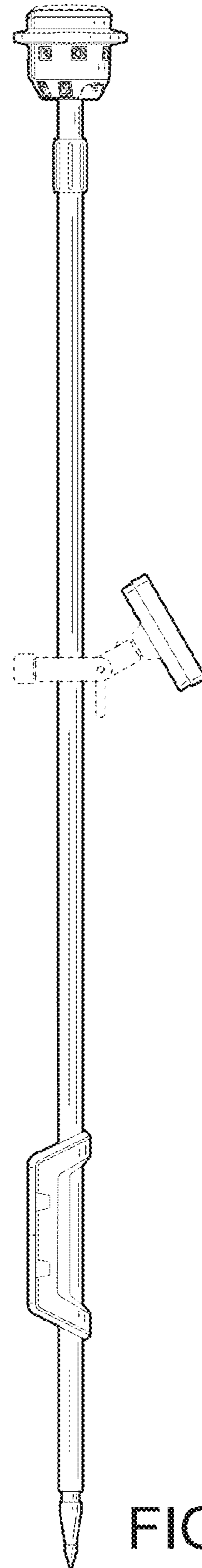


FIG. 12