



US00D717184S

(12) **United States Design Patent**  
**Yogo et al.**

(10) **Patent No.:** **US D717,184 S**

(45) **Date of Patent:** **\*\* Nov. 11, 2014**

(54) **TEMPERATURE AND HUMIDITY SENSOR**

(56) **References Cited**

(71) Applicant: **Hitachi Automotive Systems, Ltd.**,  
Ibaraki (JP)

U.S. PATENT DOCUMENTS

(72) Inventors: **Takayuki Yogo**, Hitachinaka (JP);  
**Takayuki Saito**, Hitachinaka (JP);  
**Hiroaki Hoshika**, Hitachiomiya (JP);  
**Takahiro Miki**, Hitachinaka (JP)

6,223,594 B1 \* 5/2001 Takiguchi et al. .... 73/204.21  
D447,972 S 9/2001 Igarashi et al.  
8,607,624 B2 \* 12/2013 Renninger et al. .... 73/114.32  
8,701,475 B2 \* 4/2014 Kohno ..... 73/114.33

(73) Assignee: **Hitachi Automotive Systems, Ltd.**,  
Ibaraki (JP)

FOREIGN PATENT DOCUMENTS

JP D 1433602 S 2/2012

(\*\*) Term: **14 Years**

*Primary Examiner* — Antoine D Davis

(21) Appl. No.: **29/456,778**

(74) *Attorney, Agent, or Firm* — Antonelli, Terry, Stout &  
Kraus, LLP.

(22) Filed: **Jun. 4, 2013**

(57) **CLAIM**

We claim the ornamental design for a temperature and humid-  
ity sensor, as shown.

(30) **Foreign Application Priority Data**

Dec. 6, 2012 (JP) ..... 2012-029886

**DESCRIPTION**

(51) **LOC (10) Cl.** ..... **10-04**

FIG. 1 is a front, top and right side perspective view of a  
temperature and humidity sensor showing our new design;  
FIG. 2 is a front elevational view thereof;  
FIG. 3 is a rear elevational view thereof;  
FIG. 4 is a left side elevational view thereof;  
FIG. 5 is a right side elevational view thereof;  
FIG. 6 is a top plan view thereof; and,  
FIG. 7 is a bottom plan view thereof.

(52) **U.S. Cl.**

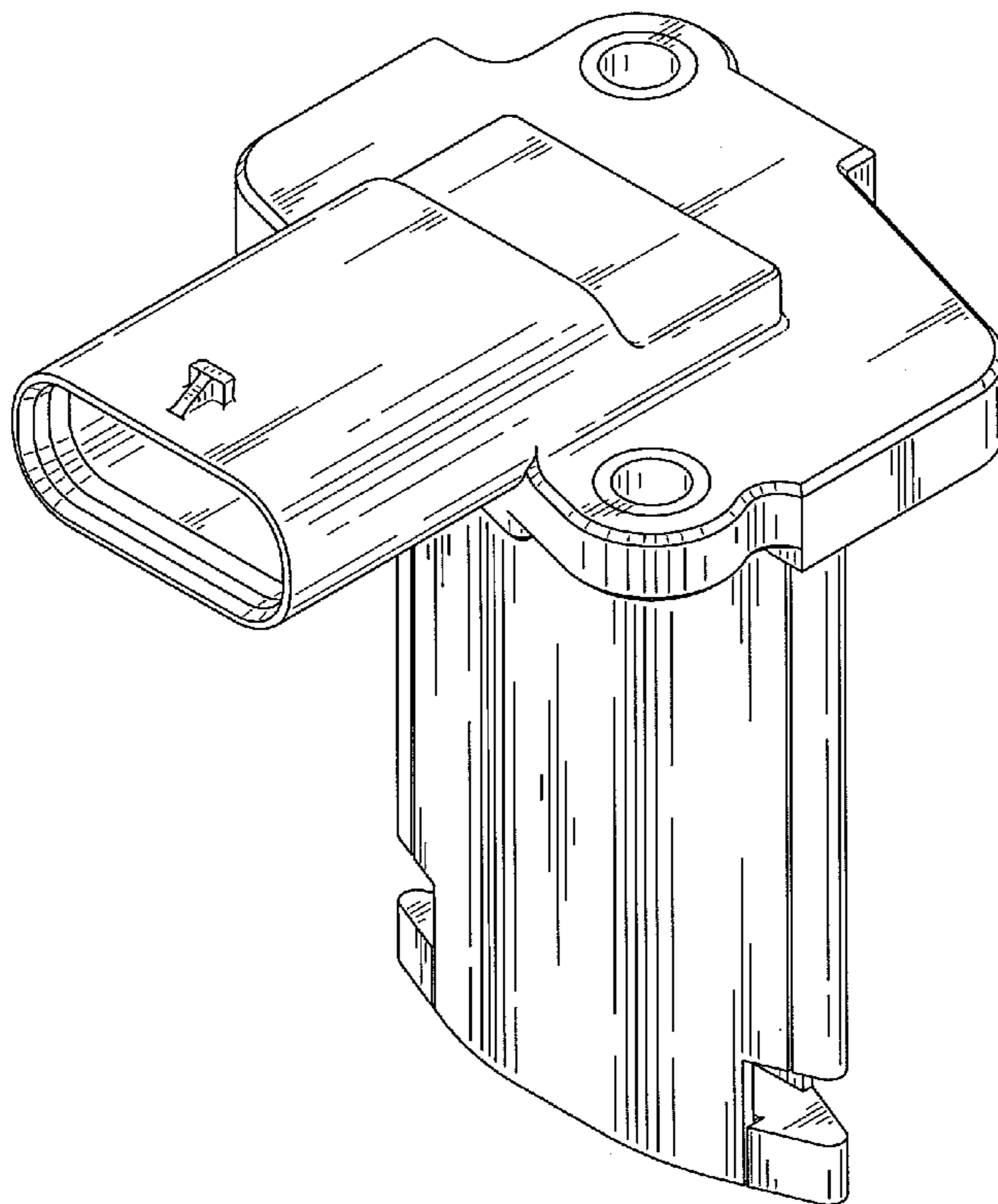
USPC ..... **D10/53**; D10/96

(58) **Field of Classification Search**

USPC ..... D10/52, 53, 96; 73/202, 202.5, 204.11,  
73/205.14, 204.15–204.27,  
73/861.75–861.77; 123/179.18; 701/102,  
701/103

See application file for complete search history.

**1 Claim, 4 Drawing Sheets**



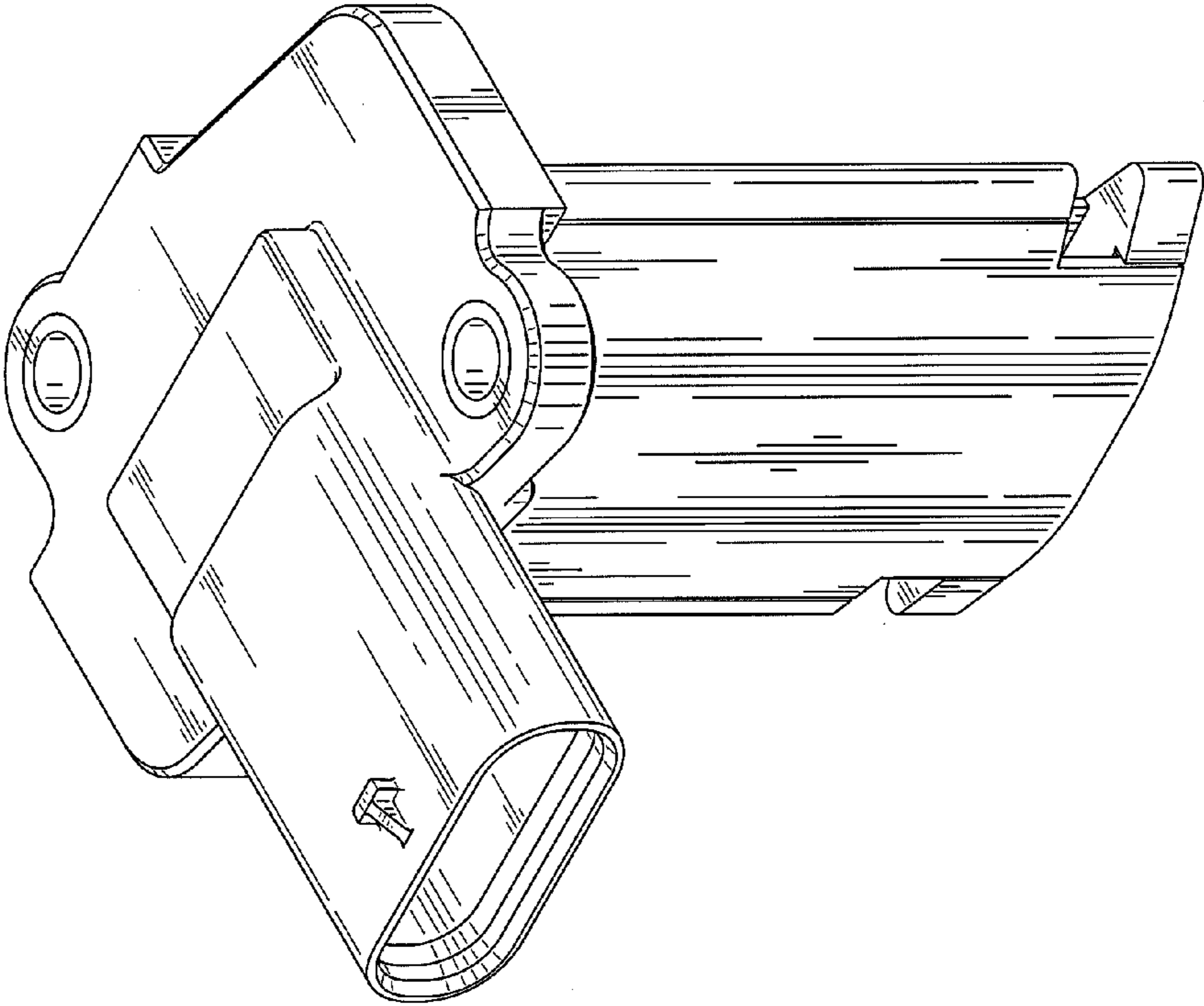


FIG. 1

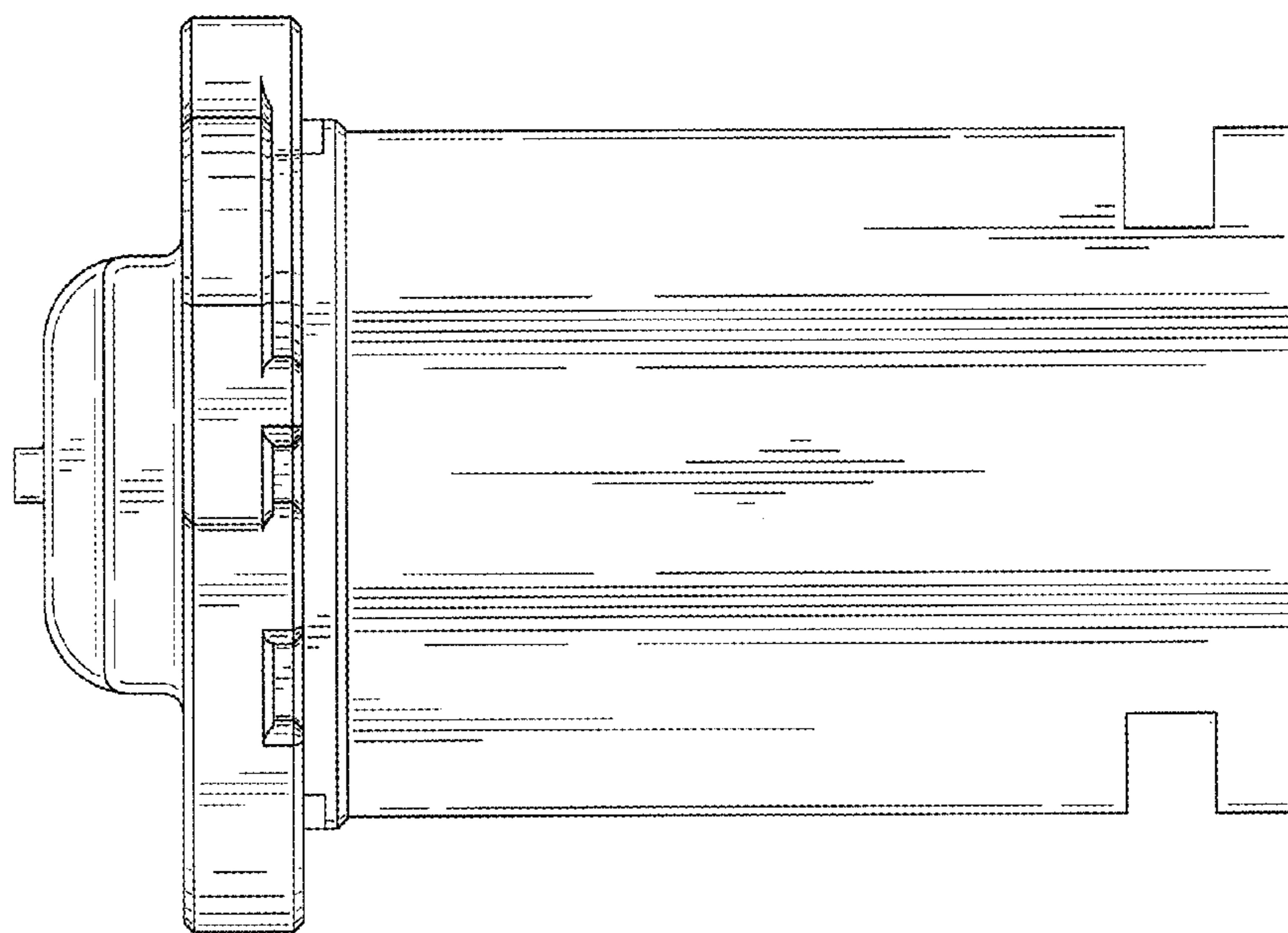


FIG. 3

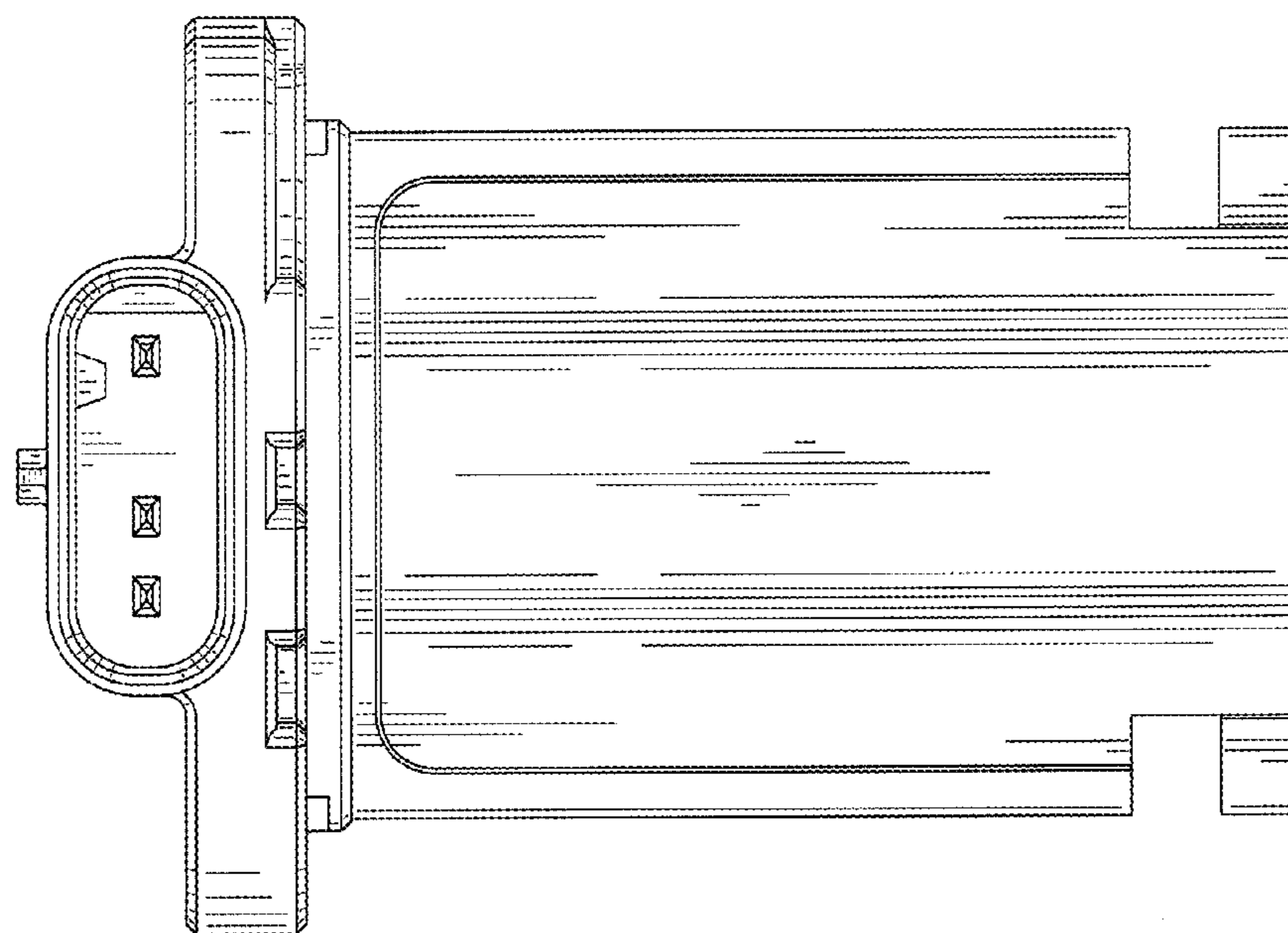


FIG. 2

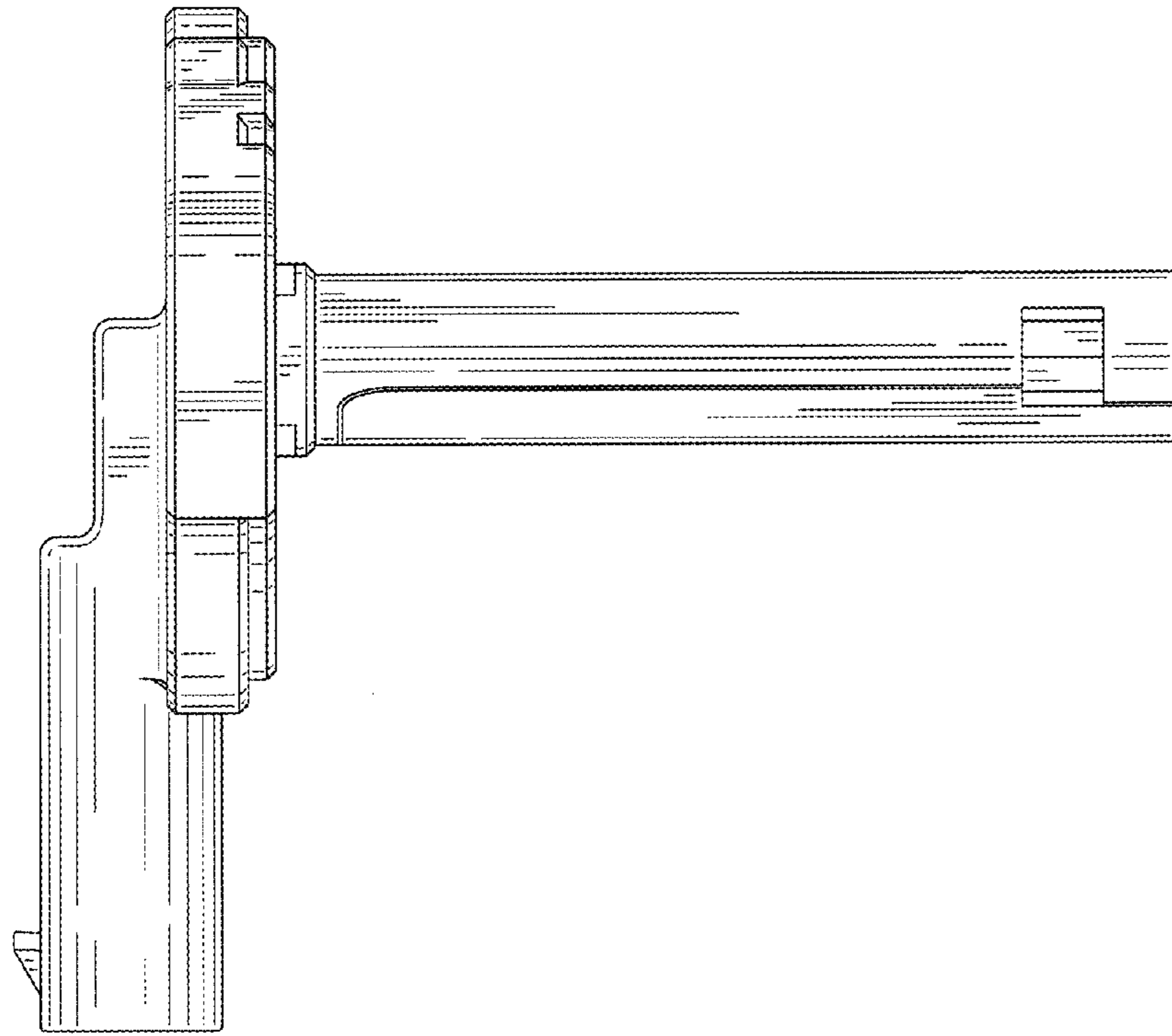


FIG. 5

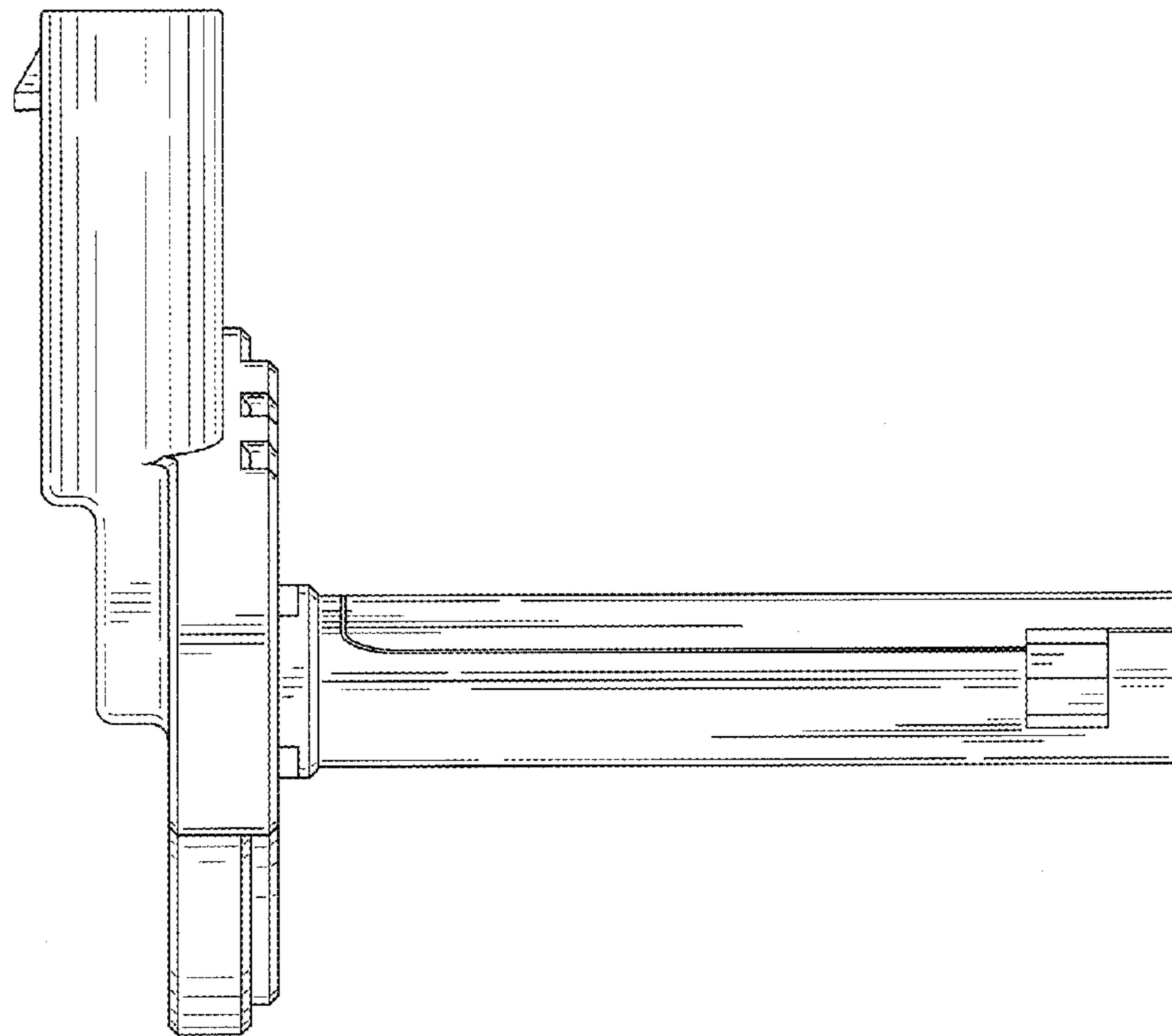


FIG. 4

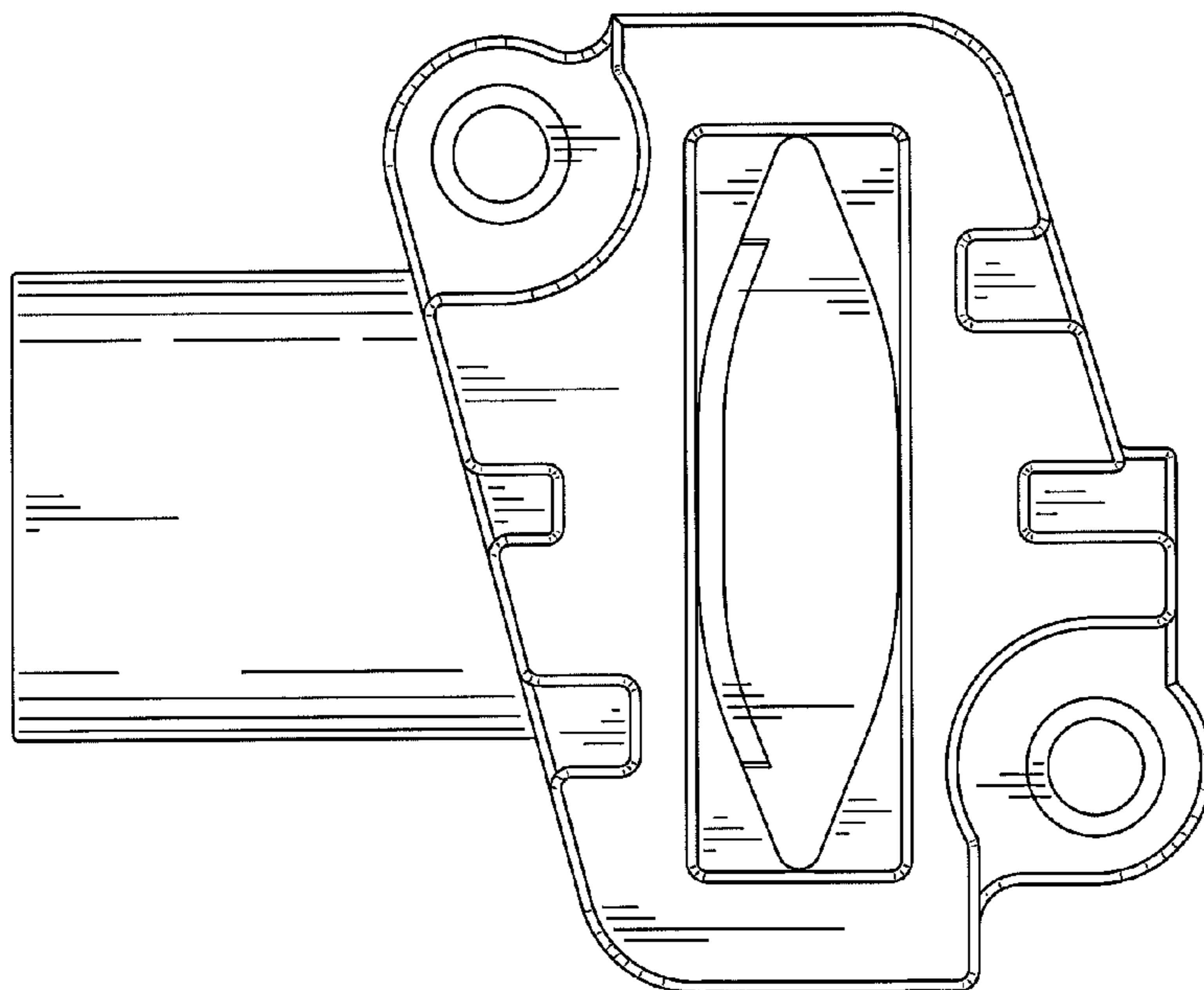


FIG. 7

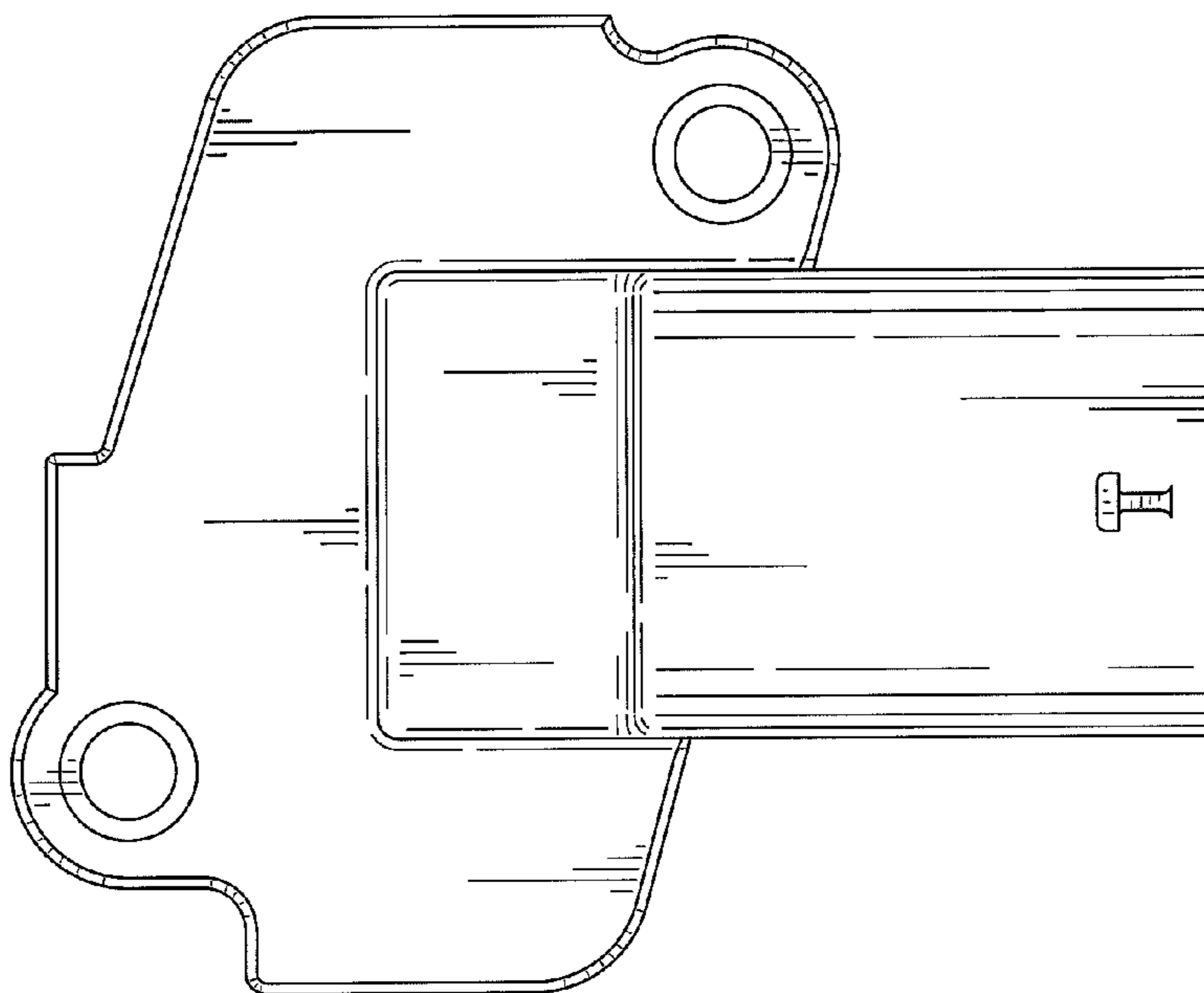


FIG. 6