



US00D717183S

(12) **United States Design Patent**  
**Herzl**

(10) **Patent No.:** **US D717,183 S**

(45) **Date of Patent:** **\*\* Nov. 11, 2014**

(54) **SENSOR MODULE FOR AN AIR QUALITY SENSING DEVICE**

(71) Applicant: **Aclima Inc.**, San Francisco, CA (US)

(72) Inventor: **Reuben A. Herzl**, Los Angeles, CA (US)

(73) Assignee: **Aclima Inc.**, San Francisco, CA (US)

(\*\*) Term: **14 Years**

(21) Appl. No.: **29/455,612**

(22) Filed: **May 22, 2013**

(51) **LOC (10) Cl.** ..... **10-04**

(52) **U.S. Cl.**  
USPC ..... **D10/53**

(58) **Field of Classification Search**

CPC ..... G01N 1/2273; G01N 1/24; G01N 25/56;  
G01N 27/122; G01N 33/0037; G01N 33/0039;  
G01N 33/0044; G01N 33/0054; G01N 33/006;  
G01N 33/0075

USPC ..... D10/52, 53, 60; 73/1.06, 23.2,  
73/31.01–31.07; 62/126; 165/200, 217,  
165/248–251; 236/44 A, 49.3; 340/500,  
340/501, 870.16, 870.02, 531, 517, 521,  
340/539.22, 870.17; 700/275, 276, 282;  
702/130, 182, 188

See application file for complete search history.

(56) **References Cited**

U.S. PATENT DOCUMENTS

D597,865 S \* 8/2009 Bernard et al. .... D10/52  
D597,866 S \* 8/2009 Bernard et al. .... D10/52

\* cited by examiner

*Primary Examiner* — Antoine D Davis

(74) *Attorney, Agent, or Firm* — Van Pelt, Yi & James LLP

(57) **CLAIM**

The ornamental design for a sensor module for an air quality sensing device, as shown and described.

**DESCRIPTION**

FIG. 1 is a perspective view of a sensor module for an air quality sensing device showing my new design.

FIG. 2 is a bottom rear perspective view thereof.

FIG. 3 is a front view thereof.

FIG. 4 is a rear view thereof.

FIG. 5 is a top view thereof.

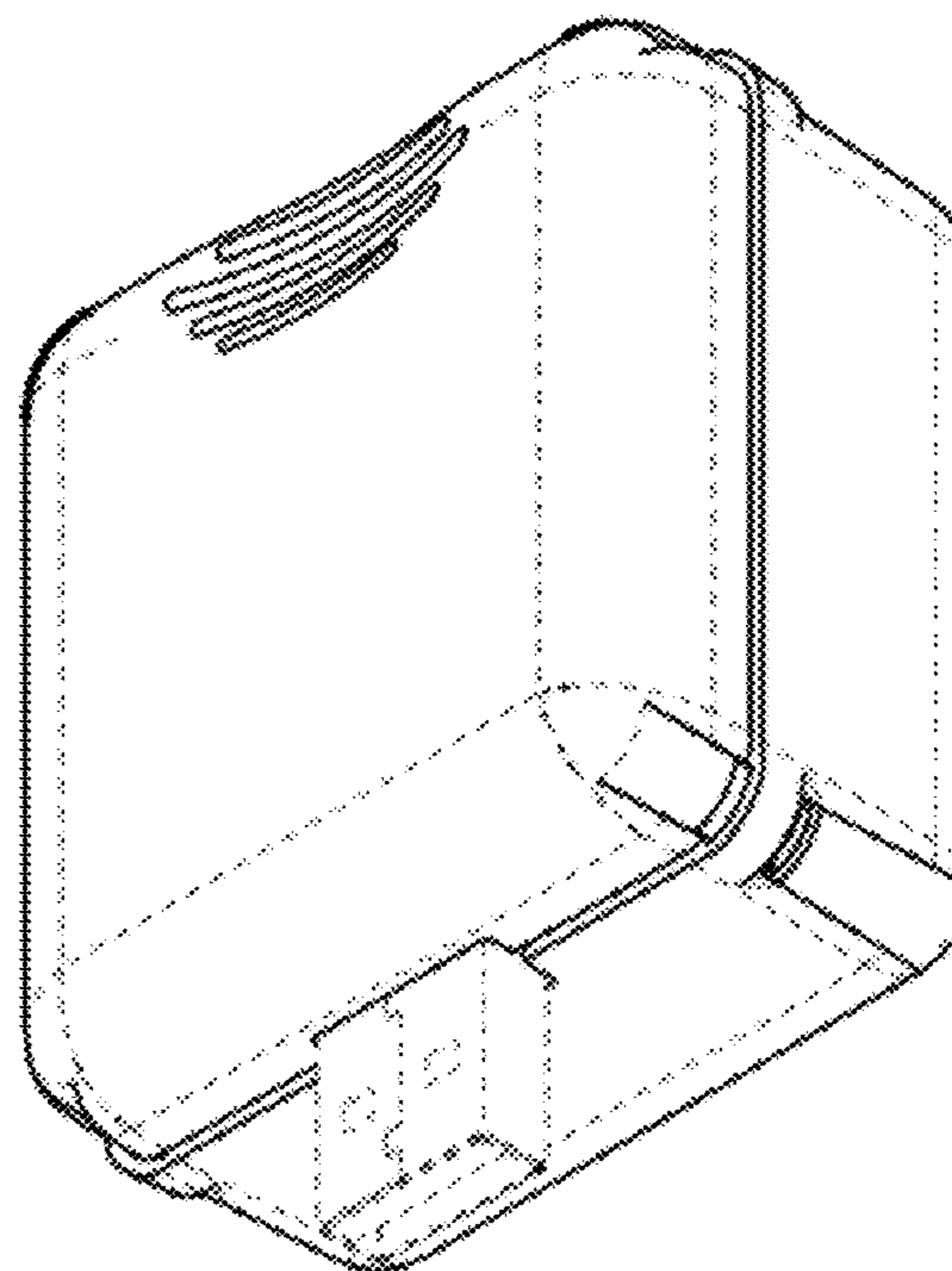
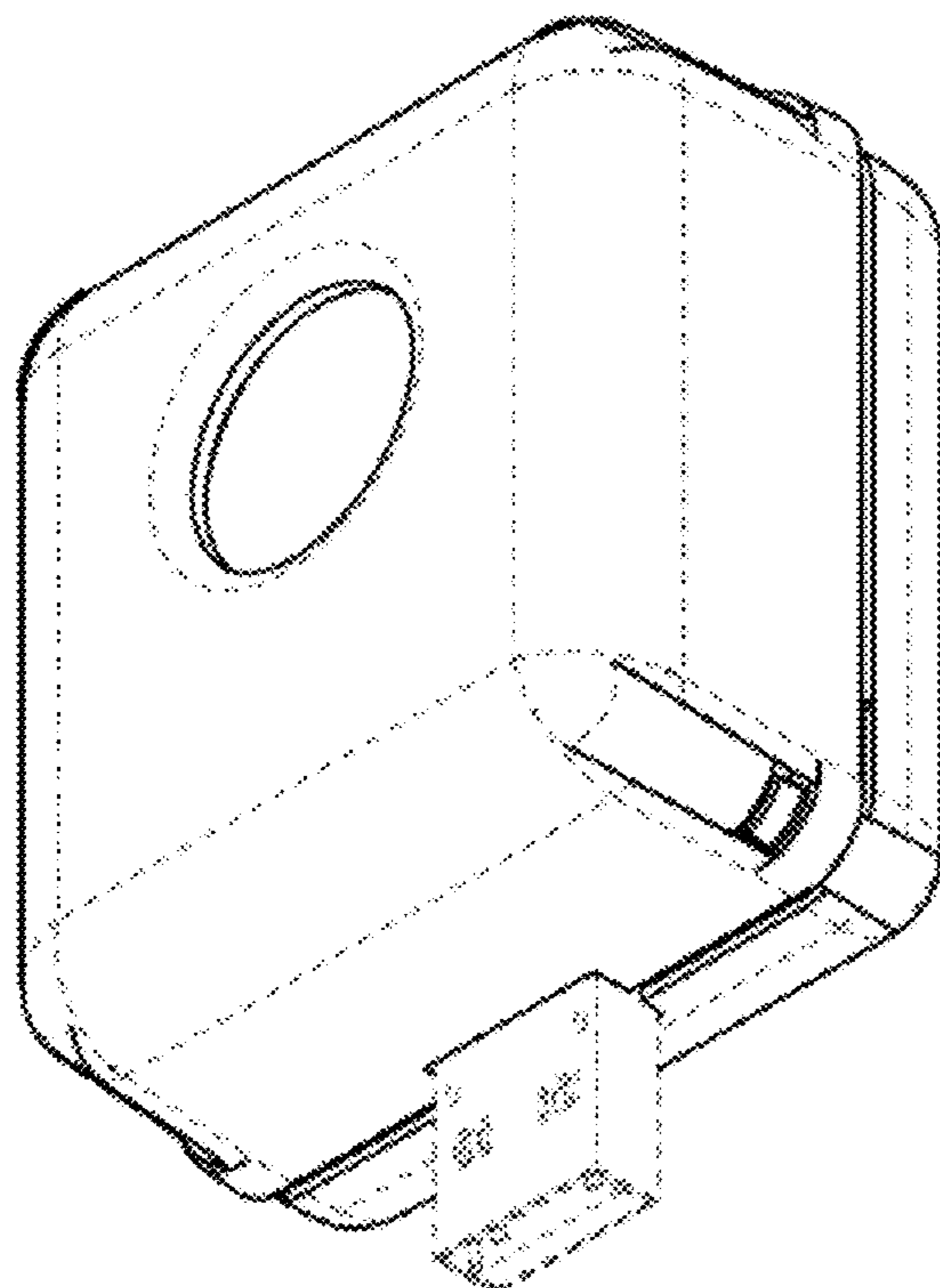
FIG. 6 is a bottom view thereof.

FIG. 7 is a left side view thereof; and,

FIG. 8 is a right side view thereof.

Features shown in broken line are for illustrative purpose only and form no part of the claimed design.

**1 Claim, 3 Drawing Sheets**



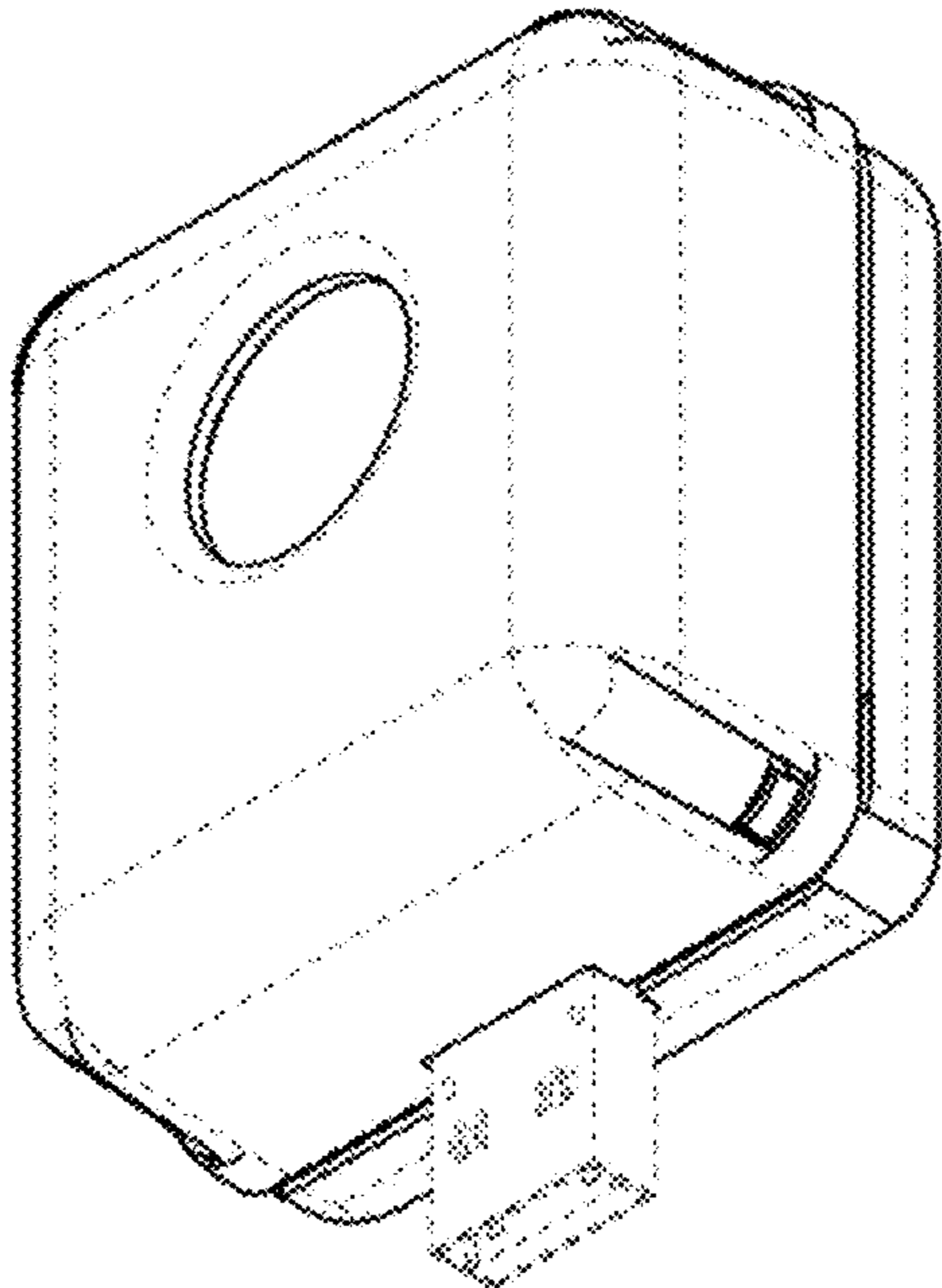


FIG. 1

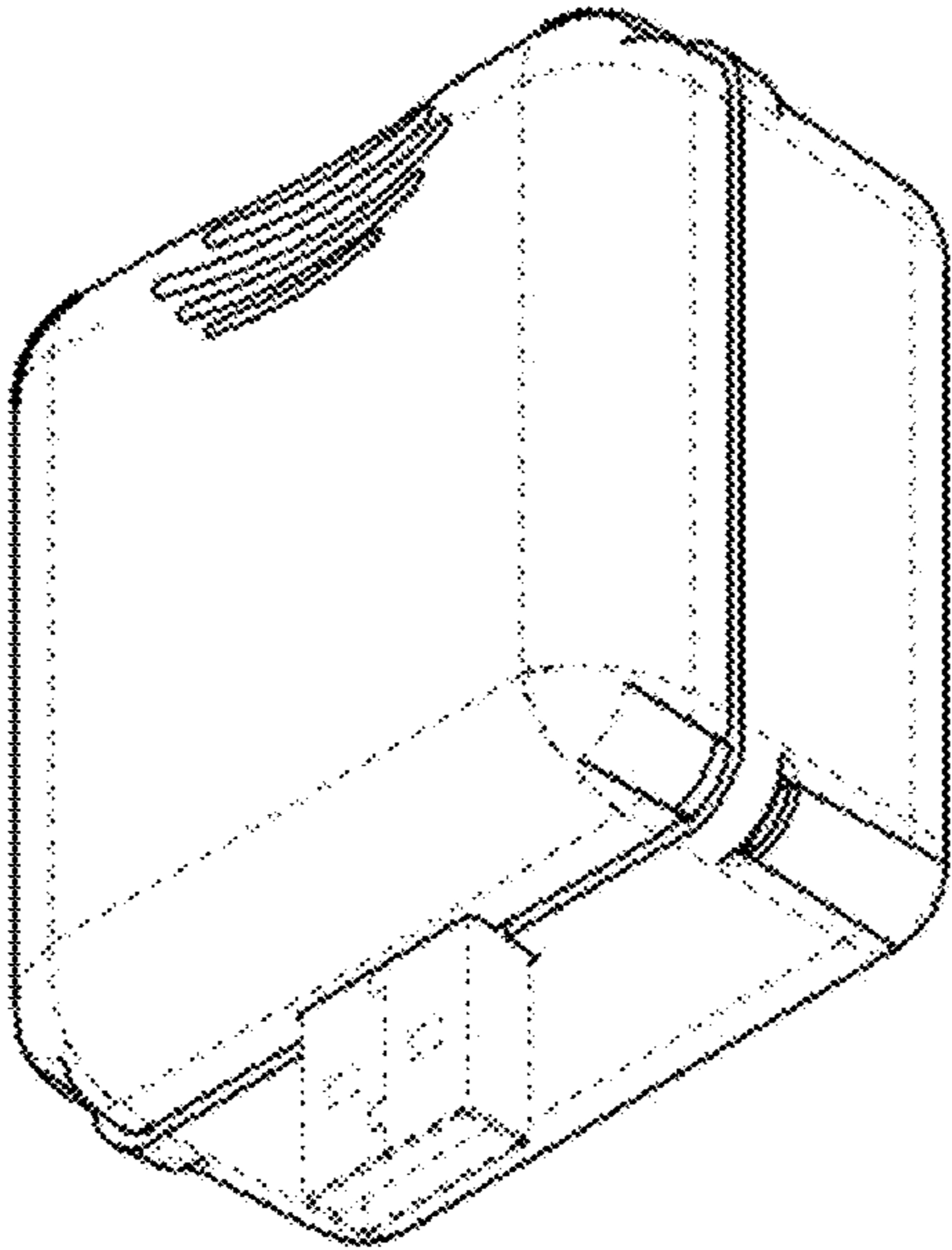


FIG. 2

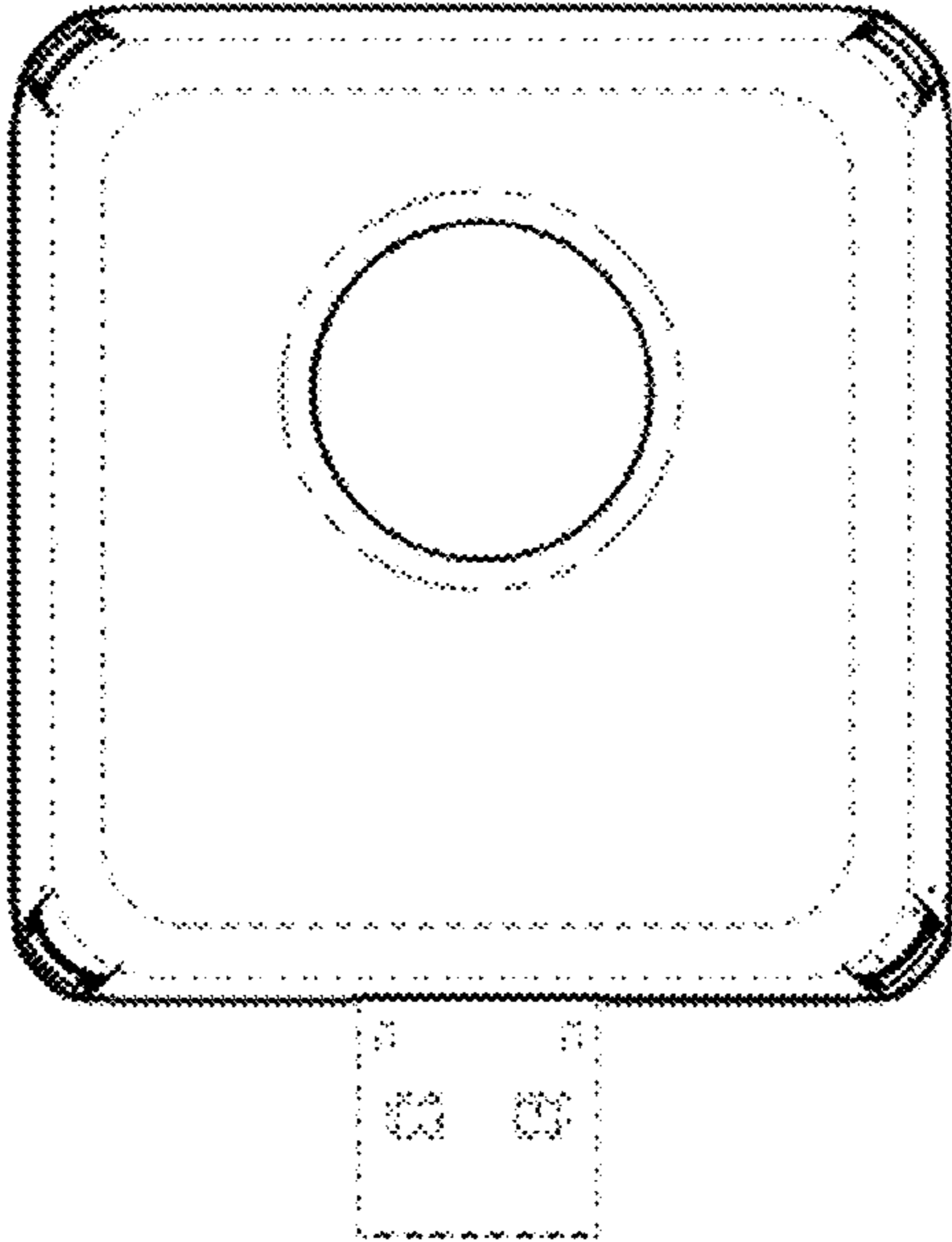


FIG. 3

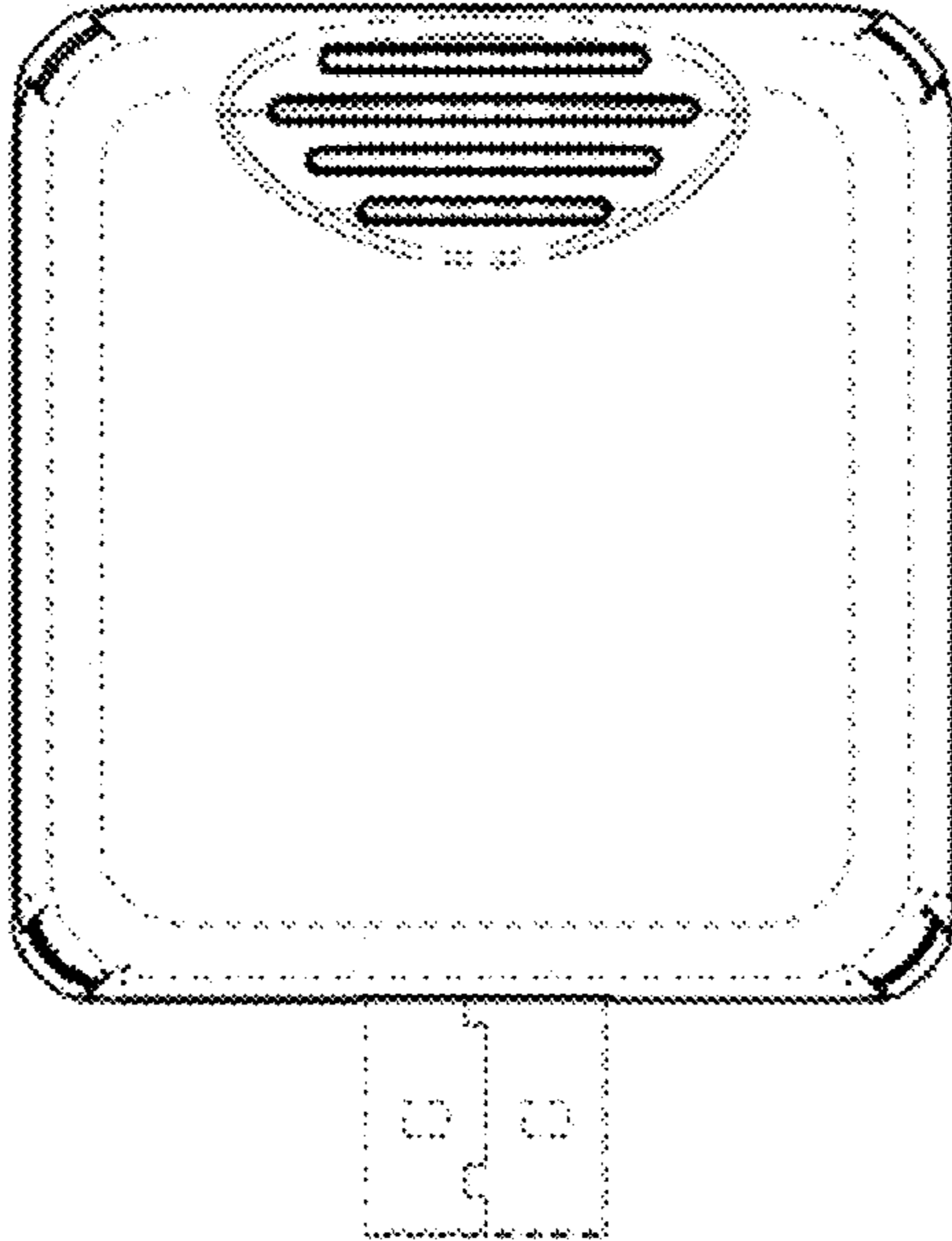


FIG. 4

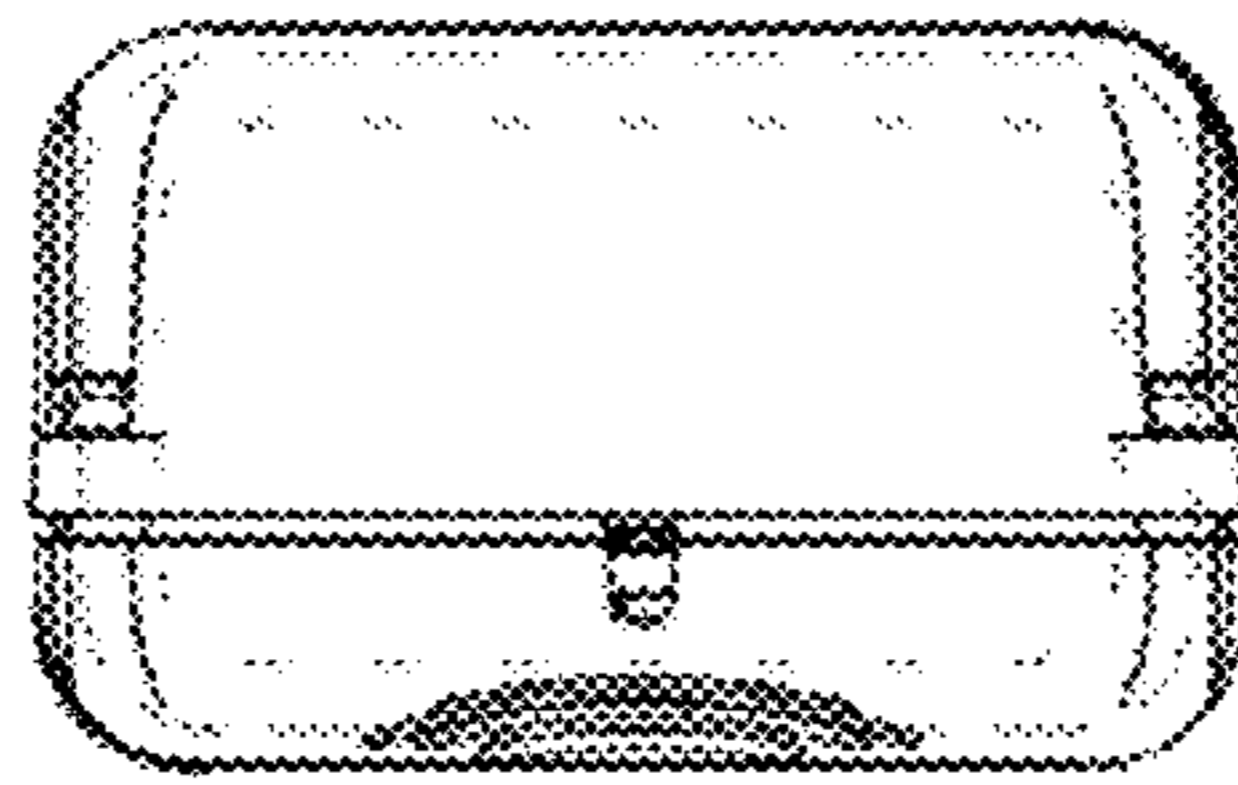


FIG. 5

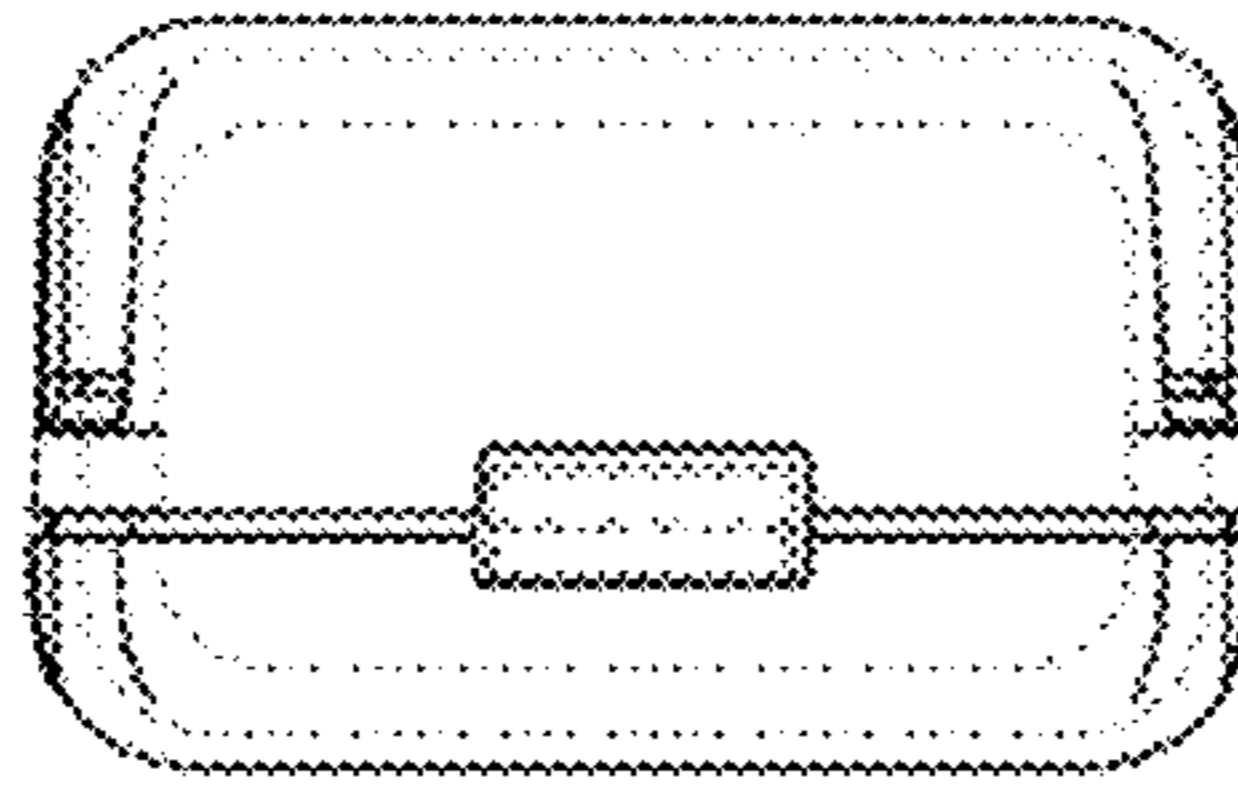


FIG. 6

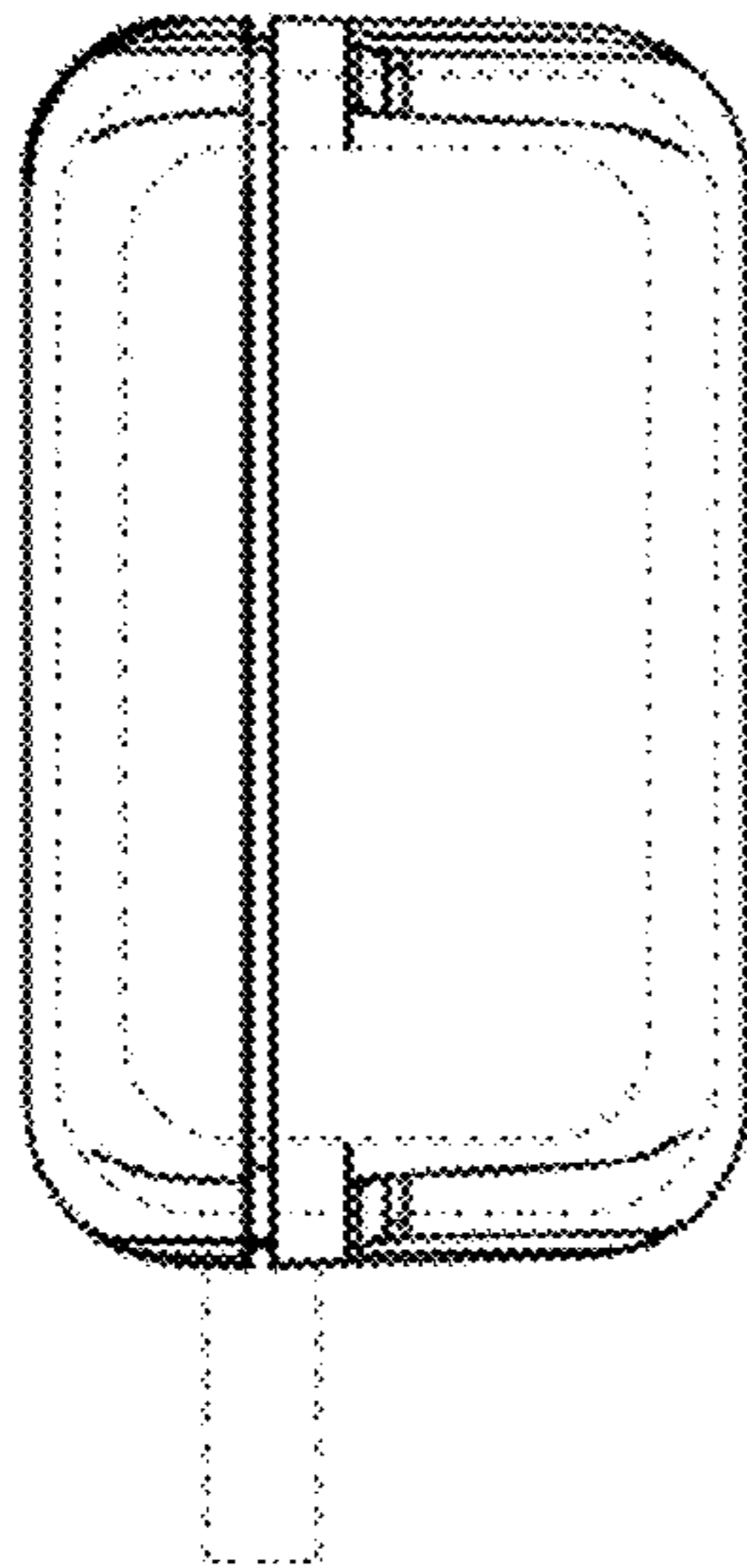


FIG. 7

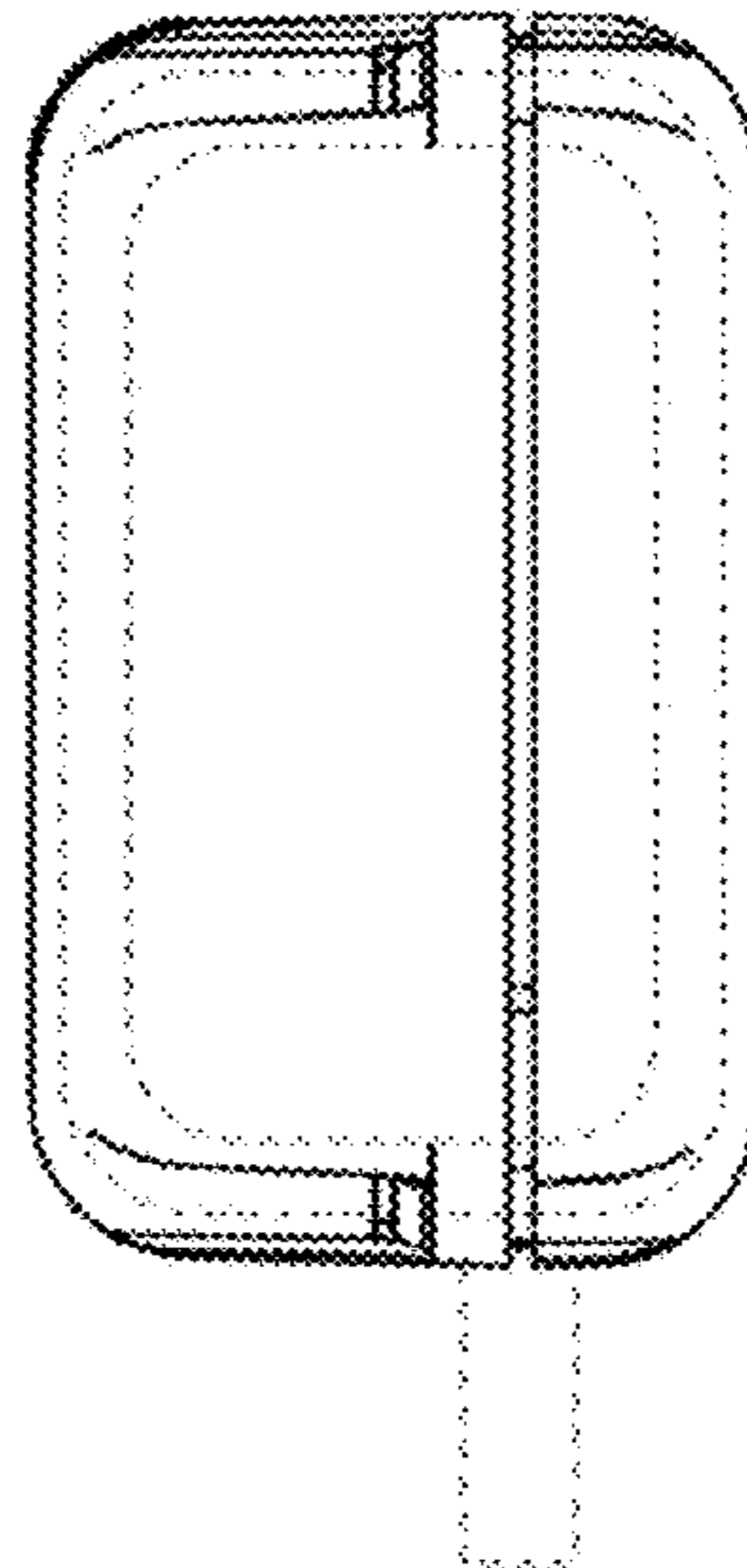


FIG. 8