



US00D717179S

(12) **United States Design Patent**
Sasaki

(10) **Patent No.:** **US D717,179 S**

(45) **Date of Patent:** **** Nov. 11, 2014**

(54) **WRIST WATCH**

(71) Applicants: **Citizen Holdings Co., Ltd.**, Nishitokyo (JP); **Citizen Watch Co., Ltd.**, Nishitokyo (JP)

(72) Inventor: **Rido Sasaki**, Saitama (JP)

(73) Assignees: **Citizen Holdings Co., Ltd.**, Tokyo (JP); **Citizen Watch Co., Ltd.**, Tokyo (JP)

(**) Term: **14 Years**

(21) Appl. No.: **29/486,037**

(22) Filed: **Mar. 26, 2014**

(51) **LOC (10) Cl.** **10-02**

(52) **U.S. Cl.**
USPC **D10/32**

(58) **Field of Classification Search**
USPC D10/30-39; D11/3; 368/276, 281, 282, 368/285

See application file for complete search history.

(56) **References Cited**

U.S. PATENT DOCUMENTS

D186,180	S	*	9/1959	Diamond	D10/39
3,733,809	A	*	5/1973	Reiter et al.	368/232
D325,883	S	*	5/1992	St. Dizier	D11/21
D365,526	S	*	12/1995	Gardner	D10/39
D371,077	S	*	6/1996	Terashima	D10/30
D401,866	S	*	12/1998	Pandel	D10/32
D438,473	S	*	3/2001	Dumas	D10/39
D473,474	S	*	4/2003	Wunderman	D10/32
D538,182	S	*	3/2007	Lalo	D10/32
D551,095	S	*	9/2007	Monachon	D10/32
D599,682	S	*	9/2009	Yoshida et al.	D10/32
D617,213	S	*	6/2010	Dolce et al.	D10/38
D633,812	S	*	3/2011	Yurman	D10/32

D640,144	S	*	6/2011	Tonohori	D10/32
D640,145	S	*	6/2011	Goto	D10/32
D648,638	S	*	11/2011	Monachon	D10/39
D650,704	S	*	12/2011	Actis-Datta	D10/32
D658,510	S	*	5/2012	Wai Kei	D10/32
D673,463	S	*	1/2013	Duport	D10/32
D673,866	S	*	1/2013	Duport	D10/32
D679,200	S	*	4/2013	Jacquerye	D10/39
D690,209	S	*	9/2013	Kawashima	D10/32
D691,495	S	*	10/2013	Duport	D10/32

FOREIGN PATENT DOCUMENTS

EM 002334003-0010 11/2013

OTHER PUBLICATIONS

Print out of website showing product Versace Men's VFI060013 retrieved Mar. 20, 2014 (1 page).

* cited by examiner

Primary Examiner — Lucy Lieberman

(74) *Attorney, Agent, or Firm* — Banner & Witcoff, Ltd.

(57) **CLAIM**

The ornamental design for a wrist watch, as shown and described.

DESCRIPTION

FIG. 1 is a perspective view of a wrist watch thereof, FIG. 2 is a front elevational view thereof, FIG. 3 is a rear elevational view thereof, FIG. 4 is a top plan view thereof, FIG. 5 is a bottom plan view thereof, FIG. 6 is a right side elevational view; and, FIG. 7 is a left side elevational view thereof. The broken lines shown in the figures is for environmental purposes only and form no part of the claimed design.

1 Claim, 7 Drawing Sheets

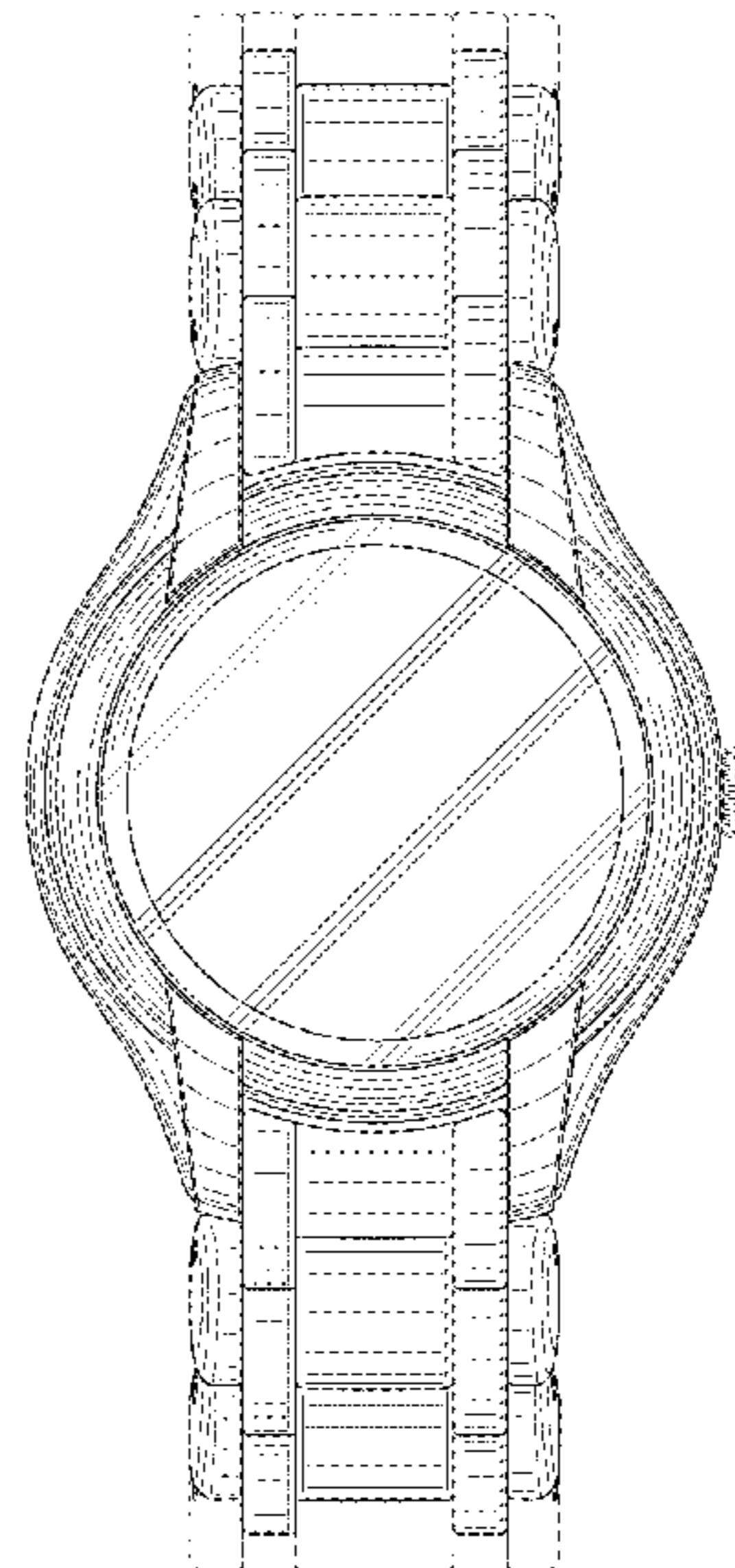
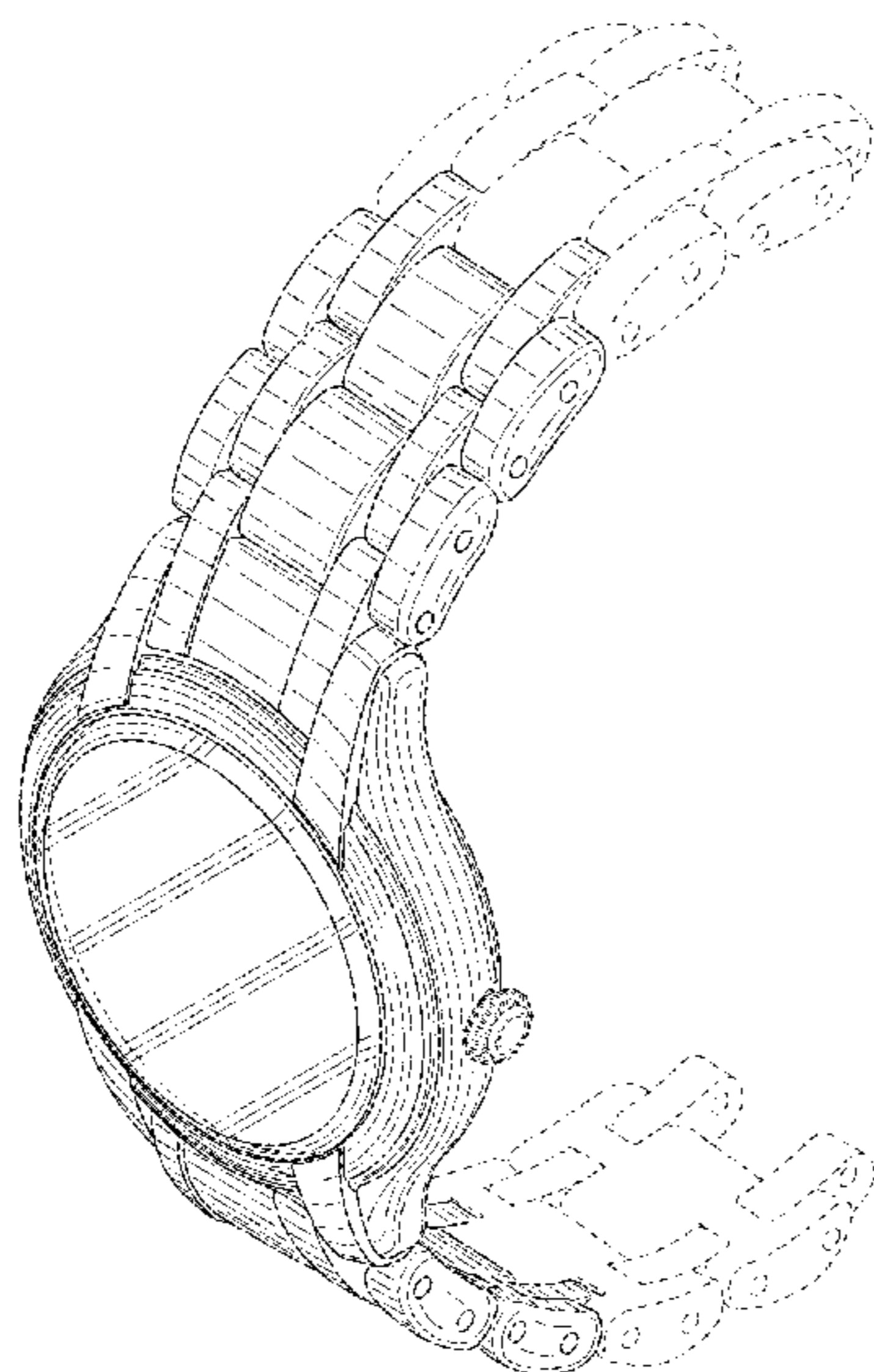


FIG. 1

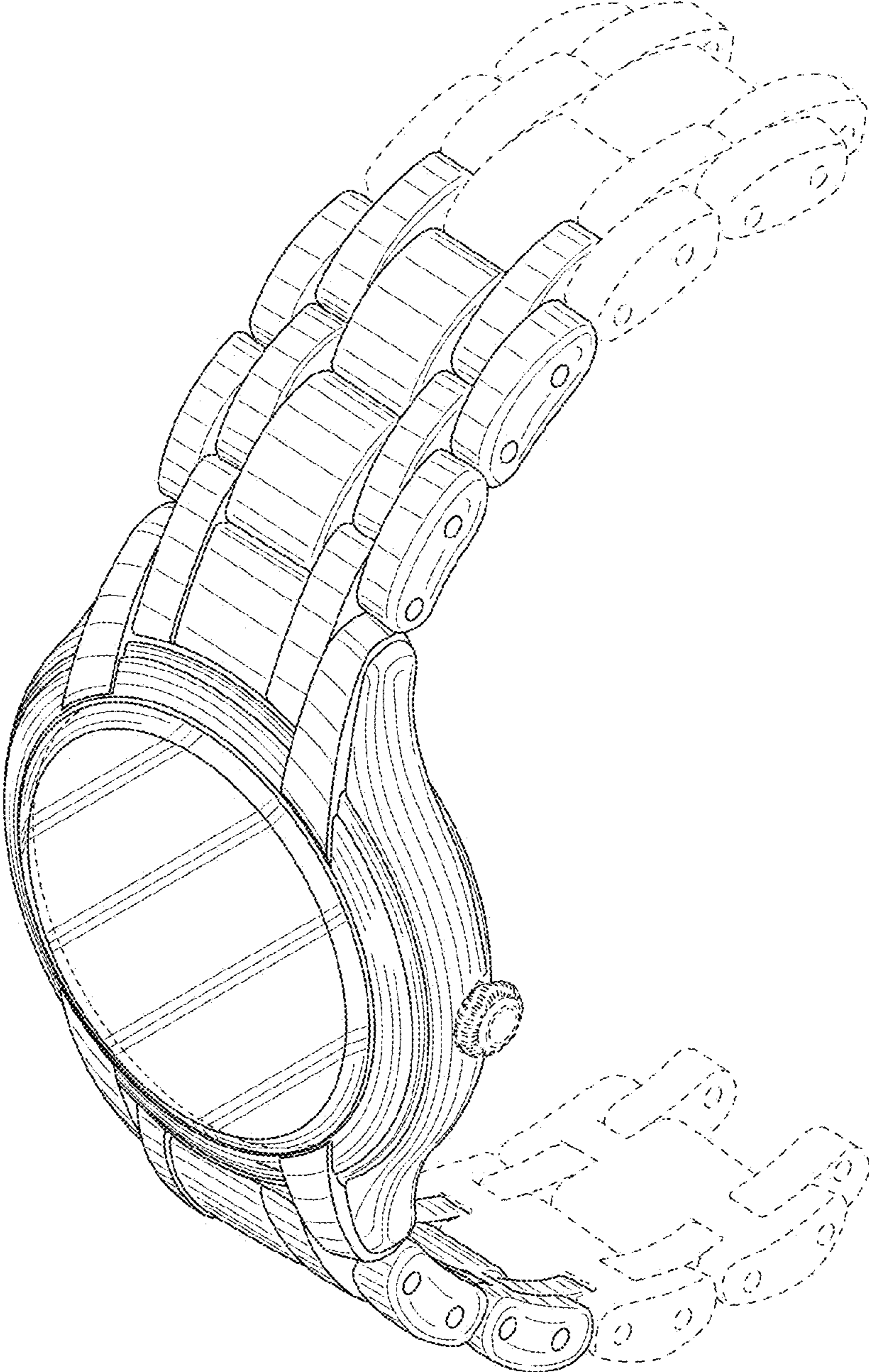


FIG. 2

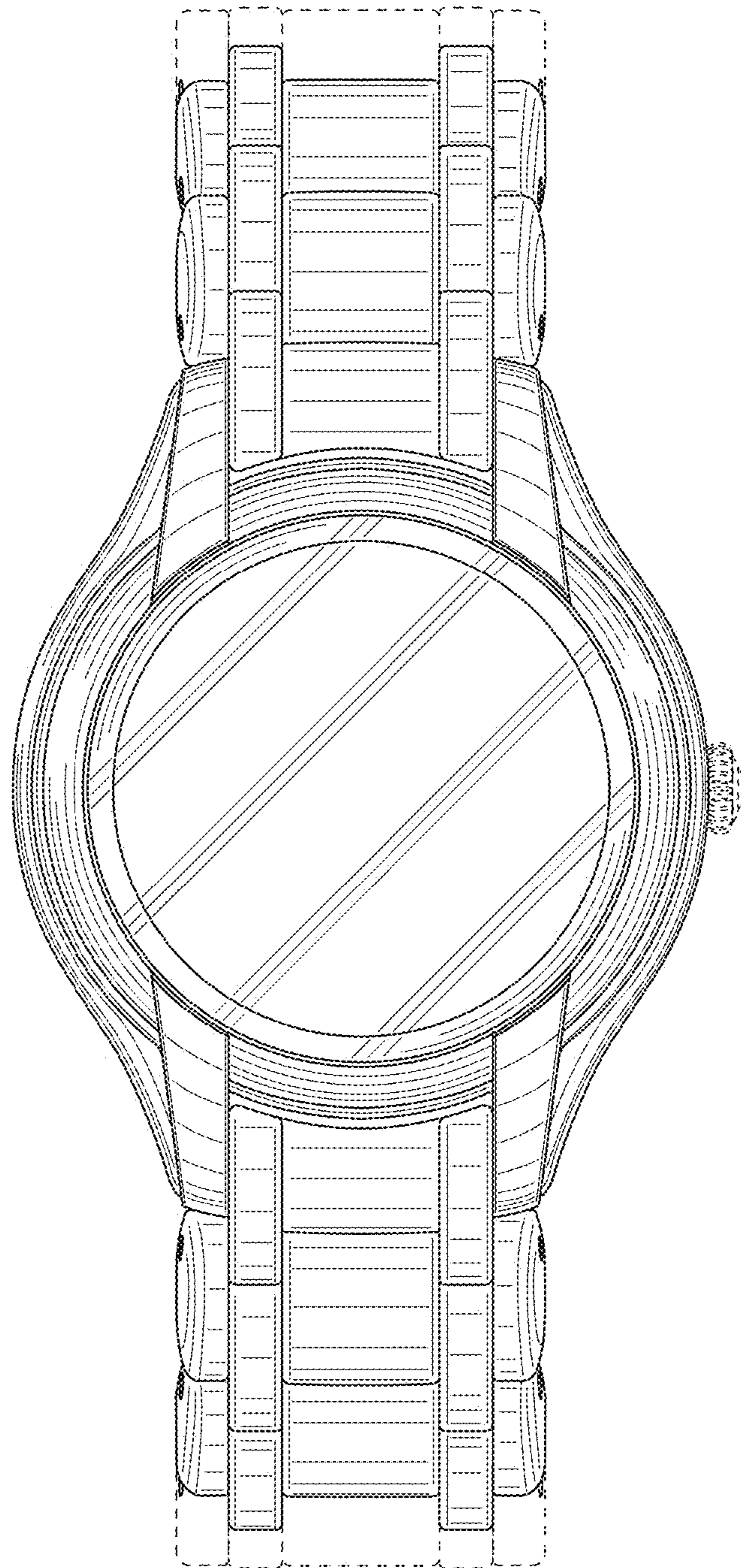


FIG. 3

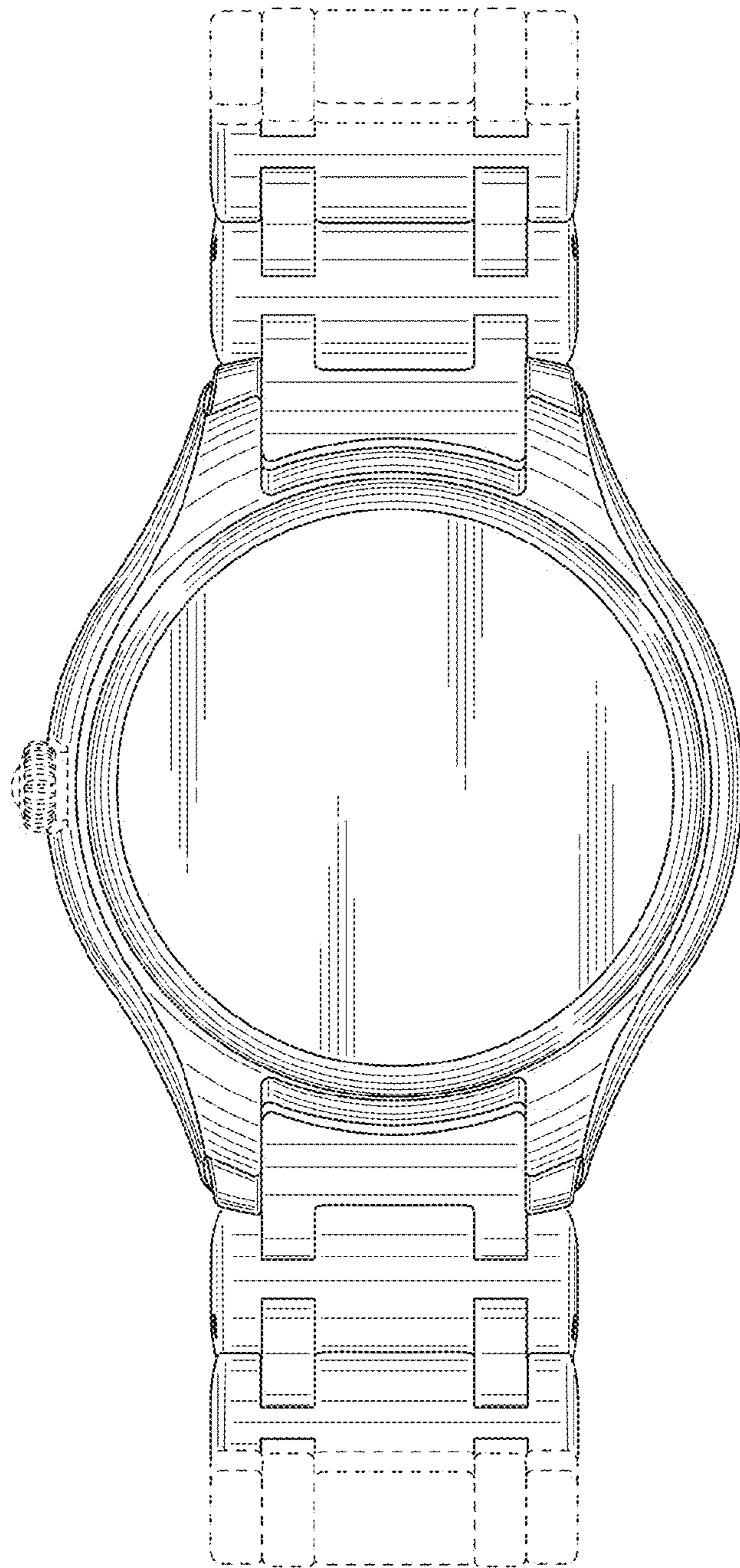


FIG. 4

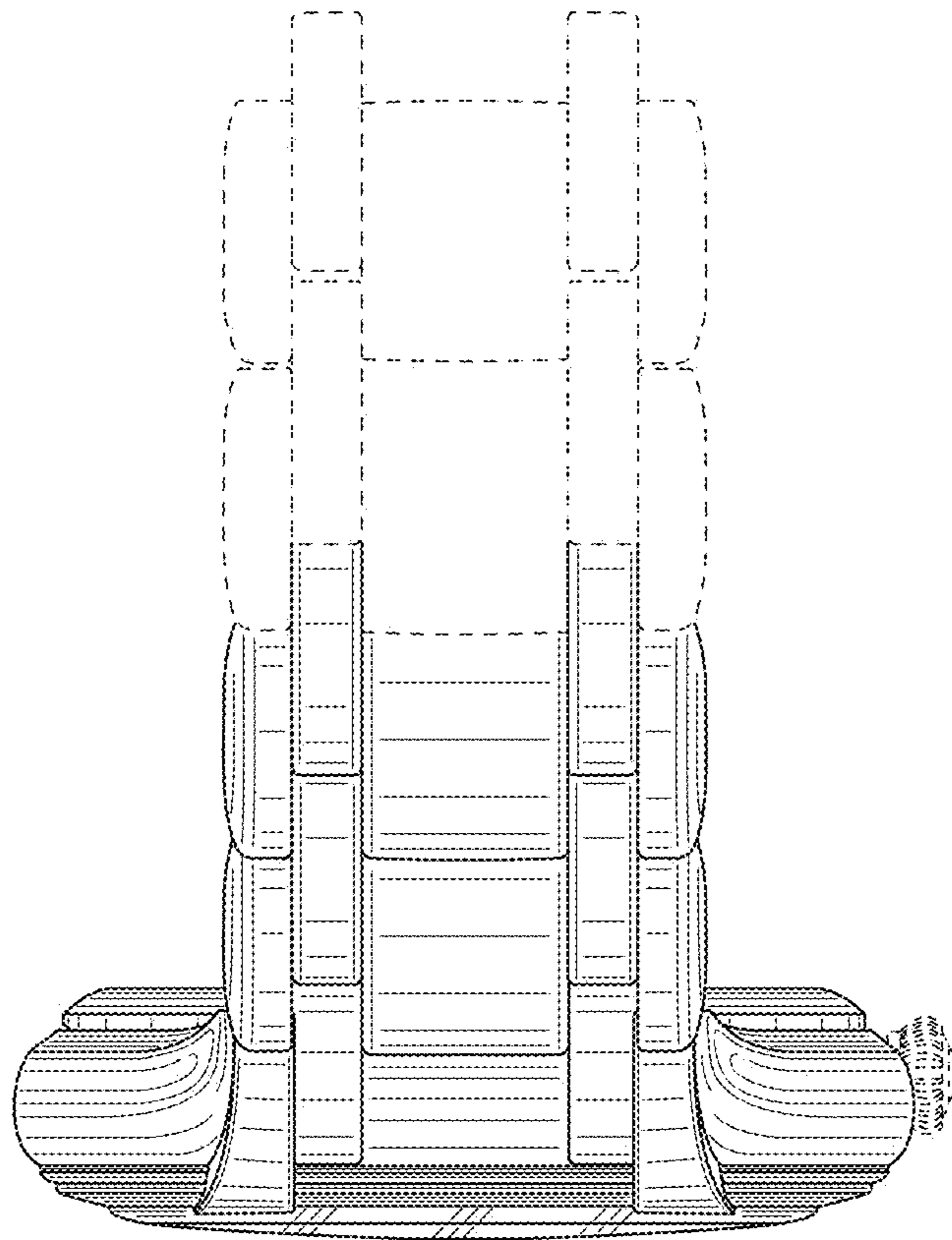


FIG. 5

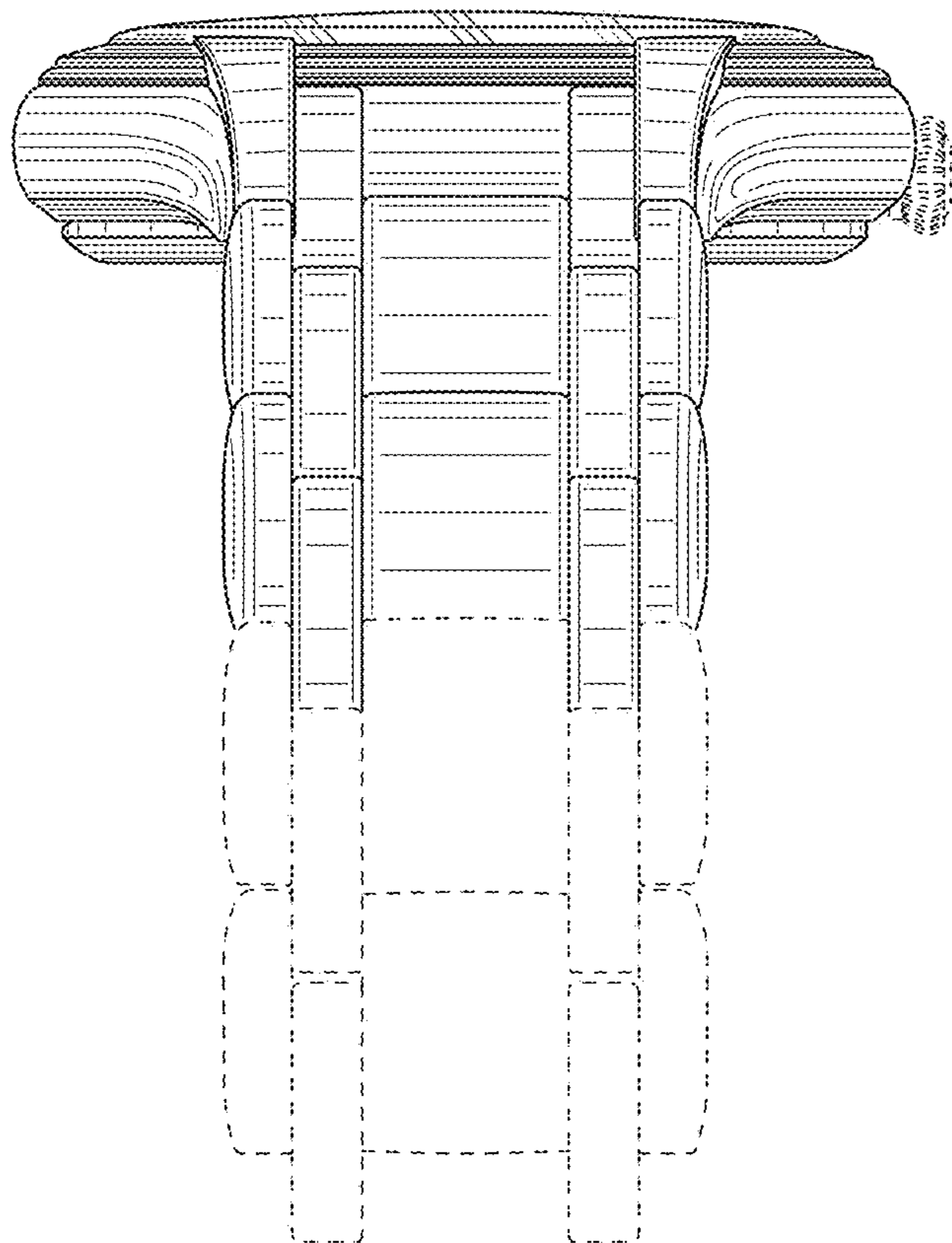


FIG. 6

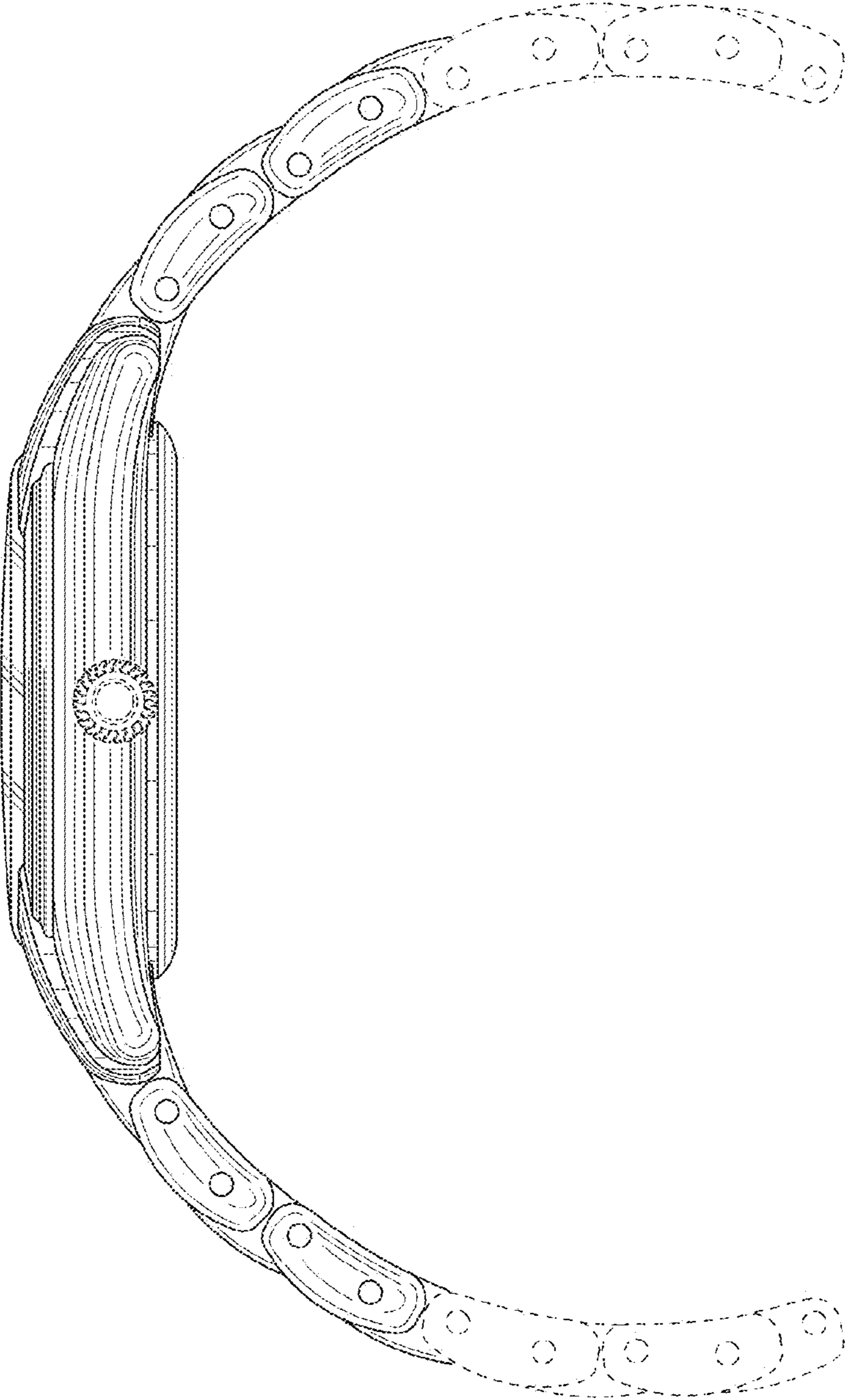


FIG. 7

