



US00D717176S

(12) **United States Design Patent**
Gomez

(10) **Patent No.:** **US D717,176 S**

(45) **Date of Patent:** **** Nov. 11, 2014**

(54) **FLASK**

(71) Applicant: **Beaute Prestige International**, Paris (FR)

(72) Inventor: **Rémy Gomez**, Paris (FR)

(73) Assignee: **Beaute Prestige International** (FR)

(**) Term: **14 Years**

(21) Appl. No.: **29/486,345**

(22) Filed: **Mar. 28, 2014**

(30) **Foreign Application Priority Data**

Sep. 30, 2013 (EM) 002317834

(51) **LOC (10) Cl.** **09-01**

(52) **U.S. Cl.**
USPC **D9/560**; D9/544; D9/573

(58) **Field of Classification Search**
CPC B65D 1/00; B65D 1/02; B65D 1/40;
B65D 69/00; B65D 79/00; B65D 81/00;
B65D 83/00; B65D 83/14; B65D 83/38;
B65D 90/02; B65D 2501/0009; B65D
2501/0081
USPC D9/434-435, 439, 444-445, 516, 544,
D9/546, 559-560, 567, 572-575, 682,
D9/686-687, 693-694; D7/300, 300.1,
D7/598; D28/91.1; 215/379, 382; 220/660,
220/662, 669, 675

See application file for complete search history.

(56) **References Cited**

U.S. PATENT DOCUMENTS

D81,633 S *	7/1930	Wagner	D9/520
D90,558 S *	8/1933	Tricard	D9/560
D119,387 S *	3/1940	Higgins	D9/558
D253,455 S *	11/1979	Beene	D9/505
D259,173 S *	5/1981	Lauren	D9/560
D272,603 S *	2/1984	Dinand	D9/544
D519,844 S *	5/2006	Mansau	D9/573
D542,144 S *	5/2007	Herrmann	D9/560
D542,670 S *	5/2007	Herrmann	D9/560
D604,174 S *	11/2009	Rica	D9/560
D606,415 S *	12/2009	Lavigne et al.	D9/546
D678,074 S *	3/2013	De France	D9/560
D705,074 S *	5/2014	Della Valle	D9/560

* cited by examiner

Primary Examiner — Ian Simmons

Assistant Examiner — Dana L Meyrow

(74) *Attorney, Agent, or Firm* — Hiscock & Barclay, LLP

(57) **CLAIM**

The ornamental design for a flask, as shown and described.

DESCRIPTION

FIG. 1 is a side perspective view of a flask according to my design;

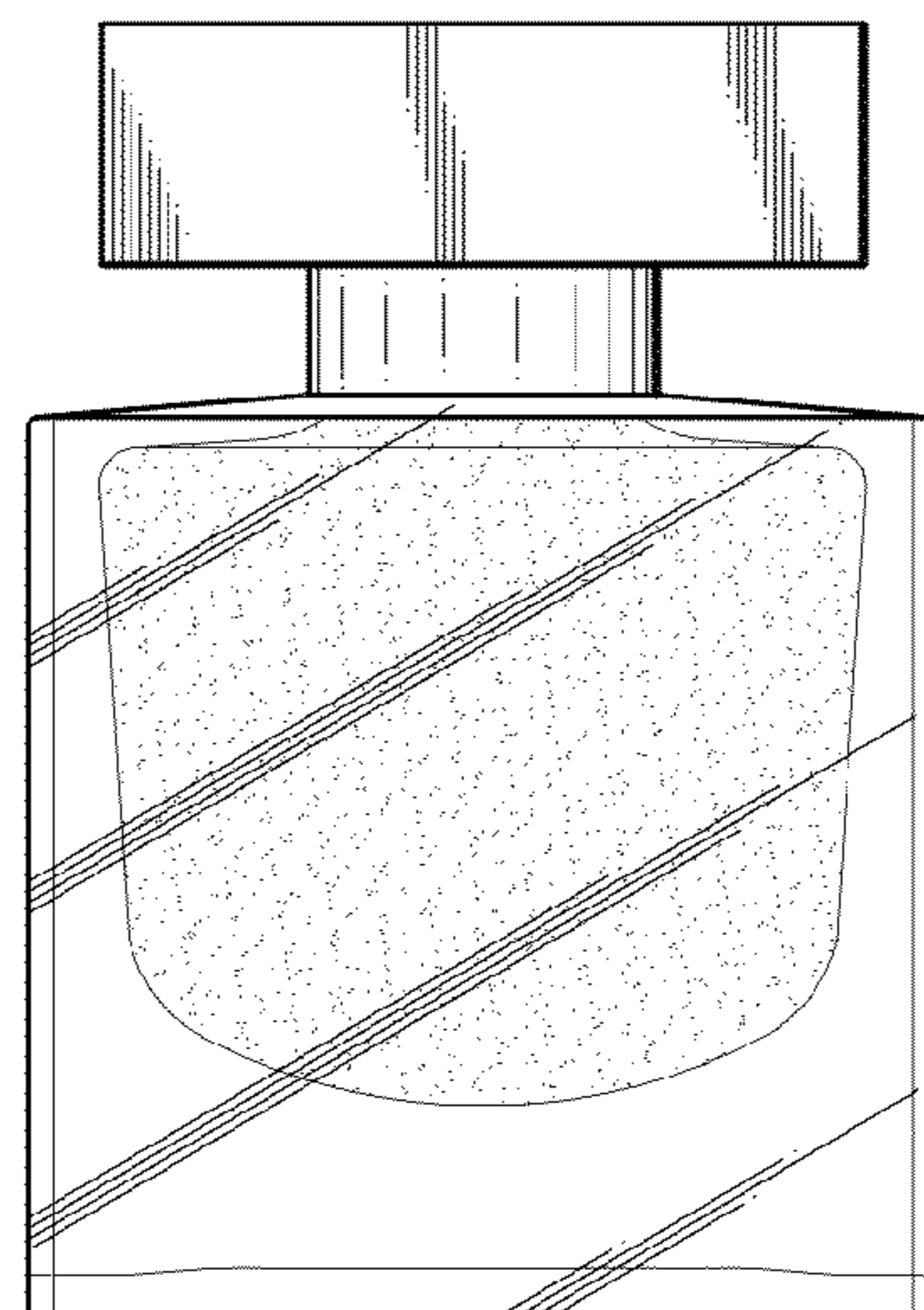
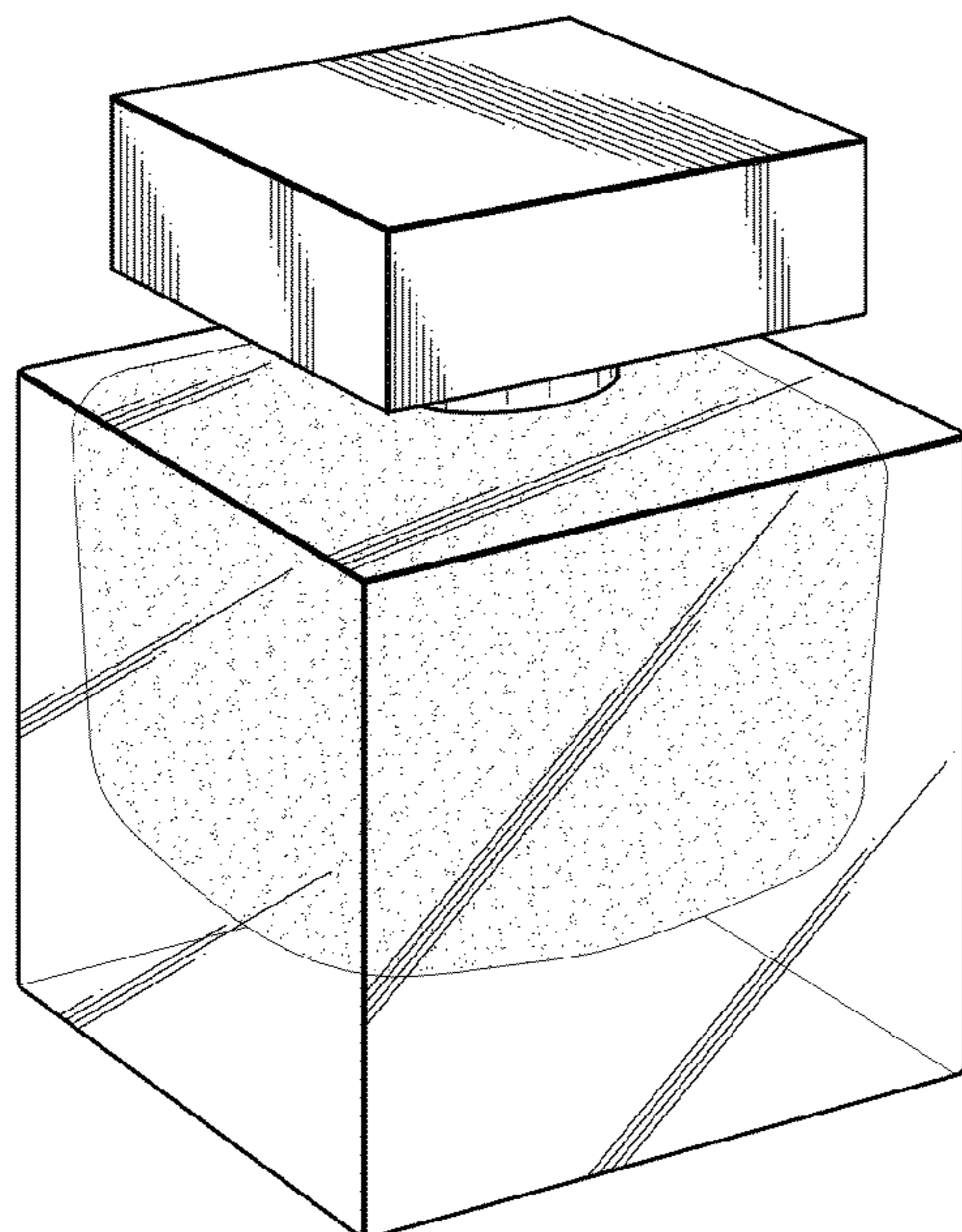
FIG. 2 is a side view, each of the remaining three (3) side views being mirror images thereof;

FIG. 3 is a top plan view thereof; and,

FIG. 4 is a bottom view thereof.

The stippling in the drawings illustrates a contrast in appearance.

1 Claim, 2 Drawing Sheets



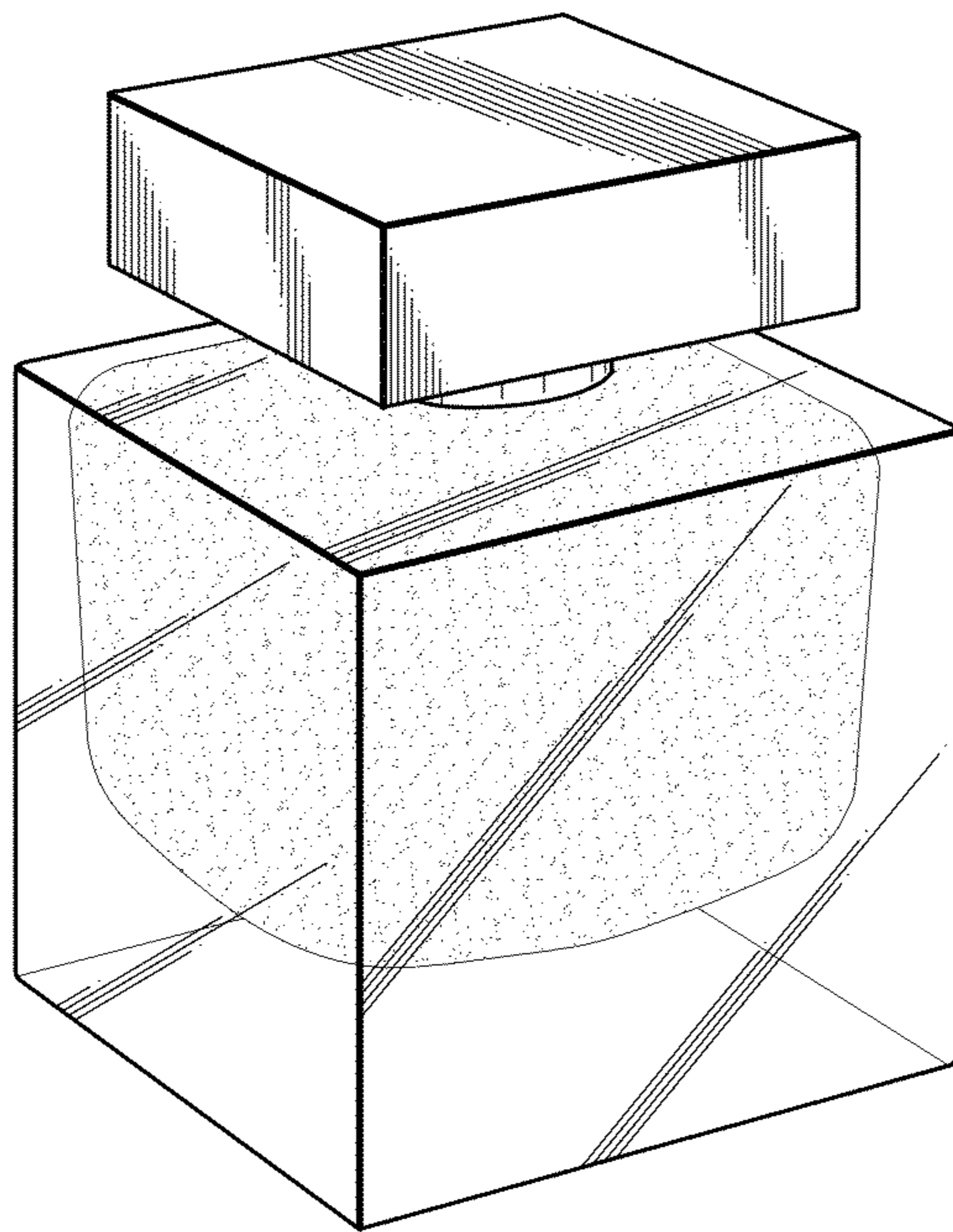


FIG. 1

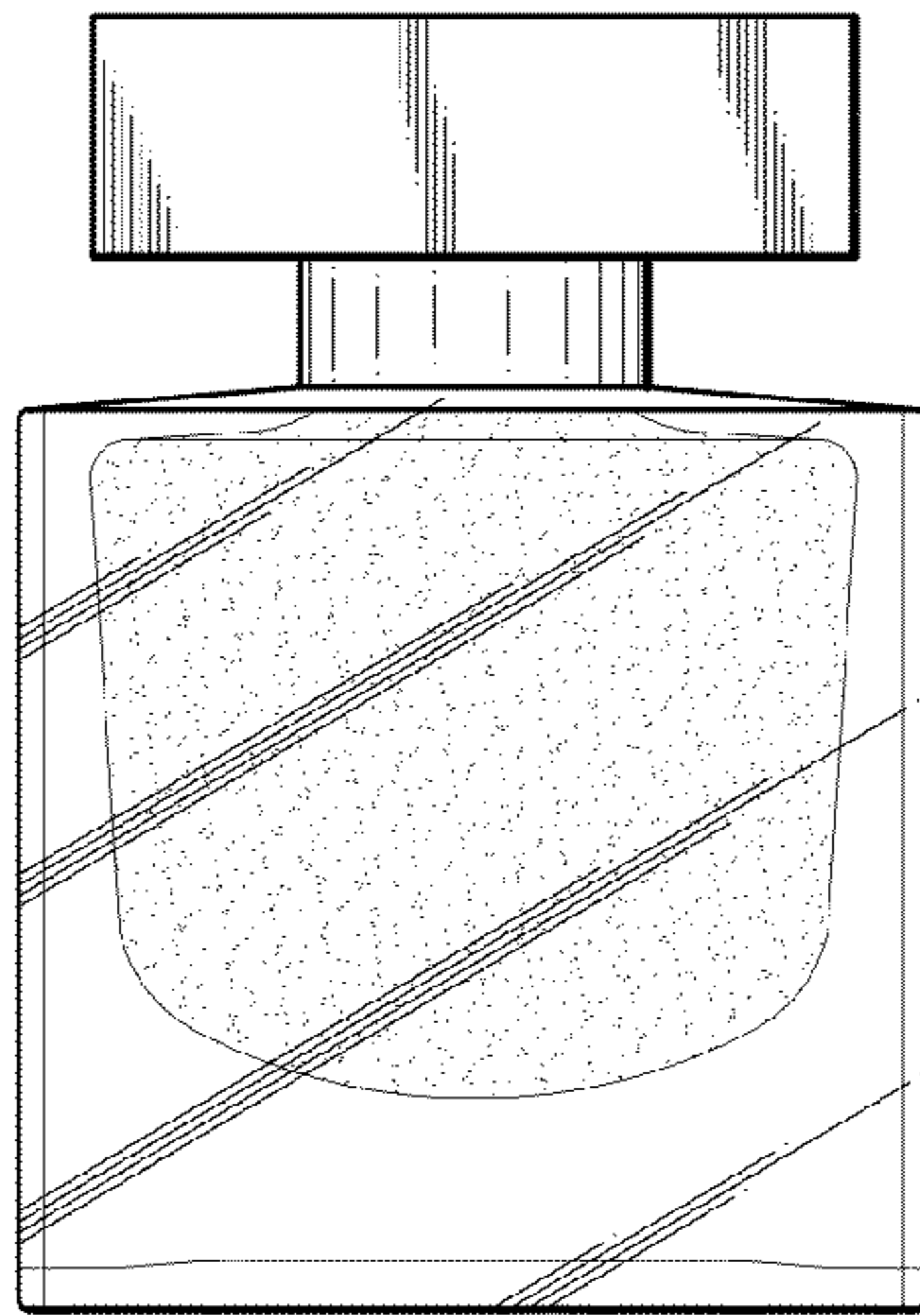


FIG. 2

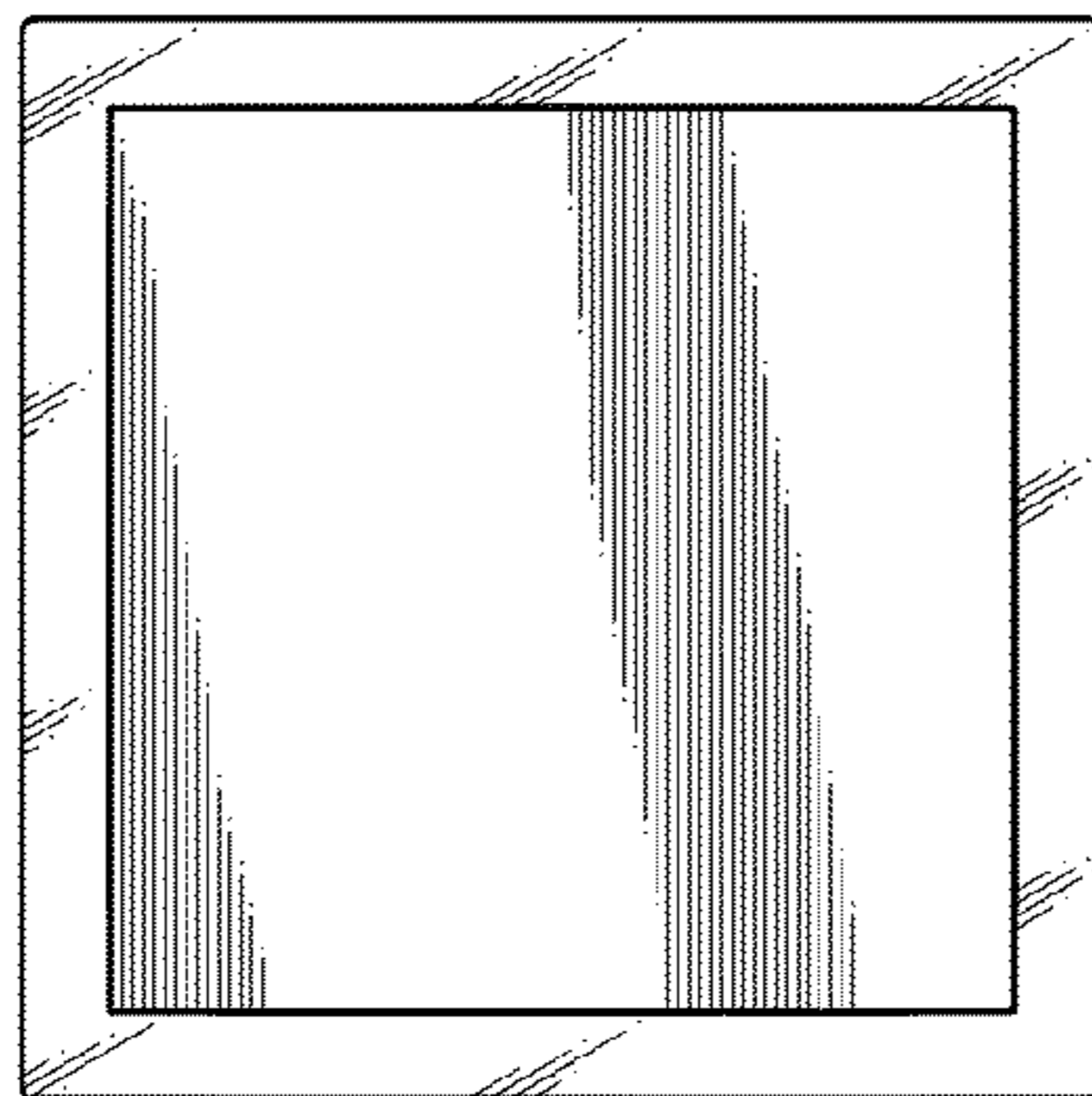


FIG. 3

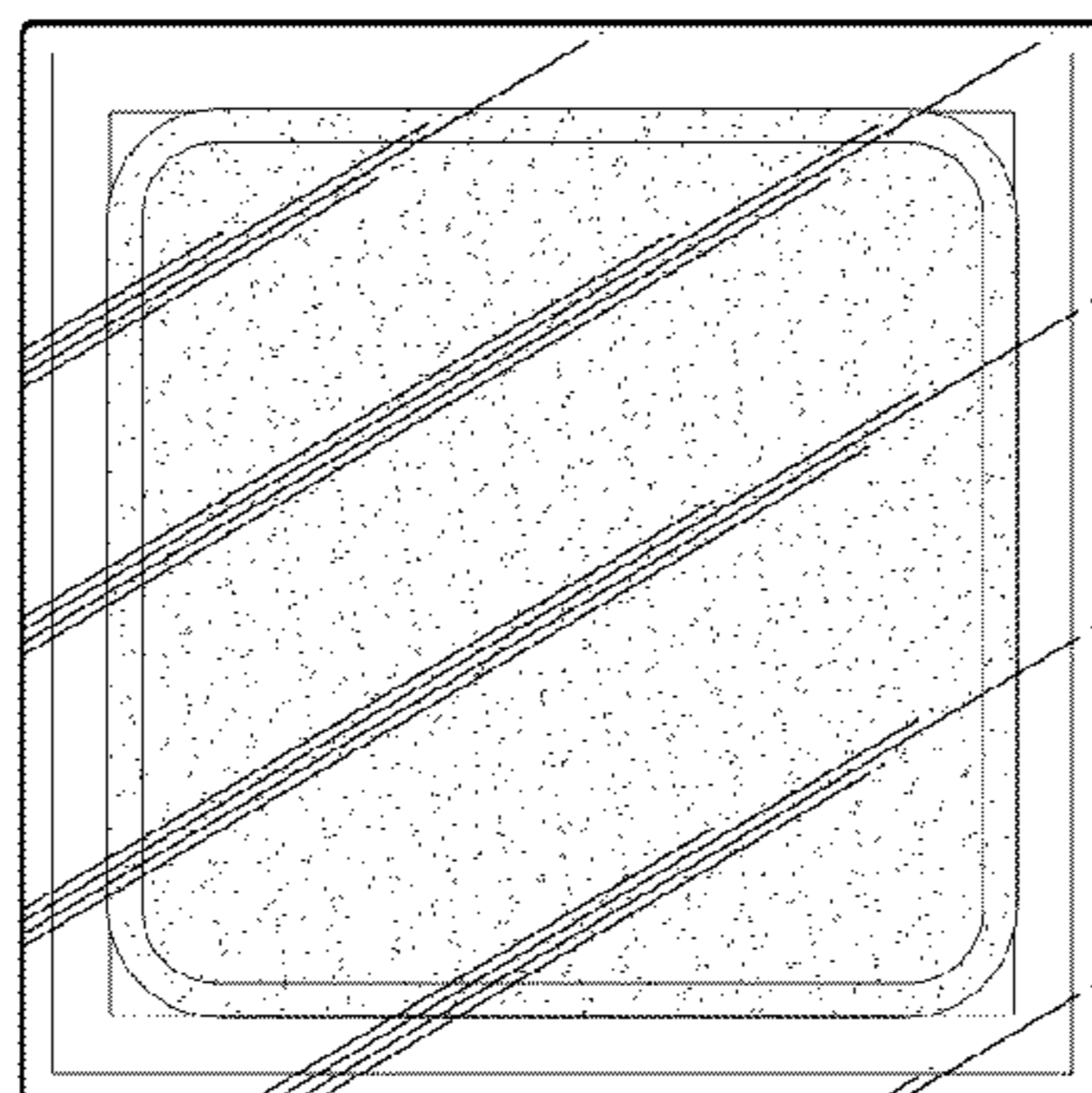


FIG. 4