



US00D717171S

(12) **United States Design Patent**
Delacourt et al.

(10) **Patent No.:** **US D717,171 S**

(45) **Date of Patent:** **** Nov. 11, 2014**

(54) **BOTTLE**

(75) Inventors: **Daniel Delacourt**, Feuquieres (FR);
David Delbreuve, Feuquieres (FR)

(73) Assignee: **Saverglass S.A.S.**, Feuquieres (FR)

(**) Term: **14 Years**

(21) Appl. No.: **29/418,616**

(22) Filed: **Apr. 18, 2012**

(51) **LOC (10) Cl.** **09-01**

(52) **U.S. Cl.**
USPC **D9/516; D9/500; D9/520**

(58) **Field of Classification Search**
USPC D9/500, 503–505, 516, 544–545, 549,
D9/558, 682, 686, 688–691, 520; D7/598;
215/379, 382, 370–371; 220/660, 662,
220/669–673, 675
See application file for complete search history.

(56) **References Cited**

U.S. PATENT DOCUMENTS

D178,225 S *	7/1956	Du Pree	D7/317
D181,714 S *	12/1957	Du Pree	D9/529
D326,811 S *	6/1992	Messer	D9/500
D390,470 S *	2/1998	Mahlmann et al.	D9/520
D449,531 S *	10/2001	Cooley	D9/500
D561,026 S *	2/2008	Rica	D9/500
D617,200 S *	6/2010	Goldburt	D9/540
D629,693 S *	12/2010	Rica	D9/516
D658,997 S *	5/2012	Potts	D9/500
D675,098 S *	1/2013	Gonzalez Rodriguez	D9/500
D678,068 S *	3/2013	Huang	D9/500
D679,187 S *	4/2013	Zuchetta	D9/500
D679,188 S *	4/2013	Zuchetta	D9/500
D679,600 S *	4/2013	Gonzalez Rodriguez	D9/500
D680,435 S *	4/2013	Wanet	D9/516

D682,697 S *	5/2013	Gonzalez Rodriguez	D9/500
D684,065 S *	6/2013	Wiseman	D9/652
D691,475 S *	10/2013	Potts	D9/500
D696,115 S *	12/2013	Smith	D9/500
D698,648 S *	2/2014	Letamendi	D9/500
D706,635 S *	6/2014	Lonsway et al.	D9/516
D707,560 S *	6/2014	Wallace et al.	D9/500

FOREIGN PATENT DOCUMENTS

DM	DM/079322	* 10/2012
WO	DM/079322	* 10/2012

OTHER PUBLICATIONS

Saverglass S.A.S., “Bellissima,” “Bamboo,” and “Ariane” designs, Saverglass Catalogue, 2009.

* cited by examiner

Primary Examiner — Ian Simmons

Assistant Examiner — Dana L Meyrow

(74) *Attorney, Agent, or Firm* — Design IP

(57) **CLAIM**

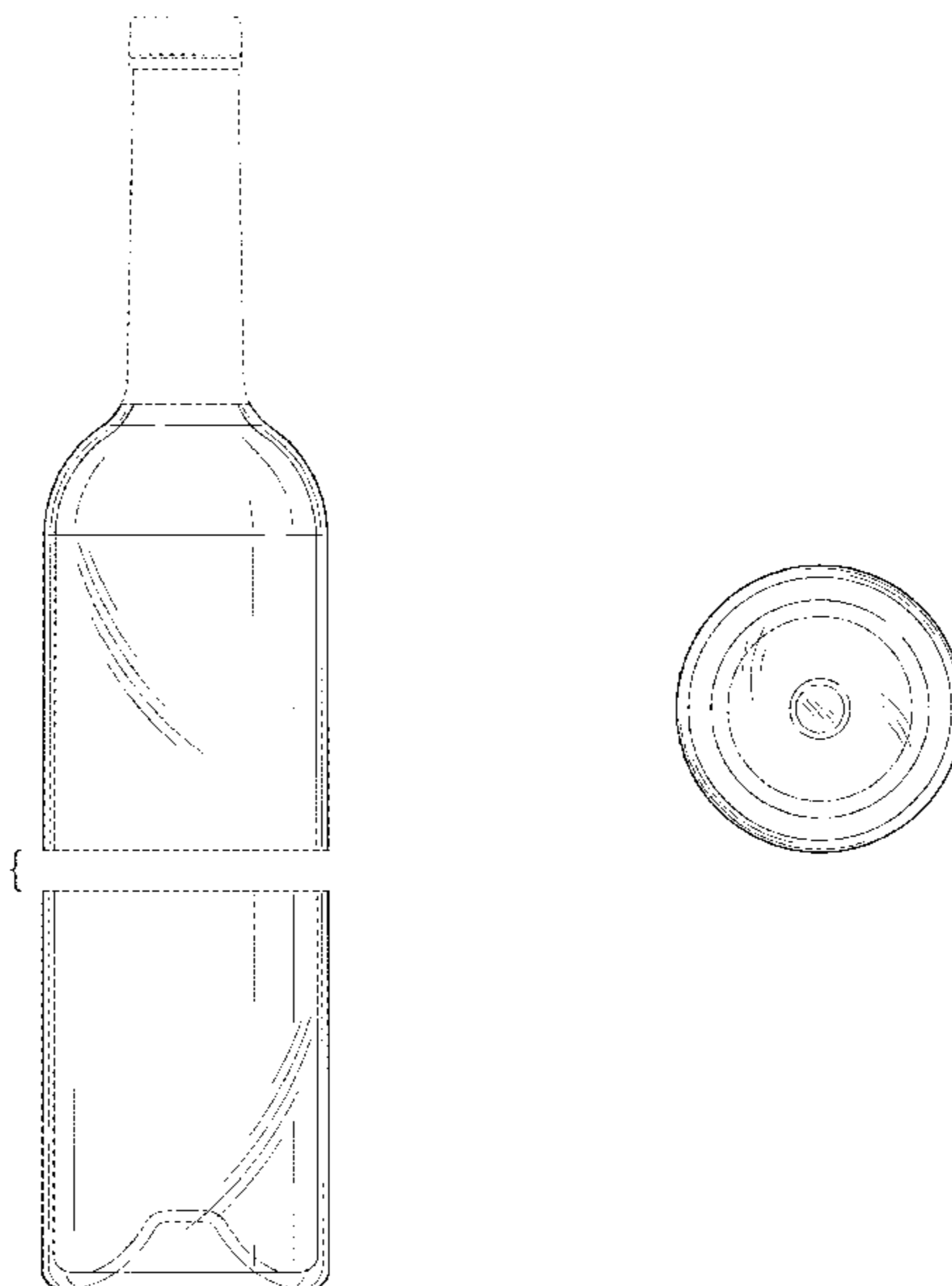
The ornamental design for a bottle, as shown and described.

DESCRIPTION

FIG. 1 is a front view of a bottle showing our design, the right side view, left side view and rear view being identical thereto; FIG. 2 is a top view thereof; and, FIG. 3 is a bottom view thereof.

The broken lines depicting a portion of the bottle neck and bottle top show unclaimed subject matter. The break lines shown in the middle of the body of the bottle and the racket interval indicate that the claim encompasses variable lengths. The dash-dot line appearing in FIGS. 1 through 3 represent an unclaimed border between claimed and unclaimed subject matter and forms no part of the claimed design.

1 Claim, 2 Drawing Sheets



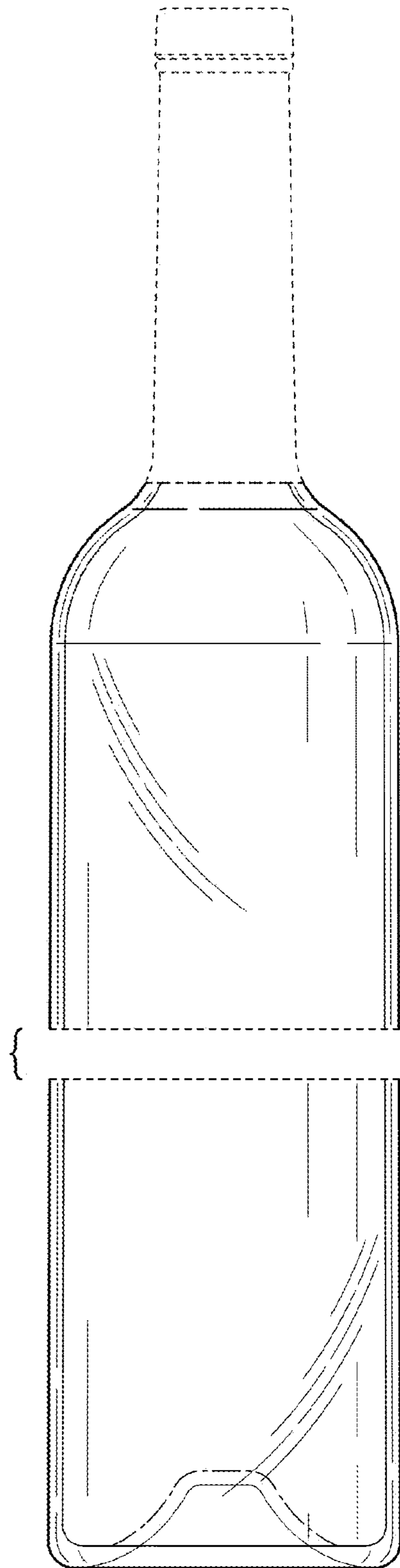


FIG. 1

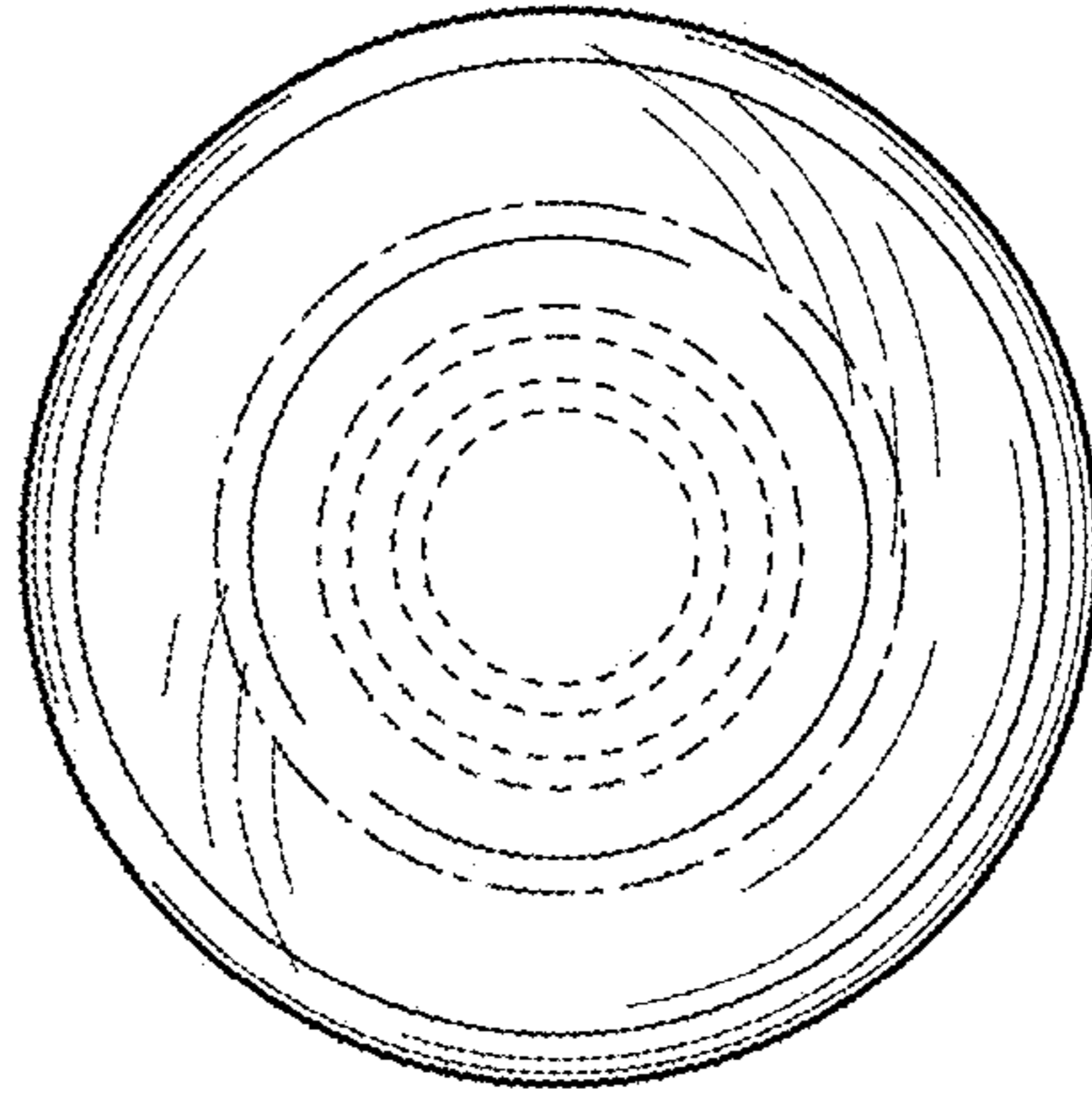


FIG. 2

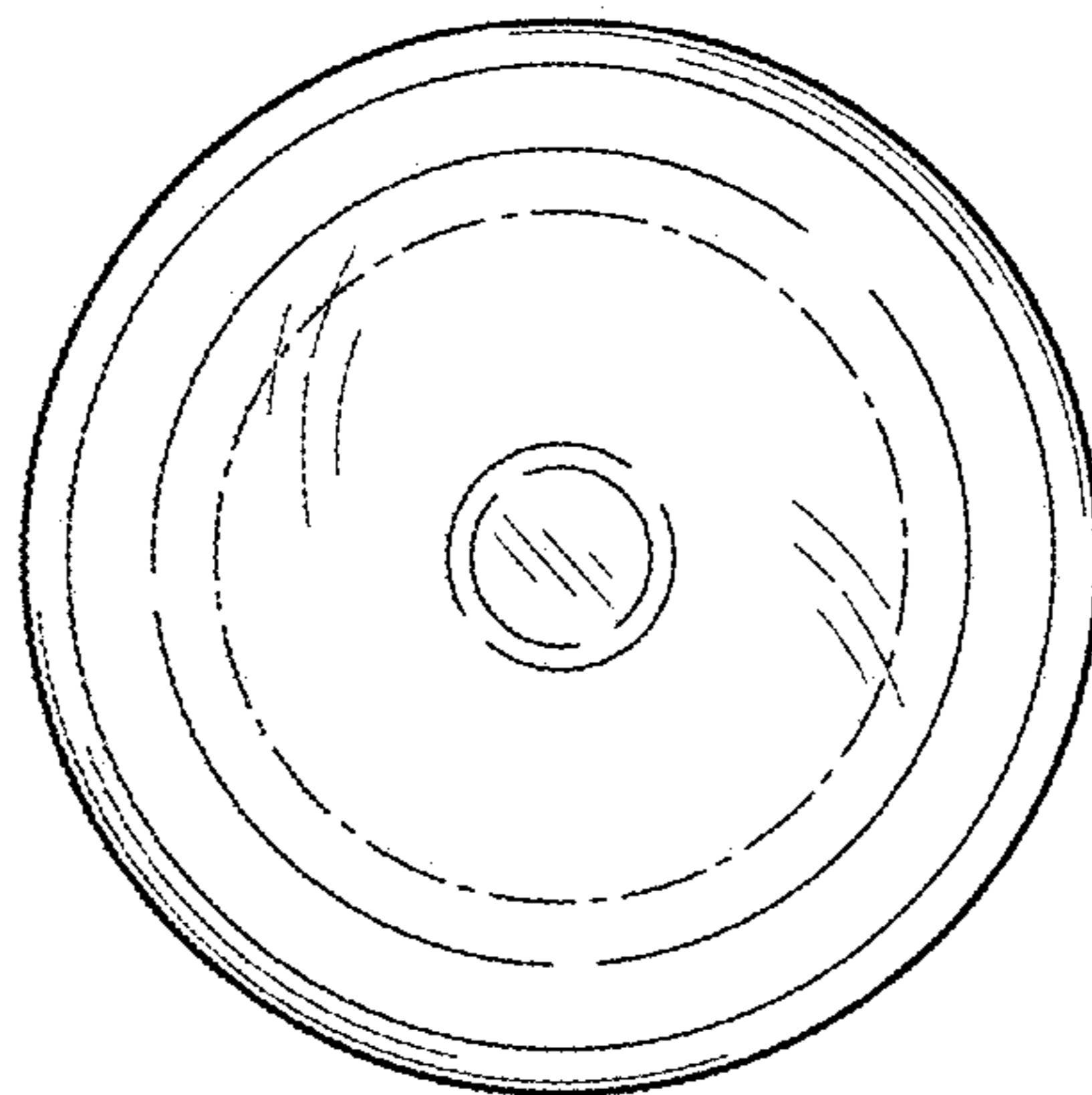


FIG. 3