

US00D717169S

(12) **United States Design Patent**  
**Blackburn**

(10) **Patent No.:** **US D717,169 S**

(45) **Date of Patent:** **\*\* Nov. 11, 2014**

(54) **PORTION DISTRIBUTION CLOSURE**

(71) Applicant: **Brett J. Blackburn**, Fox Point, WI (US)

(72) Inventor: **Brett J. Blackburn**, Fox Point, WI (US)

(\*\*) Term: **14 Years**

(21) Appl. No.: **29/479,837**

(22) Filed: **Jan. 21, 2014**

(51) **LOC (10) Cl.** ..... **09-07**

(52) **U.S. Cl.**  
USPC ..... **D9/449**

(58) **Field of Classification Search**  
CPC ..... B01D 35/153; A23G 9/28; B67D 1/0081;  
B67D 3/0032  
USPC ..... D6/452-545; D7/300, 321, 392.1,  
D7/396.2, 500, 507, 509, 510, 511, 900;  
D9/434-448, 452-455, 682, 685, 694,  
D9/449; 215/200, 235, 236, 252, 254, 329,  
215/355-364; 220/203.04-203.07, 220,  
220/254.1, 254.4, 556, 703, 704, 705  
See application file for complete search history.

(56) **References Cited**

**U.S. PATENT DOCUMENTS**

D99,327 S *	4/1936	Howie, Jr. ....	D9/453
D504,613 S *	5/2005	Lovell .....	D9/449
D603,703 S *	11/2009	Daggett .....	D9/449
D631,347 S *	1/2011	Rudolph et al. ....	D9/446
D633,202 S *	2/2011	Maeda et al. ....	D24/130
D655,160 S *	3/2012	Daniel .....	D9/447

D658,445 S *	5/2012	Carreno .....	D7/510
D673,253 S *	12/2012	Mack .....	D23/366
D686,040 S *	7/2013	Lane .....	D7/608
D700,802 S *	3/2014	Miller .....	D7/392.1
2008/0264961 A1 *	10/2008	Sawyer .....	220/810
2011/0220670 A1 *	9/2011	Poole et al. ....	220/739

\* cited by examiner

*Primary Examiner* — Robert M Spear

*Assistant Examiner* — Marissa J Cash

(74) *Attorney, Agent, or Firm* — Ziolkowski Patent Solutions Group, SC

(57) **CLAIM**

The ornamental design for a portion distribution closure, as shown and described.

**DESCRIPTION**

FIG. 1 is a perspective view of a portion distribution closure in accordance with the present invention.

FIG. 2 is a top view thereof;

FIG. 3 is a front elevational view thereof;

FIG. 4 is a rear elevational view thereof;

FIG. 5 is a left side elevational view thereof;

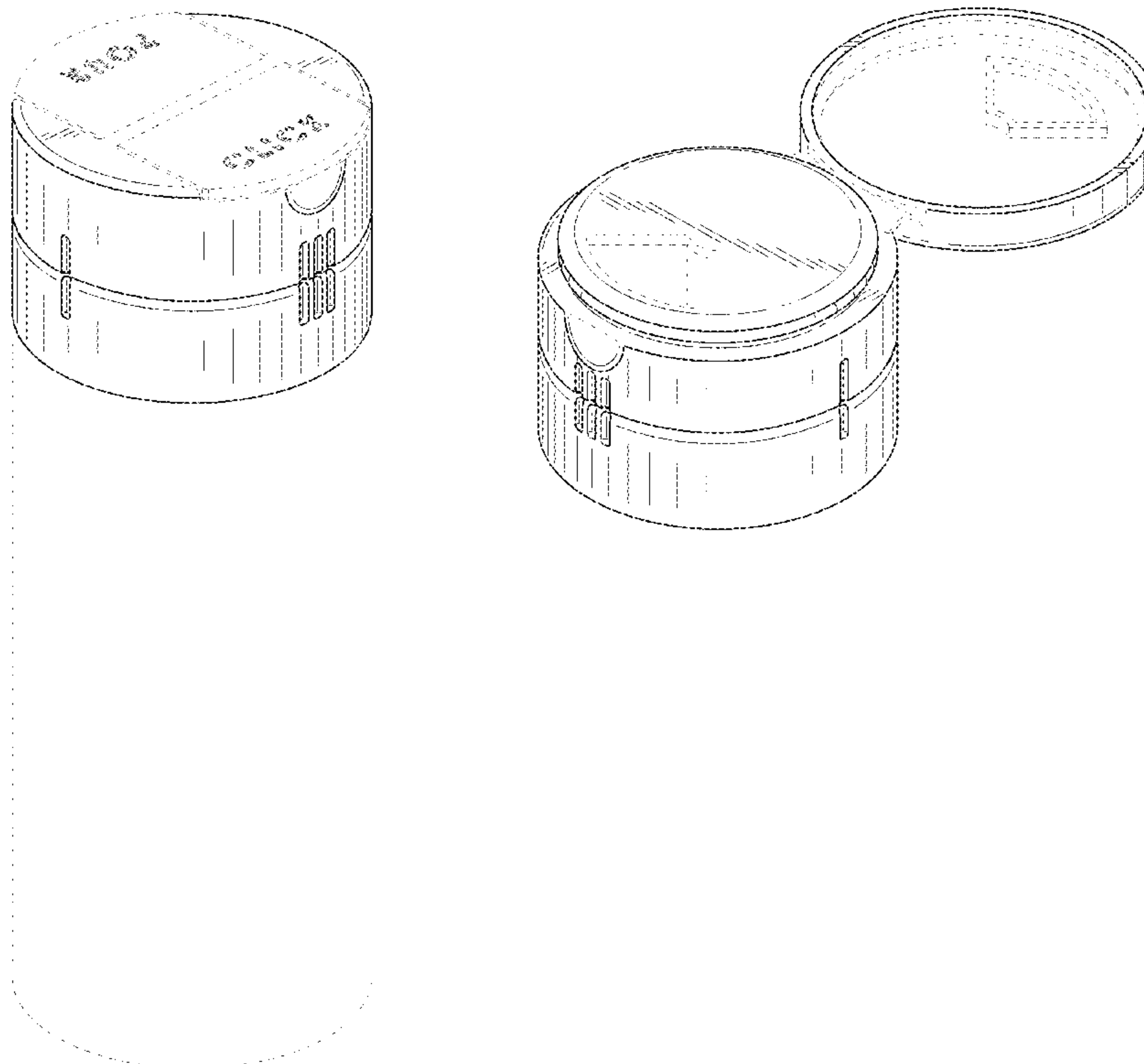
FIG. 6 is a right side elevational view thereof;

FIG. 7 is a bottom view thereof; and,

FIG. 8 is a perspective view of the portion distribution closure of FIG. 1, shown in an alternate configuration of use.

The broken lines in the drawing views are included for the purpose of illustrating portions of the portion distribution closure that form no part of the claimed design.

**1 Claim, 5 Drawing Sheets**



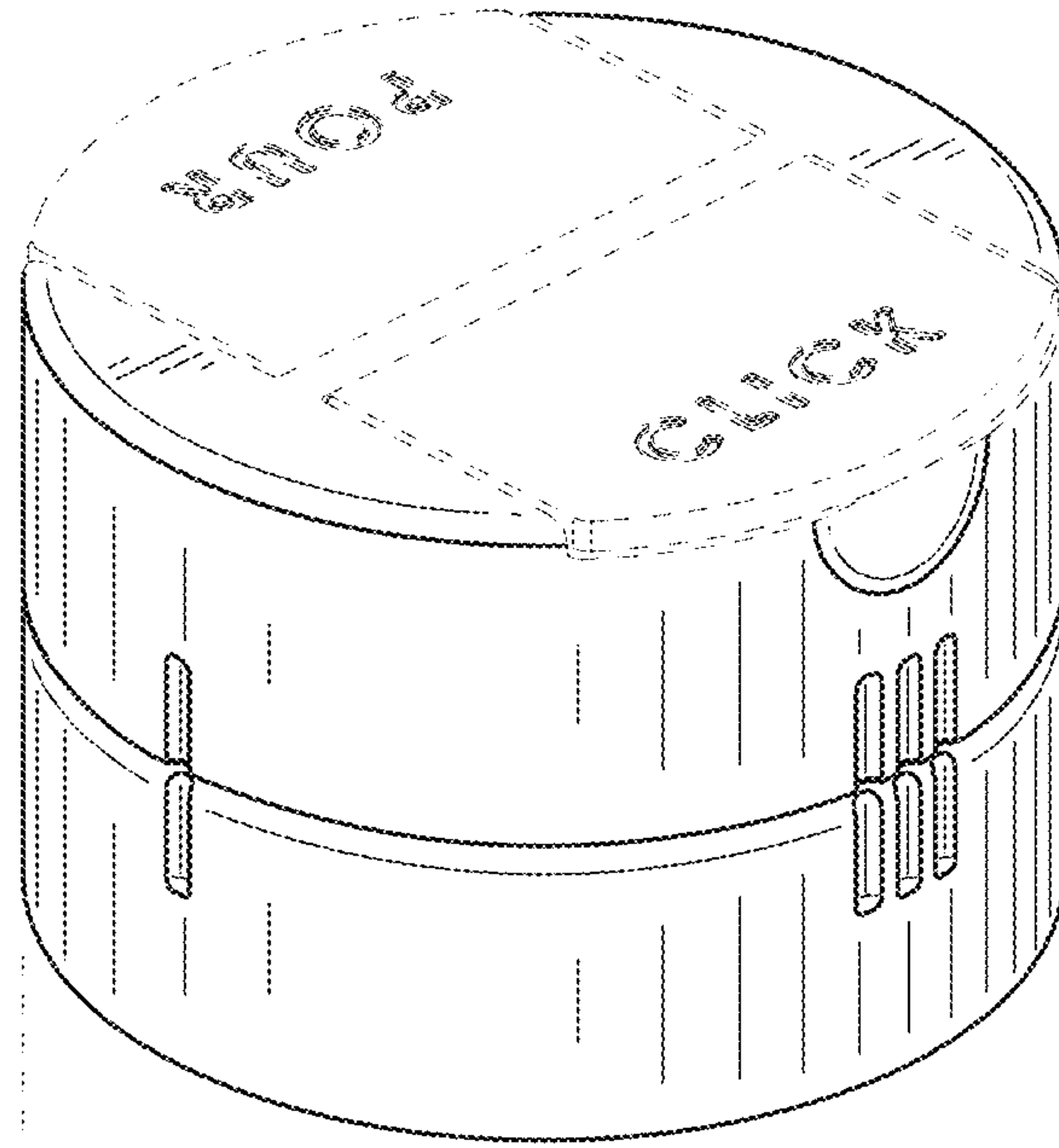


FIG. 1

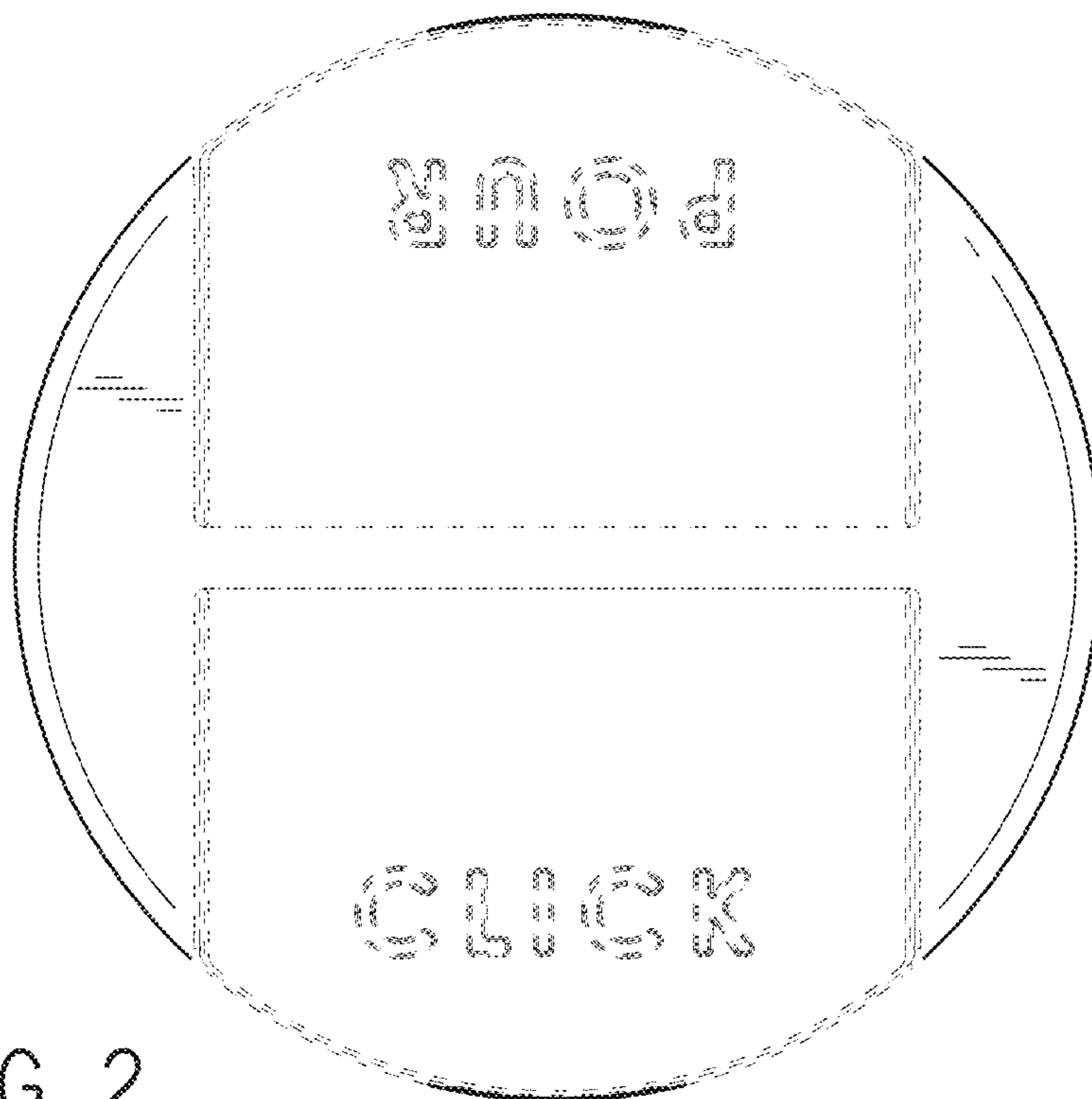


FIG. 2

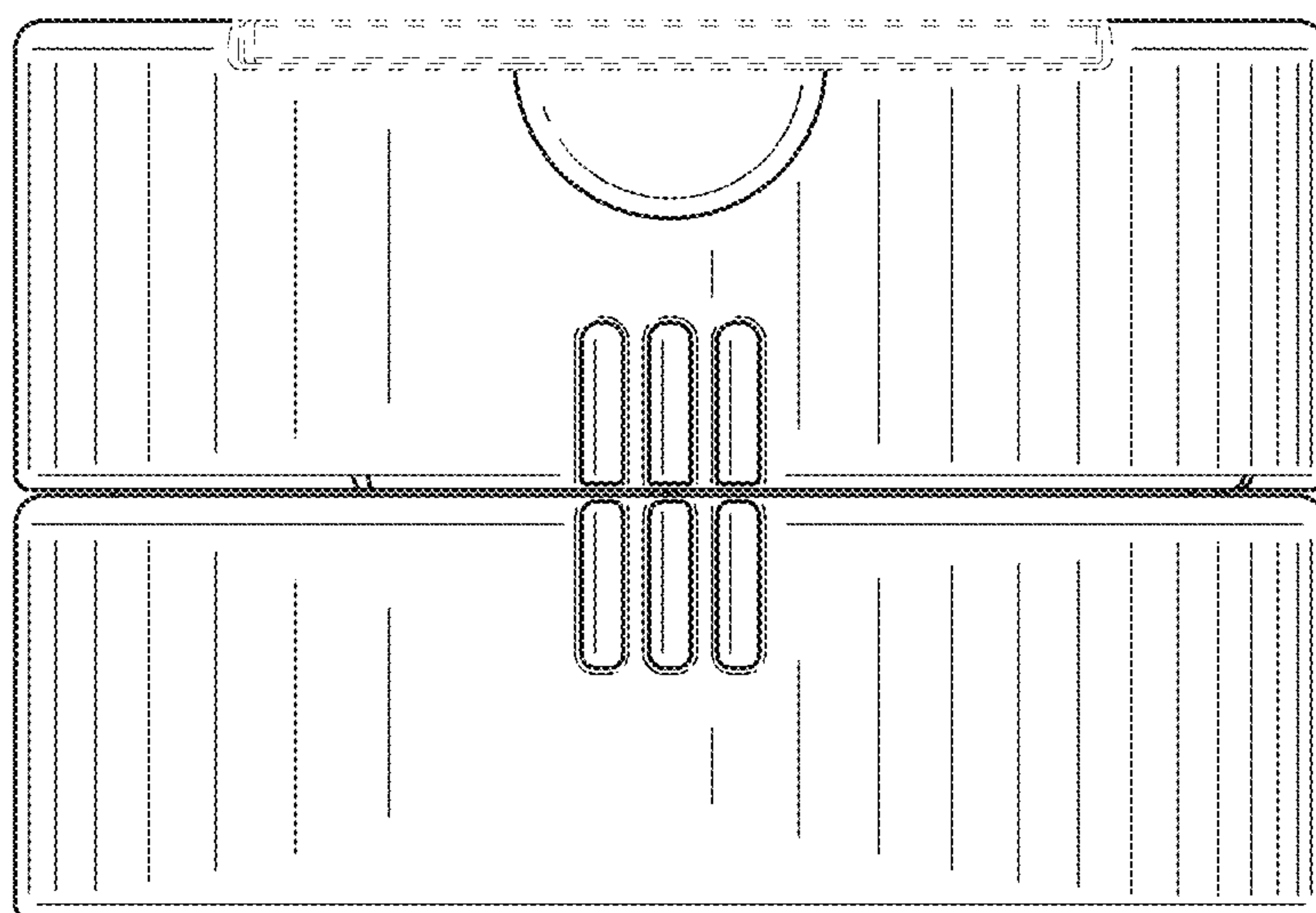


FIG. 3

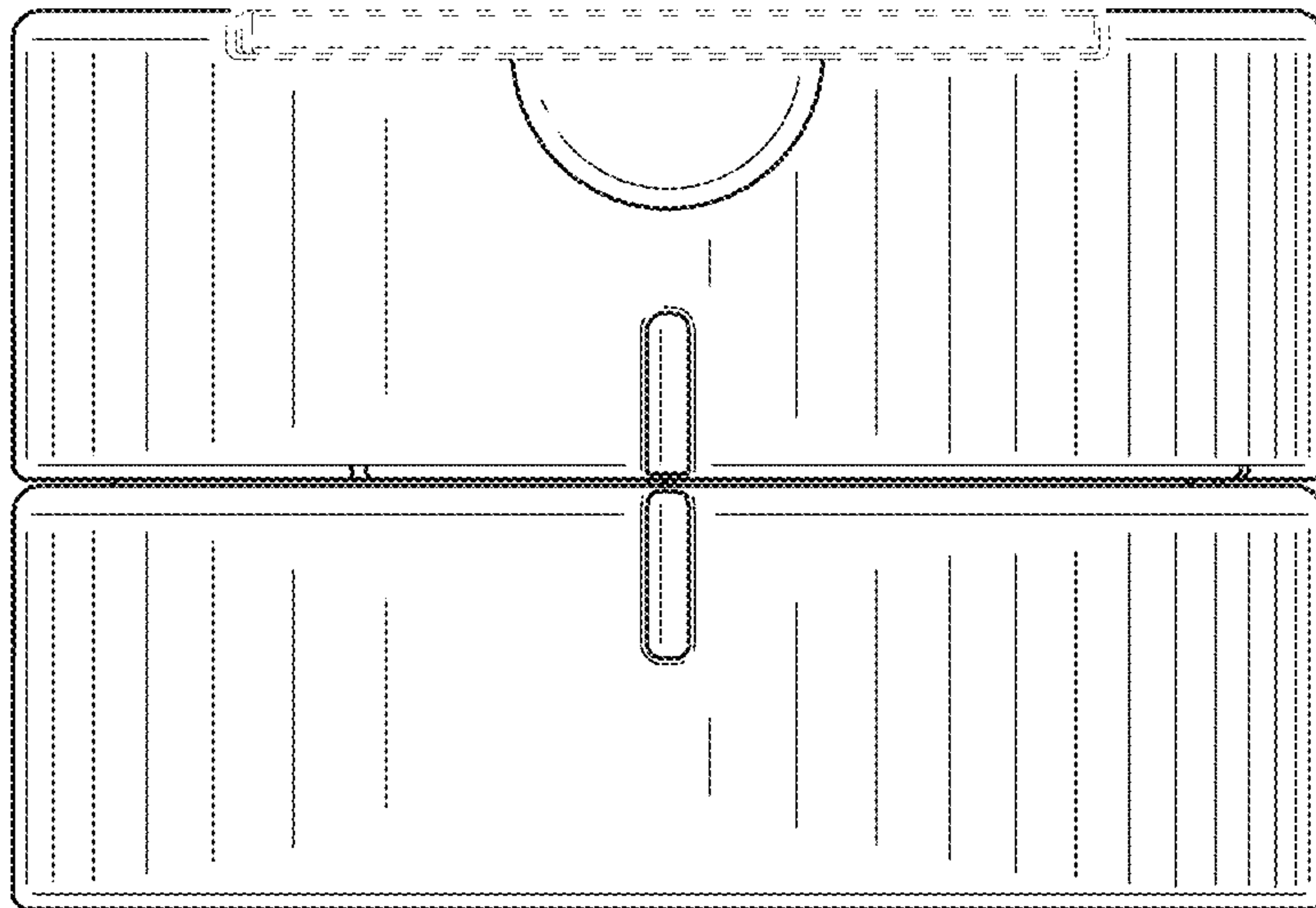


FIG. 4

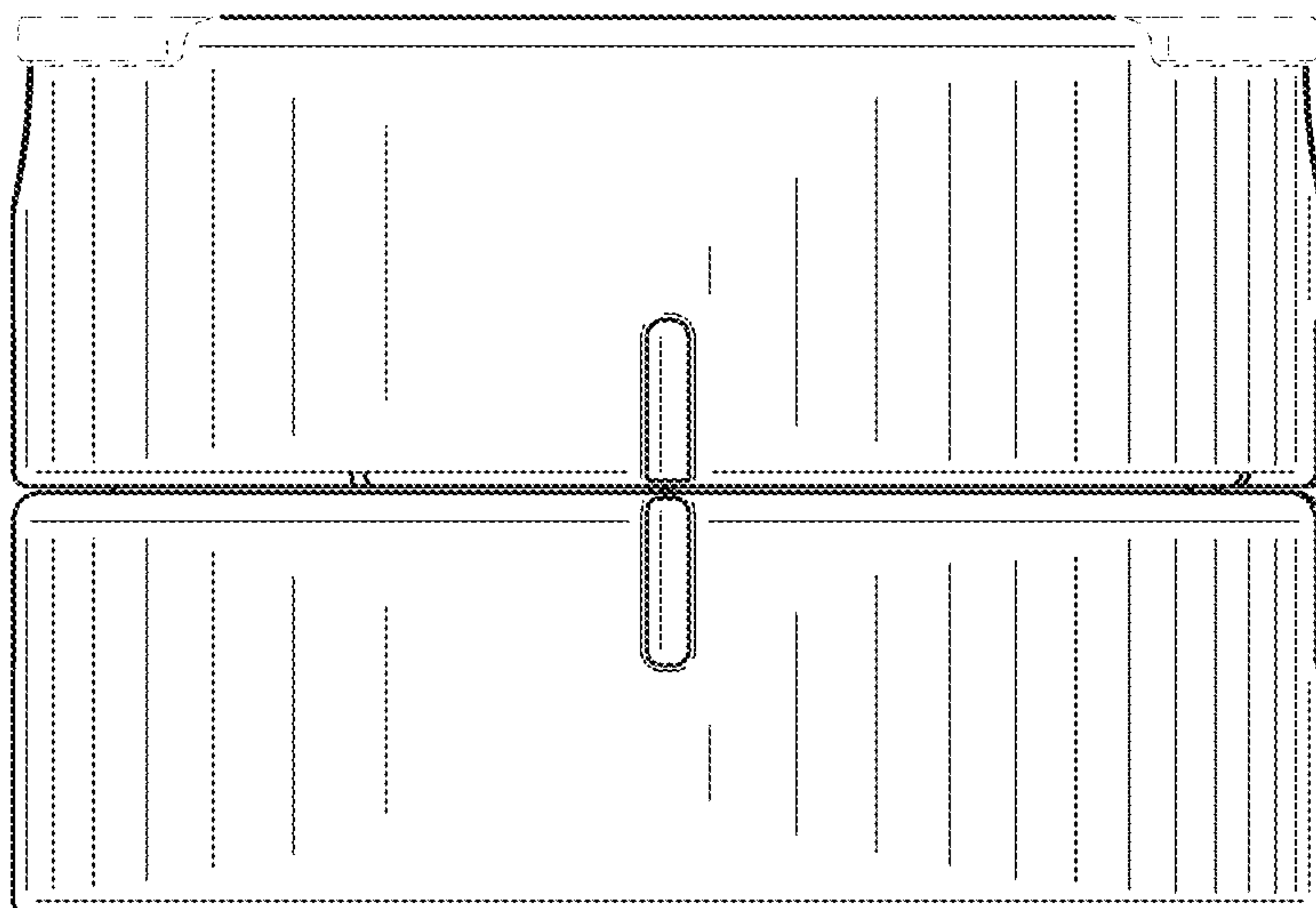


FIG. 5



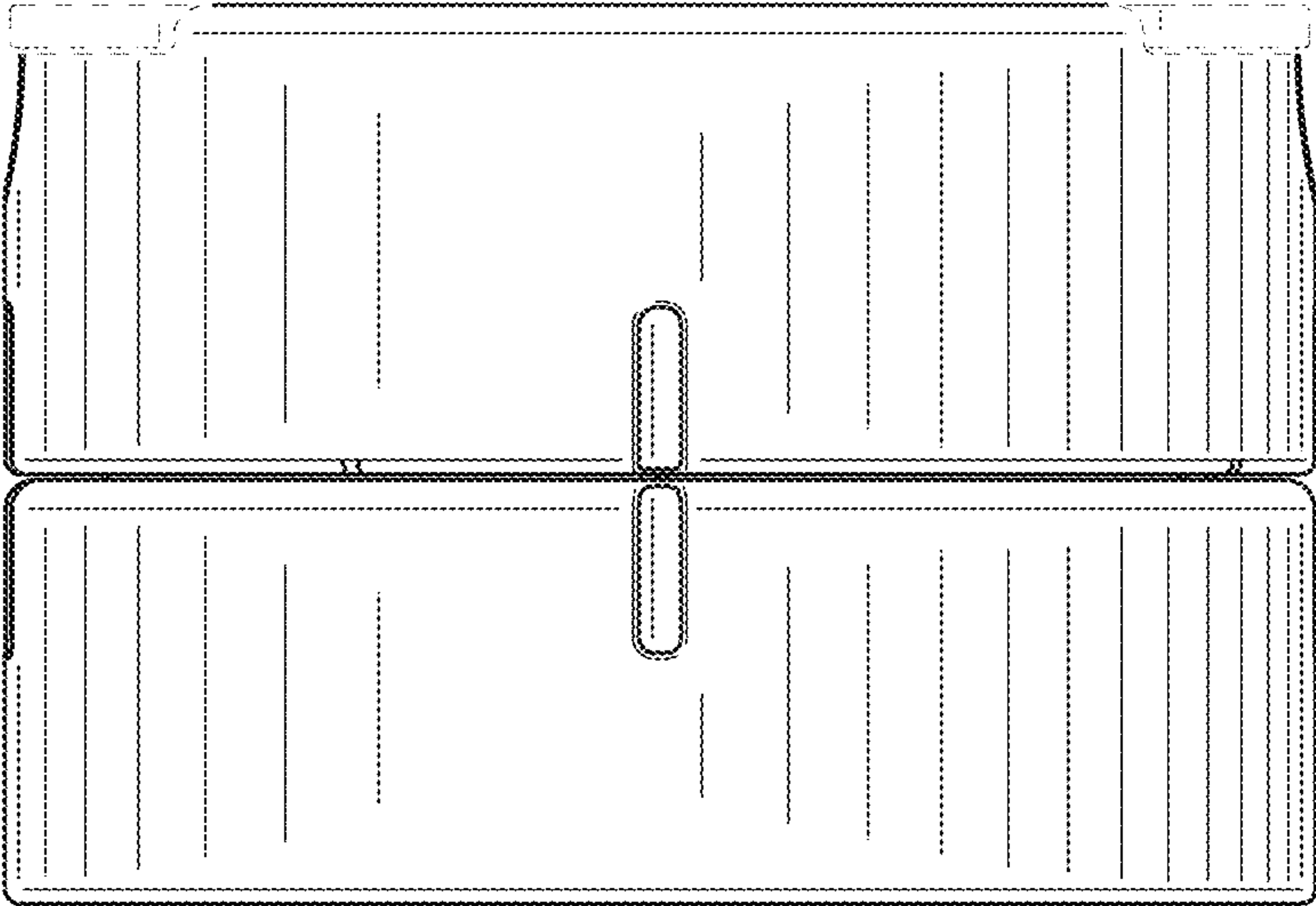


FIG. 6

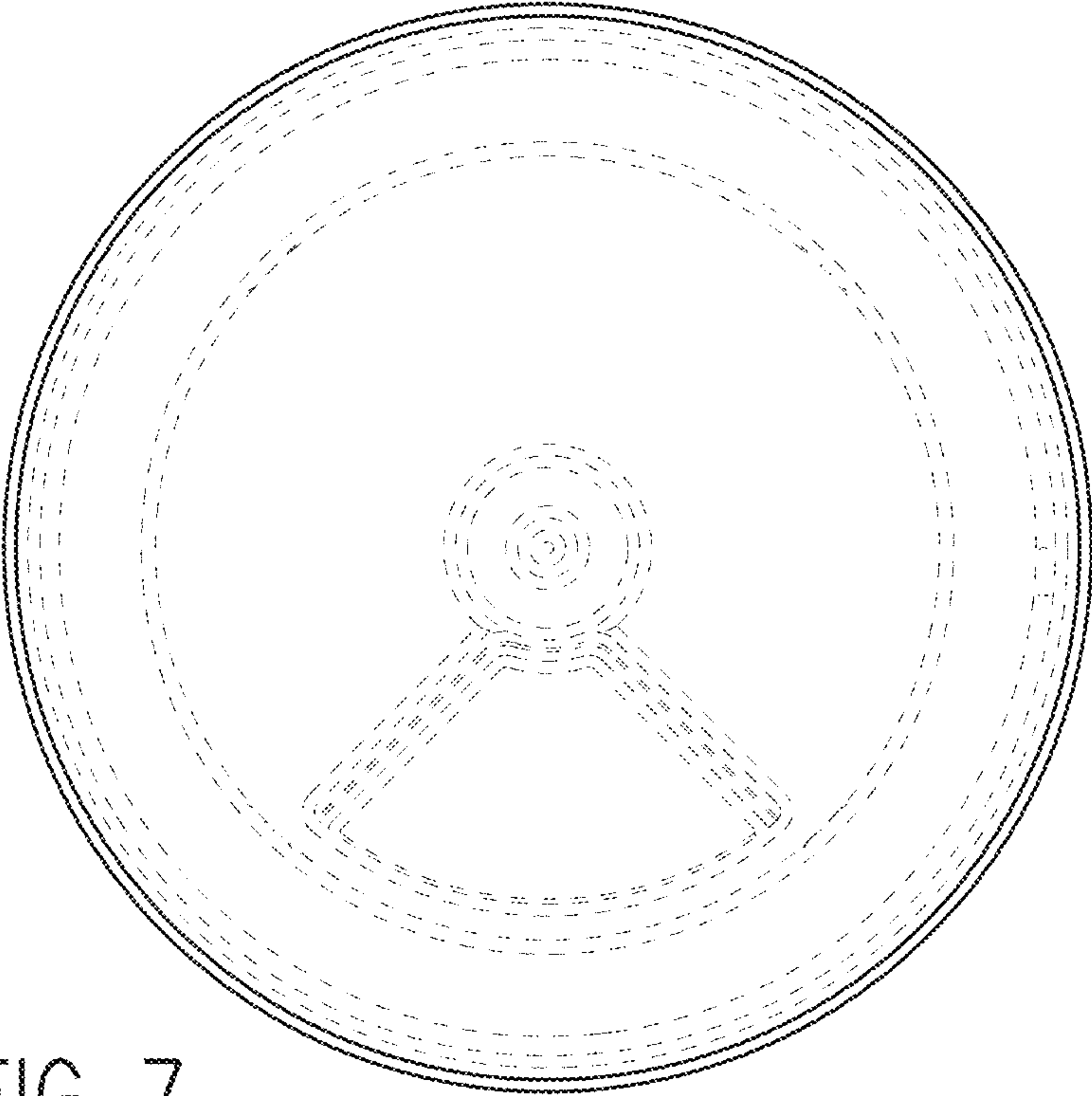


FIG. 7

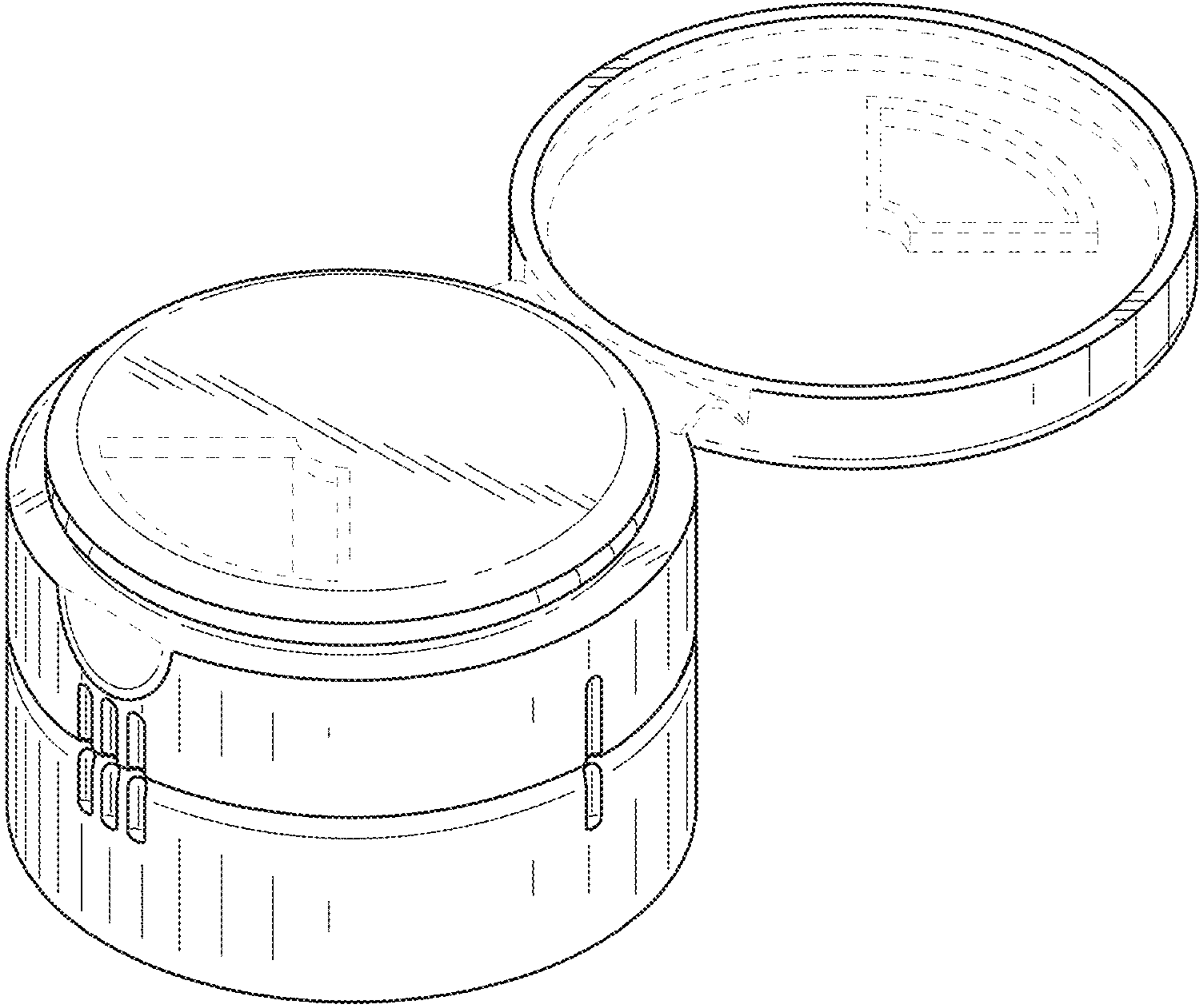


FIG. 8