



US00D717166S

(12) **United States Design Patent**
Lee et al.

(10) **Patent No.:** **US D717,166 S**
(45) **Date of Patent:** **** Nov. 11, 2014**

(54) **PACKAGING BOX**

(71) Applicant: **Samsung Electronics Co., Ltd.**,
Suwon-si (KR)
(72) Inventors: **Eun Ae Shally Lee**, Seoul (KR); **Ji-Hee Kwak**, Seoul (KR); **Il-Kyoung Kim**,
Suwon-si (KR); **Da-Hee Heo**, Yongin-si
(KR)
(73) Assignee: **Samsung Electronics Co., Ltd.**,
Suwon-si (KR)
(**) Term: **14 Years**

(21) Appl. No.: **29/472,717**

(22) Filed: **Nov. 15, 2013**

(30) **Foreign Application Priority Data**

May 15, 2013 (KR) 30-2013-0025614

(51) **LOC (10) Cl.** **09-03**

(52) **U.S. Cl.**
USPC **D9/432; D9/424**

(58) **Field of Classification Search**
CPC B29L 2031/7162; B29L 2031/7164;
B29L 2031/7166; B65D 1/22; B65D 1/34;
B65D 5/00; B65D 5/001; B65D 5/0025;
B65D 5/067-5/069; B65D 5/20; B65D 5/24;
B65D 5/42; B65D 5/46; B65D 5/64; B65D
5/72; B65D 5/74; B65D 21/00; B65D 43/162;
B65D 81/02; B65D 81/3813; B65D 71/12;
B65D 71/40; B65D 71/46
USPC D9/415-419, 420-425, 428, 429-435,
D9/535, 536, 541-543, 560, 708, 719,
D9/734; D3/203.2, 272, 273, 294, 298,
D3/302-304; D7/538-542, 601, 602, 629;
D14/435

See application file for complete search history.

(56) **References Cited**

U.S. PATENT DOCUMENTS

D159,884 S *	8/1950	Baldanza	D9/424
D263,797 S *	4/1982	Beauchamp	D9/424
D277,420 S *	1/1985	Bakic	D28/83
D280,678 S *	9/1985	Loscalzo et al.	D3/294
D345,304 S *	3/1994	Leader	D9/418
D406,233 S *	3/1999	Kaplan	D9/423
D459,886 S *	7/2002	Jones	D3/294
D527,182 S *	8/2006	Ham	D3/294
D554,990 S *	11/2007	Terrasi	D9/432
D584,142 S *	1/2009	Andre et al.	D9/432
D585,733 S *	2/2009	Feibelman	D9/423
D605,034 S *	12/2009	Sarantis	D9/430
D616,741 S *	6/2010	Andre et al.	D9/432
D676,655 S *	2/2013	Lin	D3/294

* cited by examiner

Primary Examiner — Susan Bennett Hattan

Assistant Examiner — Vy Koenig

(74) *Attorney, Agent, or Firm* — NSIP Law

(57) **CLAIM**

The ornamental design for a packaging box, as shown and described.

DESCRIPTION

FIG. 1 is a front perspective view of a packaging box showing our new design;

FIG. 2 is a front view thereof;

FIG. 3 is a rear view thereof;

FIG. 4 is a left-side view thereof;

FIG. 5 is a right-side view thereof;

FIG. 6 is a top view thereof;

FIG. 7 is a bottom view thereof; and,

FIG. 8 is an exploded perspective view of the packaging box, in which a tray for packaging box in broken lines is provided to illustrate an example environment.

The top and bottom portions of the packaging box are identical mirror images.

The broken lines depict environmental subject matter only and form no part of the claimed design.

1 Claim, 6 Drawing Sheets

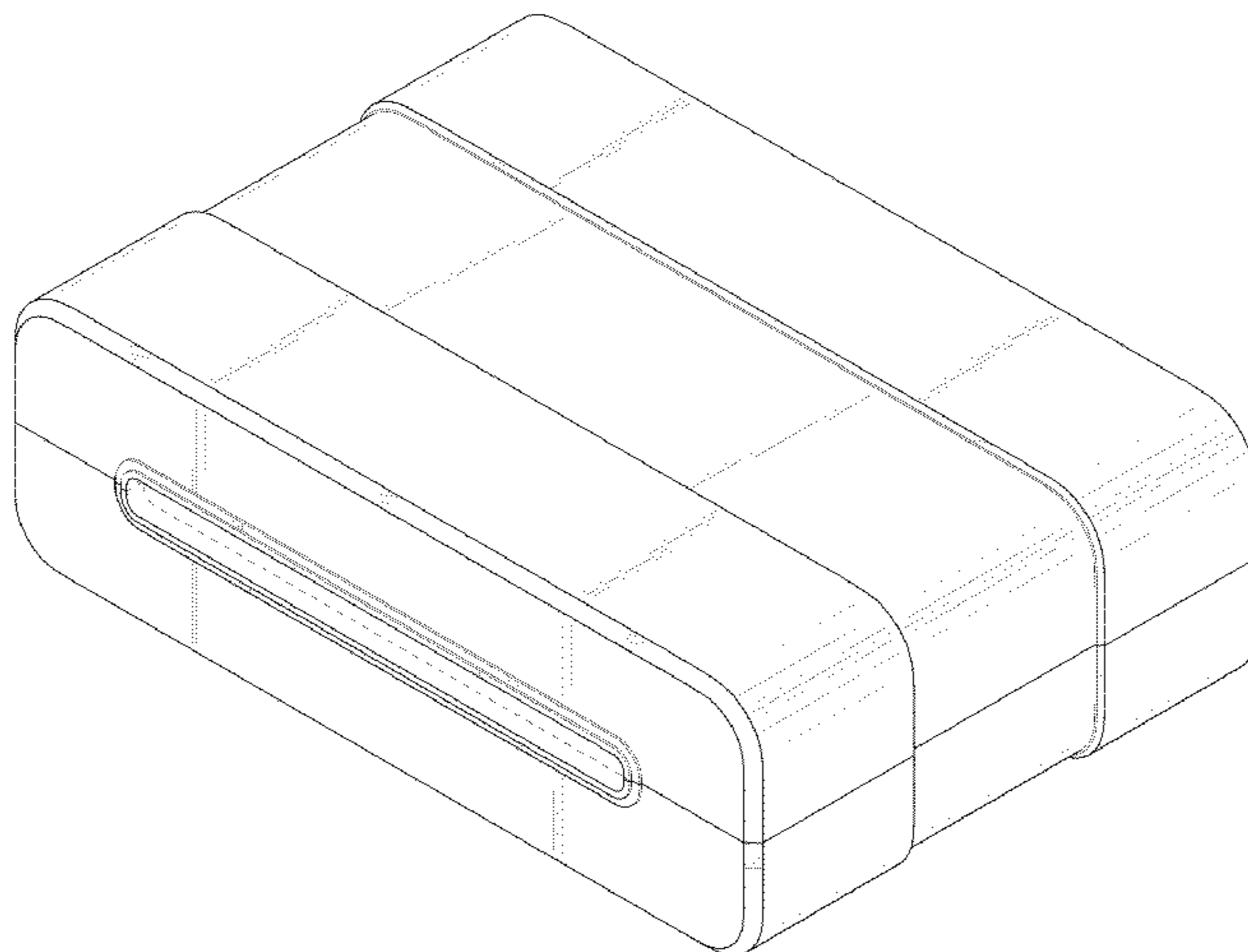


FIG.1

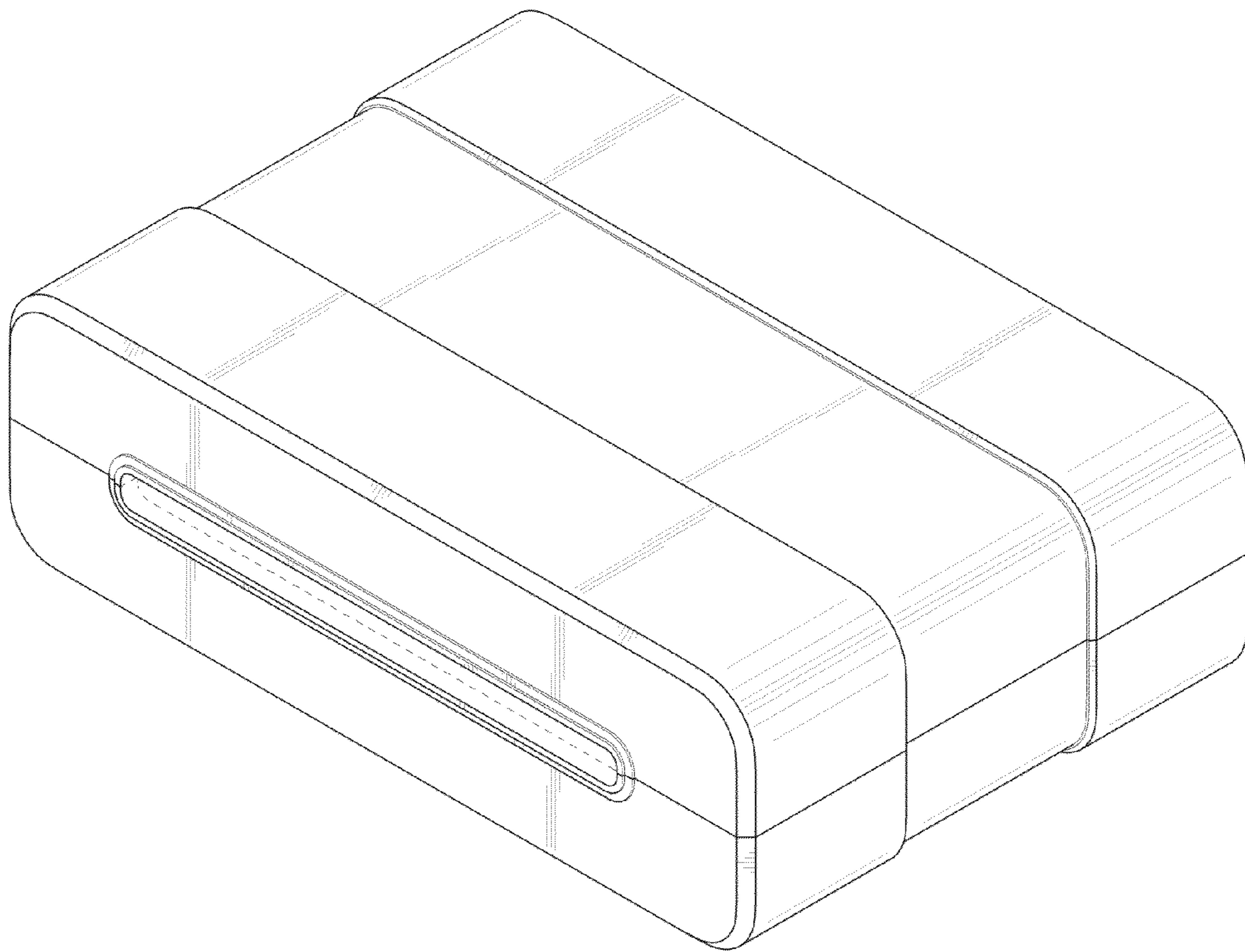


FIG.2

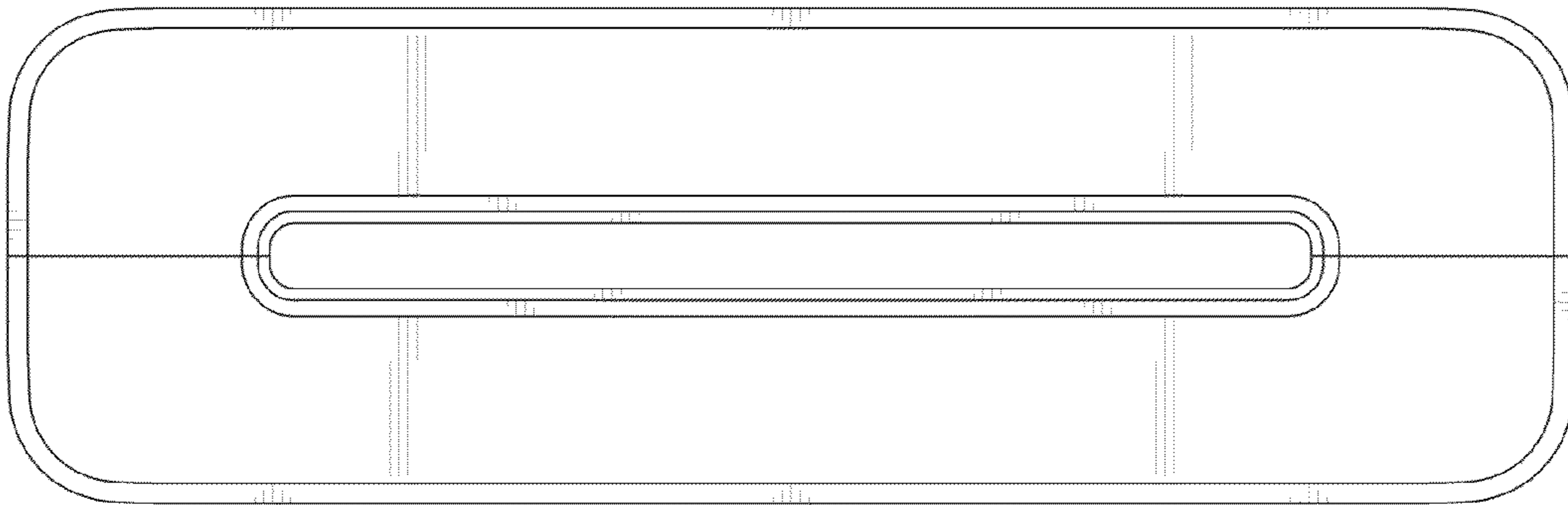


FIG.3

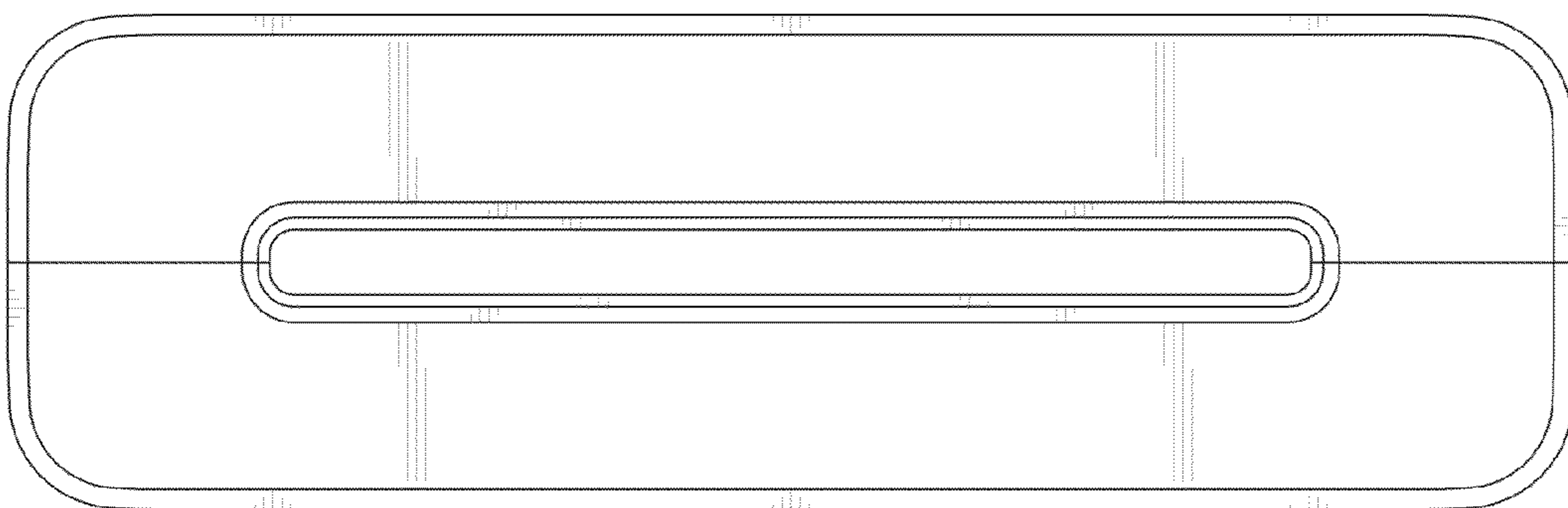


FIG.4

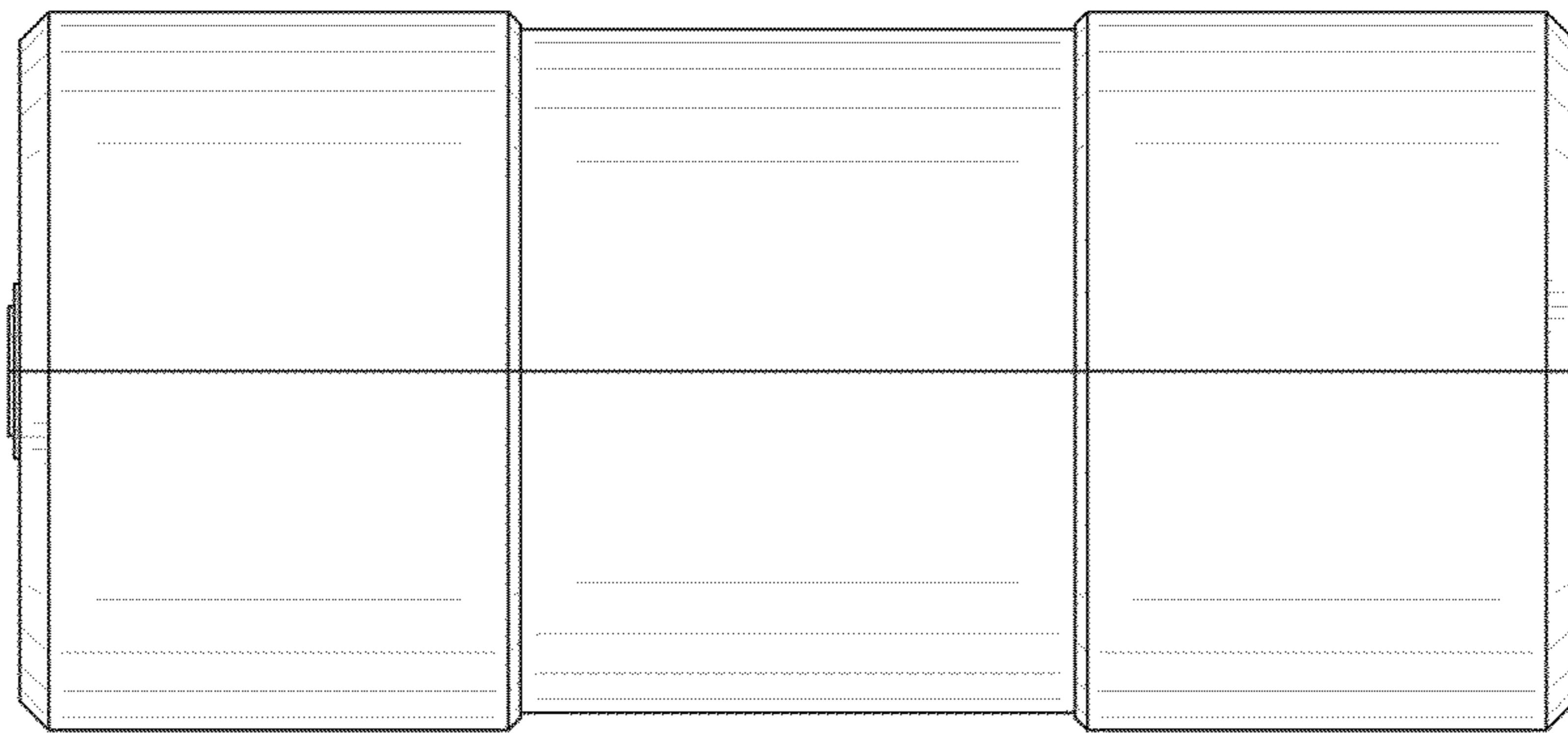


FIG.5

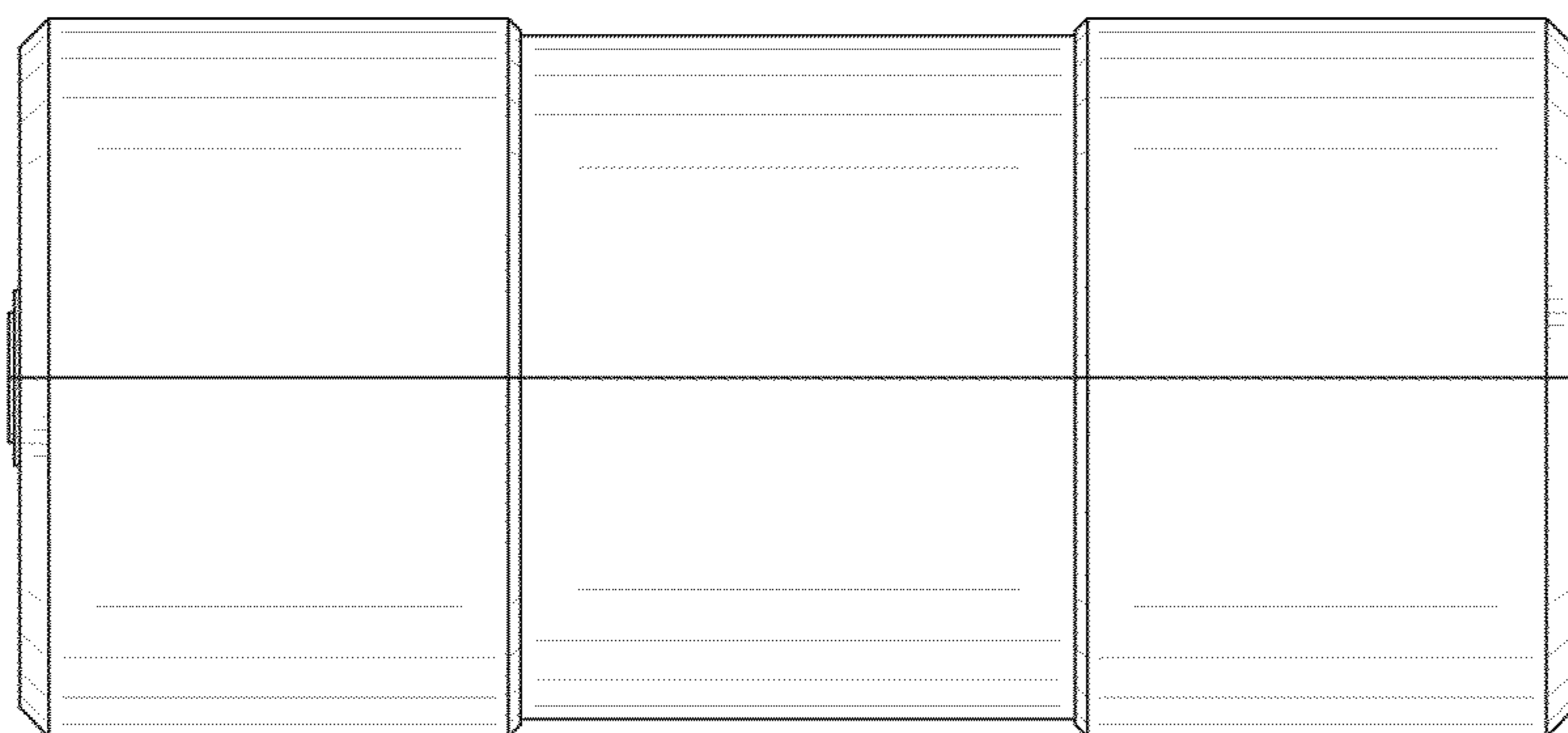


FIG.6

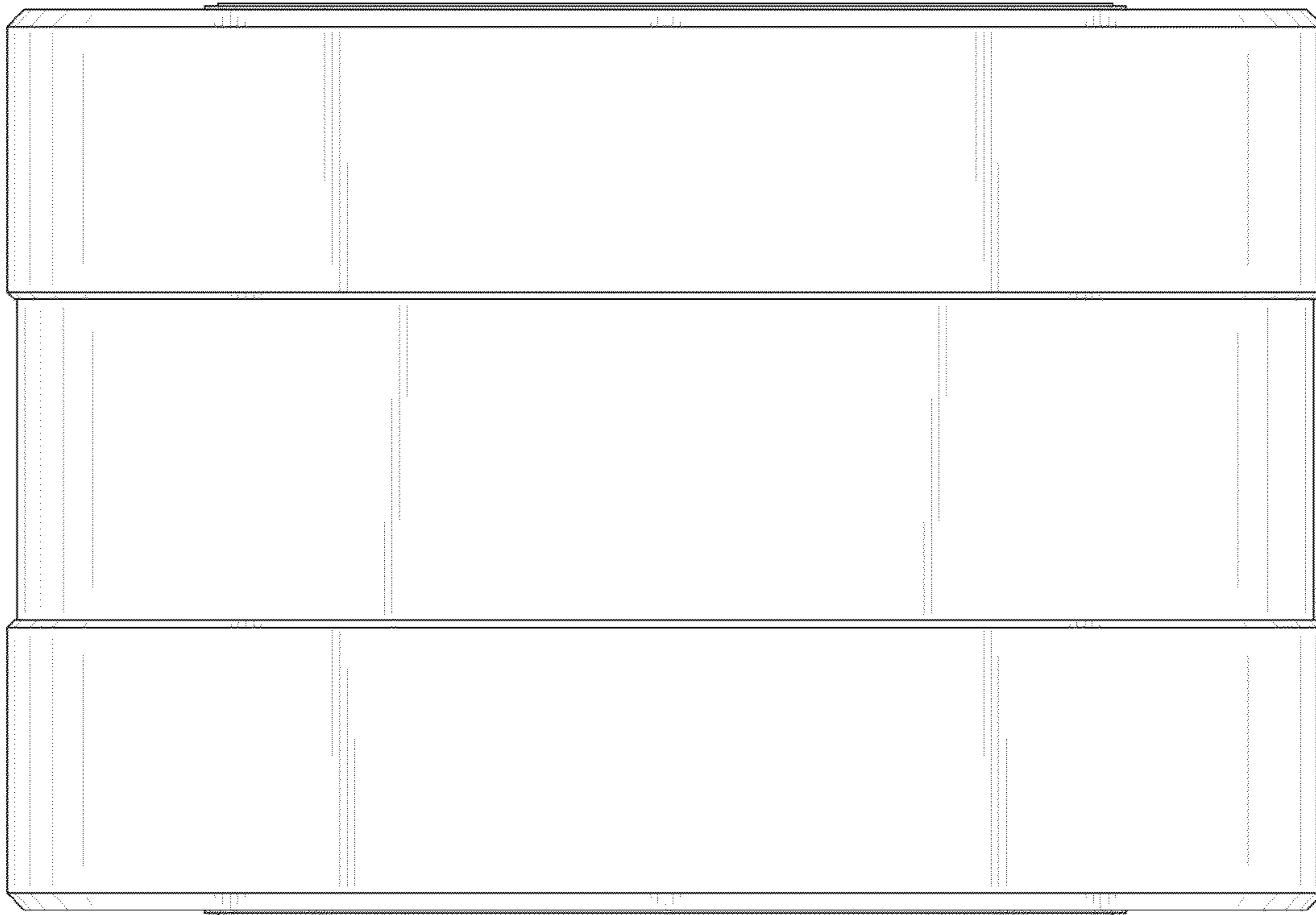


FIG.7

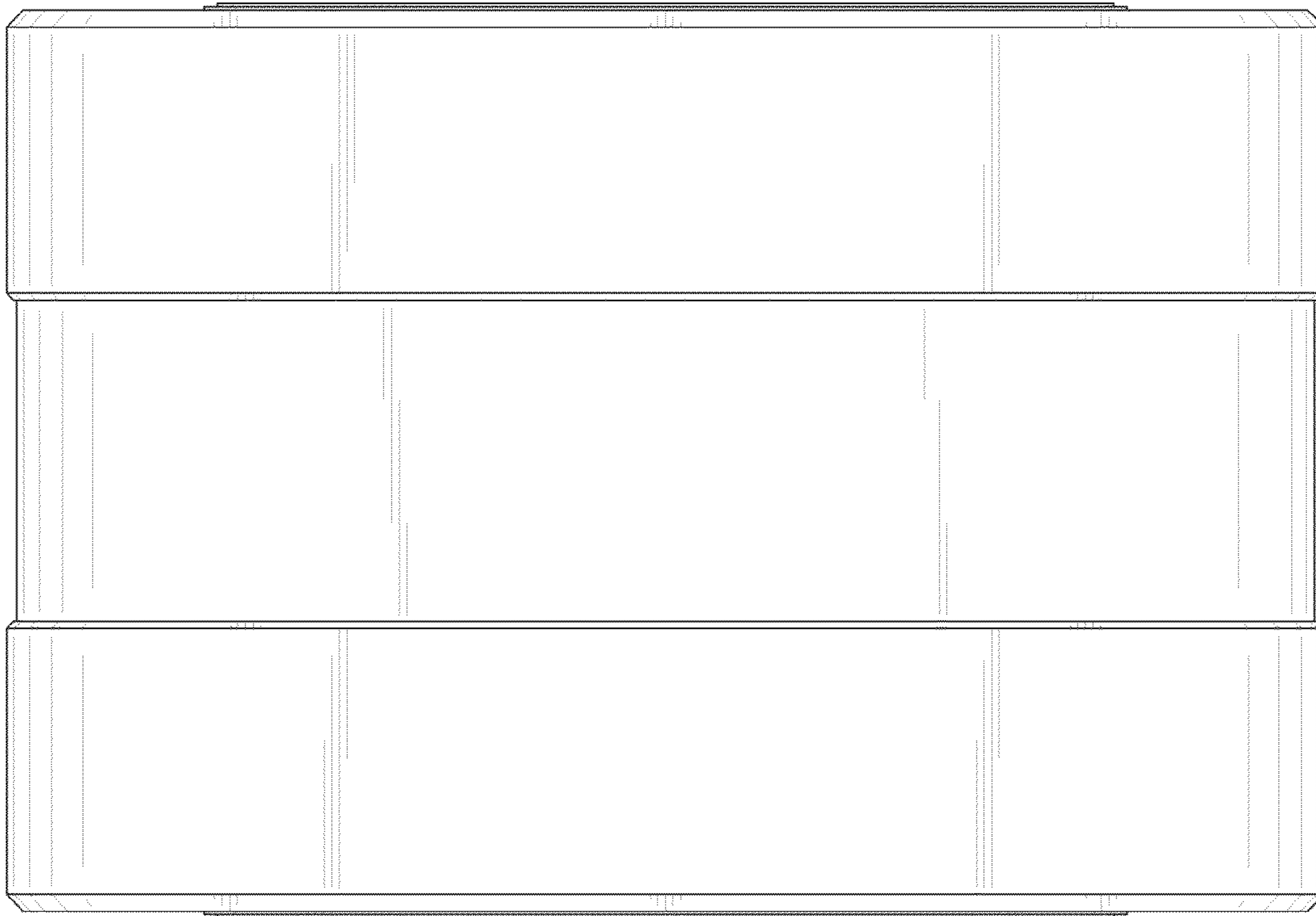


FIG.8

