



US00D717165S

(12) **United States Design Patent**
Kwak et al.

(10) **Patent No.:** **US D717,165 S**

(45) **Date of Patent:** **** Nov. 11, 2014**

(54) **PACKAGING BOX**

(71) Applicant: **Samsung Electronics Co., Ltd.**,
Suwon-si (KR)

(72) Inventors: **Ji-Hee Kwak**, Seoul (KR); **Il-Kyoung Kim**, Suwon-si (KR); **Eun Ae Shally Lee**, Seoul (KR); **Da-Hee Heo**, Yongin-si (KR)

(73) Assignee: **Samsung Electronics Co., Ltd.**,
Suwon-si (KR)

(**) Term: **14 Years**

(21) Appl. No.: **29/472,710**

(22) Filed: **Nov. 15, 2013**

(30) **Foreign Application Priority Data**

May 15, 2013 (KR) 30-2013-0025622

(51) **LOC (10) Cl.** **09-03**

(52) **U.S. Cl.**

USPC **D9/432**; D9/424

(58) **Field of Classification Search**

CPC B29L 2031/7162; B29L 2031/7164;
B29L 2031/7166; B65D 1/22; B65D 1/34;
B65D 5/00; B65D 5/001; B65D 5/0025;
B65D 5/067-5/069; B65D 5/20; B65D 5/24;
B65D 5/42; B65D 5/46; B65D 5/64; B65D
5/72; B65D 5/74; B65D 21/00; B65D 43/162;
B65D 81/02; B65D 81/3813; B65D 71/12;
B65D 71/40; B65D 71/46

USPC D9/415-419, 420-425, 428, 429-435,
D9/535, 536, 541-543, 560, 708, 719,
D9/734; D3/203.2, 272, 273, 294, 298,
D3/302-304; D7/538-542, 601, 602, 629;
D14/435

See application file for complete search history.

(56) **References Cited**

U.S. PATENT DOCUMENTS

3,256,975 A *	6/1966	Puente	206/706
D261,234 S *	10/1981	Abraham	D9/432
D361,715 S *	8/1995	Hauptert	D9/424
D383,606 S *	9/1997	Bourbonnais	D3/302
D385,786 S *	11/1997	Veesser	D9/432
D459,886 S *	7/2002	Jones	D3/294
D527,995 S *	9/2006	Tanner	D9/424
D527,996 S *	9/2006	Tanner	D9/424
D554,502 S *	11/2007	Hoffman et al.	D9/432
D612,094 S *	3/2010	Bellamah et al.	D27/189
D636,260 S *	4/2011	Abolfazlian et al.	D9/432
D660,692 S *	5/2012	Hauptert	D9/424
D704,442 S *	5/2014	Chen	D3/294

* cited by examiner

Primary Examiner — Susan Bennett Hattan

Assistant Examiner — Vy Koenig

(74) *Attorney, Agent, or Firm* — NSIP Law

(57) **CLAIM**

The ornamental design for a packaging box, as shown and described.

DESCRIPTION

FIG. 1 is a front perspective view of a packaging box showing our new design;

FIG. 2 is a front view thereof;

FIG. 3 is a rear view thereof;

FIG. 4 is a left-side view thereof;

FIG. 5 is a right-side view thereof;

FIG. 6 is a top view thereof;

FIG. 7 is a bottom view thereof; and,

FIG. 8 is an exploded perspective view of the packaging box, in which a tray for packaging box in broken lines is provided to illustrate an example environment.

The broken lines illustrating portions of the packaging box depict environmental subject matter only and form no part of the claimed design. The dot-dash broken lines define boundaries of the claimed design and form no part thereof.

1 Claim, 6 Drawing Sheets

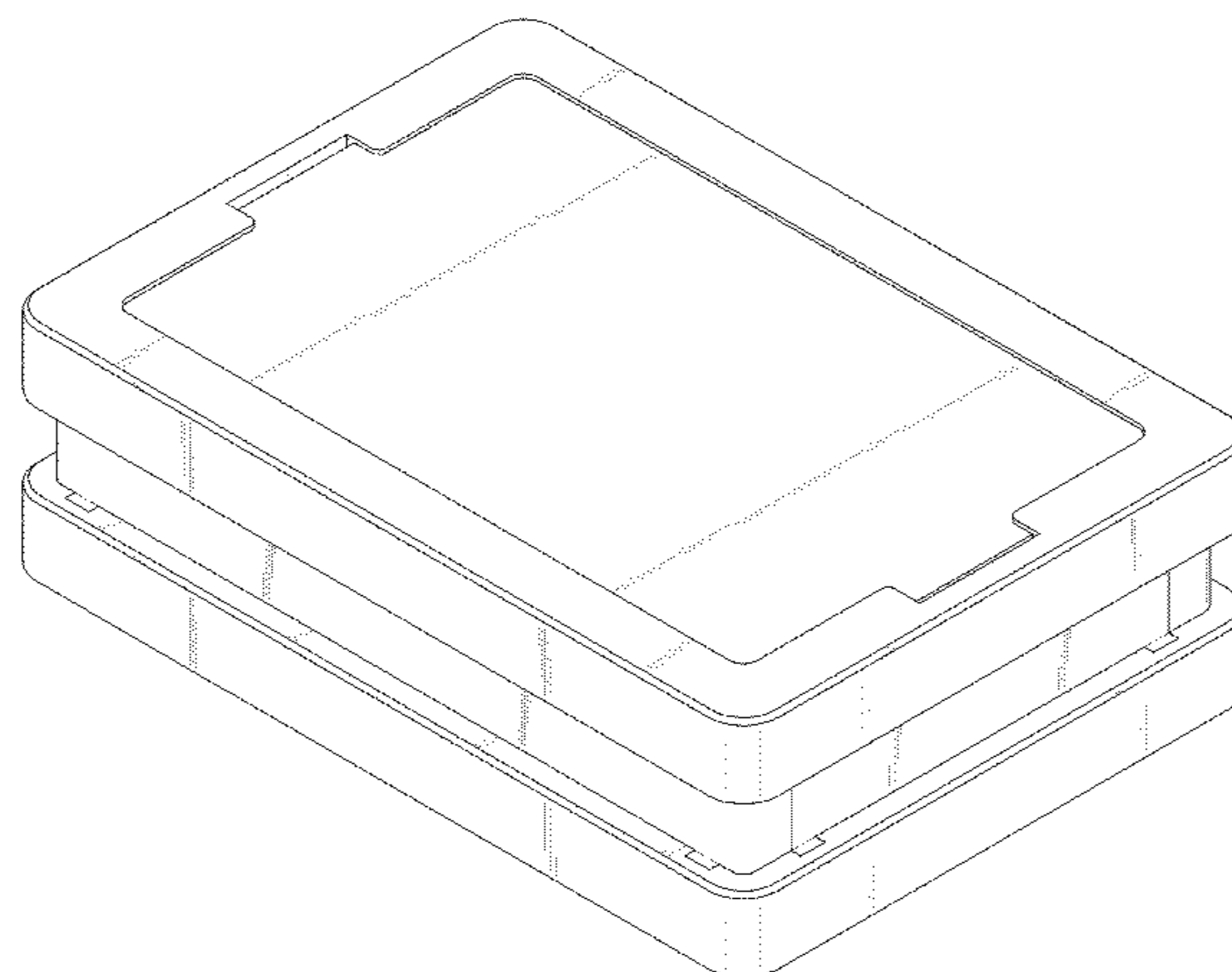


FIG.1

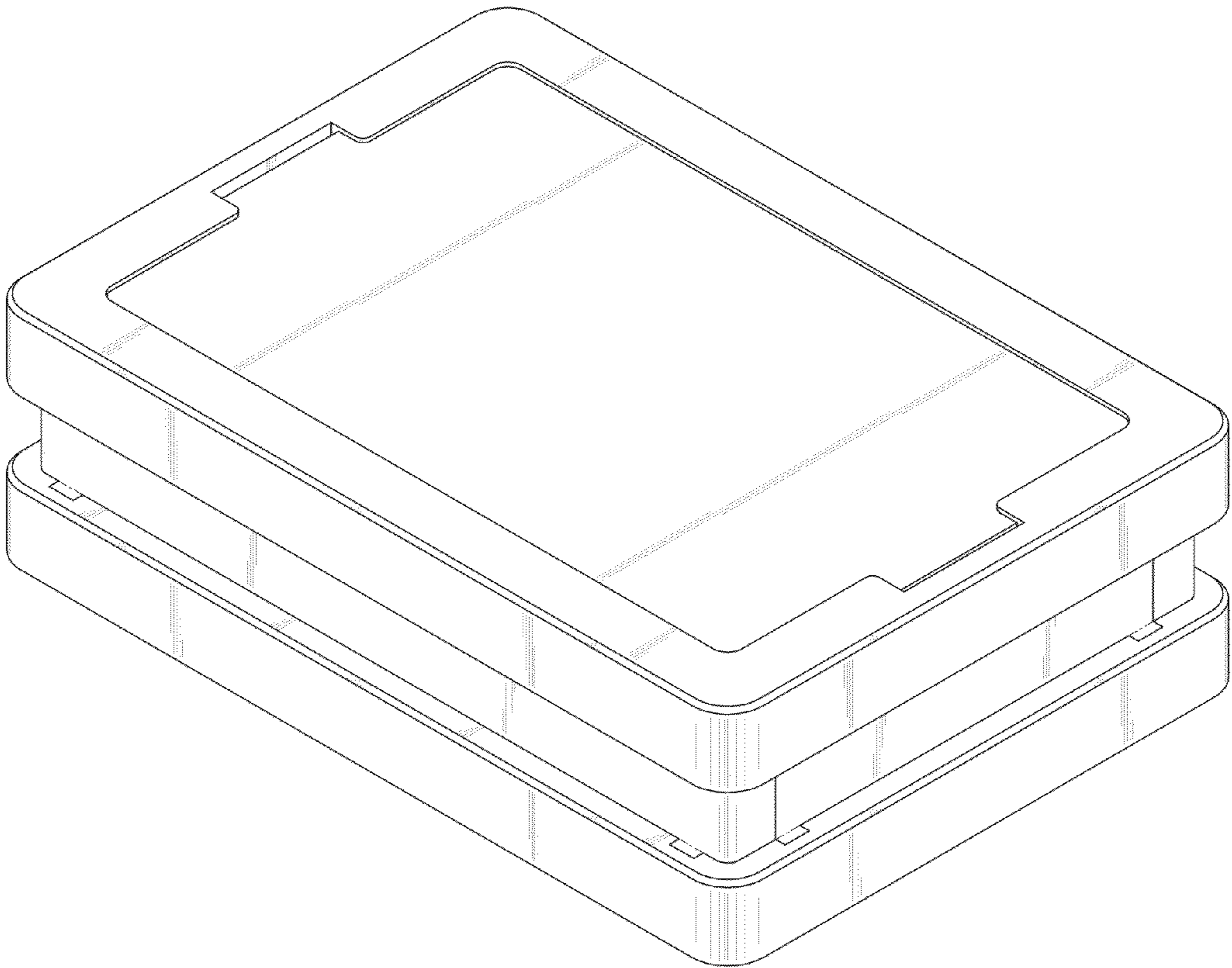


FIG.2

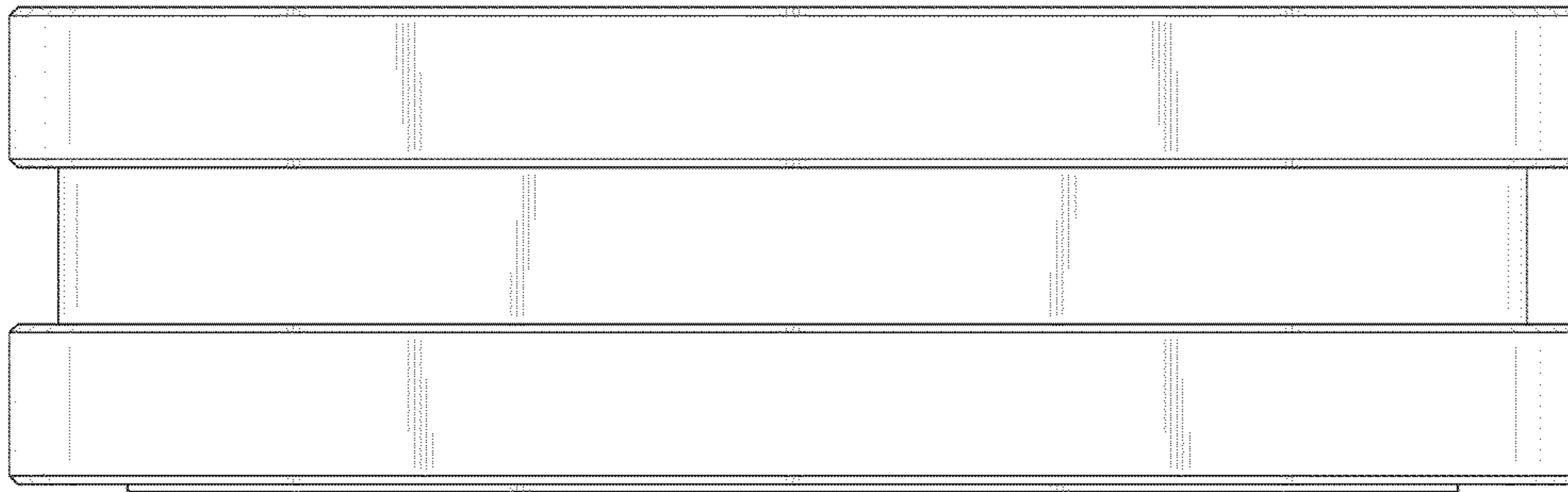


FIG.3

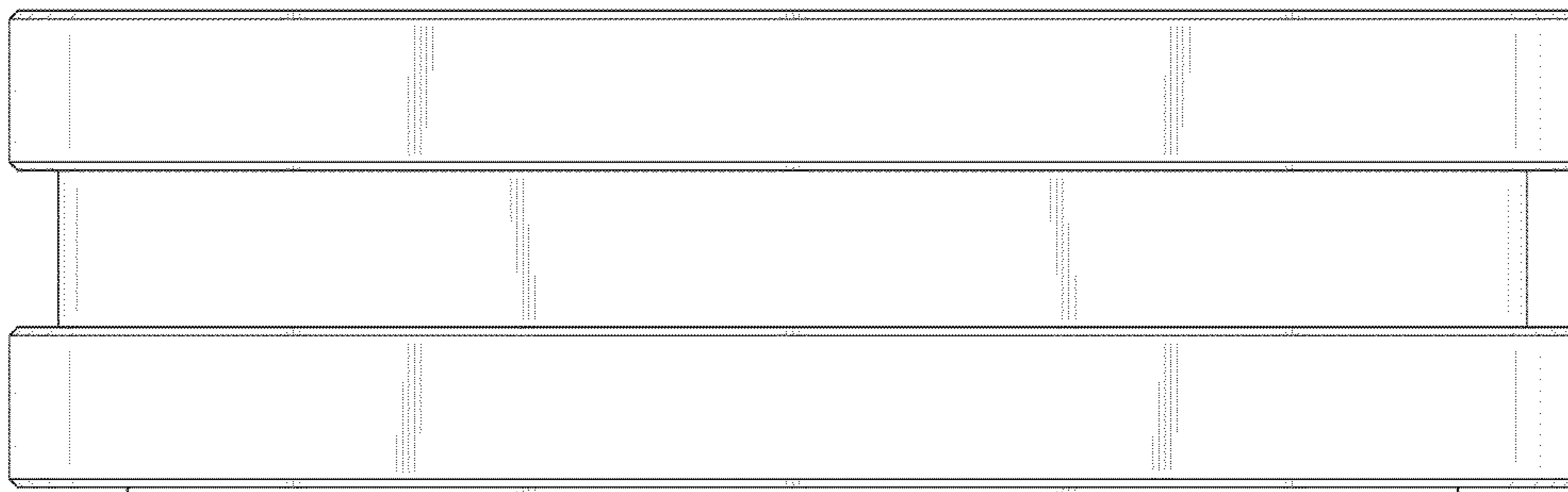


FIG.4

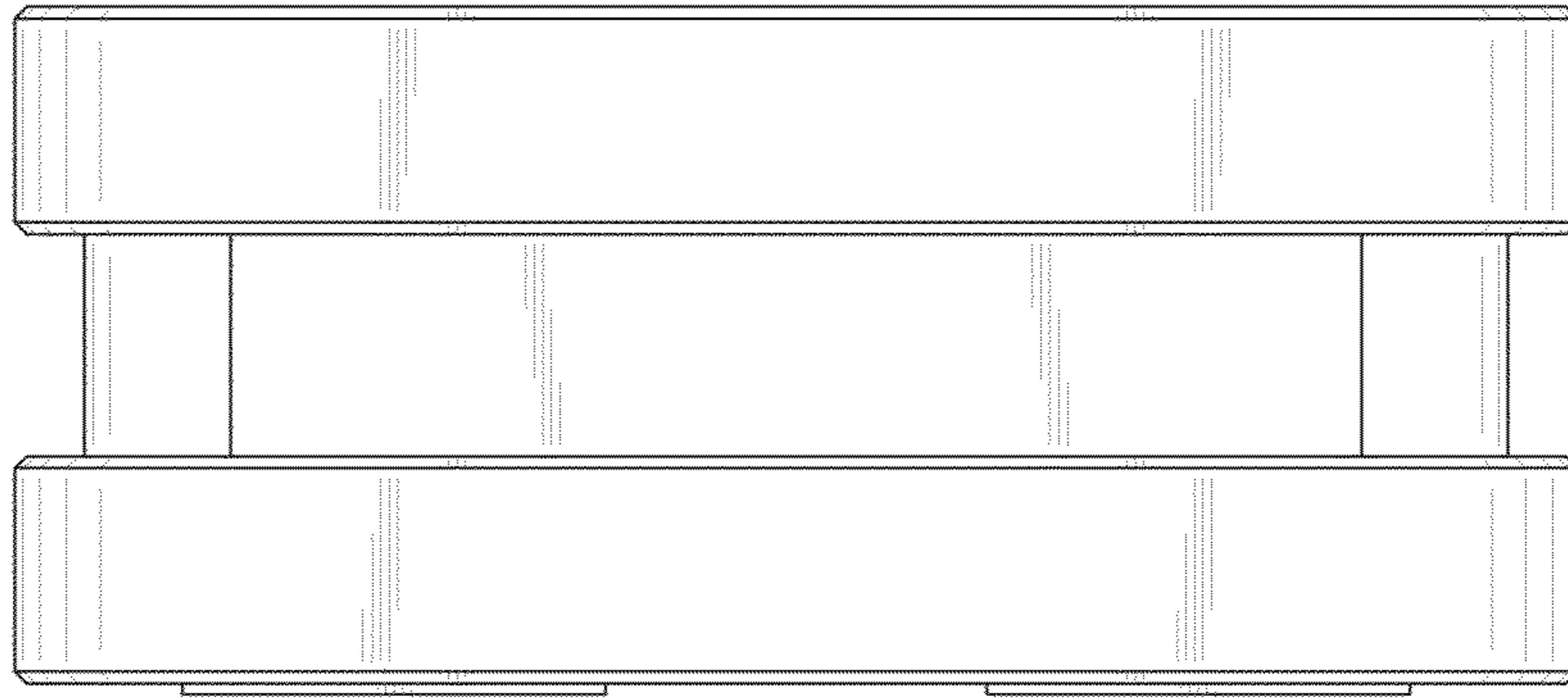


FIG.5

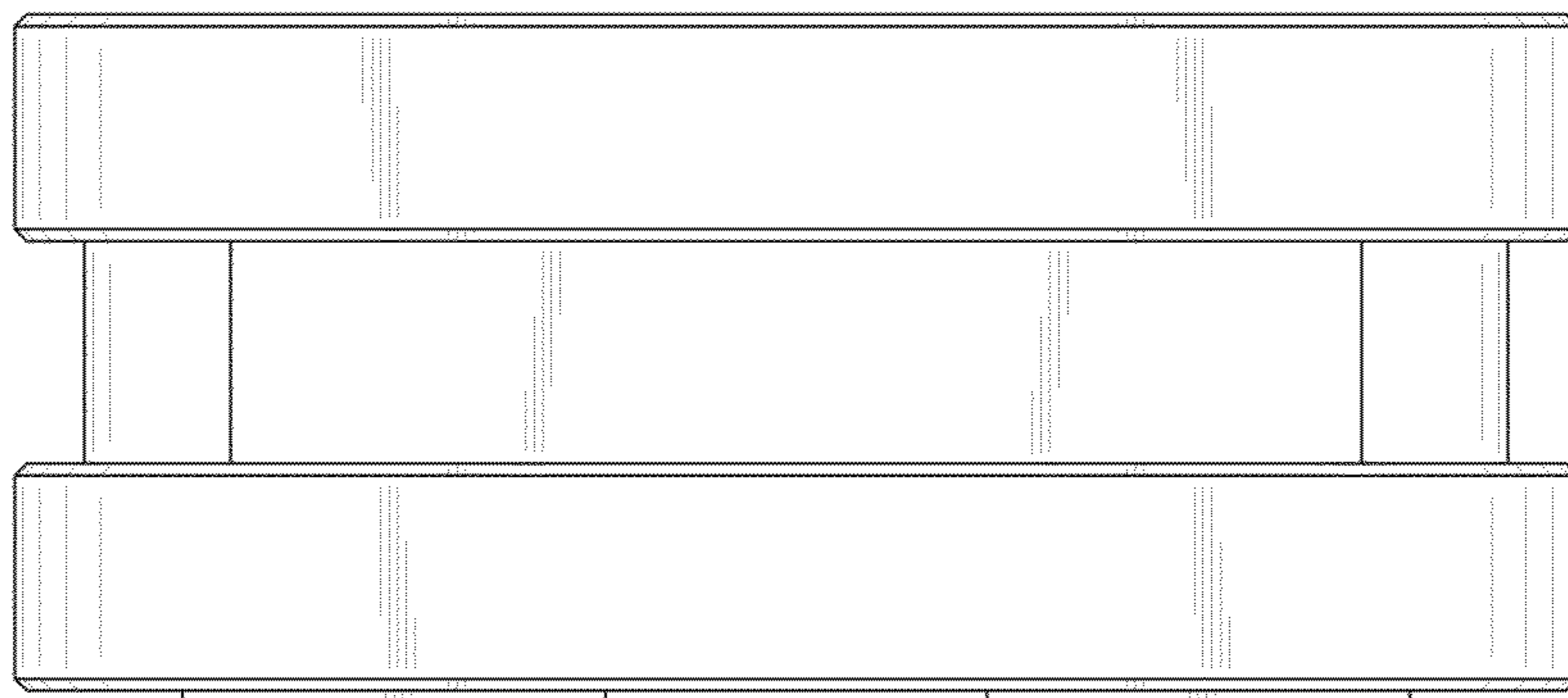


FIG.6

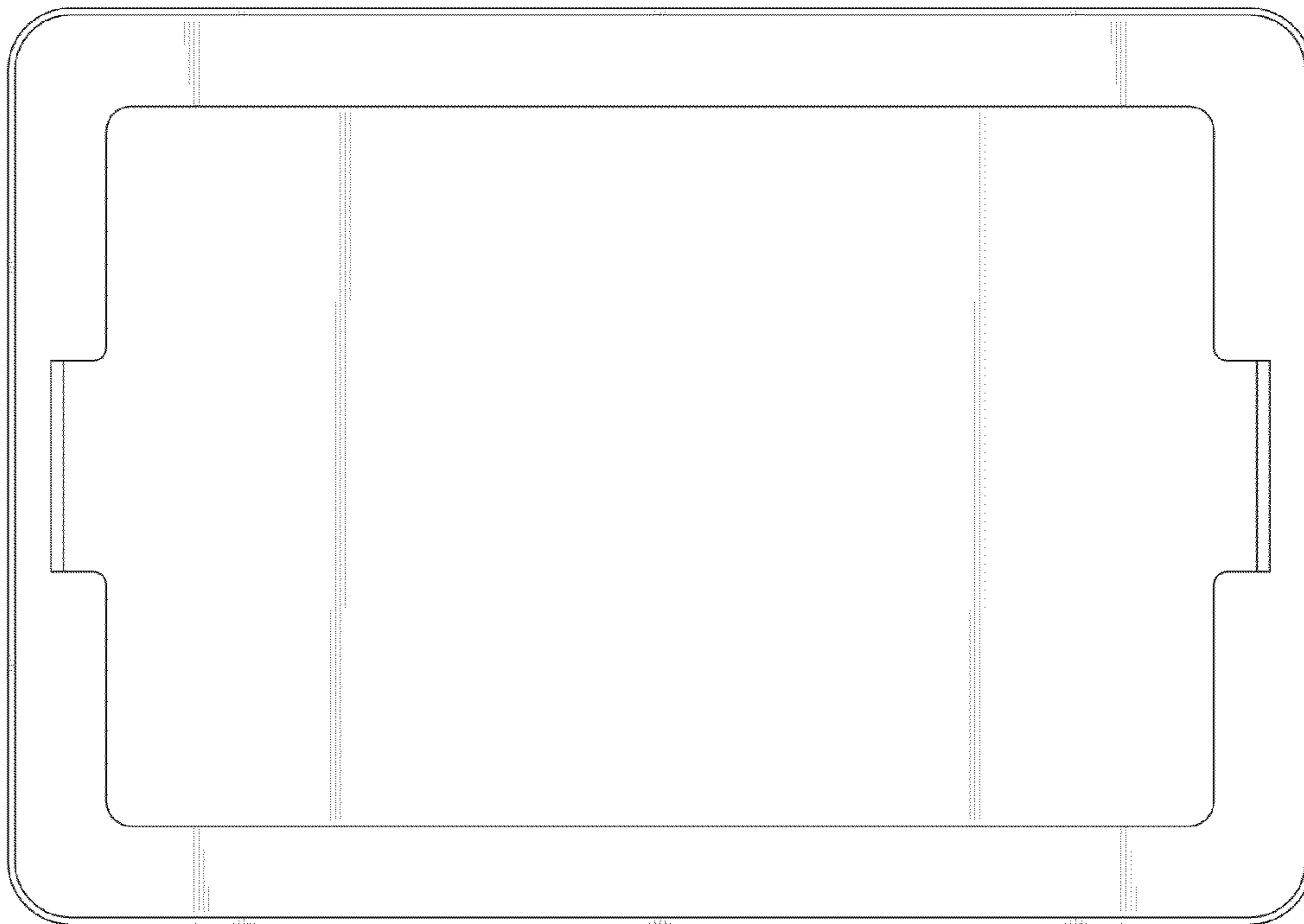


FIG.7

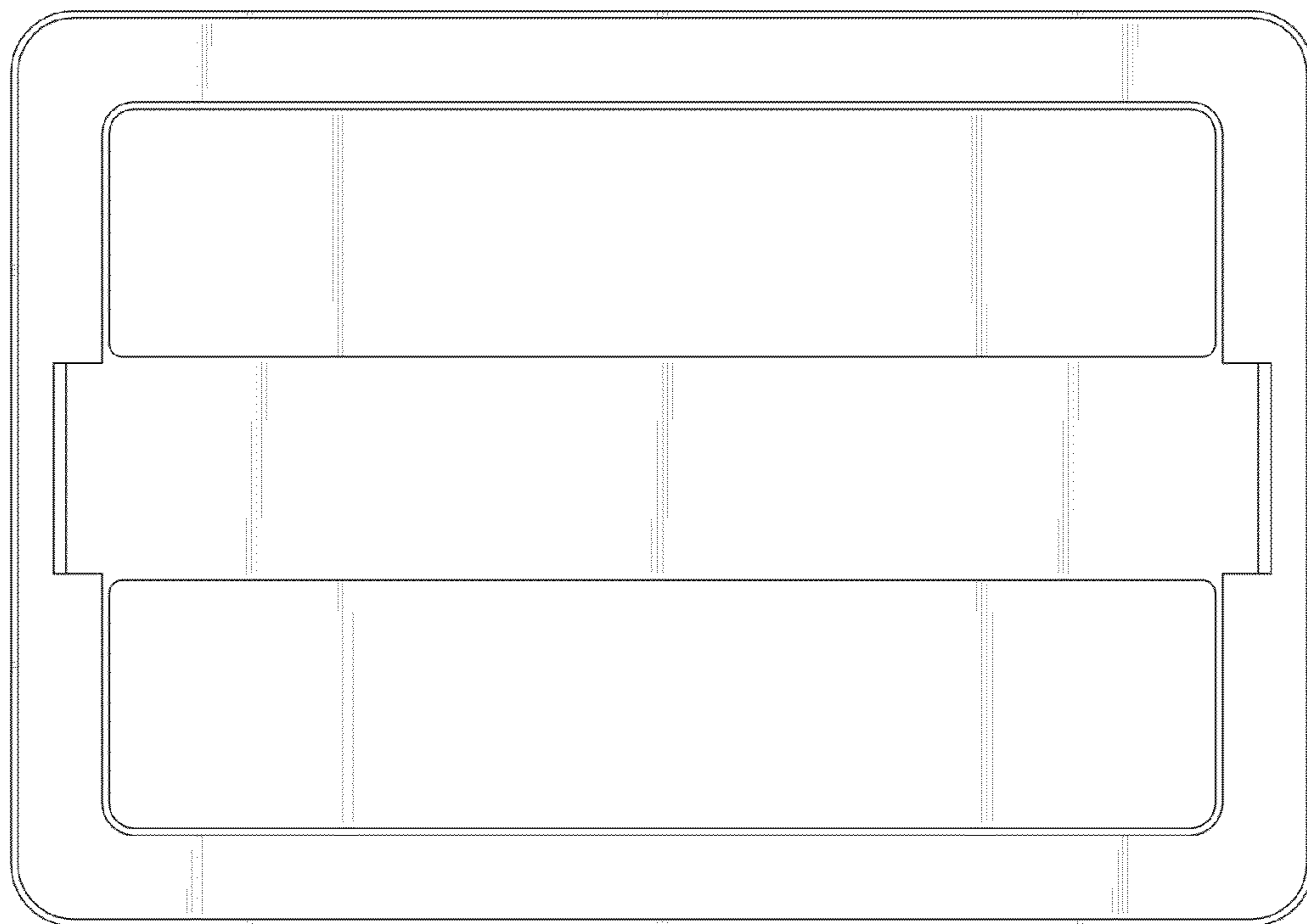


FIG.8

