



US00D717163S

(12) **United States Design Patent**
Paulsen

(10) **Patent No.:** **US D717,163 S**

(45) **Date of Patent:** **** Nov. 11, 2014**

(54) **HEXAGONAL PACKAGING**

(75) Inventor: **Mary Katherine Paulsen**, Glenview, IL (US)

(73) Assignee: **Wm. Wrigley Jr. Company**, Chicago, IL (US)

(**) Term: **14 Years**

(21) Appl. No.: **29/431,143**

(22) Filed: **Sep. 4, 2012**

(51) **LOC (10) Cl.** **09-03**

(52) **U.S. Cl.**
USPC **D9/431**

(58) **Field of Classification Search**
USPC D9/632, 504, 501, 435, 449, 454, 414, D9/564, 772, 767, 716, 428, 424, 423, 418, D9/431; 206/8, 278, 243; D11/131; D7/691, 538; 229/117.23, 400, 939, 229/110-116, 109, 106, 117.12, 117.08, 229/117.19, 117.31, 120.15, 120.16, 229/120.18, 120.13, 120.24, 122.26, 229/122.29, 123.1, 123.2, 123.3, 124, 126, 229/129.1, 131.1, 147, 149, 200, 210, 212, 229/211, 221, 229, 231

See application file for complete search history.

(56) **References Cited**

U.S. PATENT DOCUMENTS

2,316,796	A *	4/1943	Lichter	221/63
2,342,623	A *	2/1944	Aquino	229/110
2,465,661	A *	3/1949	Ringler	229/110
2,644,633	A *	7/1953	Stopper	229/110
2,659,525	A *	11/1953	Wikstrom	229/110
2,925,950	A *	2/1960	Burg	229/117.13
D224,208	S *	7/1972	Kuchar	D9/418
4,003,514	A *	1/1977	Graser	229/123.2
D291,066	S *	7/1987	Antoine	D9/418

(Continued)

Primary Examiner — Ian Simmons

Assistant Examiner — Rhea Shields

(74) *Attorney, Agent, or Firm* — McAndrews, Held & Malloy, Ltd.

(57) **CLAIM**

The ornamental design for hexagonal packaging, as shown and described.

DESCRIPTION

FIG. 1 is a perspective view of the hexagonal packaging. As shown in FIG. 1, the hexagonal packaging includes a foldable flap having perforated sides and a perforated rounded top portion.

FIG. 2 is a right side view of the hexagonal packaging of FIG. 1.

FIG. 3 is a left side view of the hexagonal packaging of FIG. 1.

FIG. 4 is a front view of the hexagonal packaging of FIG. 1.

FIG. 5 is a back view of the hexagonal packaging of FIG. 1.

FIG. 6 is a top view of the hexagonal packaging of FIG. 1.

FIG. 7 is a bottom view of the hexagonal packaging of FIG. 1.

FIG. 8 is a perspective view of the hexagonal packaging of FIG. 1 wherein the perforated sides and top portion are detached from the remainder of the hexagonal packaging to allow the foldable flap to be folded outward.

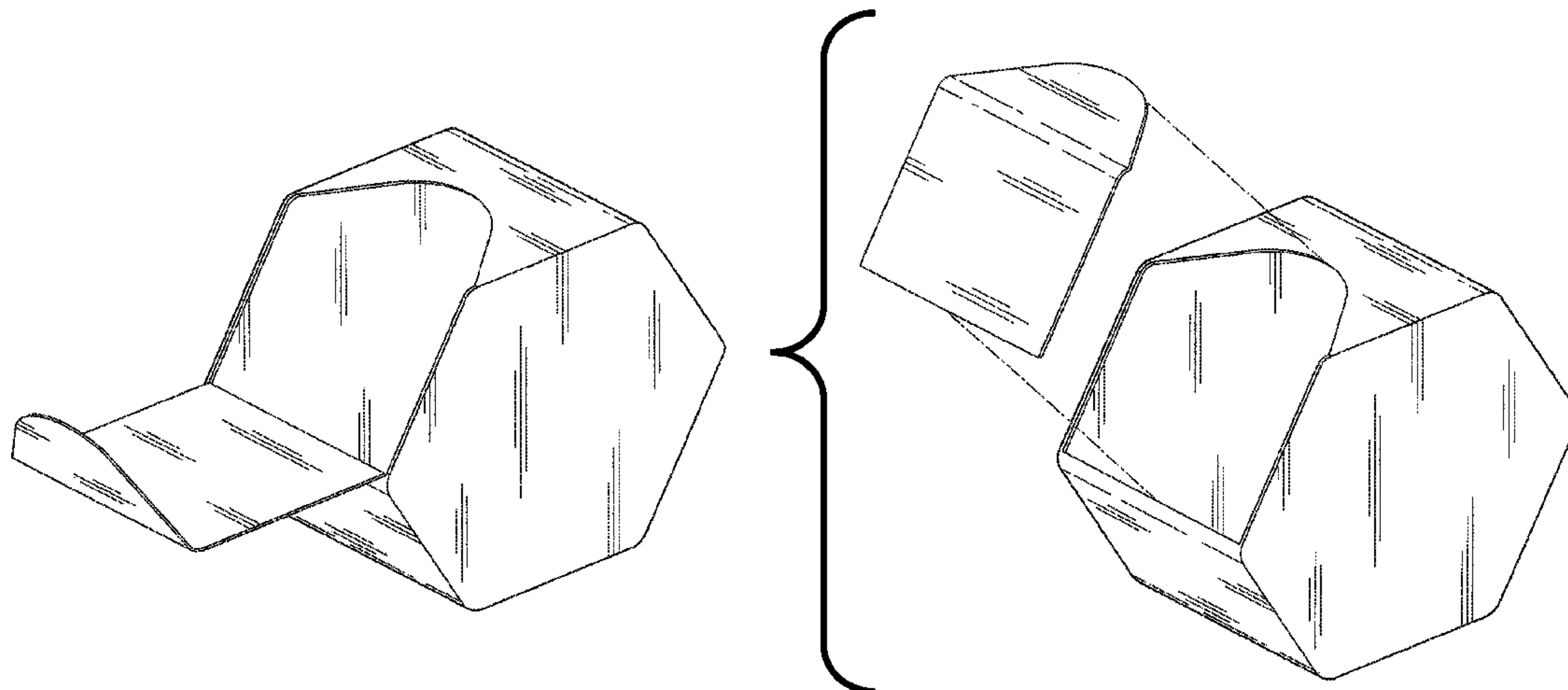
FIG. 9 is a perspective view of an alternative embodiment of the hexagonal packaging of FIG. 1 wherein the foldable flap also includes a perforated bottom portion.

FIG. 10 is a perspective view of the alternative embodiment of FIG. 9 wherein the perforated sides, top, and bottom portions are detached from the remainder of the hexagonal packaging to allow the foldable flap to be removed from the hexagonal packaging; and,

FIG. 11 is a perspective view of an alternative embodiment of the hexagonal packaging of FIG. 1 wherein the sides of the foldable flap include inward folds.

The broken lines in FIGS. 1, 4, 6, and 9 illustrate a claimed perforated line of the top portion of the hexagonal packaging.

1 Claim, 8 Drawing Sheets



(56)

References Cited

U.S. PATENT DOCUMENTS

D348,609 S *	7/1994	Eisman et al.	D9/430	5,971,263 A *	10/1999	Mangano	229/110
D373,531 S *	9/1996	Cooksey	D9/430	6,082,614 A *	7/2000	Schmidt	229/123.3
5,556,026 A *	9/1996	Blankitny	229/123.1	D442,084 S *	5/2001	Hoffman et al.	D9/431
D385,186 S *	10/1997	Fildan	D9/430	6,588,651 B2 *	7/2003	Quaintance	229/109
				D495,247 S *	8/2004	Keberlein	D9/418
				8,459,531 B2 *	6/2013	D'Amato	229/109
				2008/0128478 A1 *	6/2008	Quadrelli	229/110

* cited by examiner

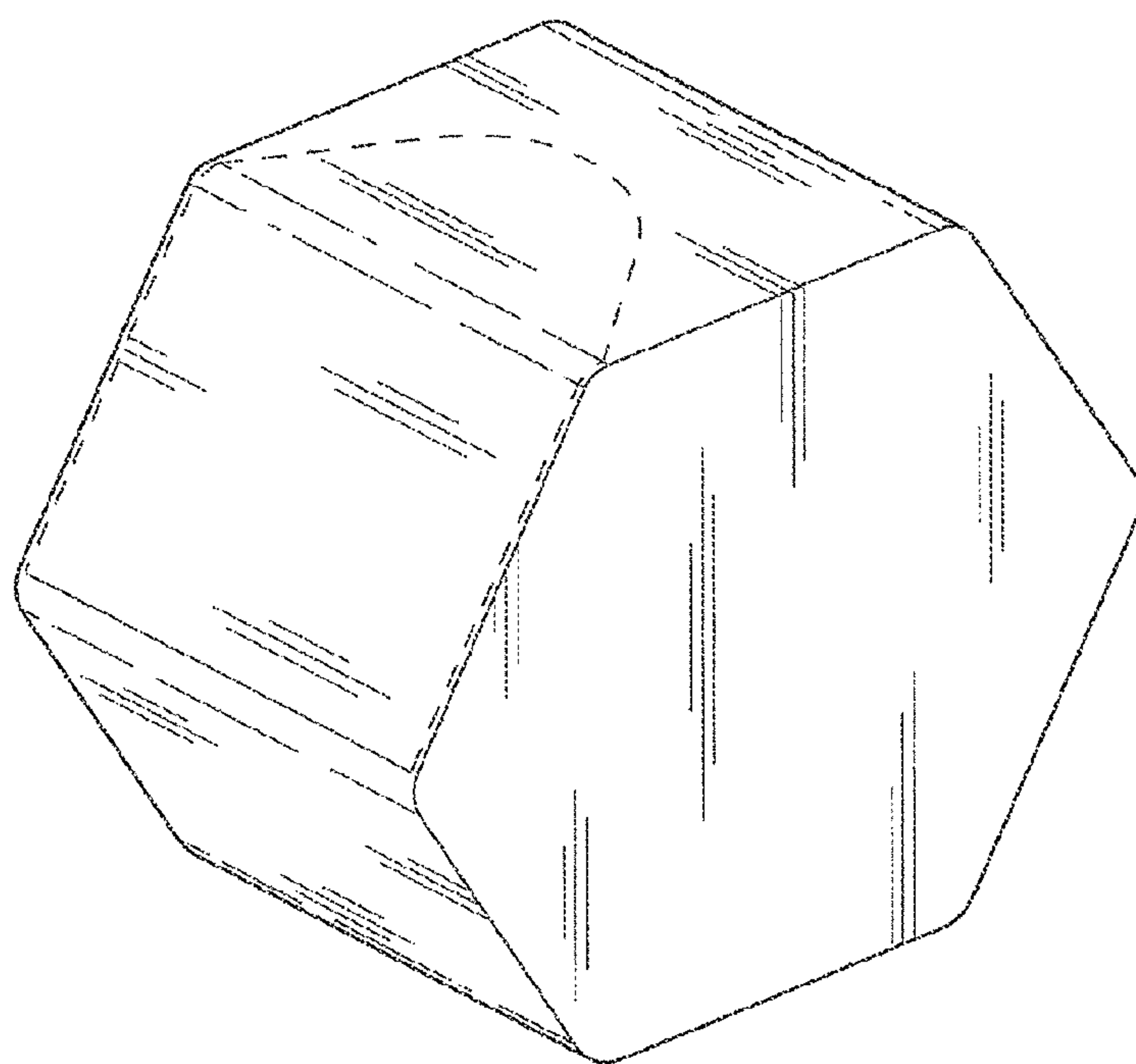


FIG. 1

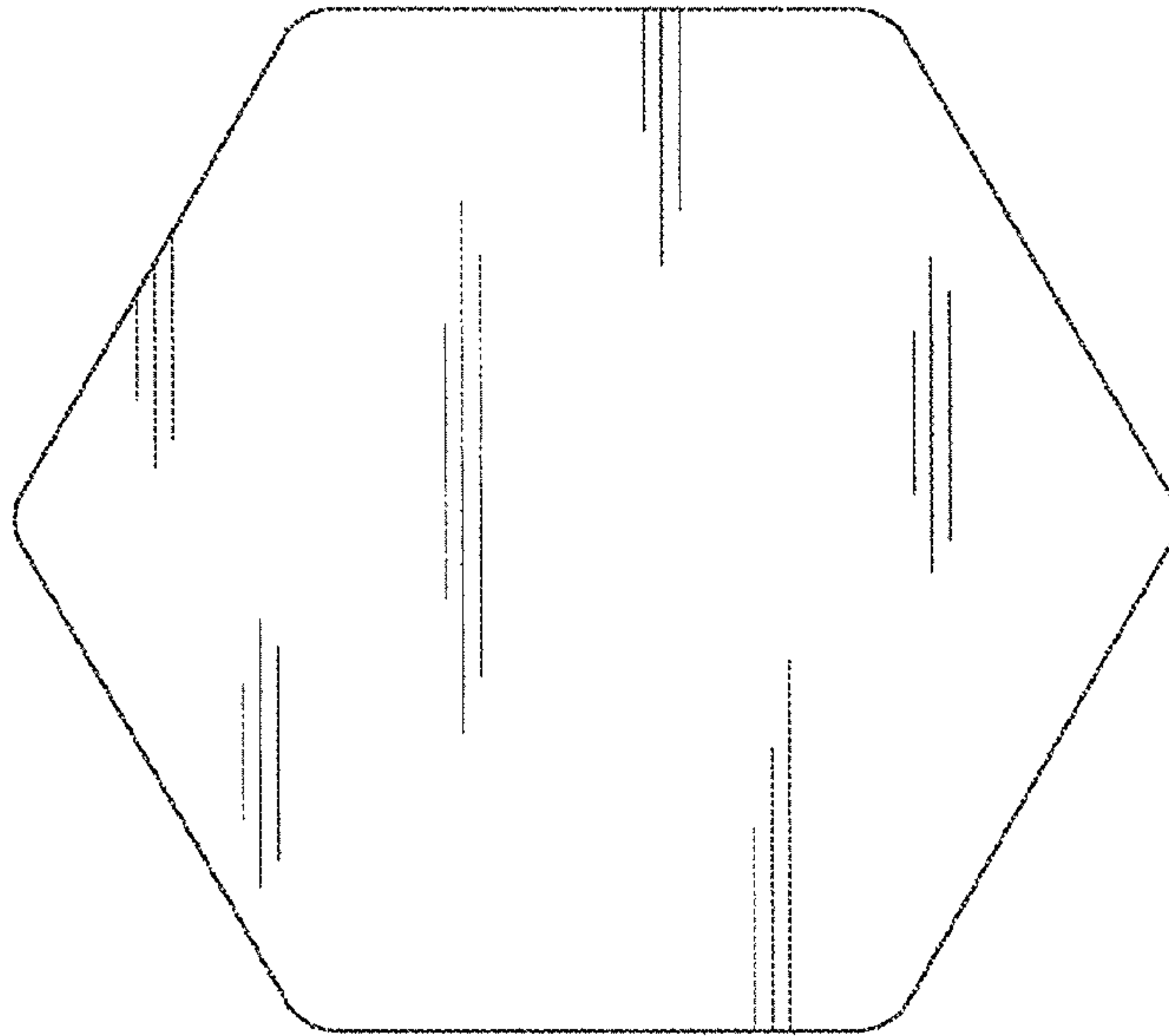


FIG. 2

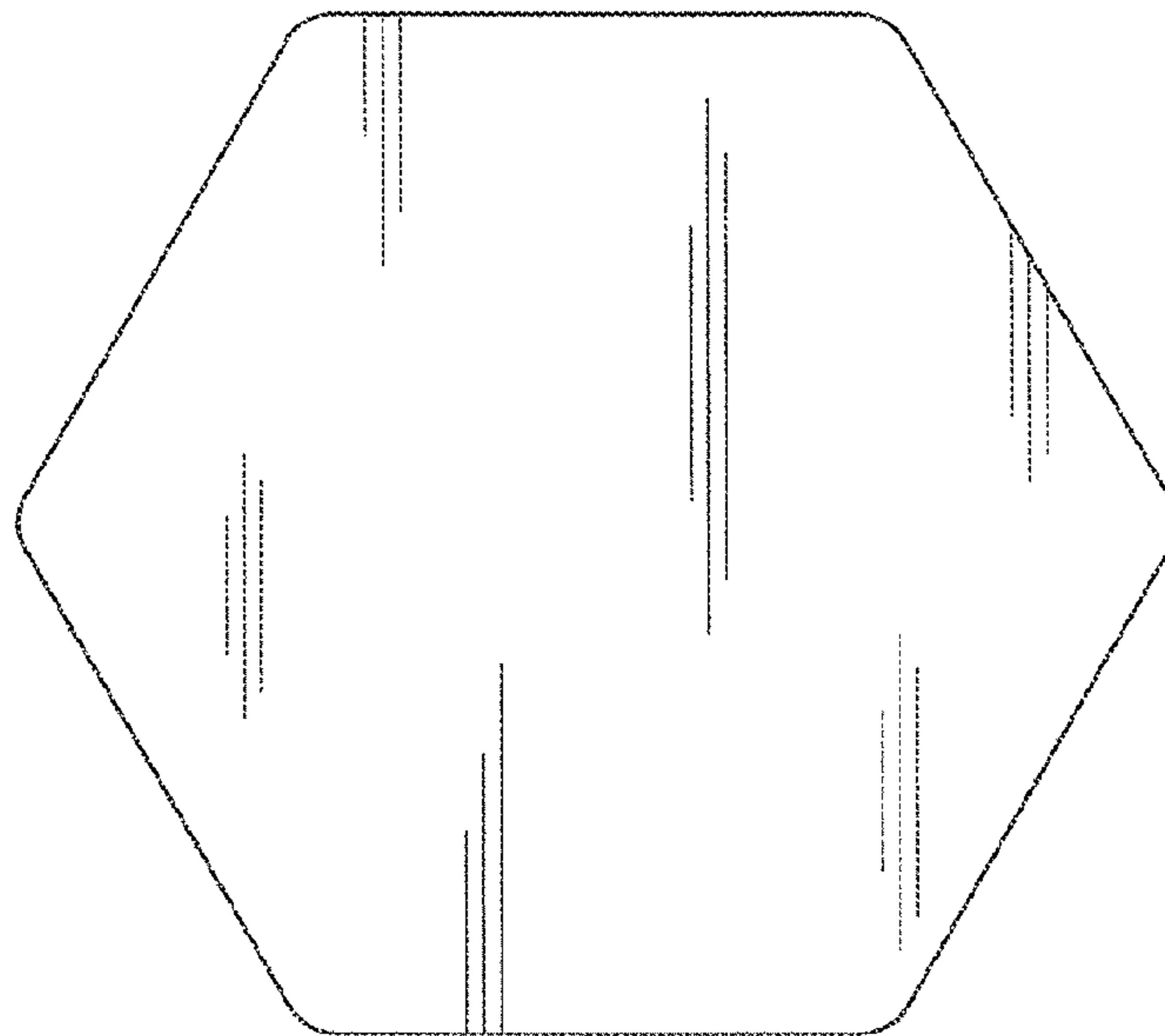


FIG. 3

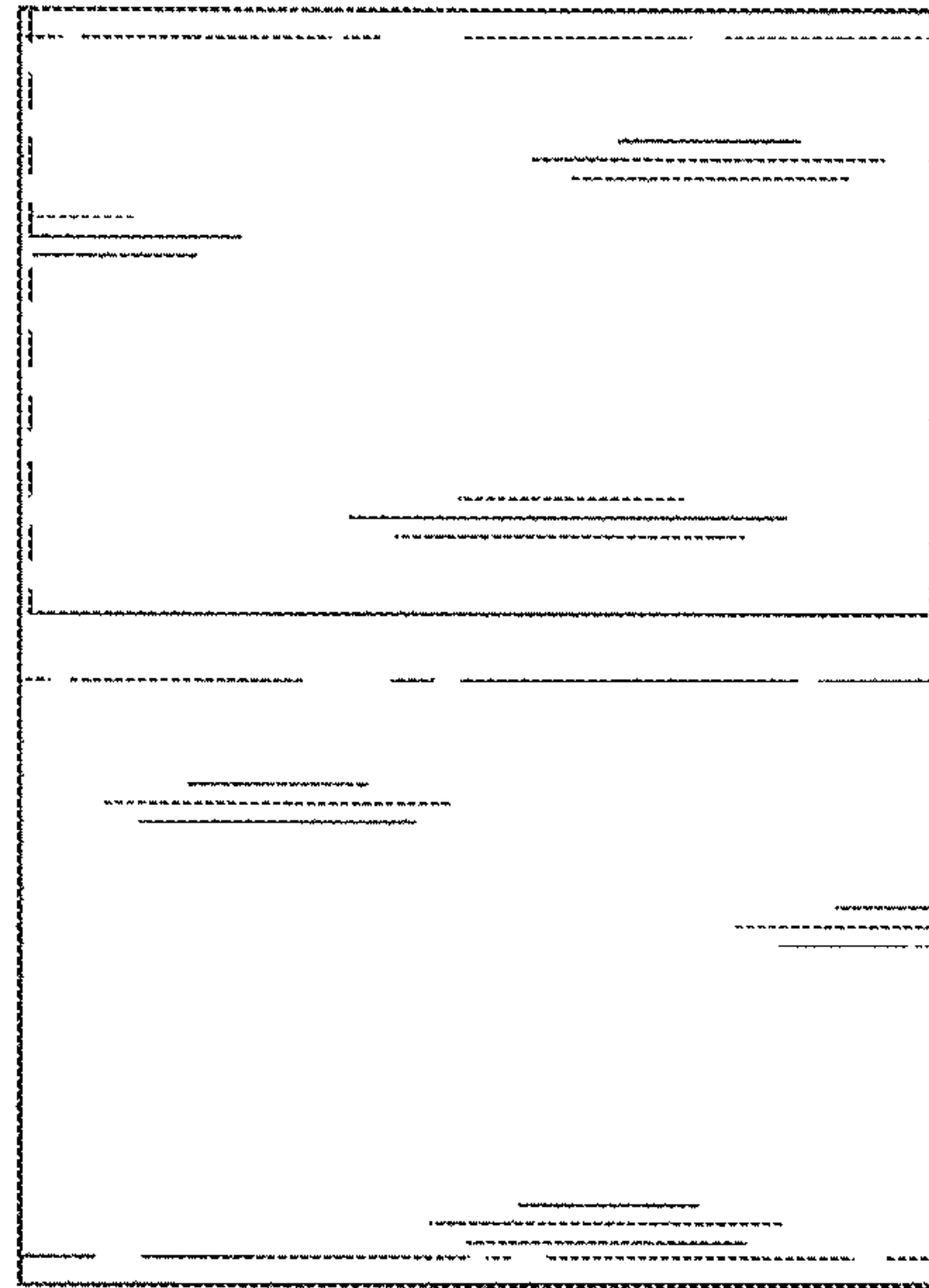


FIG. 4

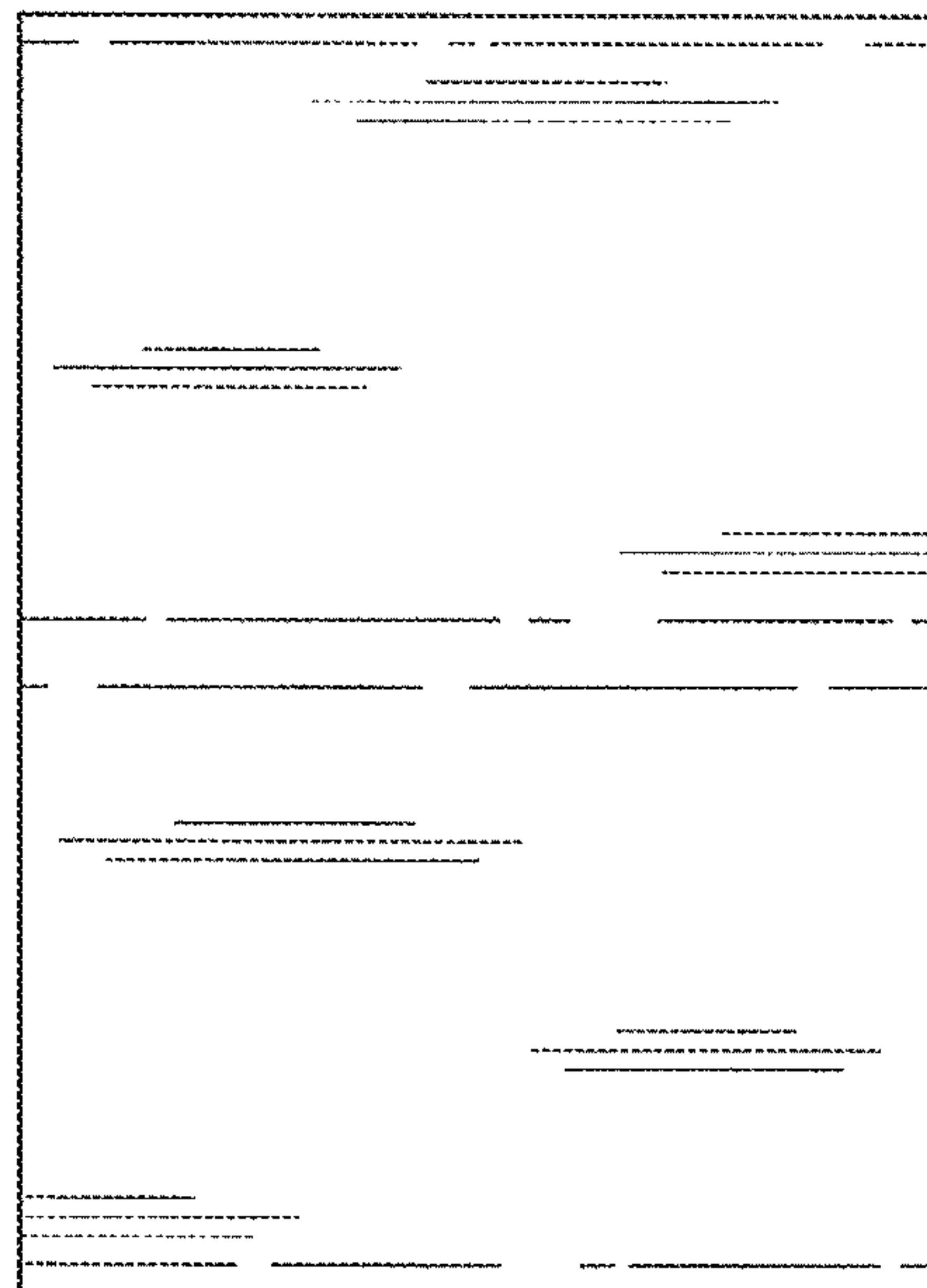


FIG. 5

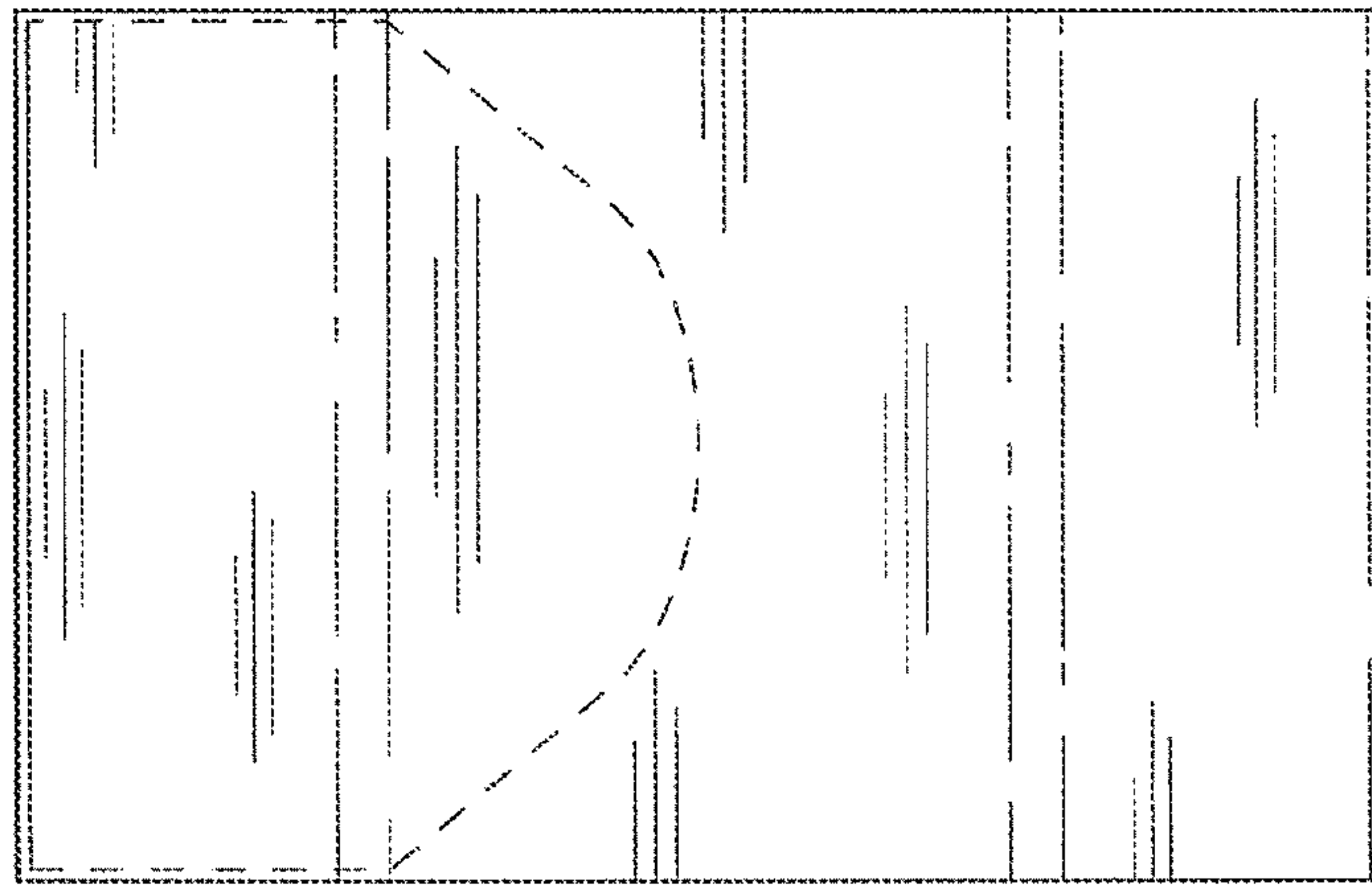


FIG. 6

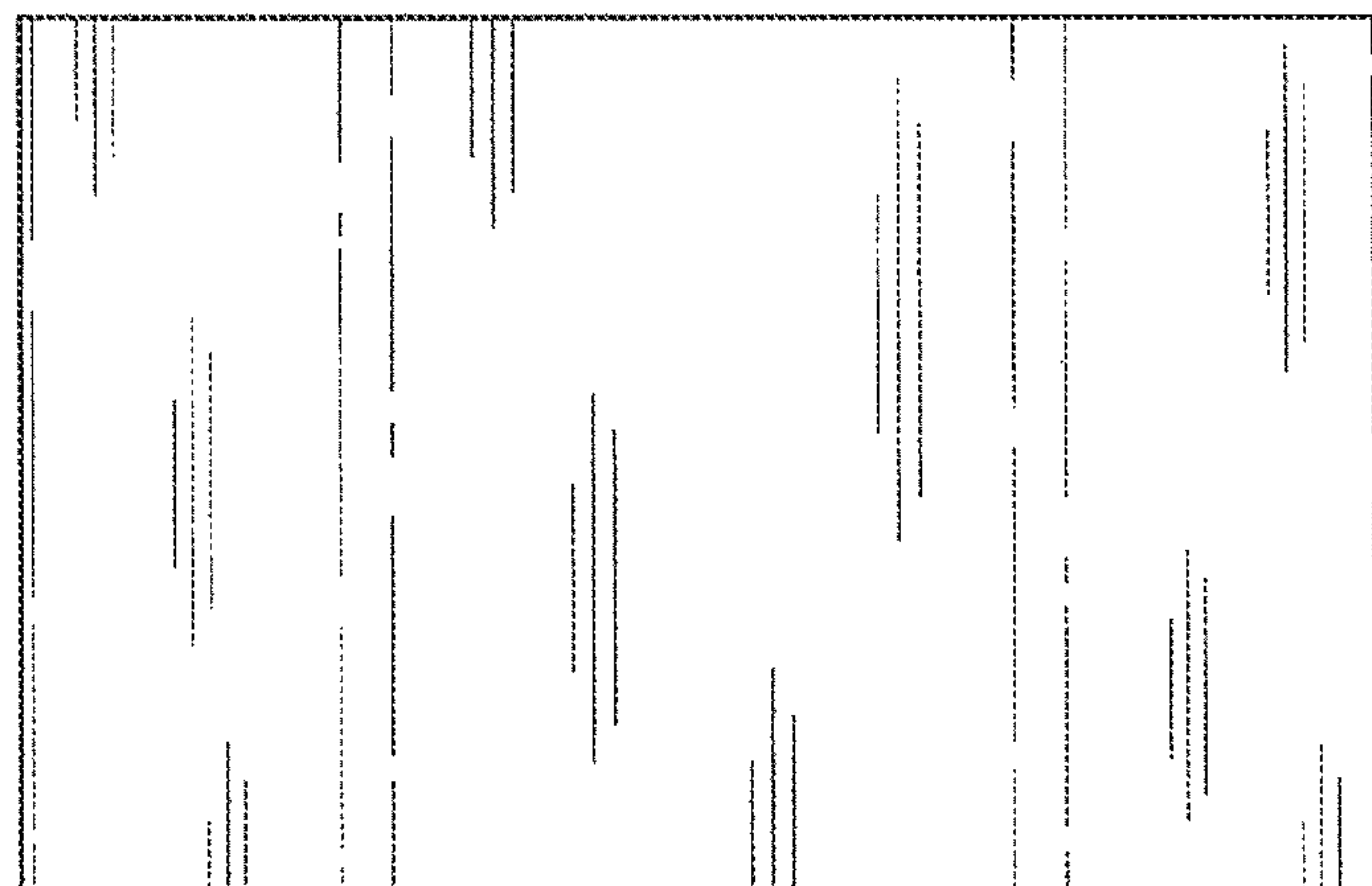


FIG. 7

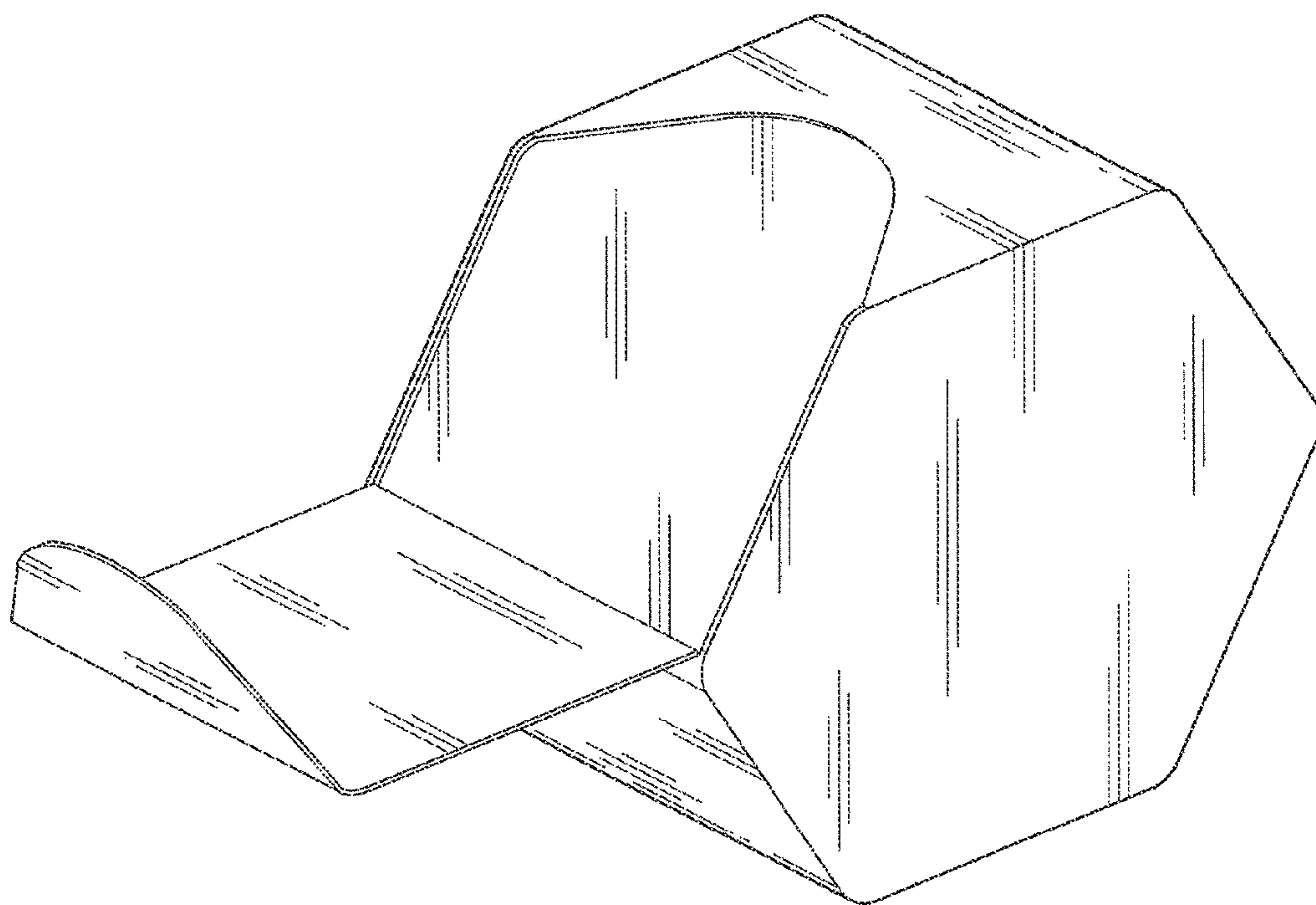


FIG. 8

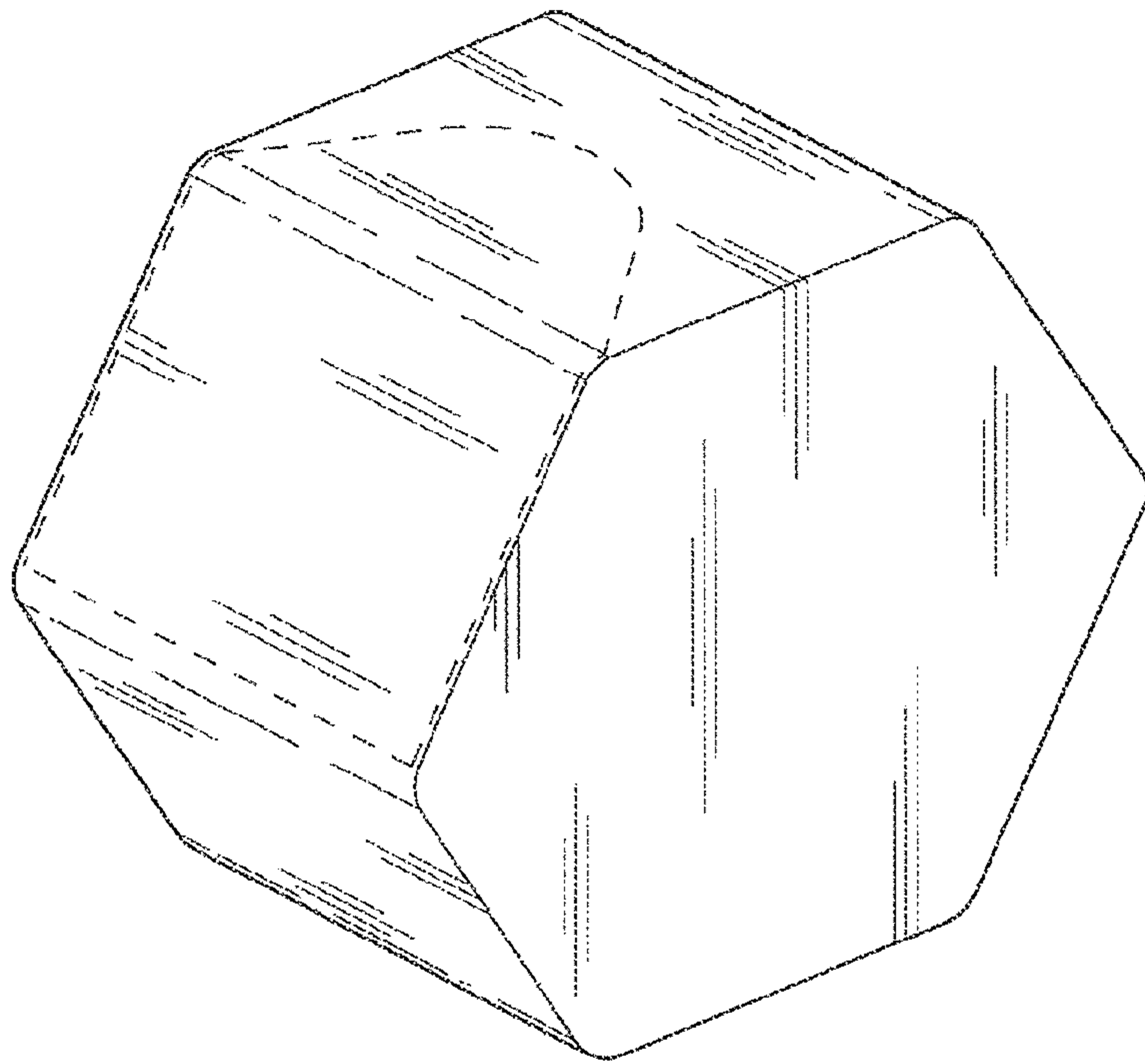


FIG. 9

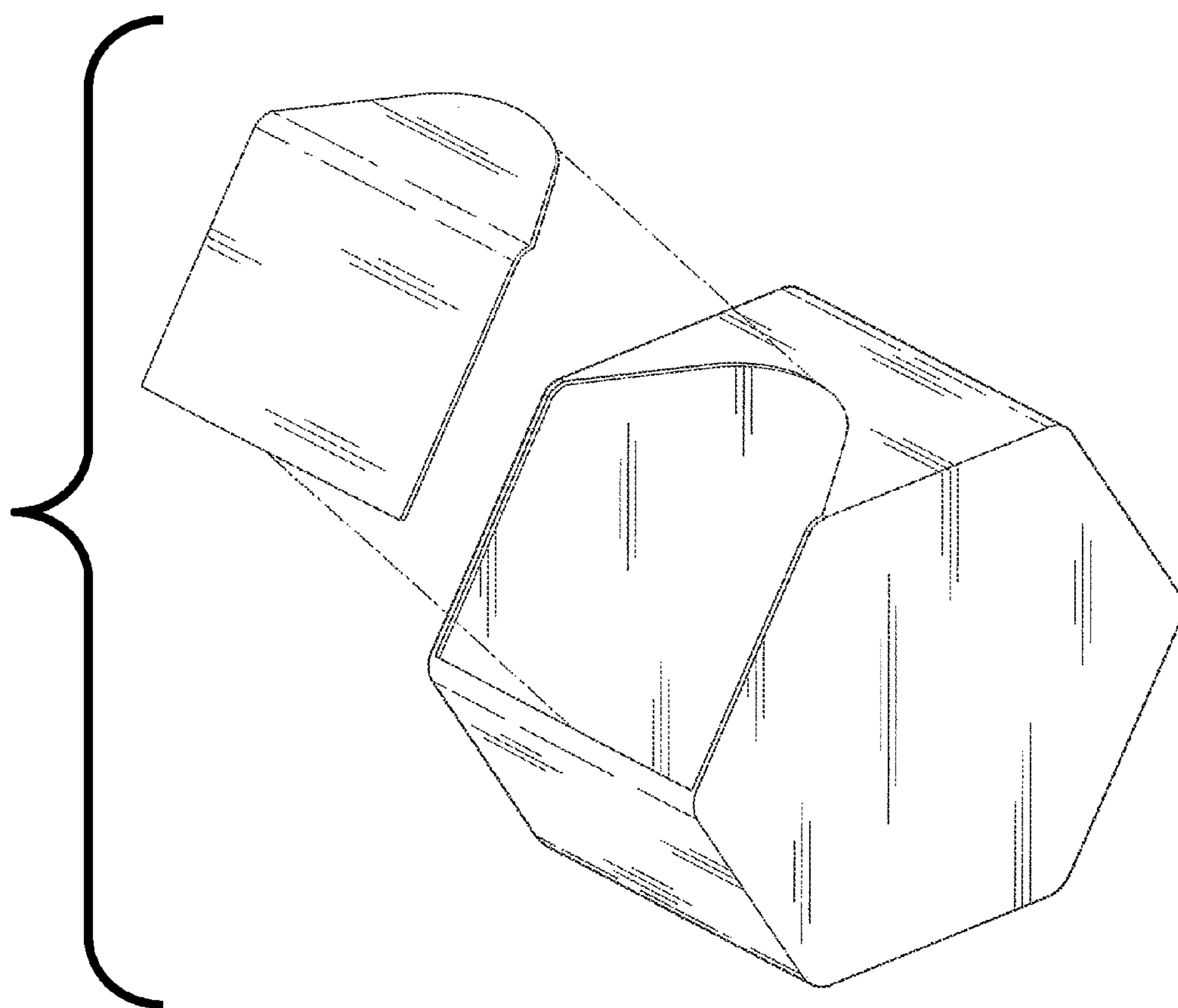


FIG. 10

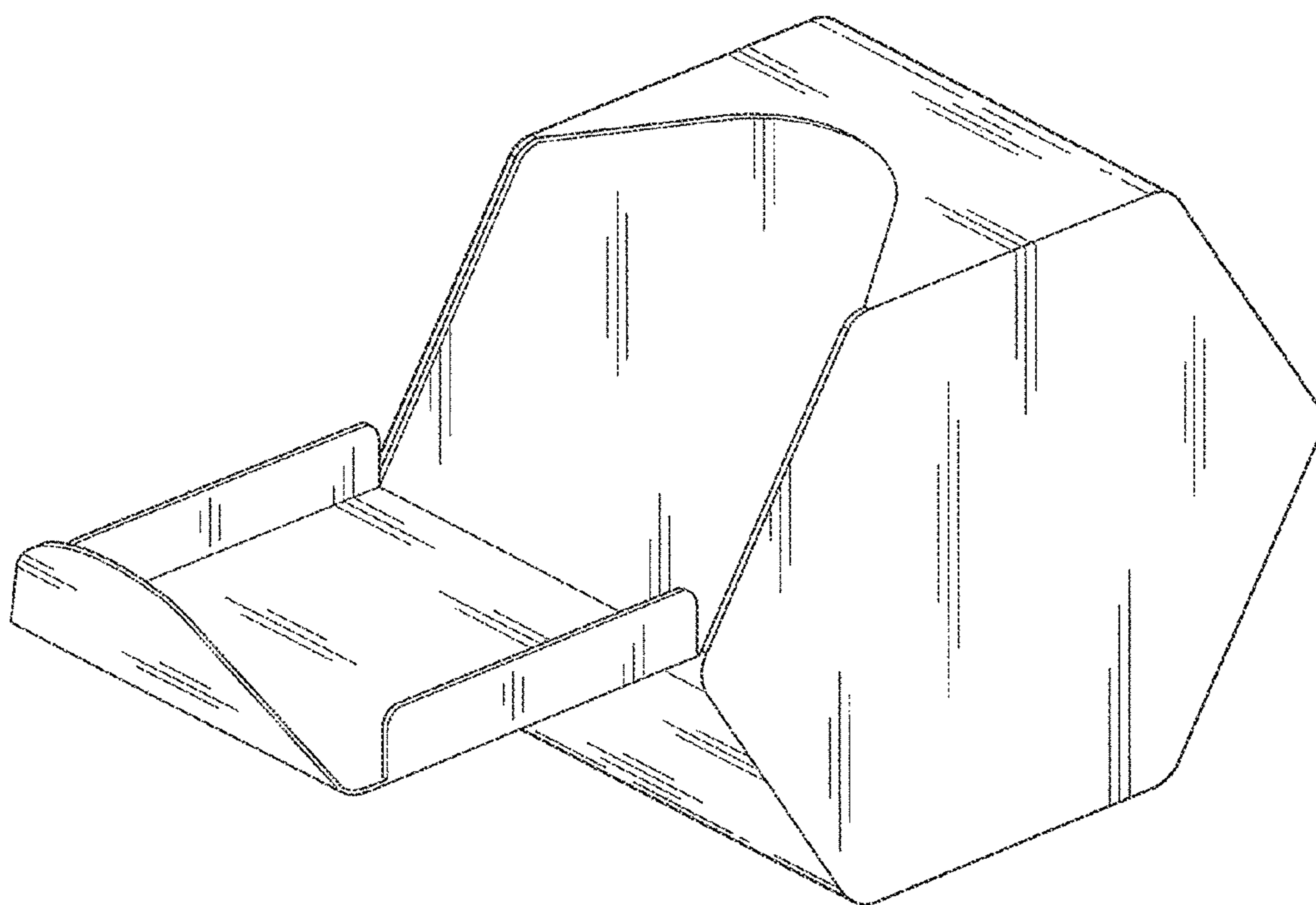


FIG. 11