



US00D717162S

(12) **United States Design Patent**  
**Baker**

(10) **Patent No.:** **US D717,162 S**

(45) **Date of Patent:** **\*\* Nov. 11, 2014**

(54) **CONTAINER**

FOREIGN PATENT DOCUMENTS

(75) Inventor: **Steven Baker**, Omaha, NE (US)

CH 672 585 12/1989  
DE 28 10 175 A1 9/1979

(73) Assignee: **ConAgra Foods RDM, Inc.**, Omaha, NE (US)

(Continued)

(\*\*) Term: **14 Years**

OTHER PUBLICATIONS

(21) Appl. No.: **29/424,388**

U.S. Official Action mailed Oct. 3, 2013, in U.S. Appl. No. 11/703,066.

(22) Filed: **Jun. 12, 2012**

(Continued)

(51) **LOC (10) Cl.** ..... **09-03**

*Primary Examiner* — Susan Bennett Hattan

(52) **U.S. Cl.**

*Assistant Examiner* — Vy Koenig

USPC ..... **D9/431**

(74) *Attorney, Agent, or Firm* — Ryan T. Grace; Advent, LLP

(58) **Field of Classification Search**

CPC ..... B29L 2031/7162; B29L 2031/7164;  
B29L 2031/7166; B65D 1/22; B65D 1/34;  
B65D 43/162; B65D 81/02; B65D 81/3813;  
B65D 5/00; B65D 5/001; B65D 5/0025;  
B65D 5/005; B65D 5/067-5/069; B65D 5/64;  
B65D 5/72; B65D 21/00

(57) **CLAIM**

The ornamental design for a container, as shown and described.

USPC ..... D9/415-419, 420-425, 428, 429-435,  
D9/708, 719, 734; D3/203.2, 272, 273,  
D3/294, 302-304; D7/538-542, 601, 602,  
D7/629; 220/780-806, 574-575;  
206/521.1, 541, 564; 229/100-101.3,  
229/106, 108-112, 124, 125, 162.1, 165,  
229/172, 182.1, 183, 185, 200, 210, 221,  
229/406, 407

**DESCRIPTION**

See application file for complete search history.

FIG. 1 is an isometric view of a container.  
FIG. 2 is a first side elevation view of the container of FIG. 1.  
FIG. 3 is a second side elevation view of the container of FIG. 1.  
FIG. 4 is a first end elevation view of the container of FIG. 1.  
FIG. 5 is a second end elevation view of the container of FIG. 1.  
FIG. 6 is a bottom plan view of the container of FIG. 1.  
FIG. 7 is a top plan view of the container of FIG. 1; and,  
FIG. 8 is a cross-sectional side elevation view of the container of FIG. 1, taken on the line 8-8 in FIG. 7.

(56) **References Cited**

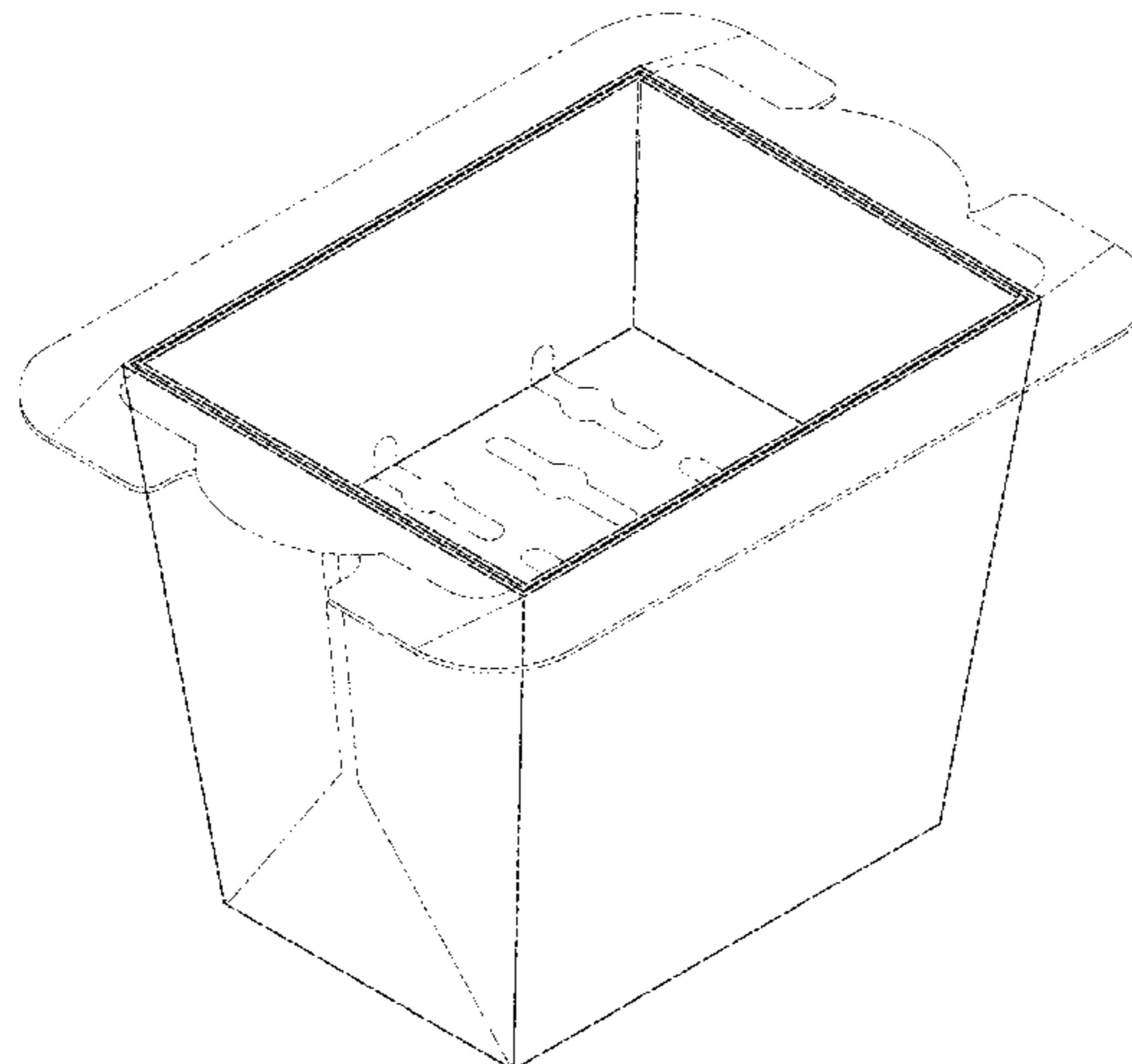
U.S. PATENT DOCUMENTS

113,893 A 4/1871 Joyce et al. .... 200/762  
166,102 A 7/1875 Hennaman ..... 220/525  
177,593 A 5/1876 Skelline  
181,823 A 9/1876 Cornwall ..... 99/425

Portions of FIGS. 1 through 7 are shown in broken lines for depicting environmental subject matter and form no part of the claimed design.

(Continued)

**1 Claim, 5 Drawing Sheets**



(56)

## References Cited

## U.S. PATENT DOCUMENTS

241,254 A	5/1881	Udell		3,286,832 A	11/1966	Pilger	206/56
254,770 A	3/1882	Hurd	99/450	3,287,140 A	11/1966	Brussell	
472,002 A	3/1892	Ross		3,293,048 A	12/1966	Kitterman	99/171
541,397 A	6/1895	Swartout	220/573	3,326,097 A	6/1967	Lokey	93/82
590,212 A	9/1897	Daesch	99/416	3,349,941 A	10/1967	Wanderer	220/23
637,838 A *	11/1899	Vernon	229/194	3,353,327 A	11/1967	Cutler et al.	53/28
851,983 A	4/1907	Entringer	210/314	3,353,707 A	11/1967	Eyles	206/519
899,244 A	9/1908	Chase	99/412	3,357,152 A	12/1967	Geigel	53/29
902,181 A	10/1908	Tidow	99/408	3,396,868 A	8/1968	Fitzgerald	206/508
948,198 A	2/1910	Wiegand	99/417	3,420,397 A	1/1969	Miller	220/203
952,572 A	3/1910	Meyer		3,421,654 A	1/1969	Hexel	
955,033 A	4/1910	Wing	99/428	3,424,342 A	1/1969	Scopp et al.	220/793
1,004,423 A	9/1911	Hanlon	220/759	3,445,050 A *	5/1969	Friehe et al.	220/23.88
1,099,603 A	6/1914	Ingersoll		3,447,714 A	6/1969	Elliot	206/1
1,263,004 A	4/1918	Tollagsen	126/369	3,489,075 A	1/1970	O'Reilly	99/450
1,341,960 A	6/1920	Meyer et al.	220/592	3,521,788 A	7/1970	Carter et al.	220/675
1,347,075 A	7/1920	Wittekind	220/573	3,547,661 A	12/1970	Stevenson	
1,476,910 A	12/1923	Naugle		3,608,770 A	9/1971	Naimoli	220/16
1,519,510 A	12/1924	Santarsiero	99/416	3,610,135 A	10/1971	Sheridan	
1,630,787 A	5/1927	Cullen	99/416	3,610,458 A	10/1971	Nissley	
1,765,862 A	6/1930	Clapp		3,615,646 A	10/1971	Neely et al.	
1,864,081 A	6/1932	Marr		3,620,834 A	11/1971	Duffy	117/213
1,906,592 A	5/1933	Hiester		3,637,132 A	1/1972	Gray	229/53
1,944,089 A	1/1934	Litchfield	150/9	3,638,784 A	2/1972	Bodolay et al.	206/45
1,985,978 A	5/1934	Thomas	426/113	3,641,926 A	2/1972	Williams et al.	99/448
2,021,465 A	11/1935	Ritscher	99/403	3,647,508 A	3/1972	Gorrell	117/38
2,039,374 A	5/1936	Young		3,669,688 A	6/1972	Thompson	
2,041,227 A	5/1936	Chalmers	229/87	3,718,480 A	2/1973	Tremblay et al.	
2,107,480 A	2/1938	Holton	126/377	3,741,427 A	6/1973	Doyle	220/573
2,149,872 A	3/1939	Schmidt	229/58	3,777,447 A	12/1973	Herbine et al.	53/36
2,200,977 A	5/1940	Baxter	426/95	3,811,374 A	5/1974	Mann	
2,271,921 A	2/1942	Luker		3,835,280 A	9/1974	Gades et al.	219/10
2,290,396 A	7/1942	Webster		3,836,042 A	9/1974	Petitto	
2,540,036 A	1/1951	Spencer		3,844,409 A	10/1974	Bodolay et al.	206/45
2,556,115 A	6/1951	Smith	99/417	3,851,574 A	12/1974	Katz et al.	426/107
2,559,101 A	7/1951	Wool		3,865,301 A	2/1975	Pothier et al.	
2,576,862 A	11/1951	Smith et al.		3,873,735 A	3/1975	Chalin et al.	426/87
2,591,578 A	4/1952	McNealy et al.		3,881,027 A	4/1975	Levinson	
2,600,566 A	6/1952	Moffett		3,884,213 A	5/1975	Smith	
2,650,485 A	9/1953	La Greca	220/23	3,884,383 A	5/1975	Burch et al.	220/675
2,660,529 A	11/1953	Bloom		3,893,567 A	7/1975	Davis et al.	206/520
2,667,422 A	1/1954	Kauffman	426/86	3,908,029 A	9/1975	Fredrickson	
2,673,805 A	3/1954	Colman	99/171	3,938,730 A	2/1976	Detzel et al.	229/120
2,673,806 A	3/1954	Colman	99/171	3,941,967 A	3/1976	Sumi et al.	
2,714,070 A	7/1955	Welch		3,956,866 A	5/1976	Lattur	53/29
2,741,559 A	4/1956	Banowitz	99/171	3,965,323 A	6/1976	Forker, Jr. et al.	
2,777,769 A	1/1957	Hodges	426/113	3,970,241 A	7/1976	Hanson	229/58
2,801,930 A	8/1957	Paulucci	99/193	3,973,045 A	8/1976	Brandberg et al.	426/110
2,805,392 A	9/1957	Schnoll	324/706	3,974,353 A	8/1976	Goltsos	
2,852,898 A	9/1958	Berg	53/182	3,975,552 A	8/1976	Stangroom	
2,858,970 A	11/1958	Barnes et al.	229/55	3,983,256 A	9/1976	Norris et al.	
2,865,768 A	12/1958	Barnes et al.	99/171	3,985,990 A	10/1976	Levinson	
D185,399 S	6/1959	Tupper		4,018,355 A	4/1977	Ando	220/522
2,960,218 A	11/1960	Cheeley		4,031,261 A	6/1977	Durst	
2,961,520 A	11/1960	Long		4,036,423 A	7/1977	Gordon	229/43
2,965,501 A	12/1960	Harriss	426/120	4,038,425 A	7/1977	Brandberg et al.	426/107
3,012,895 A	12/1961	Stelnicki		4,043,098 A	8/1977	Putnam, Jr. et al.	53/180 M
3,027,261 A	3/1962	Samara	99/171	4,065,583 A	12/1977	Ahlgren	
3,035,754 A	5/1962	Meister	229/53	4,077,853 A	3/1978	Coll-Palagos	204/20
3,052,554 A	9/1962	Colman	99/171	4,079,853 A	3/1978	Casutt	
3,068,779 A	12/1962	Eidlisz	219/733	4,082,184 A	4/1978	Hammer	206/519
3,070,275 A	12/1962	Bostrom	229/4	4,082,691 A	4/1978	Berger	
3,107,989 A	10/1963	Fesco	55/381	D248,215 S *	6/1978	Cherry	D9/418
3,109,359 A	11/1963	Falla	99/339	4,096,948 A	6/1978	Kuchenbecker	
3,141,400 A	7/1964	Powers		4,113,095 A	9/1978	Dietz et al.	
3,179,036 A	4/1965	Luker		4,118,913 A	10/1978	Putnam, Jr. et al.	53/551
3,191,520 A	6/1965	Halter		4,126,945 A	11/1978	Manser et al.	
3,219,460 A	11/1965	Brown		4,132,811 A	1/1979	Standing et al.	426/111
3,220,635 A	11/1965	Kasting et al.	229/57	4,133,896 A	1/1979	Standing et al.	
3,220,856 A	11/1965	Vischer		4,136,505 A	1/1979	Putnam, Jr. et al.	53/551
3,240,610 A	3/1966	Cease		4,138,054 A	2/1979	Spencer	229/23 BT
3,244,537 A	4/1966	Cease		4,140,889 A	2/1979	Mason et al.	
3,246,446 A	4/1966	Powers		4,154,860 A	5/1979	Daswick	
3,262,668 A	7/1966	Luker		4,156,806 A	5/1979	Teich et al.	219/10
3,271,169 A	9/1966	Baker et al.		4,164,174 A	8/1979	Wallsten	99/415
				4,171,605 A	10/1979	Putnam, Jr. et al.	53/552
				4,184,061 A	1/1980	Suzuki et al.	219/10
				4,186,217 A	1/1980	Tchack	426/523
				4,190,757 A	2/1980	Turpin et al.	219/10

(56)

## References Cited

## U.S. PATENT DOCUMENTS

- |               |         |                       |          |              |         |                    |         |
|---------------|---------|-----------------------|----------|--------------|---------|--------------------|---------|
| 4,196,331 A   | 4/1980  | Leveckis et al.       | 219/10   | 4,705,927 A  | 11/1987 | Levendusky et al.  | 219/10  |
| D255,751 S    | 7/1980  | Daenen                | D7/667   | 4,713,510 A  | 12/1987 | Quick et al.       | 219/10  |
| 4,219,573 A   | 8/1980  | Borek                 | 426/107  | 4,714,012 A  | 12/1987 | Hernandez          | 99/444  |
| 4,228,945 A   | 10/1980 | Wysocki               |          | 4,727,706 A  | 3/1988  | Beer               | 53/434  |
| 4,230,767 A   | 10/1980 | Isaka et al.          | 428/349  | 4,734,288 A  | 3/1988  | Engstrom et al.    | 426/107 |
| 4,230,924 A   | 10/1980 | Brastad et al.        | 219/10   | 4,738,882 A  | 4/1988  | Rayford et al.     | 428/35  |
| 4,233,325 A   | 11/1980 | Slangan et al.        |          | 4,739,698 A  | 4/1988  | Allaire            | 99/410  |
| 4,241,563 A   | 12/1980 | Müller et al.         | 53/511   | 4,739,898 A  | 4/1988  | Brown              | 220/203 |
| 4,242,378 A   | 12/1980 | Arai                  | 427/264  | 4,745,249 A  | 5/1988  | Daniels            |         |
| 4,258,086 A   | 3/1981  | Beall                 | 219/10   | 4,777,053 A  | 10/1988 | Tobelmann et al.   |         |
| 4,264,668 A   | 4/1981  | Balla                 | 428/195  | 4,794,005 A  | 12/1988 | Swiontek           |         |
| 4,267,420 A   | 5/1981  | Brastad               | 219/10   | 4,797,010 A  | 1/1989  | Coelho             | 383/109 |
| 4,279,933 A   | 7/1981  | Austin et al.         | 426/124  | 4,803,088 A  | 2/1989  | Yamamoto et al.    | 426/107 |
| 4,280,032 A   | 7/1981  | Levinson              |          | 4,804,582 A  | 2/1989  | Noding et al.      | 428/332 |
| 4,283,427 A   | 8/1981  | Winters et al.        | 426/107  | 4,806,718 A  | 2/1989  | Seaborne et al.    | 219/10  |
| 4,291,520 A   | 9/1981  | Prince et al.         | 53/551   | 4,808,780 A  | 2/1989  | Seaborne           | 219/10  |
| 4,292,332 A   | 9/1981  | McHam                 | 426/111  | 4,810,845 A  | 3/1989  | Seaborne           | 219/10  |
| 4,304,352 A   | 12/1981 | Humphries             | 229/31 R | 4,818,831 A  | 4/1989  | Seaborne           | 219/10  |
| 4,306,133 A   | 12/1981 | Levinson              |          | 4,825,025 A  | 4/1989  | Seiferth           | 219/10  |
| 4,316,070 A   | 2/1982  | Prosise et al.        | 219/10   | 4,842,876 A  | 6/1989  | Anderson et al.    |         |
| 4,317,017 A   | 2/1982  | Bowen                 |          | 4,846,350 A  | 7/1989  | Sorensen           | 206/520 |
| 4,324,088 A   | 4/1982  | Yamashita et al.      | 53/527   | 4,848,579 A  | 7/1989  | Barnes et al.      |         |
| 4,328,254 A * | 5/1982  | Waldburger            | 426/393  | 4,851,246 A  | 7/1989  | Maxwell et al.     | 426/107 |
| 4,335,291 A   | 6/1982  | Ishino et al.         | 219/10   | 4,853,505 A  | 8/1989  | Sorenson           |         |
| 4,340,138 A   | 7/1982  | Bernhardt             | 206/216  | 4,853,509 A  | 8/1989  | Murakami           |         |
| 4,345,133 A   | 8/1982  | Cherney et al.        | 219/10   | 4,864,089 A  | 9/1989  | Tighe et al.       | 219/10  |
| 4,348,421 A   | 9/1982  | Sakakibara et al.     | 426/394  | 4,864,090 A  | 9/1989  | Maxwell et al.     | 219/10  |
| 4,351,997 A   | 9/1982  | Mattisson et al.      |          | 4,870,233 A  | 9/1989  | McDonald et al.    |         |
| 4,355,757 A   | 10/1982 | Roccaforte            | 229/33   | 4,873,919 A  | 10/1989 | Janssen            |         |
| 4,373,511 A   | 2/1983  | Miles et al.          | 126/369  | 4,883,936 A  | 11/1989 | Maynard et al.     | 219/10  |
| 4,377,493 A   | 3/1983  | Boylan et al.         |          | D305,410 S * | 1/1990  | Tyler              | D9/425  |
| 4,389,438 A   | 6/1983  | Ohtsuki et al.        | 428/35   | 4,892,744 A  | 1/1990  | Ylvisaker          | 426/111 |
| 4,390,555 A   | 6/1983  | Levison               |          | 4,896,009 A  | 1/1990  | Pawlowski          | 219/10  |
| 4,398,994 A   | 8/1983  | Beckett               | 156/659  | 4,899,925 A  | 2/1990  | Bowden et al.      |         |
| 4,416,906 A   | 11/1983 | Watkins               |          | 4,904,488 A  | 2/1990  | LaBaw et al.       | 426/107 |
| 4,425,368 A   | 1/1984  | Watkins               |          | 4,914,266 A  | 4/1990  | Parks et al.       | 219/10  |
| 4,439,656 A   | 3/1984  | Peleg                 |          | 4,915,216 A  | 4/1990  | Magers             | 206/520 |
| 4,453,665 A   | 6/1984  | Roccaforte et al.     | 229/41 B | 4,915,780 A  | 4/1990  | Beckett            | 156/661 |
| 4,461,031 A   | 7/1984  | Blamer                | 383/123  | 4,920,251 A  | 4/1990  | Whitenack et al.   |         |
| 4,477,705 A   | 10/1984 | Danley et al.         |          | 4,922,079 A  | 5/1990  | Bowen et al.       |         |
| 4,478,349 A   | 10/1984 | Haverland, Jr. et al. |          | 4,923,704 A  | 5/1990  | Levinson           |         |
| 4,481,392 A   | 11/1984 | Nibbe et al.          |          | 4,924,048 A  | 5/1990  | Bunce et al.       |         |
| 4,486,640 A   | 12/1984 | Bowen et al.          | 219/729  | 4,935,592 A  | 6/1990  | Oppenheimer        |         |
| 4,493,685 A   | 1/1985  | Blamer                | 493/235  | 4,939,332 A  | 7/1990  | Hahn               |         |
| 4,496,815 A   | 1/1985  | Jorgensen             |          | 4,943,456 A  | 7/1990  | Pollart et al.     | 428/34  |
| 4,517,045 A   | 5/1985  | Beckett               | 156/345  | 4,948,932 A  | 8/1990  | Clough             | 219/10  |
| 4,518,651 A   | 5/1985  | Wolfe, Jr.            | 428/308  | 4,952,765 A  | 8/1990  | Toyosawa           |         |
| 4,529,089 A   | 7/1985  | Gasbarra et al.       | 206/525  | 4,959,516 A  | 9/1990  | Tighe et al.       | 219/10  |
| 4,532,397 A   | 7/1985  | McClelland            |          | 4,960,598 A  | 10/1990 | Swiontek           |         |
| D280,058 S    | 8/1985  | Carlson               | D7/629   | 4,961,944 A  | 10/1990 | Matoba et al.      |         |
| 4,535,889 A   | 8/1985  | Terauds               | 206/527  | 4,963,708 A  | 10/1990 | Kearns et al.      |         |
| 4,552,614 A   | 11/1985 | Beckett               | 156/640  | D312,189 S   | 11/1990 | Noel               |         |
| 4,553,010 A   | 11/1985 | Bohrer et al.         | 219/10   | 4,973,502 A  | 11/1990 | Holz Müller et al. |         |
| 4,571,337 A   | 2/1986  | Cage et al.           | 426/107  | 4,973,810 A  | 11/1990 | Brauner            | 219/10  |
| 4,581,989 A   | 4/1986  | Swartley              | 99/346   | 4,982,064 A  | 1/1991  | Hartman et al.     | 219/10  |
| 4,584,202 A   | 4/1986  | Roccaforte            | 426/111  | 4,987,280 A  | 1/1991  | Kanafani et al.    |         |
| 4,586,649 A   | 5/1986  | Webinger              | 229/114  | 4,990,349 A  | 2/1991  | Chawan et al.      |         |
| 4,610,755 A   | 9/1986  | Beckett               | 156/634  | 4,992,638 A  | 2/1991  | Hewitt et al.      |         |
| 4,612,431 A   | 9/1986  | Brown et al.          |          | 5,011,299 A  | 4/1991  | Black, Jr. et al.  | 383/126 |
| 4,626,352 A   | 12/1986 | Massey et al.         | 210/469  | 5,025,715 A  | 6/1991  | Sir                |         |
| 4,640,838 A   | 2/1987  | Isakson et al.        | 426/107  | 5,026,958 A  | 6/1991  | Palacios           |         |
| 4,641,005 A   | 2/1987  | Seiferth              | 219/10   | 5,035,800 A  | 7/1991  | Kopach             |         |
| 4,648,549 A   | 3/1987  | Trutna                | 229/143  | 5,038,009 A  | 8/1991  | Babbitt            | 219/10  |
| 4,657,141 A   | 4/1987  | Sorensen              | 206/519  | 5,039,001 A  | 8/1991  | Kinigakis et al.   | 229/120 |
| 4,661,326 A   | 4/1987  | Schainholz            | 422/310  | 5,041,295 A  | 8/1991  | Perry et al.       |         |
| 4,661,671 A   | 4/1987  | Maroszek              | 219/10   | 5,044,777 A  | 9/1991  | Watkins et al.     | 383/100 |
| 4,661,672 A   | 4/1987  | Nakanaga              |          | 5,050,791 A  | 9/1991  | Bowden et al.      |         |
| 4,677,905 A   | 7/1987  | Johnson               | 99/413   | 5,052,369 A  | 10/1991 | Johnson            |         |
| 4,678,882 A   | 7/1987  | Bohrer et al.         | 219/10   | 5,057,331 A  | 10/1991 | Levinson           | 426/243 |
| D291,522 S    | 8/1987  | Daenen et al.         | D7/667   | D321,302 S   | 11/1991 | Zimmerman          |         |
| 4,685,997 A   | 8/1987  | Beckett               | 156/629  | 5,063,072 A  | 11/1991 | Gillmore et al.    |         |
| 4,697,703 A   | 10/1987 | Will                  | 206/438  | 5,075,526 A  | 12/1991 | Sklenak et al.     |         |
| 4,701,585 A   | 10/1987 | Stewart               | 219/10   | 5,077,066 A  | 12/1991 | Mattson et al.     |         |
| 4,703,148 A   | 10/1987 | Mikulski et al.       |          | 5,081,330 A  | 1/1992  | Brandberg et al.   | 219/10  |
| 4,703,149 A   | 10/1987 | Sugisawa et al.       |          | 5,094,865 A  | 3/1992  | Levinson           |         |
|               |         |                       |          | 5,095,186 A  | 3/1992  | Russell et al.     | 219/10  |
|               |         |                       |          | 5,106,635 A  | 4/1992  | McCutchan et al.   |         |
|               |         |                       |          | 5,107,087 A  | 4/1992  | Yamada et al.      |         |
|               |         |                       |          | 5,108,768 A  | 4/1992  | So                 | 426/77  |

(56)

## References Cited

## U.S. PATENT DOCUMENTS

5,153,402 A	10/1992	Quick et al. ....	219/10	6,103,291 A	8/2000	Fernandez Tapia .....	426/523
5,176,284 A	1/1993	Sorensen .....	220/659	6,106,882 A	8/2000	Oh et al.	
5,189,947 A	3/1993	Yim .....	426/109	D432,414 S	10/2000	Simpson et al. ....	D9/711
5,190,777 A	3/1993	Anderson et al.		D432,914 S	10/2000	Hayes et al.	
5,195,829 A	3/1993	Watkins et al. ....	383/100	6,126,976 A	10/2000	Hasse, Jr. et al.	
5,200,590 A	4/1993	Bowen et al. ....	219/10	6,136,355 A	10/2000	Fukuyama	
D335,445 S	5/1993	Detert et al. ....	D9/761	D433,884 S	11/2000	Fujimoto .....	D7/667
D335,821 S	5/1993	Detert et al. ....	D9/761	6,147,337 A	11/2000	Besser	
D336,242 S	6/1993	Detert et al. ....	D9/761	6,150,646 A	11/2000	Lai et al.	
5,223,291 A	6/1993	Levinson et al.		6,168,044 B1	1/2001	Zettle et al. ....	220/784
5,230,914 A	7/1993	Akervik		6,175,105 B1	1/2001	Rubbright et al.	
5,241,149 A	8/1993	Watanabe et al.		6,180,148 B1	1/2001	Yajima	
D341,990 S	12/1993	Yim		6,180,150 B1	1/2001	Schäfer	
5,294,765 A	3/1994	Archibald et al. ....	219/727	6,183,789 B1	2/2001	Nilsson et al.	
5,298,708 A	3/1994	Babu et al. ....	219/728	6,187,354 B1	2/2001	Hopkins	
5,300,747 A	4/1994	Simon		6,192,792 B1	2/2001	Gremillion	
5,315,083 A	5/1994	Green		6,196,406 B1	3/2001	Ennis	
5,363,750 A	11/1994	Miller et al. ....	99/426	6,217,918 B1	4/2001	Oh et al.	
D353,303 S	12/1994	Davis		D441,597 S	5/2001	Wyche	
5,370,042 A	12/1994	Tolchin et al.		D442,425 S	5/2001	Wyche	
5,419,451 A	5/1995	Bitel, Jr. ....	220/306	6,229,131 B1	5/2001	Koochaki	
5,423,453 A	6/1995	Fritz		6,230,919 B1	5/2001	Guillin .....	220/315
5,520,301 A	5/1996	Sohn .....	220/265	D445,633 S	7/2001	Bradley	
D370,598 S	6/1996	Koch		D449,102 S	10/2001	Shin .....	D23/366
D371,963 S	7/1996	Ahern, Jr.		D449,495 S	10/2001	Tucker et al.	
5,540,381 A	7/1996	Davis .....	229/103	6,309,684 B2	10/2001	Hopkins, Sr. ....	426/234
5,558,798 A	9/1996	Tsai		6,394,337 B1	5/2002	Ross et al. ....	229/103
D376,512 S	12/1996	Klemme .....	D7/538	6,396,036 B1	5/2002	Hanson .....	219/727
5,588,587 A	12/1996	Stier et al.		6,422,453 B1	7/2002	Wang	
D378,565 S	3/1997	Cousins .....	D7/667	6,455,084 B2	9/2002	Johns	
D378,566 S	3/1997	Cousins .....	D7/667	6,463,844 B1	10/2002	Wang et al.	
5,645,300 A	7/1997	Hill		6,467,399 B1	10/2002	Boutte	
5,645,762 A	7/1997	Cook et al.		6,486,455 B1	11/2002	Merabet	
5,650,084 A	7/1997	Bley .....	219/727	D466,762 S	12/2002	Cote et al. ....	D7/545
D384,555 S	10/1997	Bradley		6,509,047 B2	1/2003	Edomwonyi	
5,674,546 A	10/1997	Barnes et al.		D470,768 S	2/2003	Melhede .....	D9/428
D386,042 S	11/1997	Miller		6,559,431 B2	5/2003	Hopkins .....	219/735
5,690,853 A	11/1997	Jackson et al. ....	219/727	6,565,910 B1	5/2003	Schell et al. ....	426/589
5,695,801 A	12/1997	Oh		D477,187 S	7/2003	McCallister et al.	
5,698,306 A	12/1997	Prosisie et al.		6,608,292 B1	8/2003	Barnes	
5,704,485 A	1/1998	Cautereels et al. ....	206/546	6,612,482 B2	9/2003	Ross .....	229/103
5,718,933 A	2/1998	Fultz .....	426/115	6,645,539 B2	11/2003	Bukowski et al.	
D391,440 S	3/1998	Cousins .....	D7/360	D483,616 S	12/2003	Thonis	
5,726,426 A	3/1998	Davis et al.		D485,473 S	1/2004	Dais et al. ....	D7/629
5,741,534 A	4/1998	Chung		6,727,484 B2	4/2004	Policappelli	
5,747,086 A	5/1998	Bows et al.		6,803,551 B2	10/2004	Kim et al. ....	219/731
5,753,895 A	5/1998	Olson et al. ....	219/727	D497,774 S	11/2004	Smith et al. ....	D7/543
5,770,840 A	6/1998	Lorence		6,818,873 B2	11/2004	Savage et al.	
5,807,597 A	9/1998	Barnes et al.		6,840,159 B1	1/2005	Li .....	99/337
D405,561 S	2/1999	Willinger et al. ....	D30/129	D502,847 S	3/2005	Leonorì .....	D7/667
5,866,041 A	2/1999	Svarz et al.		6,868,980 B2	3/2005	Schultz et al. ....	220/367
5,869,120 A	2/1999	Blazevich .....	426/132	D505,048 S	5/2005	Cornfield .....	D7/409
5,871,790 A	2/1999	Monier et al. ....	426/107	D505,590 S	5/2005	Greiner et al. ....	D7/409
5,876,811 A	3/1999	Blackwell et al.		D508,822 S	8/2005	Smith et al.	
5,900,264 A	5/1999	Gics		D513,942 S	1/2006	De Groote .....	D7/665
5,913,966 A	6/1999	Arnone et al. ....	99/413	7,008,214 B2	3/2006	Faddi .....	425/382 R
5,916,470 A	6/1999	Besser et al.		7,022,359 B2	4/2006	Montserrat Gibernau	
5,916,620 A	6/1999	Oh		7,025,213 B2	4/2006	Chen .....	210/474
5,925,281 A	7/1999	Levinson		D521,380 S	5/2006	Jackson et al.	
5,928,554 A	7/1999	Olson et al. ....	219/727	7,038,181 B2	5/2006	Edmark	
5,931,333 A	8/1999	Woodnorth et al. ....	220/573	7,045,190 B2	5/2006	Inagaki et al.	
5,961,872 A	10/1999	Simon et al.		D526,840 S	8/2006	Carlson .....	D7/392
5,970,858 A	10/1999	Boehm et al. ....	99/446	7,090,090 B2	8/2006	Ohyama	
5,974,953 A	11/1999	Messerli .....	99/340	D529,797 S	10/2006	Wilcox et al. ....	D9/428
5,986,248 A	11/1999	Matsuno et al. ....	219/728	D543,796 S	6/2007	Lion et al. ....	D7/667
5,988,045 A	11/1999	Housley		D552,433 S	10/2007	Stewart .....	D7/667
5,988,050 A	11/1999	Foster, Jr. ....	99/467	D557,982 S	12/2007	Ablo .....	D7/409
D418,017 S	12/1999	Henry		D558,536 S	1/2008	Curtin .....	D7/667
D419,371 S	1/2000	Haley .....	D7/392	D558,602 S	1/2008	Kissner et al. ....	D9/711
6,018,157 A	1/2000	Craft		D563,157 S	3/2008	Bouveret et al.	
6,042,856 A	3/2000	Sagan et al. ....	426/67	D564,287 S	3/2008	Bouveret et al.	
D422,176 S	4/2000	Laib .....	D7/392	D564,307 S	3/2008	Repp .....	D7/667
6,049,072 A	4/2000	Olson et al. ....	219/727	D571,656 S	6/2008	Maslowski .....	D9/425
6,085,930 A	7/2000	Curtis .....	220/371	D577,295 S	9/2008	Miller et al. ....	D9/711
6,097,017 A	8/2000	Pickford		D582,201 S	12/2008	Kellerman	
				D582,791 S	12/2008	Elmerhaus .....	D9/721
				7,468,498 B2	12/2008	Tuszkiewicz et al. ....	219/725
				D584,111 S	1/2009	Eide et al. ....	D7/667
				D584,145 S	1/2009	Young	

(56)

References Cited

U.S. PATENT DOCUMENTS

D590,663 S 4/2009 Simon et al.  
 D591,591 S 5/2009 Moecks et al.  
 D592,948 S 5/2009 Mayer ..... D9/418  
 D593,369 S 6/2009 Green et al. .... D9/428  
 D594,328 S 6/2009 Shapiro et al. .... D9/435  
 D598,717 S 8/2009 Jalet ..... D7/667  
 D607,095 S 12/2009 LeMay et al. .... D23/366  
 D610,903 S 3/2010 Shapiro et al. .... D9/428  
 D611,300 S 3/2010 Chen et al. .... D7/409  
 D612,196 S 3/2010 Furlong ..... D7/392  
 D613,131 S 4/2010 Chen et al. .... D7/667  
 D630,061 S 1/2011 Kellerman  
 D630,507 S 1/2011 Short et al. .... D9/427  
 D630,940 S 1/2011 Shapiro et al. .... D9/428  
 D632,561 S 2/2011 Short et al. .... D9/427  
 D633,810 S 3/2011 Jenkins ..... D9/721  
 D635,816 S 4/2011 France et al. .... D7/354  
 D635,817 S 4/2011 France et al. .... D7/354  
 D636,218 S 4/2011 France et al. .... D7/354  
 7,977,612 B2 7/2011 Levy et al. .... 219/729  
 D653,495 S 2/2012 France et al. .... D7/354  
 D680,426 S \* 4/2013 Baker ..... D9/431  
 2001/0035402 A1 11/2001 Barrow ..... 219/432  
 2001/0043971 A1 11/2001 Johns  
 2001/0050002 A1 12/2001 Bonanno  
 2002/0096450 A1 7/2002 Garst ..... 206/516  
 2002/0110622 A1 8/2002 Lloyd et al. .... 426/115  
 2003/0003200 A1 1/2003 Bukowski et al.  
 2003/0068411 A1 4/2003 McCallister ..... 426/107  
 2003/0167932 A1 9/2003 Chen  
 2003/0213718 A1 11/2003 Ducharme et al.  
 2004/0058038 A1 \* 3/2004 Lee ..... 426/107  
 2004/0107637 A1 6/2004 Sieverding ..... 47/83  
 2004/0121049 A1 6/2004 Ebner et al.  
 2004/0164075 A1 8/2004 Henze et al. .... 219/740  
 2004/0216620 A1 11/2004 Quiggins et al.  
 2004/0238438 A1 12/2004 Chen ..... 210/474  
 2005/0040161 A1 2/2005 Lin et al.  
 2005/0051549 A1 3/2005 Nelson ..... 220/23  
 2005/0069602 A1 3/2005 Faddi ..... 425/208  
 2005/0079250 A1 4/2005 Mao et al. .... 426/113  
 2005/0079252 A1 4/2005 Kendig et al. .... 426/125  
 2005/0082305 A1 4/2005 Dais et al.  
 2005/0092762 A1 5/2005 Murat et al.  
 2005/0109772 A1 5/2005 Thorpe et al.  
 2005/0112243 A1 5/2005 Bellmann ..... 426/106  
 2005/0115417 A1 6/2005 Murat et al. .... 99/413  
 2005/0208182 A1 9/2005 Gilbert et al. .... 426/87  
 2005/0220939 A1 10/2005 Morrow ..... 426/86  
 2005/0229793 A1 10/2005 Wengrovsky ..... 99/483  
 2005/0256060 A1 11/2005 Hilgers et al. .... 514/25  
 2005/0271776 A1 12/2005 Siegel ..... 426/138  
 2005/0281921 A1 12/2005 Langston et al.  
 2006/0013929 A1 1/2006 Morris et al.  
 2006/0088678 A1 4/2006 Berrier et al.  
 2006/0110498 A1 5/2006 Dellinger et al.  
 2006/0118552 A1 6/2006 Tiefenback  
 2006/0121168 A1 6/2006 Flaherty et al.  
 2006/0151339 A1 7/2006 Bradley et al.  
 2006/0236593 A1 10/2006 Cap  
 2006/0260598 A1 11/2006 Bjork et al.  
 2006/0289522 A1 12/2006 Middleton et al. .... 219/730  
 2007/0029314 A1 2/2007 Rodgers et al.  
 2007/0059406 A1 3/2007 Shahsvarani ..... 426/106  
 2007/0090103 A1 4/2007 France et al. .... 219/400  
 2007/0116806 A1 5/2007 Parsons ..... 426/107  
 2007/0116807 A1 \* 5/2007 Parsons ..... 426/107  
 2007/0131679 A1 6/2007 Edwards et al.  
 2007/0181008 A1 8/2007 Pawlick et al. .... 99/450  
 2007/0251874 A1 11/2007 Stewart ..... 210/232  
 2008/0069485 A1 3/2008 France et al.  
 2008/0138473 A1 6/2008 Pawlick et al.  
 2008/0178744 A1 7/2008 Hill ..... 99/323  
 2008/0210686 A1 9/2008 Shapiro et al.  
 2009/0022858 A1 1/2009 Pawlick

2009/0035433 A1 2/2009 France et al. .... 426/510  
 2009/0078125 A1 3/2009 Pawlick et al. .... 99/448  
 2009/0142455 A1 6/2009 Parsons ..... 426/120  
 2010/0015293 A1 \* 1/2010 Shapiro et al. .... 426/87

FOREIGN PATENT DOCUMENTS

EP 0326105 A1 8/1989  
 EP 0 449 643 A1 10/1991  
 EP 1 245 504 A1 10/2002  
 EP 1 352 841 A1 10/2003  
 EP 1 352 848 A1 10/2003  
 EP 1 514 804 A1 3/2005  
 EP 1 464 262 B1 7/2005  
 EP 1 612 150 A1 1/2006  
 EP 1 749 757 A2 2/2007  
 FR 2 631 315 A3 11/1989  
 FR 2 774 262 A1 8/1999  
 FR 2 846 196 A1 4/2004  
 FR 2 860 213 4/2005  
 FR 2 929 491 10/2009  
 GB 1 560 488 2/1980  
 GB 2 218 962 A 11/1989  
 GB 2 295 371 A 5/1996  
 GB 2 308 465 A 6/1997  
 GB 2 340 823 A 3/2000  
 JP 2-109882 4/1990  
 JP 4367476 A 12/1992  
 JP 06293366 10/1994  
 JP 09051767 2/1997  
 JP 10094370 A 4/1998  
 JP 10-129742 5/1998  
 JP 11113511 4/1999  
 JP 2001348074 A 12/2001  
 JP 2005059863 A 3/2005  
 JP 2005-312923 11/2005  
 JP 2006-034645 2/2006  
 JP 2010-189031 9/2010  
 MX 01011879 A 6/2002  
 SU 1149999 A 4/1985  
 WO WO 86/00275 1/1986  
 WO WO 96/07604 3/1996  
 WO WO 98/33399 8/1998  
 WO WO 99/59897 11/1999  
 WO WO 02/051716 7/2002  
 WO WO 03/086882 A1 10/2003  
 WO WO 2004/045970 A1 6/2004  
 WO WO 2006/098950 A2 9/2006  
 WO WO 2006/128156 A2 11/2006  
 WO WO 2006/136825 A1 12/2006  
 WO WO 2007/003864 A2 1/2007  
 WO WO 2008/109448 A2 9/2008  
 WO WO 2008/109448 A3 9/2008  
 WO WO 2009/097030 A1 8/2009  
 WO WO 2009/136038 A1 11/2009

OTHER PUBLICATIONS

U.S. Official Action mailed Sep. 27, 2013, in U.S. Appl. No. 11/423,259.  
 U.S. Official Action mailed Sep. 19, 2013, in U.S. Appl. No. 12/471,114.  
 U.S. Notice of Allowance and Fee Due Mailed Nov. 30, 2012 in U.S. Appl. No. 29/424,416.  
 Succinylated Monoglycerides; <http://www.fao.org/ag/agn/jecfa-additives/specs/Monograph1/Additive-443.pdf>; 1982; obtained Sep. 14, 2012.  
 U.S. Official Action mailed Jul. 3, 2013, in U.S. Appl. No. 11/286,008.  
 U.S. Official Action mailed Aug. 21, 2013, in U.S. Appl. No. 11/890,297.  
 McCallister, "Microwaveable Pasta Product," U.S. Appl. No. 09/965,300, filed Sep. 28, 2001.  
 "Cafe Steamers," HealthyChoice.com, [http://www.healthychoice.com/products/meals/cafe\\_steamers.jsp](http://www.healthychoice.com/products/meals/cafe_steamers.jsp) (Retrieved Aug. 2007), 1 pg.  
 "Ziploc® Containers With Snap'n'Seal Lids: Designed With You in Mind," brochure found at <http://www.ziploc.com/food-storage-containers/>, (Retrieved Nov. 14, 2005), 2 pgs.

(56)

## References Cited

## OTHER PUBLICATIONS

“Ziploc® Containers With Snap’n’Seal Lids: Storage Made Simpler!” brochure found at [http://www.ziploc.com/new\\_containers.html](http://www.ziploc.com/new_containers.html), (Retrieved Nov. 14, 2005), 1 pg.

Anchor Hocking ’70 Catalog, p. 83, baking dishes at #4, 5 and 6 (Oct. 1970), 1 pg.

Photographs of a food tray available from Inter Frost GmbH at a trade show in Germany, Oct. 2005, 3 pgs.

[http://www.unclebens.de/produkte/heiss\\_auf\\_reis/heiss\\_auf\\_reis\\_uebersicht.aspx](http://www.unclebens.de/produkte/heiss_auf_reis/heiss_auf_reis_uebersicht.aspx), Mars Inc., 2006, 1 pg.

<http://www.pastanmoresale.com>, site accessed Jun. 15, 2010, 2 pgs. (now being sold at <http://pastaboat.com>).

Starmaid Microwave Steamer Jun. 26, 2006, [on line], retrieved on Oct. 13, 2011. Retrieved from the Internet: URL:<<http://www.flickr.com/photos/starmaid/5180282532/>>.

Progressive International Mini Steamer (on line), Jul. 18, 2006/ retrieved from the Internet at the URL listed in the column immediately following this column.

[http://www.google.com/search?q=microwave+steamer&hl=en&biw=1291&bih=1015&sa=X&ei=OZuXTtqGMKbt0gGMyoHWBA&ved=0CAkQpwUoBg&Source=Int&tbs=cdr%3A1%2Ccd\\_min%3A%2Ccd\\_max%3A8%2F2%2F2007&tbs=#pq=microwave+steamer&hl=en&sugexp=gsih&cp=12&gs\\_id=9&xhr=t&q=microwave+mini+steamer&pf=p&sclient=psy-ab&biw=1291&bih=1015&tbs=img:1%2Ccdr%3A1%2Ccd\\_max%3A8%2F2%2F2006&](http://www.google.com/search?q=microwave+steamer&hl=en&biw=1291&bih=1015&sa=X&ei=OZuXTtqGMKbt0gGMyoHWBA&ved=0CAkQpwUoBg&Source=Int&tbs=cdr%3A1%2Ccd_min%3A%2Ccd_max%3A8%2F2%2F2007&tbs=#pq=microwave+steamer&hl=en&sugexp=gsih&cp=12&gs_id=9&xhr=t&q=microwave+mini+steamer&pf=p&sclient=psy-ab&biw=1291&bih=1015&tbs=img:1%2Ccdr%3A1%2Ccd_max%3A8%2F2%2F2006&)

Mini Steamer—Progressive International / Starmaid vegetable steamer. [on line], retrieved Oct. 21, 2011. Retrieved from the Internet: URL:<[http://www.campingcookwarepro.com/Progressive\\_International\\_Microwavable\\_Mini\\_Steamer](http://www.campingcookwarepro.com/Progressive_International_Microwavable_Mini_Steamer)>.

Tupperware India, Cook easy Microsteamer. The Hindu Business Line. [on line]. Jun. 26, 2003, retrieved on Oct. 21, 2011. Retrieved from the Internet: URL:<<http://www.thehindubusinessline.in/catalyst/2003/06/26/stories/2003062600070406.htm>>.

Microwave mini steamer, Lunch in a Box, [on line] Feb. 12, 2007, retrieved on Oct. 13, 2011. Retrieved from the Internet: URL:<<http://www.flickr.com/photos/24506652@N00/388209604/>>.

Microwave steamer 2, Oct. 16, 2006, [on line]. Retrieved from the Internet: URL:<<http://www.flickr.com/photos/momsinmind/271170248/>>.

U.S. Official Action Mailed Jan. 16, 2014, in U.S. Appl. No. 12/277,886.

U.S. Official Action Mailed Jan. 16, 2014, in U.S. Appl. No. 11/286,008.

U.S. Official Action Mailed Jan. 22, 2014, in U.S. Appl. No. 12/471,114.

U.S. Official Action Mailed Jan. 29, 2014, in U.S. Appl. No. 12/040,641.

“Propylene Glycol Monostearate”; *Hawley’s Condensed Chemical Dictionary Thirteenth Edition*; 1997.

U.S. Official Action mailed Jan. 24, 2013, in U.S. Appl. No. 12/471,114.

International Search Report mailed Dec. 4, 2013 in Application No. PCT/US2013/044064.

U.S. Official Action Mailed Mar. 21, 2014, in U.S. Appl. No. 11/703,066.

U.S. Official Action Mailed Apr. 14, 2014, in U.S. Appl. No. 11/423,259.

U.S. Official Action Mailed Apr. 21, 2014, in U.S. Appl. No. 11/424,520.

U.S. Official Action Mailed Jun. 16, 2014, in U.S. Appl. No. 12/277,886.

\* cited by examiner

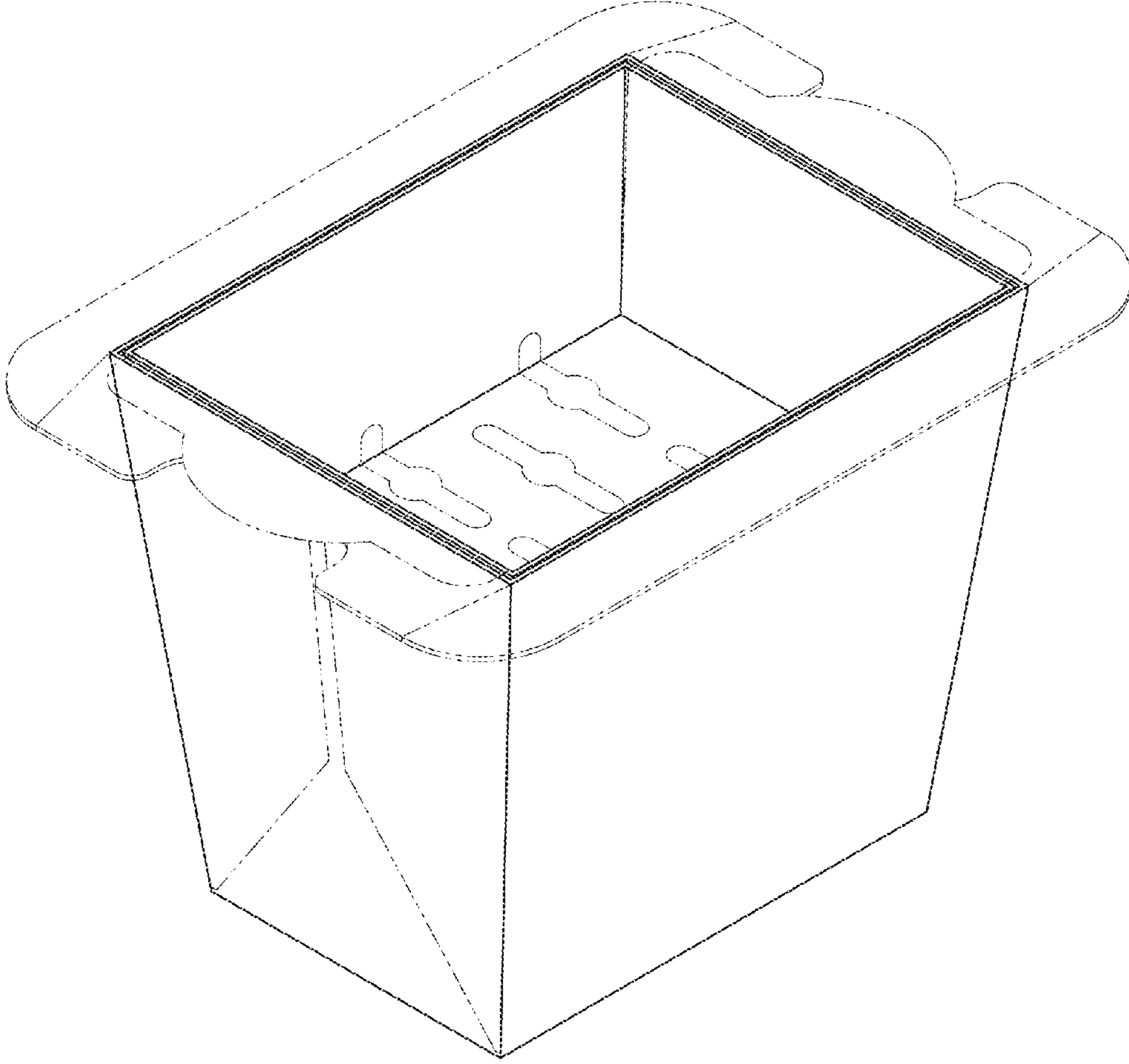


FIG. 1

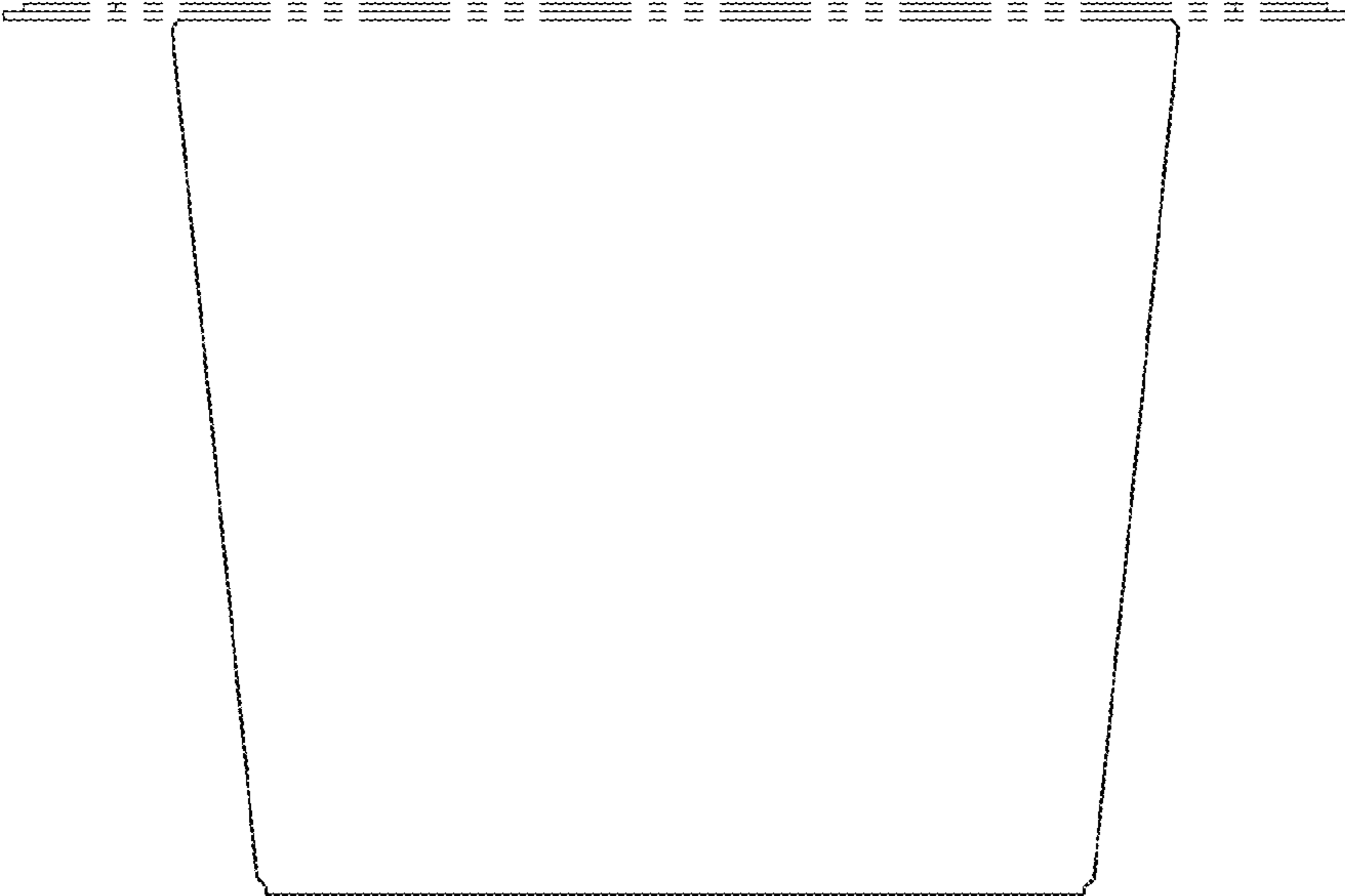


FIG. 2

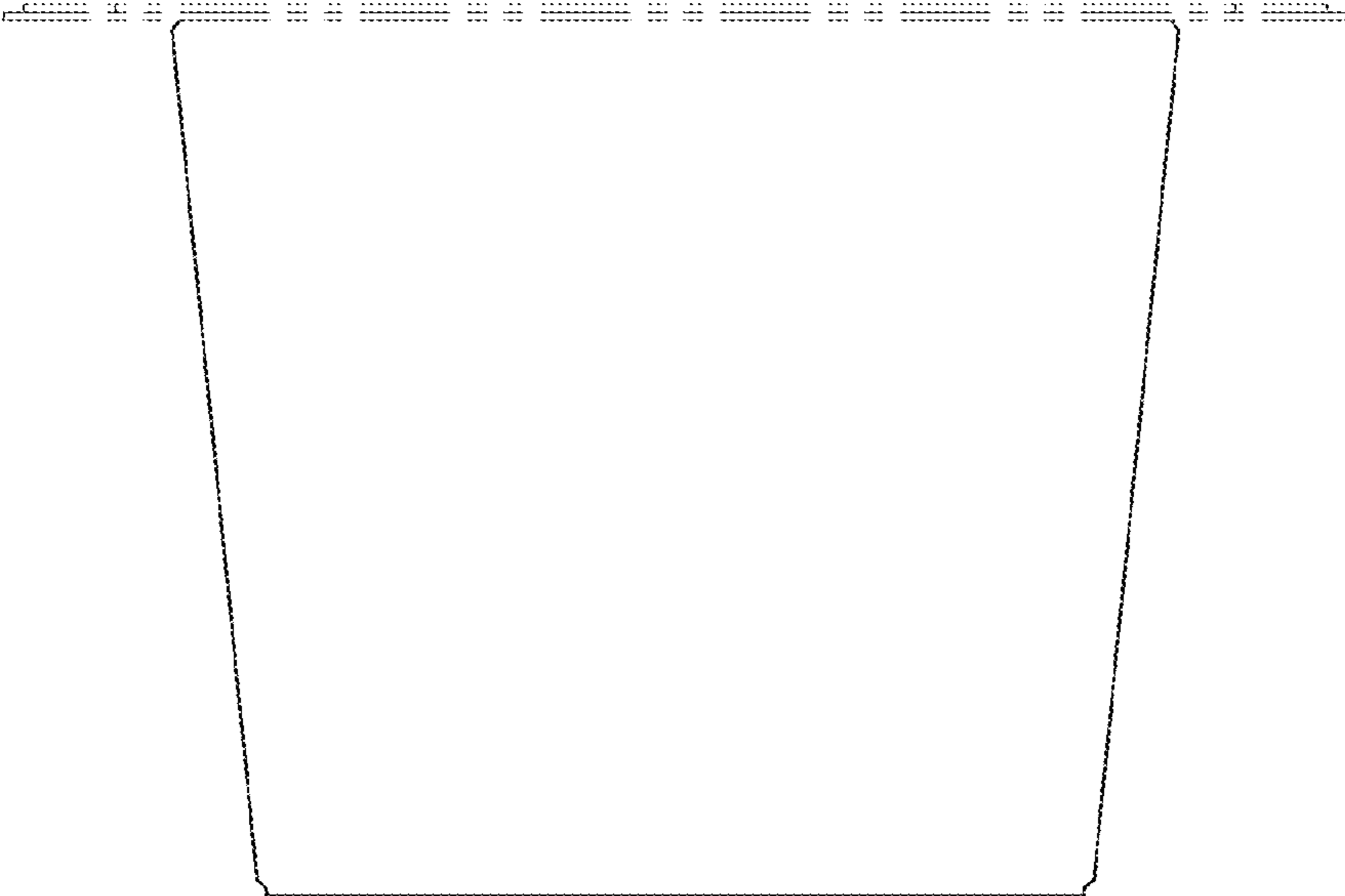
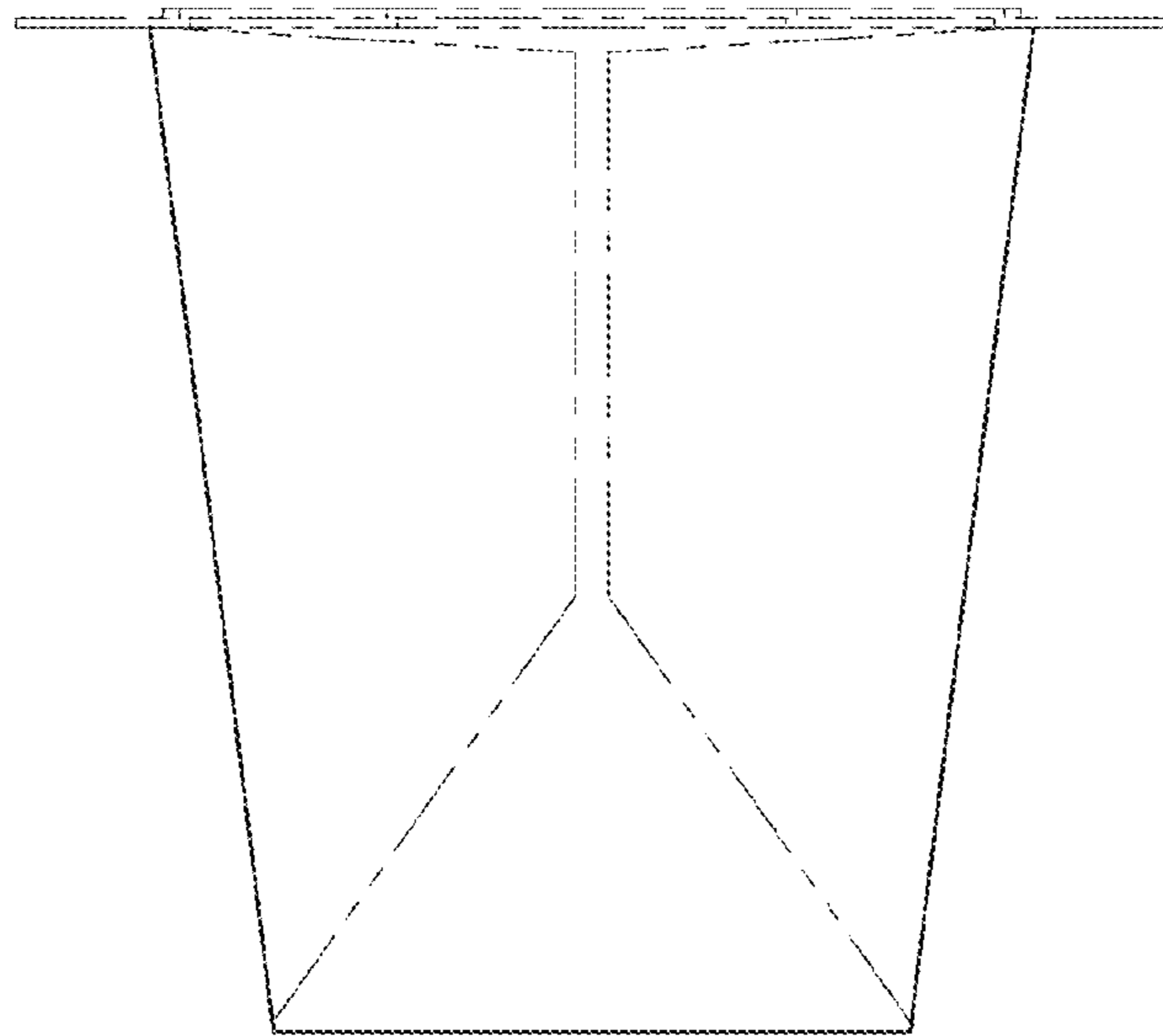
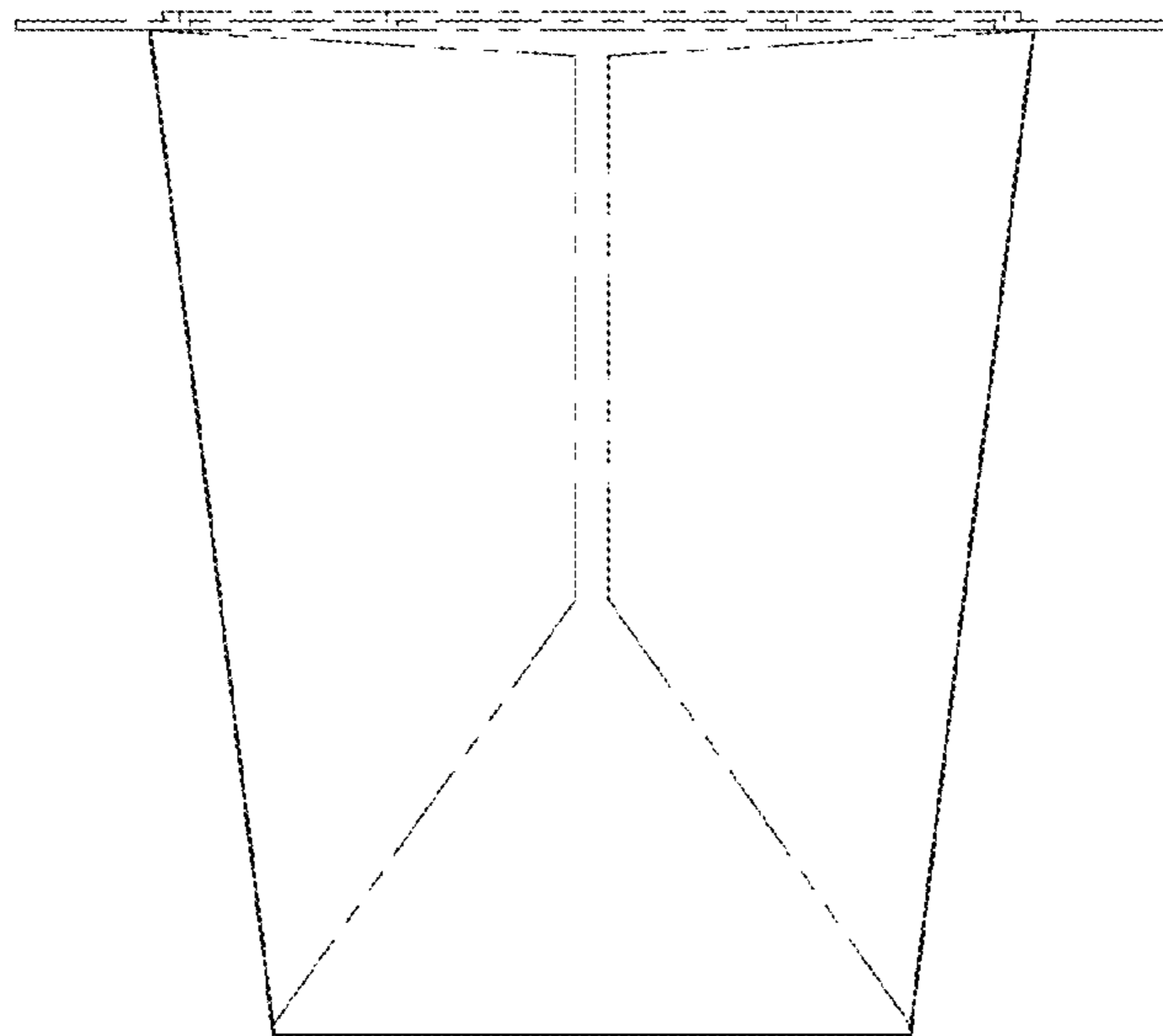


FIG. 3





**FIG. 4**



**FIG. 5**

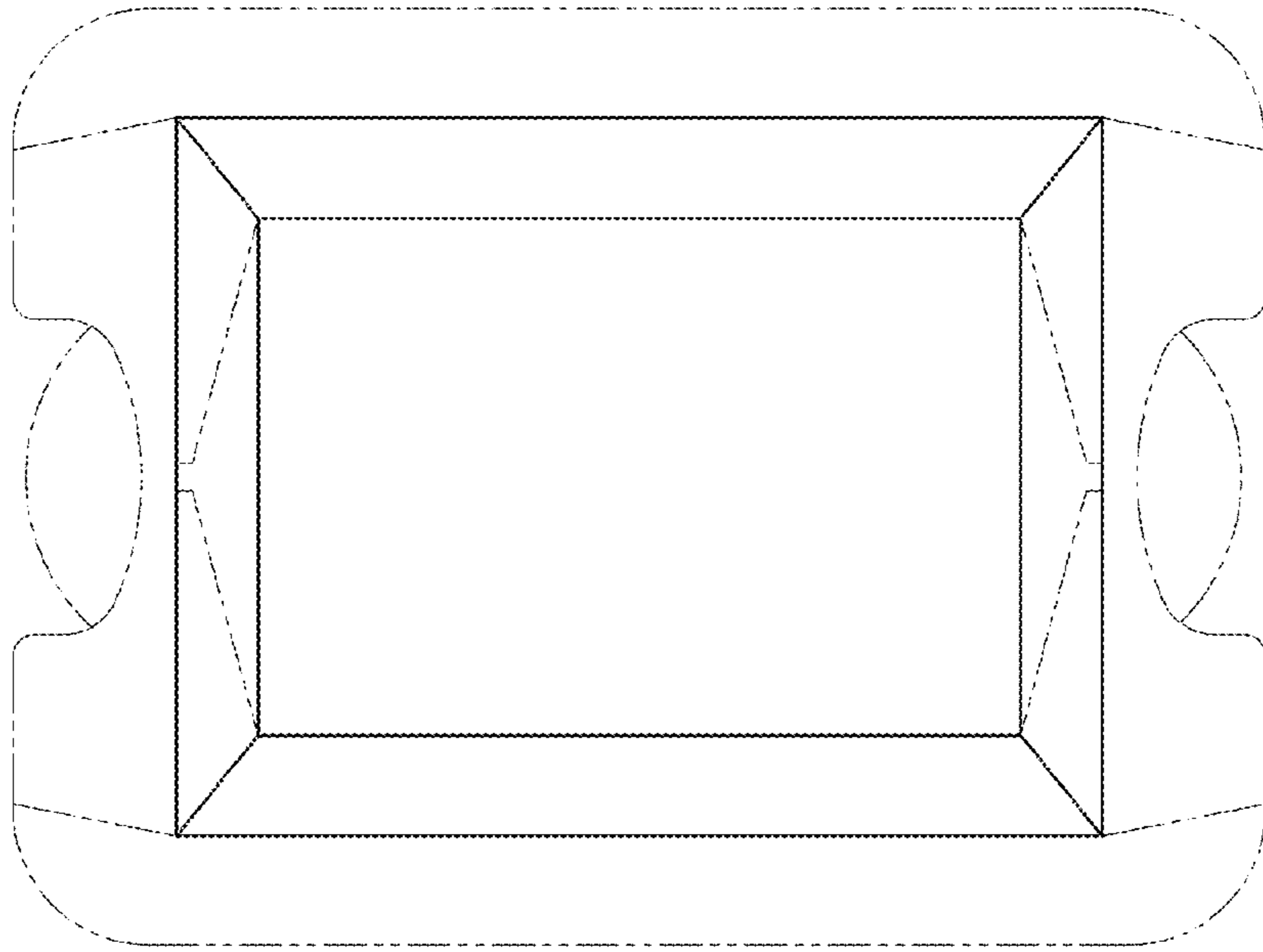


FIG. 6

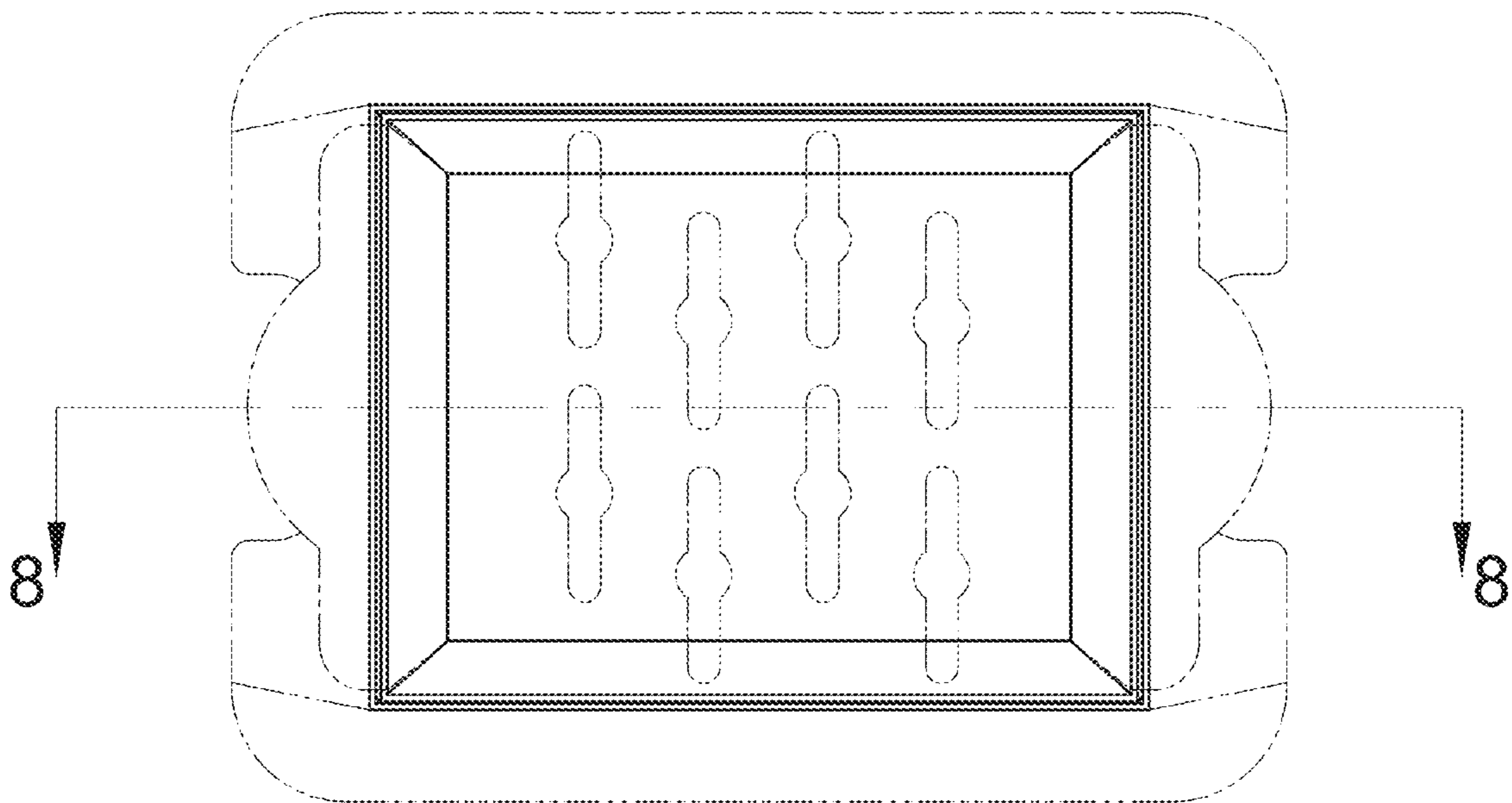


FIG. 7

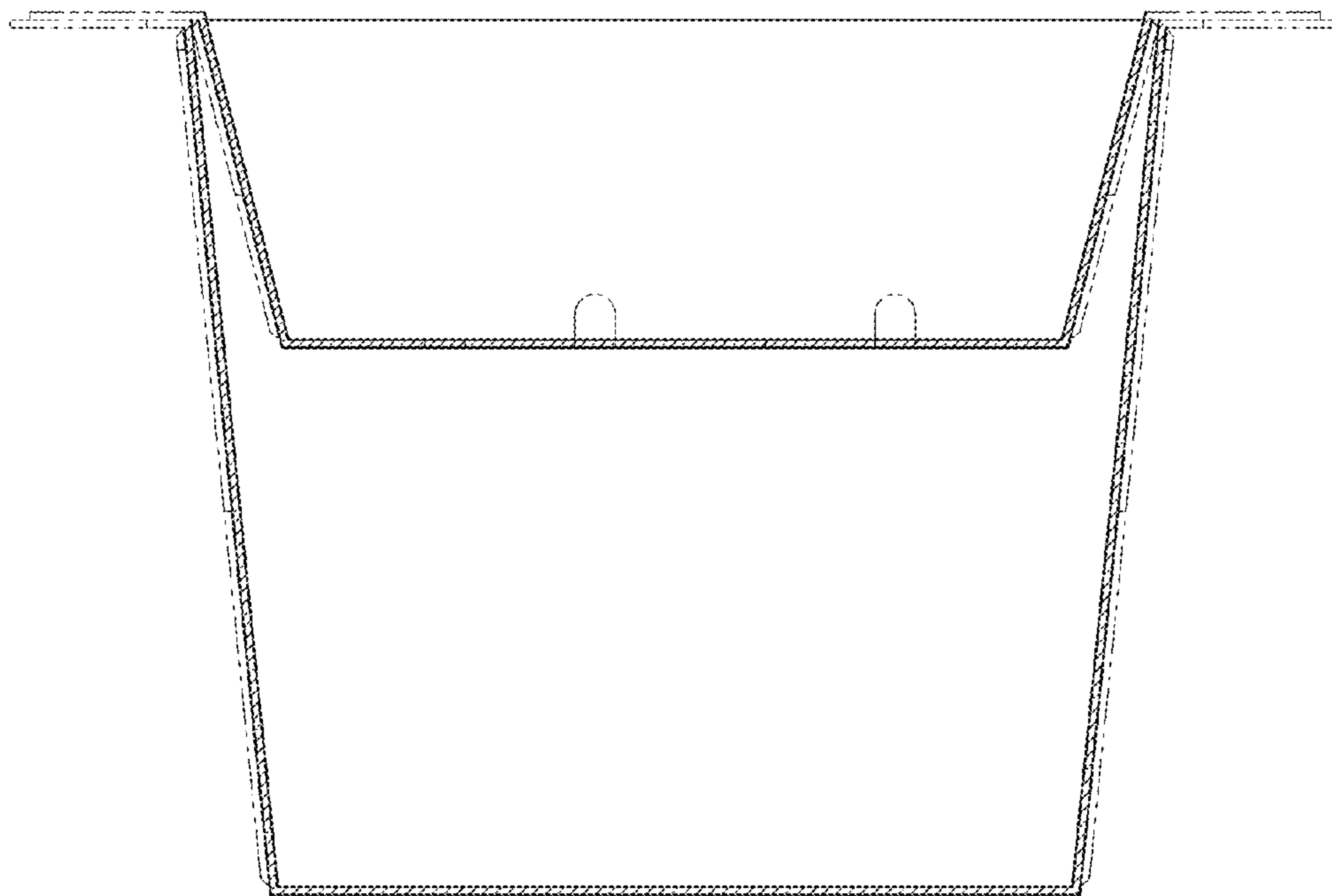


FIG. 8