



US00D717161S

(12) **United States Design Patent**
Liu

(10) **Patent No.:** **US D717,161 S**
(45) **Date of Patent:** **** Nov. 11, 2014**

- (54) **PACKAGING DEVICE**
- (71) Applicant: **Scott P. Liu**, Diamond Bar, CA (US)
- (72) Inventor: **Scott P. Liu**, Diamond Bar, CA (US)
- (73) Assignee: **Thermosource Tooling and Manufacturing, Inc.**
- (**) Term: **14 Years**
- (21) Appl. No.: **29/446,061**
- (22) Filed: **Feb. 20, 2013**
- (51) **LOC (10) Cl.** **09-03**
- (52) **U.S. Cl.**
USPC **D9/426**
- (58) **Field of Classification Search**
CPC B65D 2543/00685; B65D 2543/00796;
B65D 2543/00194; B65D 2251/1033; B65D
2543/00555; B65D 2543/00351; B65D
43/0254; B65D 2543/00027; B65D 2575/368
USPC D9/418, 420-426, 432; D3/203.2, 294;
206/503, 521.1, 541, 564, 23.83, 315,
206/324, 326, 367, 556, 835; 220/780-806,
220/574-575, 4.24; D7/601, 602, 629,
D7/538-542
See application file for complete search history.

(56) **References Cited**

U.S. PATENT DOCUMENTS

D246,289 S *	11/1977	Boucher	D7/602
4,576,330 A	3/1986	Schepp		
4,643,329 A	2/1987	Mobberley et al.		
4,771,934 A	9/1988	Kalmanides		
4,886,204 A	12/1989	Kalmanides		
4,942,974 A	7/1990	Larrison		
4,949,527 A	8/1990	Boeckmann et al.		
5,085,031 A	2/1992	McDonald		
5,249,406 A	10/1993	Kalmanides		
5,584,408 A	12/1996	Orkisz		

5,613,607 A	3/1997	Kalmanides et al.
D396,804 S	8/1998	Orkisz
D398,227 S	9/1998	Orkisz

(Continued)

FOREIGN PATENT DOCUMENTS

EP	2 030 908 A1	3/2009
EP	1 607 344 B1	8/2010
EP	1 725 469 B1	5/2011

Primary Examiner — Thomas Johannes

(74) *Attorney, Agent, or Firm* — Maceiko IP

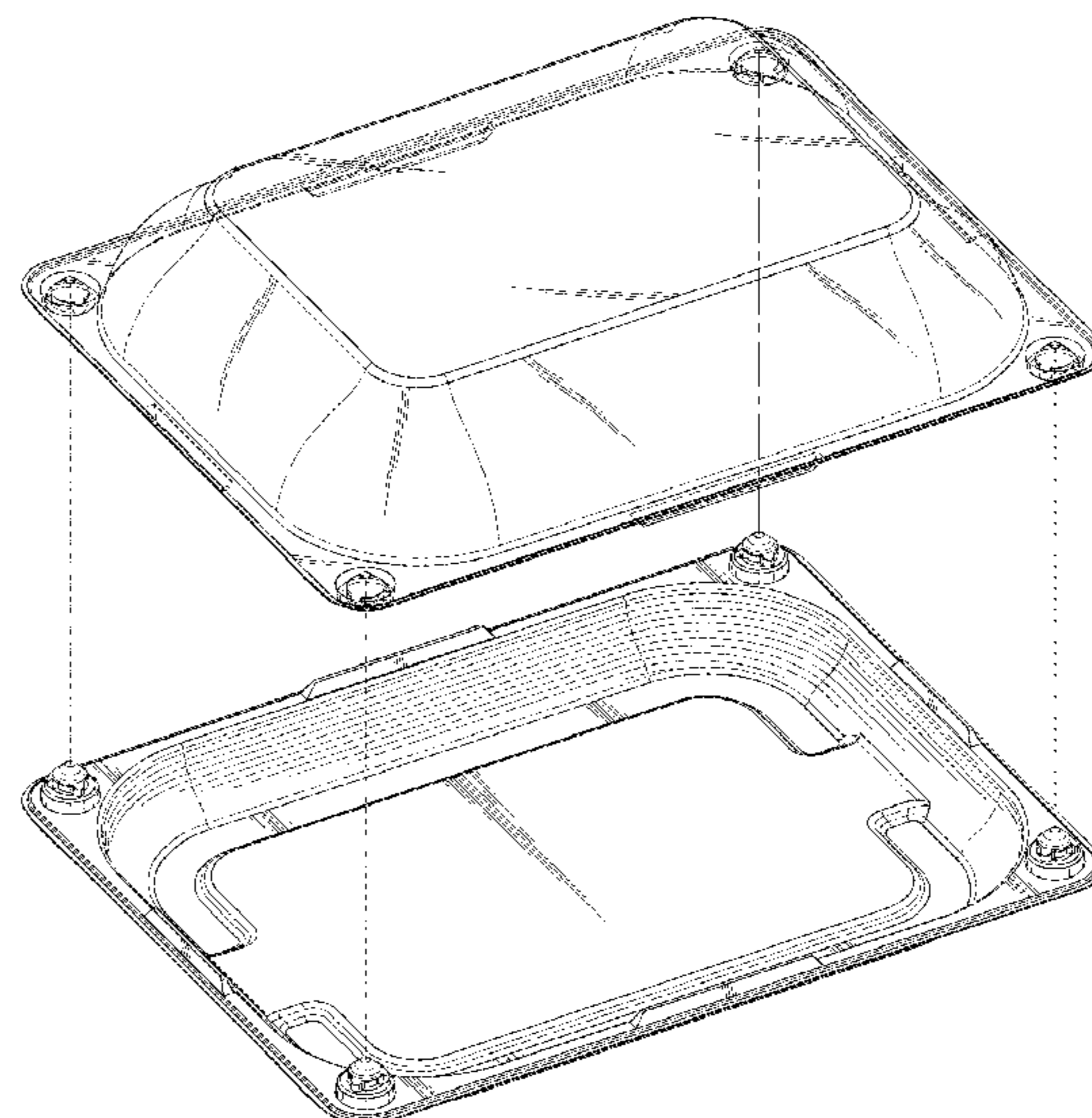
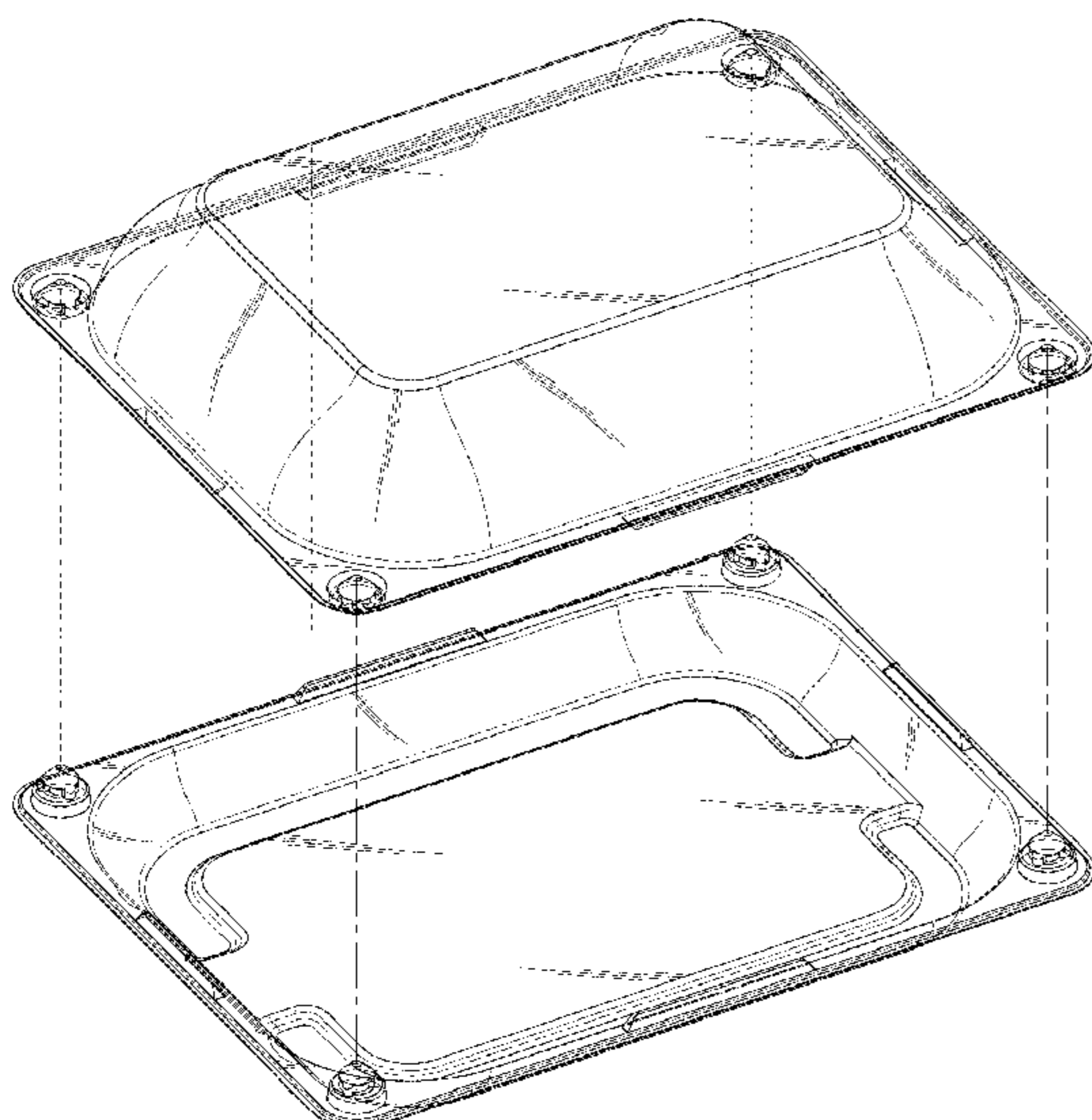
(57) **CLAIM**

The ornamental design for a packaging device, as shown and described.

DESCRIPTION

FIG. 1 is a top view of a first embodiment of a packaging device showing my new design;
 FIG. 2 is a bottom view thereof;
 FIG. 3 is a front view thereof;
 FIG. 4 is a rear view thereof;
 FIG. 5 is a right side view thereof;
 FIG. 6 is a left side view thereof;
 FIG. 7 is a top perspective view thereof;
 FIG. 8 is a top perspective view thereof in an open position;
 FIG. 9 is a top view of a second embodiment of a packaging device showing my new design;
 FIG. 10 is a bottom view thereof;
 FIG. 11 is a front view thereof;
 FIG. 12 is a rear view thereof;
 FIG. 13 is a right side view thereof;
 FIG. 14 is a left side view thereof;
 FIG. 15 is a top perspective view thereof; and,
 FIG. 16 is a top perspective view thereof in an open position.
 The dash-dot broken lines in FIGS. 8 and 16 show the assembly alignment of the top and bottom portions of the design; these lines, themselves, form no part of the claimed design.

1 Claim, 6 Drawing Sheets



(56)

References Cited

U.S. PATENT DOCUMENTS

D398,525 S	9/1998	Orkisz	
5,862,930 A	1/1999	Orkisz	
D424,432 S	5/2000	Knutson et al.	
D428,332 S	7/2000	Knutson	
D437,220 S	2/2001	Knutson et al.	
6,320,172 B1	11/2001	Watkins	
6,554,147 B1	4/2003	Maida et al.	
6,586,715 B2	7/2003	Watkins	
D502,096 S	2/2005	Wilcock et al.	
6,870,145 B2	3/2005	Watkins	
D504,281 S	4/2005	Duggan	
6,906,299 B2	6/2005	Watkins	
7,022,955 B2	4/2006	Wakins	
7,073,680 B2	7/2006	Boback et al.	
D527,956 S *	9/2006	Doliwa	D7/629
7,118,003 B2	10/2006	Sellari et al.	
7,137,418 B2	11/2006	Robledo et al.	
D533,059 S	12/2006	Knutson et al.	
D547,178 S	7/2007	Shaver et al.	
D554,498 S *	11/2007	Lovett	D9/425
D556,569 S	12/2007	Stein et al.	
D562,678 S	2/2008	Shaver et al.	
D578,876 S	10/2008	Ambelang et al.	
D589,790 S	4/2009	Shaver et al.	
D592,018 S *	5/2009	Back	D7/629
D601,015 S	9/2009	Shaver et al.	
D605,501 S	12/2009	Pham et al.	
D606,812 S *	12/2009	Wu	D7/629
D612,232 S	3/2010	Shaver et al.	
D614,950 S *	5/2010	Colacitti	D9/425
7,744,517 B2	6/2010	Bonenfant	
D621,699 S	8/2010	Shaver et al.	
D628,477 S	12/2010	Shaver et al.	
D628,478 S *	12/2010	Snedden et al.	D9/431
D628,479 S	12/2010	Snedden et al.	
D634,188 S	3/2011	Sellari et al.	
D634,617 S	3/2011	Sellari et al.	
D637,481 S	5/2011	Sellari et al.	
D640,550 S *	6/2011	Snedden et al.	D9/431
8,028,851 B2	10/2011	Vovan et al.	
8,083,089 B2	12/2011	Vovan	
8,113,377 B2	2/2012	Solowiejko	
D678,763 S *	3/2013	Tyberghein	D9/426
D684,466 S *	6/2013	Wichmann	D9/432
D706,623 S *	6/2014	Murphy et al.	D9/426
2007/0045317 A1	3/2007	Rosender et al.	
2008/0087669 A2	4/2008	Boback et al.	
2009/0193766 A1	8/2009	Dyke et al.	
2010/0140267 A1	6/2010	Sellari et al.	
2010/0181323 A1	7/2010	Thaler et al.	
2011/0036842 A1	2/2011	Sellari et al.	
2012/0152954 A1	6/2012	Bruehl et al.	

* cited by examiner

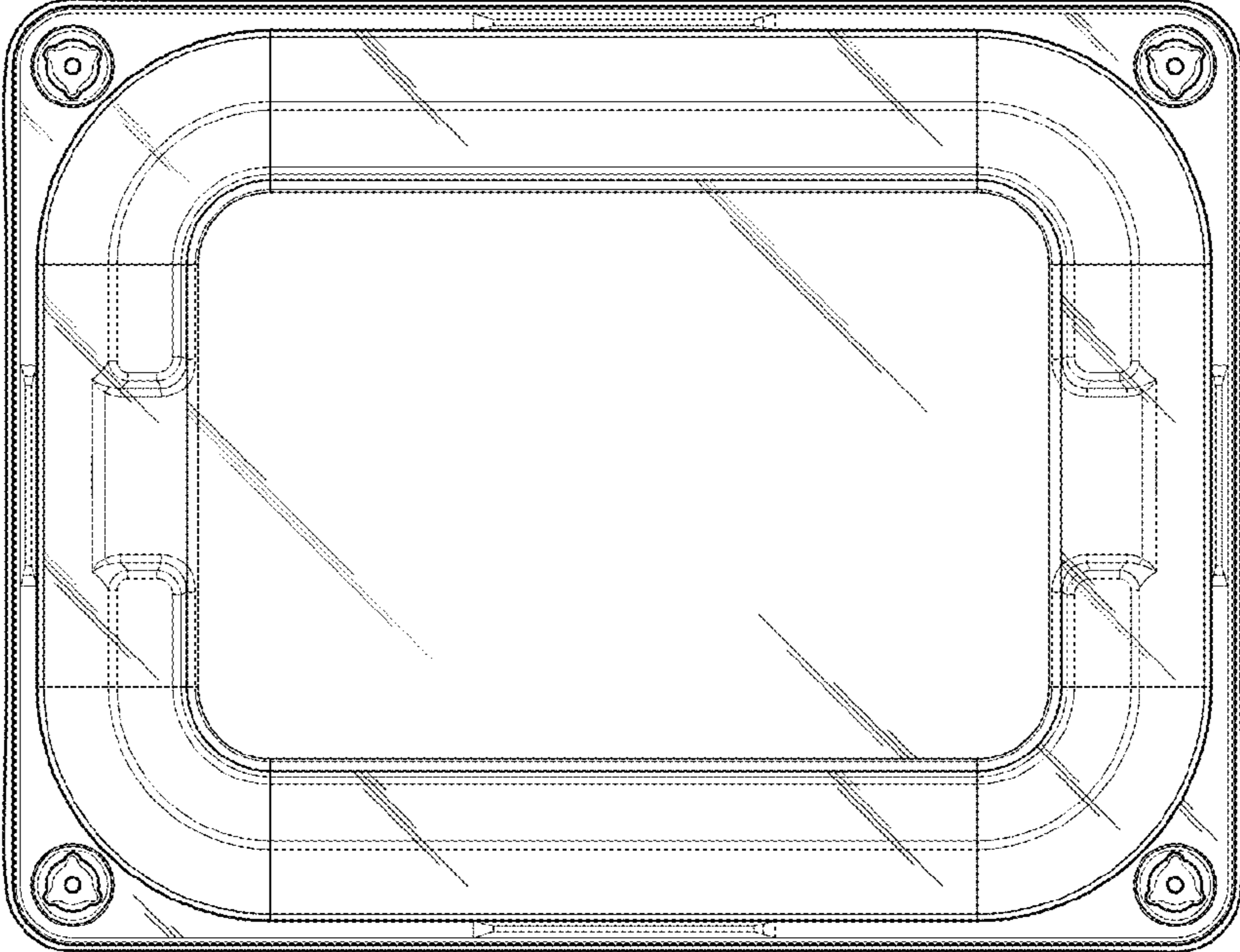


FIG. 1

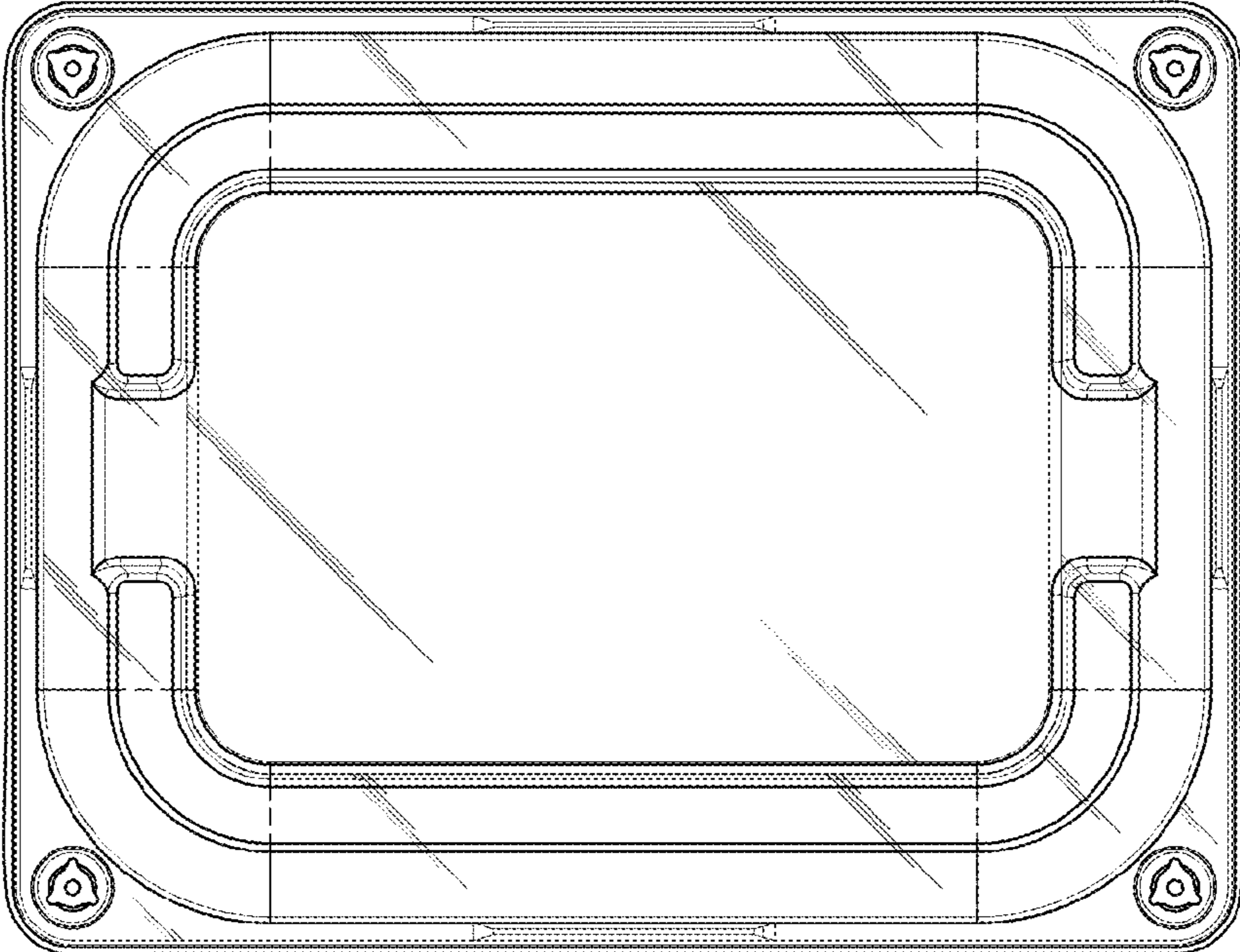


FIG. 2

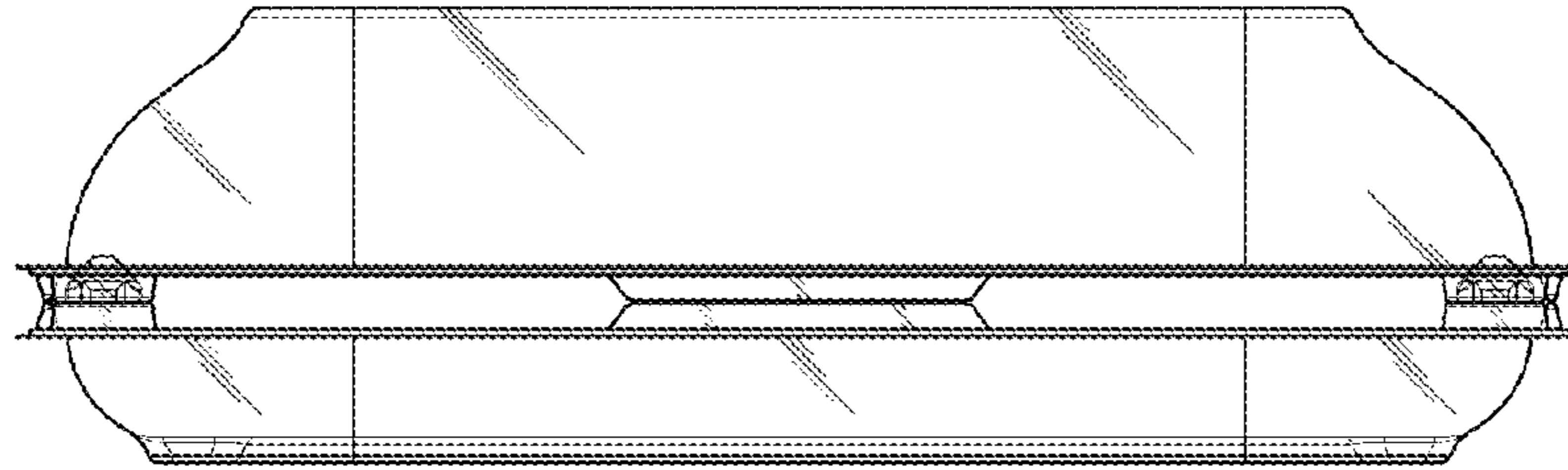


FIG. 3

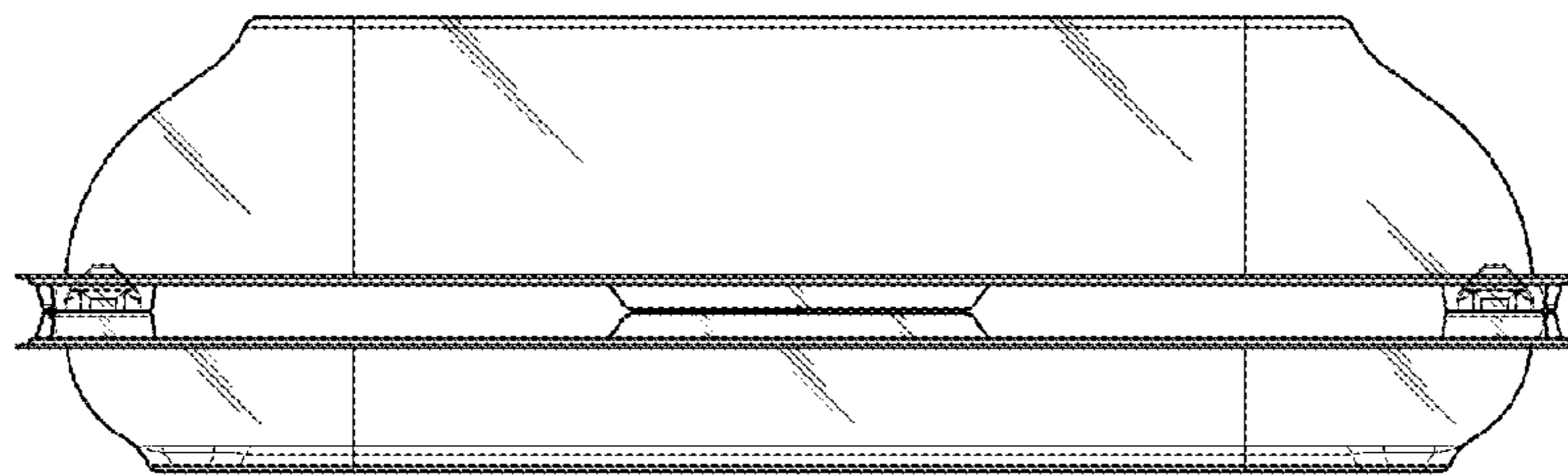


FIG. 4

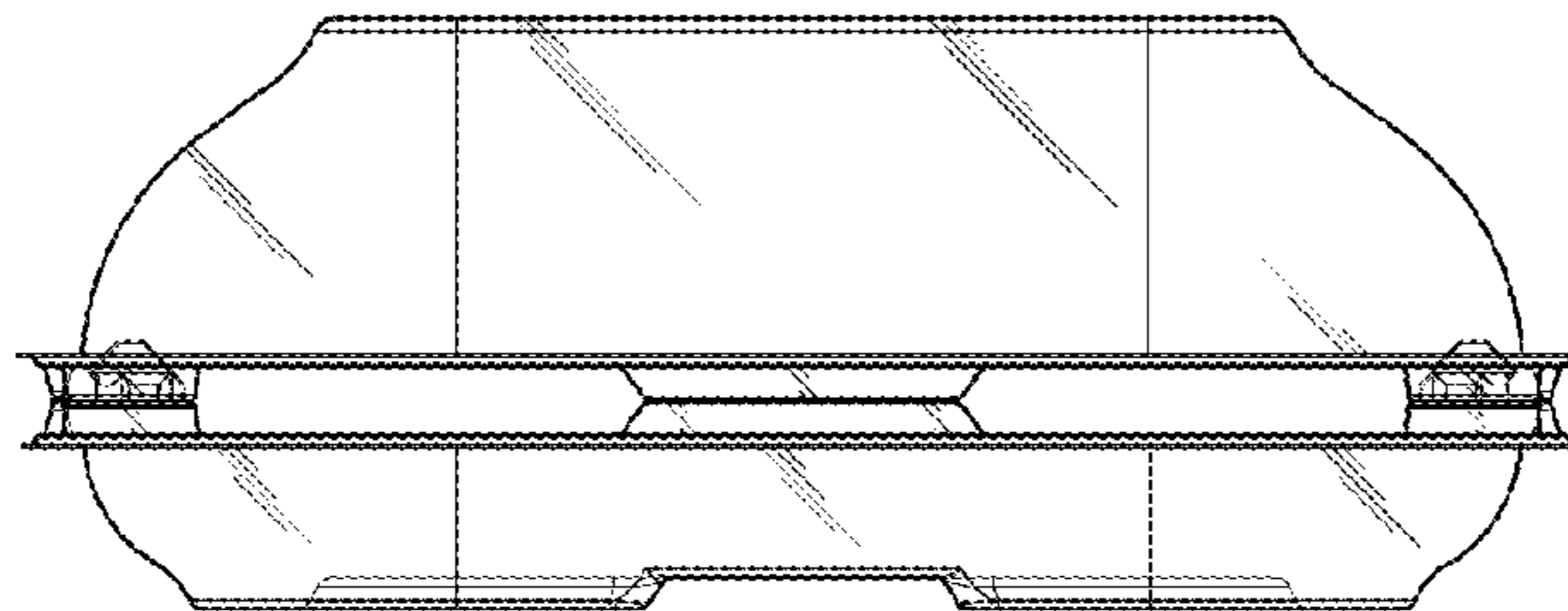


FIG. 5

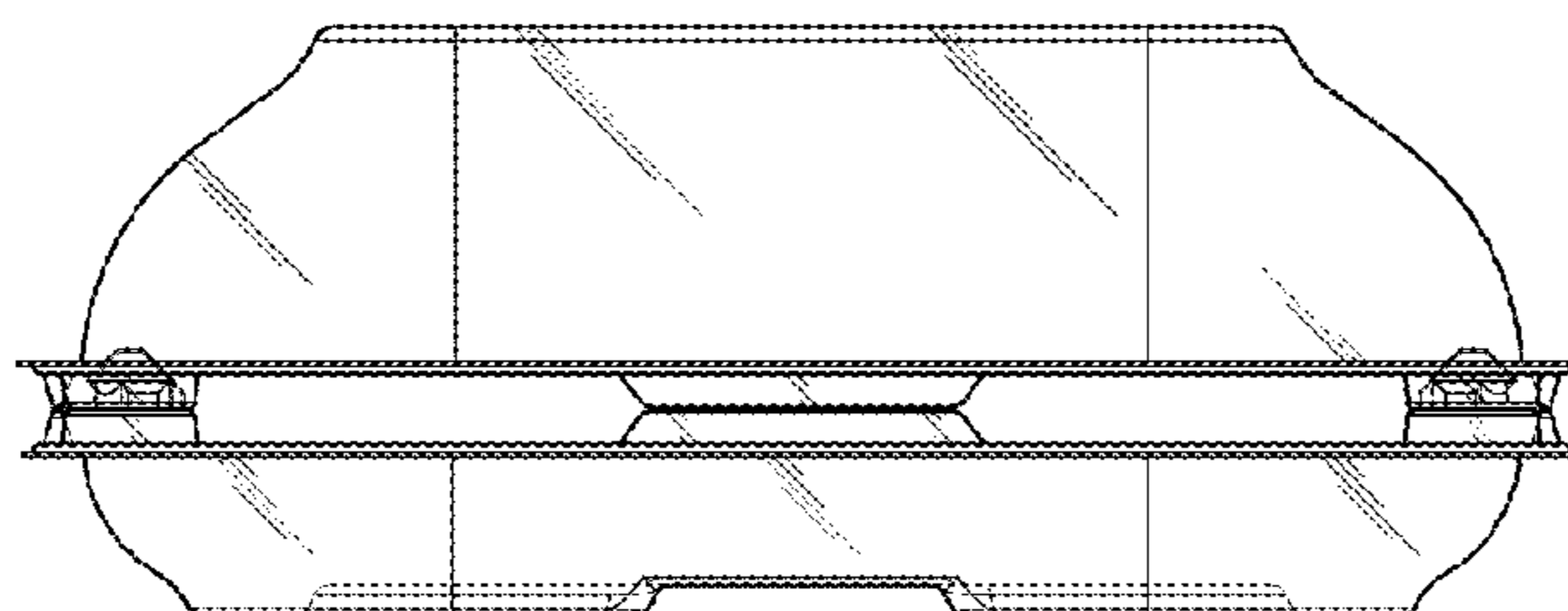


FIG. 6

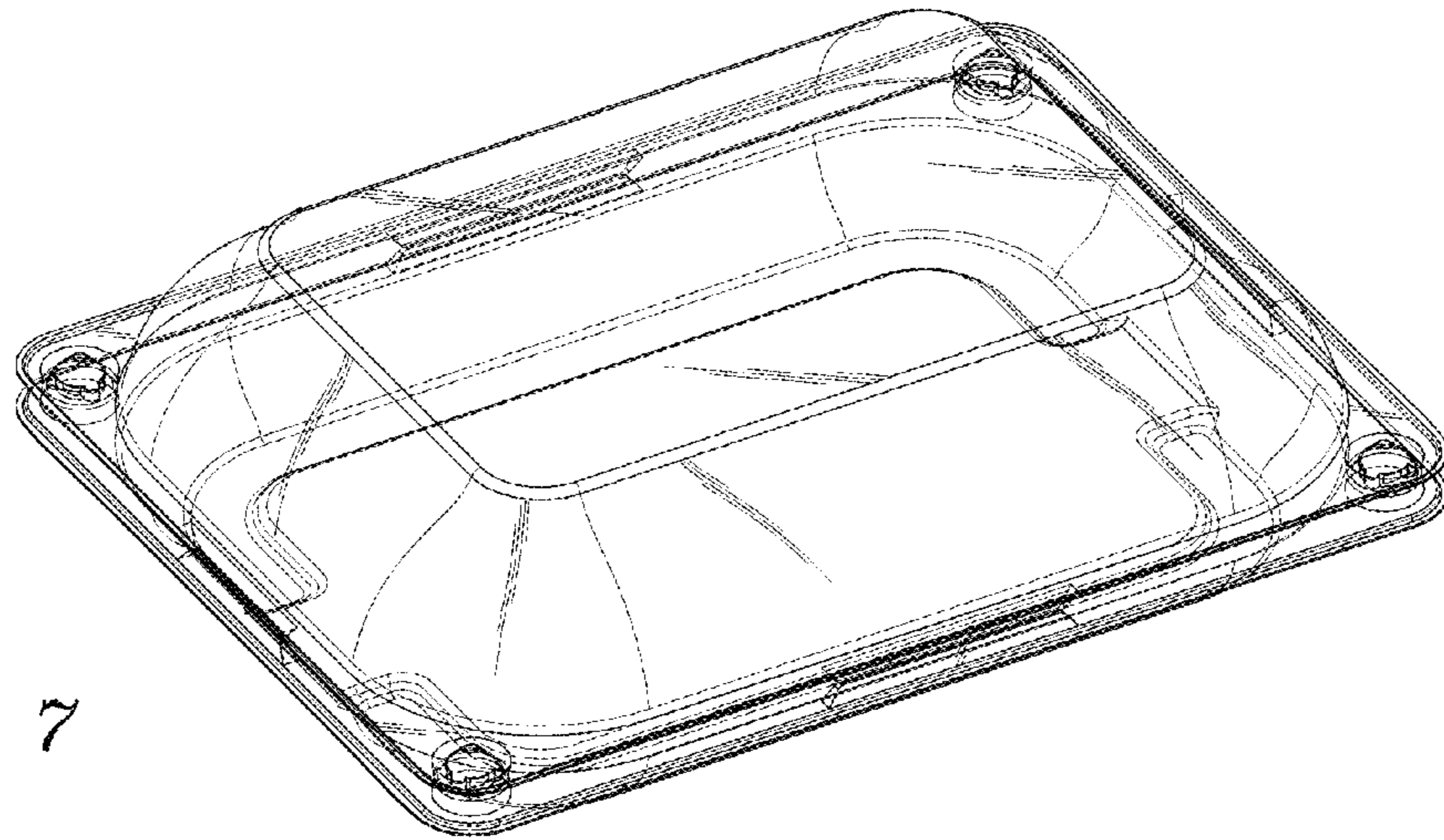


FIG. 7

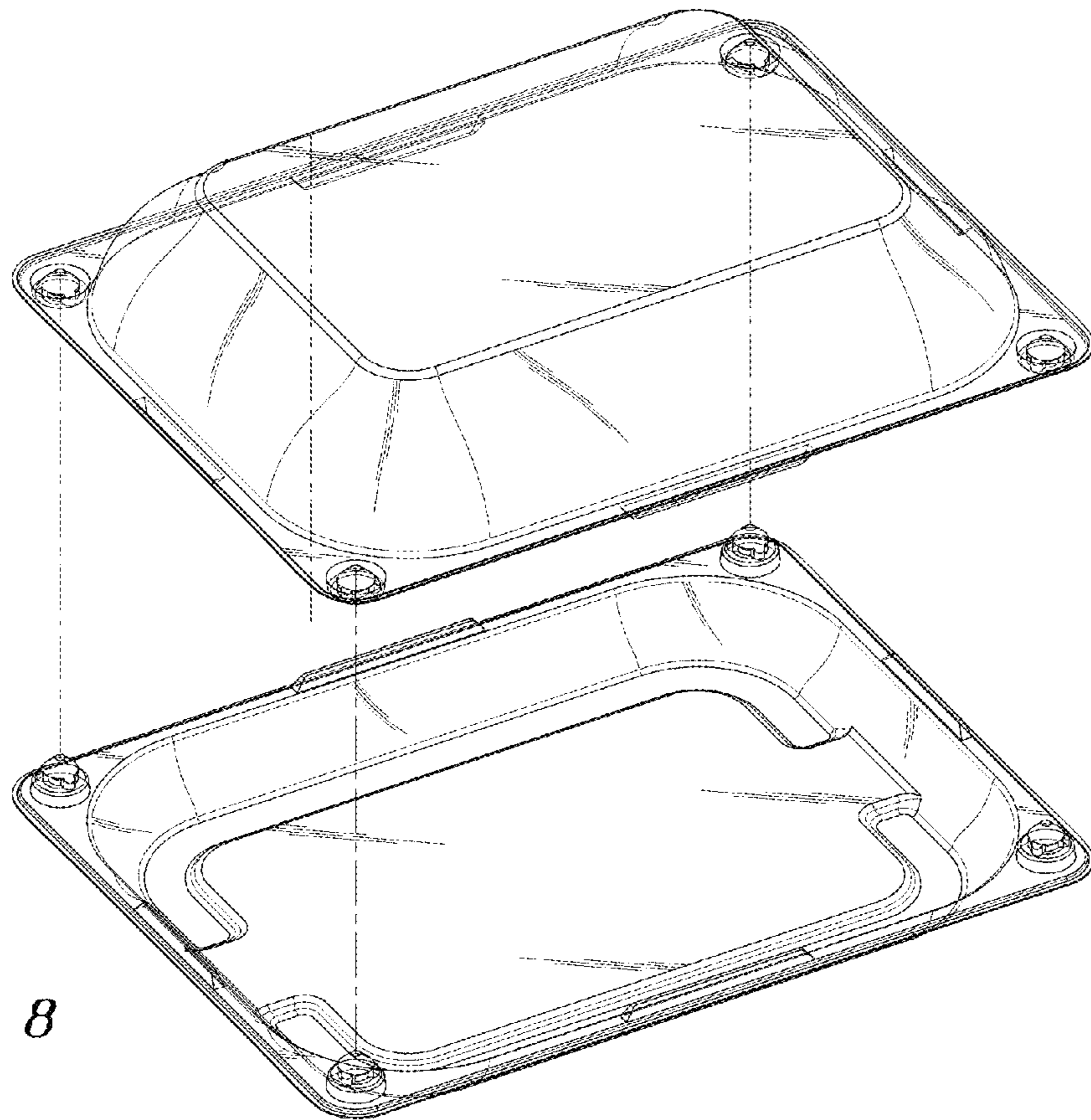


FIG. 8

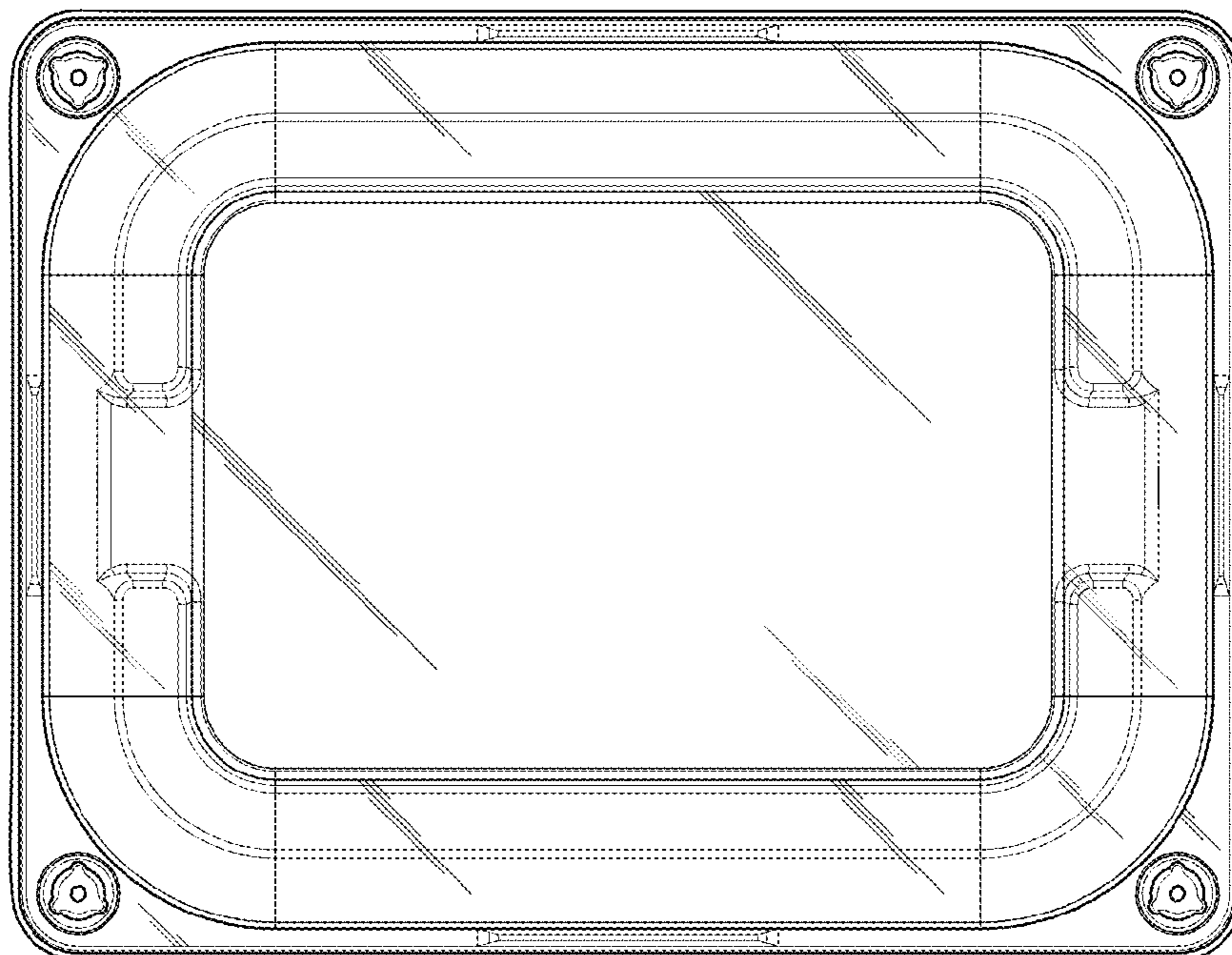


FIG. 9

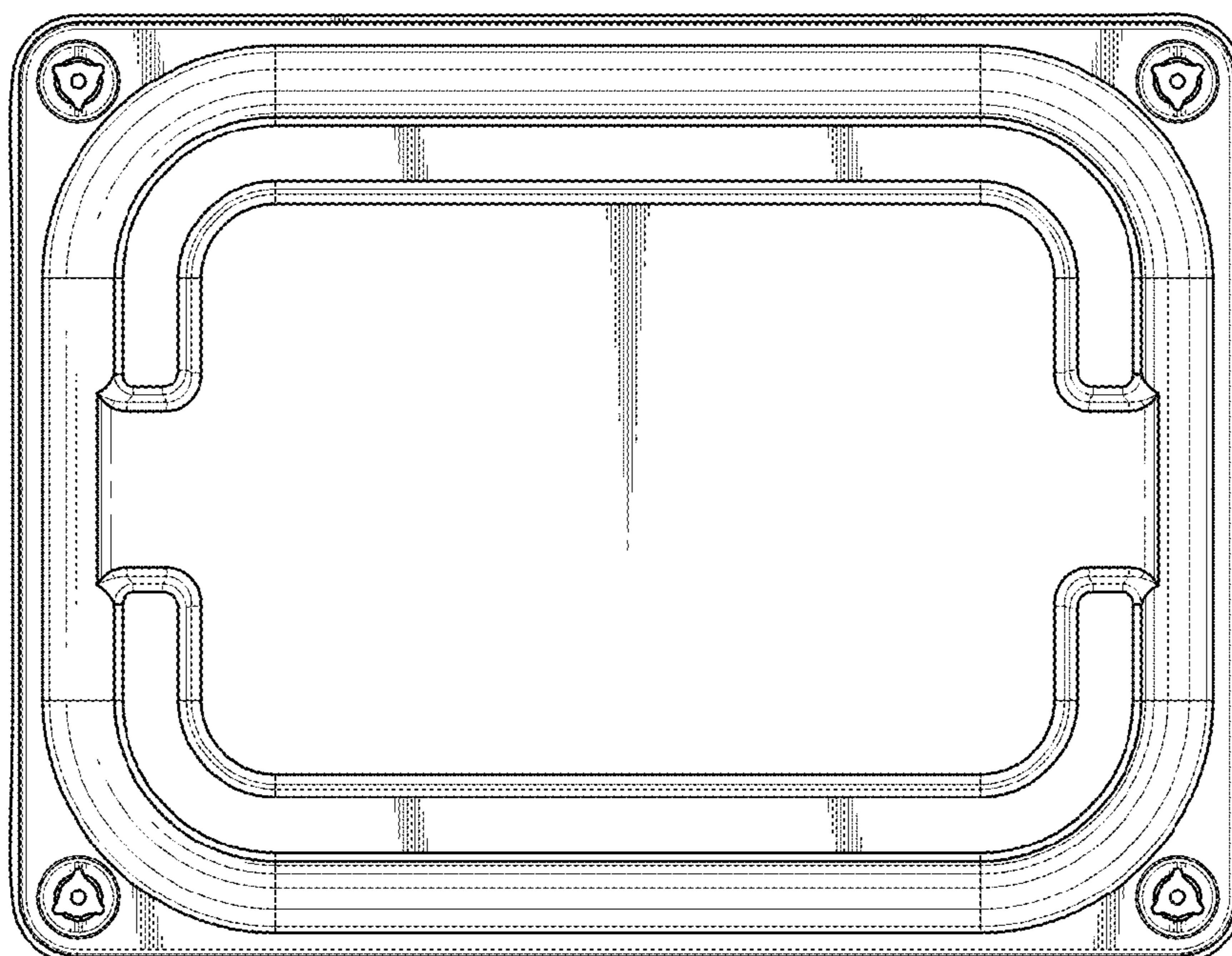


FIG. 10

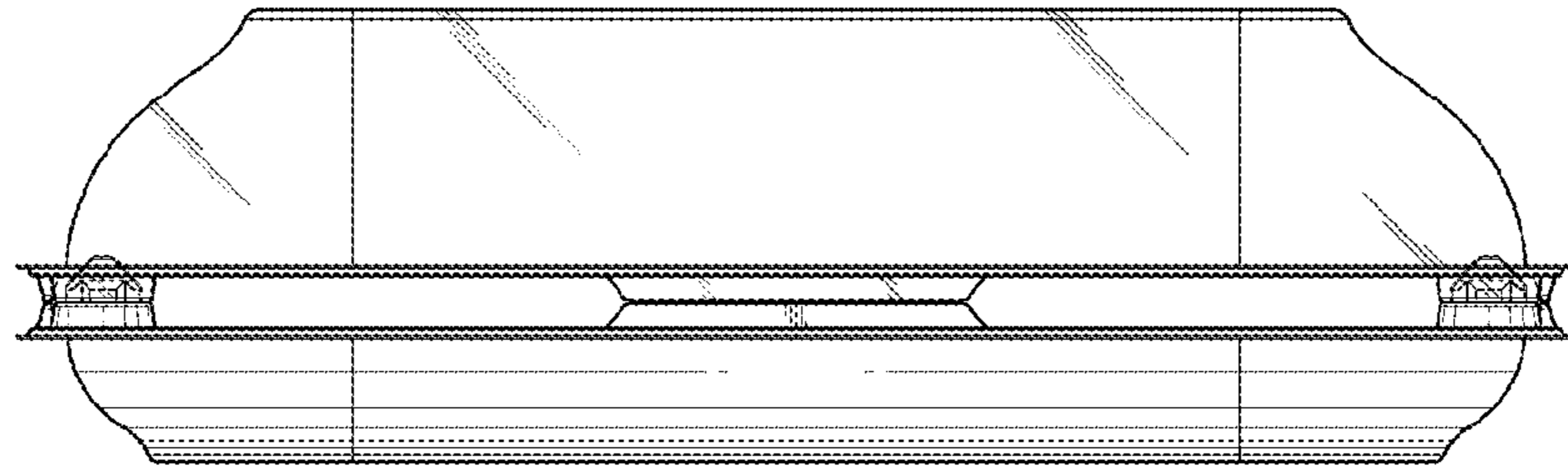


FIG. 11

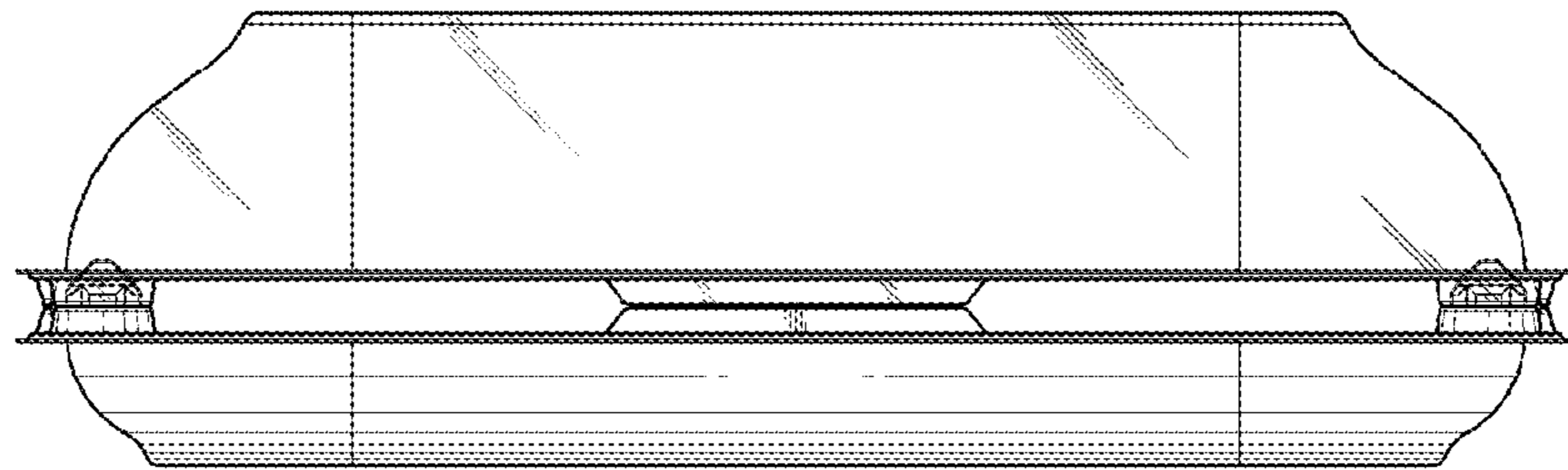


FIG. 12

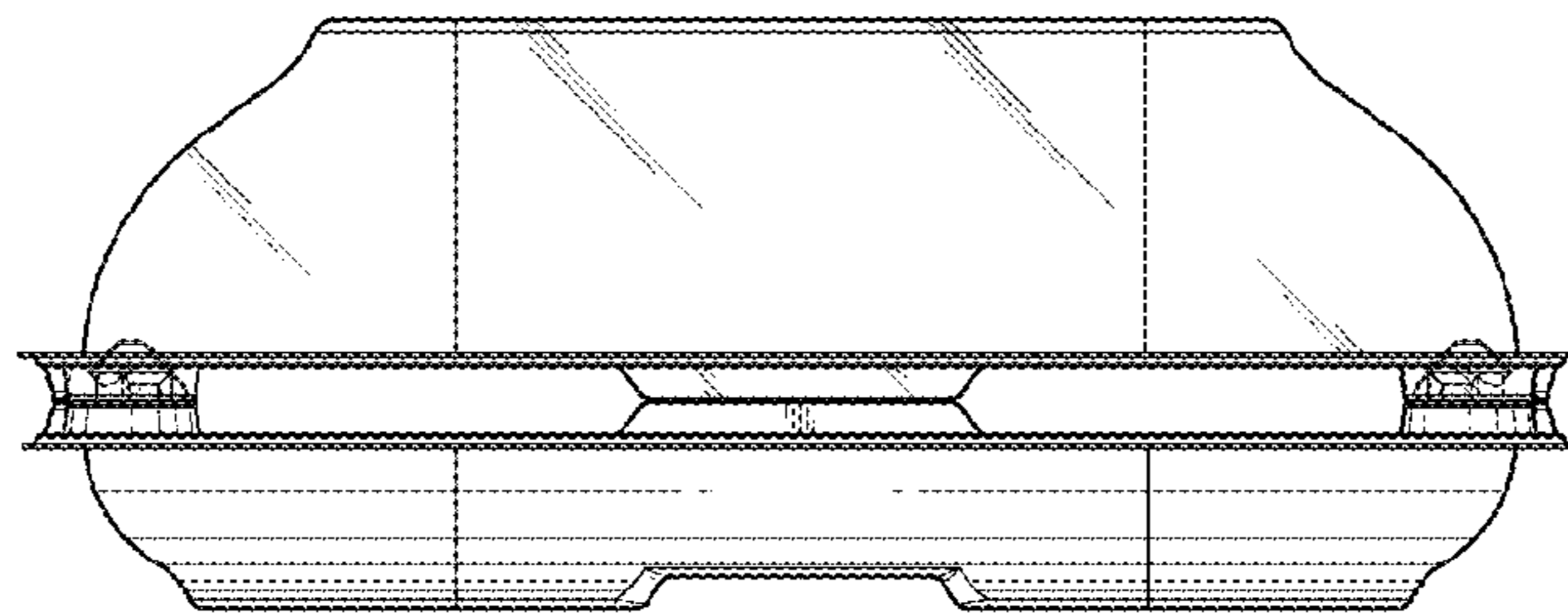


FIG. 13

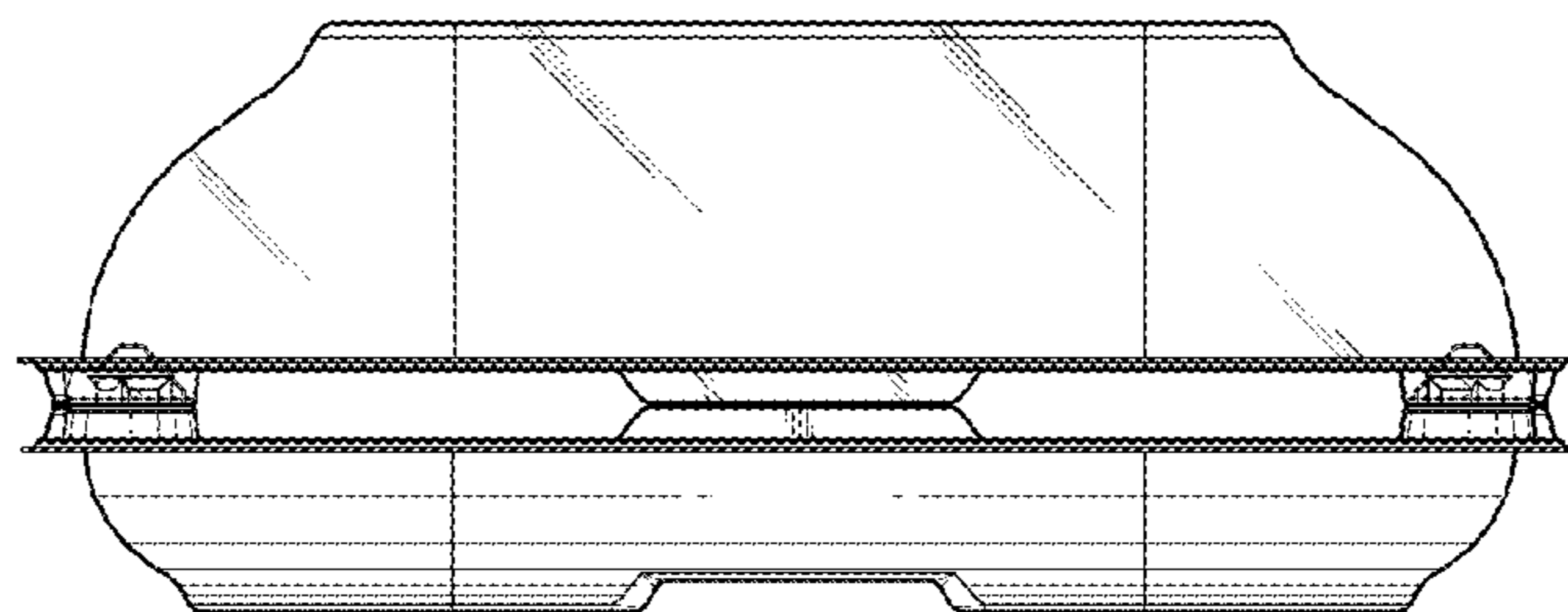


FIG. 14

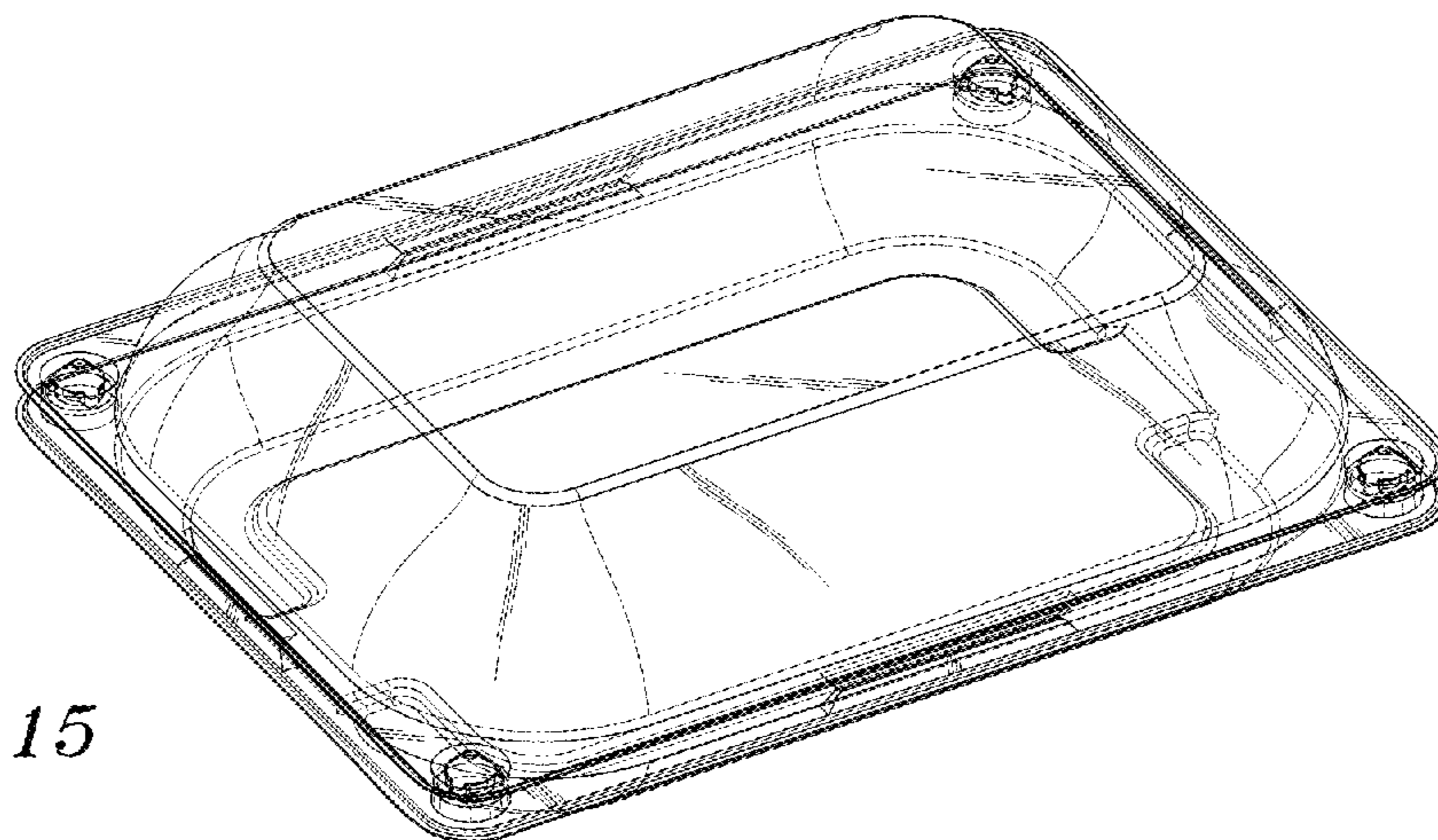


FIG. 15

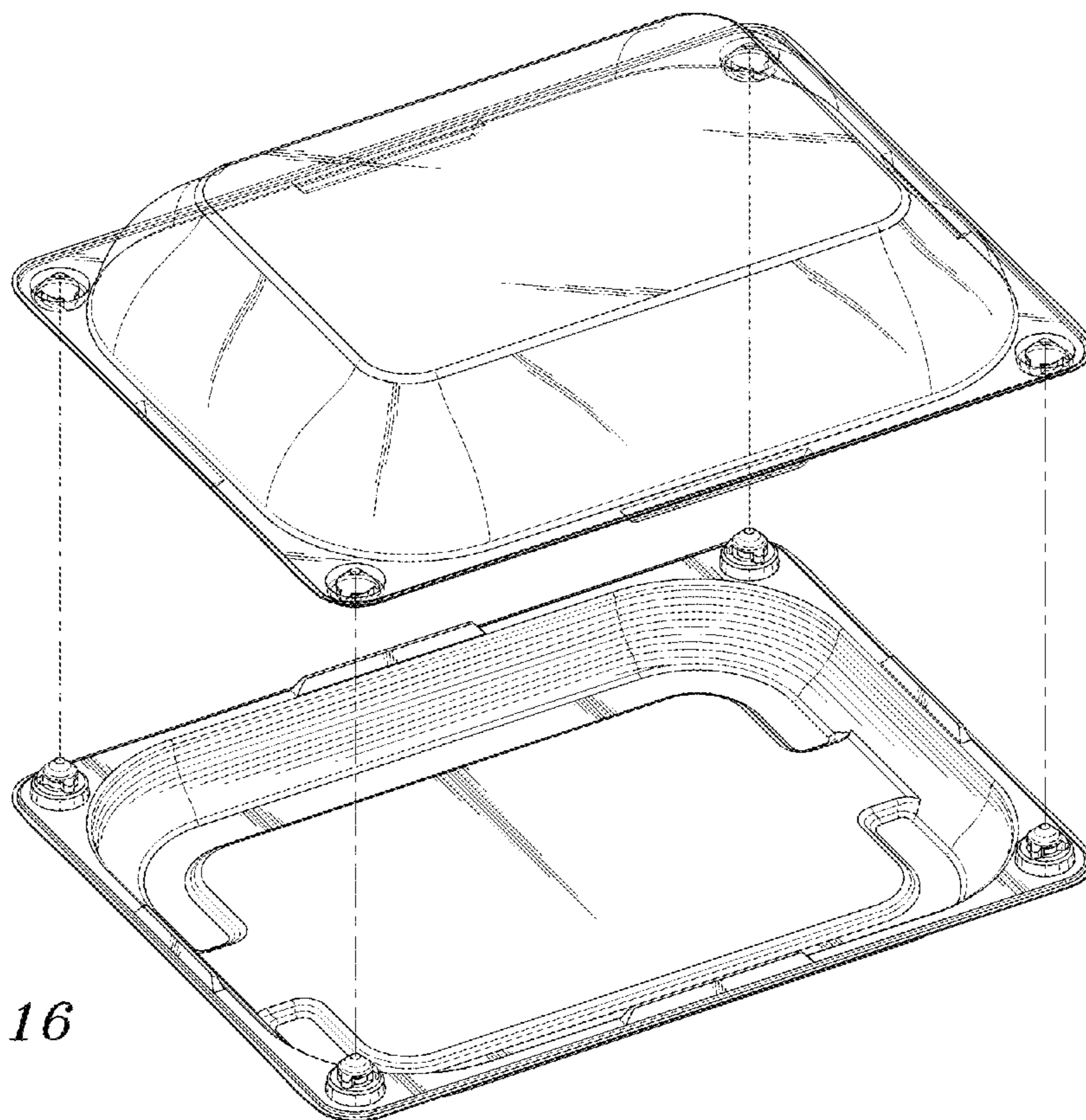


FIG. 16