



US00D717160S

(12) **United States Design Patent**
Kurniawan et al.

(10) **Patent No.:** **US D717,160 S**

(45) **Date of Patent:** **** Nov. 11, 2014**

(54) **PACKAGE BOX**

(71) Applicant: **Panasonic Corporation**, Osaka (JP)

(72) Inventors: **Agung Kurniawan**, Rembang (ID);
Septania Wulandari, Rembang (ID);
Agus Setyawan, Rembang (ID)

(73) Assignee: **Panasonic Corporation**, Osaka (JP)

(**) Term: **14 Years**

(21) Appl. No.: **29/458,088**

(22) Filed: **Jun. 17, 2013**

(30) **Foreign Application Priority Data**

Jan. 23, 2013 (ID) A00201300175

(51) **LOC (10) Cl.** **09-03**

(52) **U.S. Cl.**
USPC **D9/415**

(58) **Field of Classification Search**

USPC D9/415, 414, 419, 418, 433, 722, 457,
D9/456, 499, 715, 731, 668, 434, 737, 435,
D9/432, 423; 206/461-471, 495, 223,
206/15.2, 806, 457, 736; 229/406, 123.3,
229/117.18, 224; 222/181.3; 221/1

See application file for complete search history.

(56) **References Cited**

U.S. PATENT DOCUMENTS

2,089,958 A * 8/1937 Hothersall 229/123.3
D242,022 S * 10/1976 Bish D9/432
4,230,259 A * 10/1980 Herzog 229/117.18
4,331,240 A * 5/1982 Vanasse 229/224
5,582,293 A * 12/1996 Kay 206/457

6,053,325 A * 4/2000 Yonker et al. 206/736
D429,637 S * 8/2000 Kumakura et al. D9/415
D518,368 S * 4/2006 Tachikawa et al. D9/415
D553,488 S 10/2007 Pacheco
7,490,741 B2 * 2/2009 Rochefort et al. 222/181.3
D605,035 S 12/2009 Altonen et al.
D609,562 S * 2/2010 Zimmermann D9/432
D623,513 S * 9/2010 Kelly D9/423
D671,829 S * 12/2012 Sung D9/418
D711,217 S * 8/2014 Jacobs et al. D9/414
2002/0063136 A1 * 5/2002 Sauer et al. 221/1

* cited by examiner

Primary Examiner — Ian Simmons

Assistant Examiner — Rhea Shields

(74) *Attorney, Agent, or Firm* — Panasonic Patent Center

(57) **CLAIM**

We claim the ornamental design for a package box, as shown and described.

DESCRIPTION

FIG. 1 is a top perspective view of a package box of the present invention;
FIG. 2 is a front view thereof;
FIG. 3 is a rear view thereof;
FIG. 4 is a first side view thereof;
FIG. 5 is a second side view thereof;
FIG. 6 is a top view thereof;
FIG. 7 is a bottom view thereof;
FIG. 8 is a top perspective view thereof; and,
FIG. 9 is a front view thereof shown in an unfolded position thereof.

The broken line showing of package box is included for the purpose of illustrating environment and forms no part of the claimed design.

1 Claim, 9 Drawing Sheets

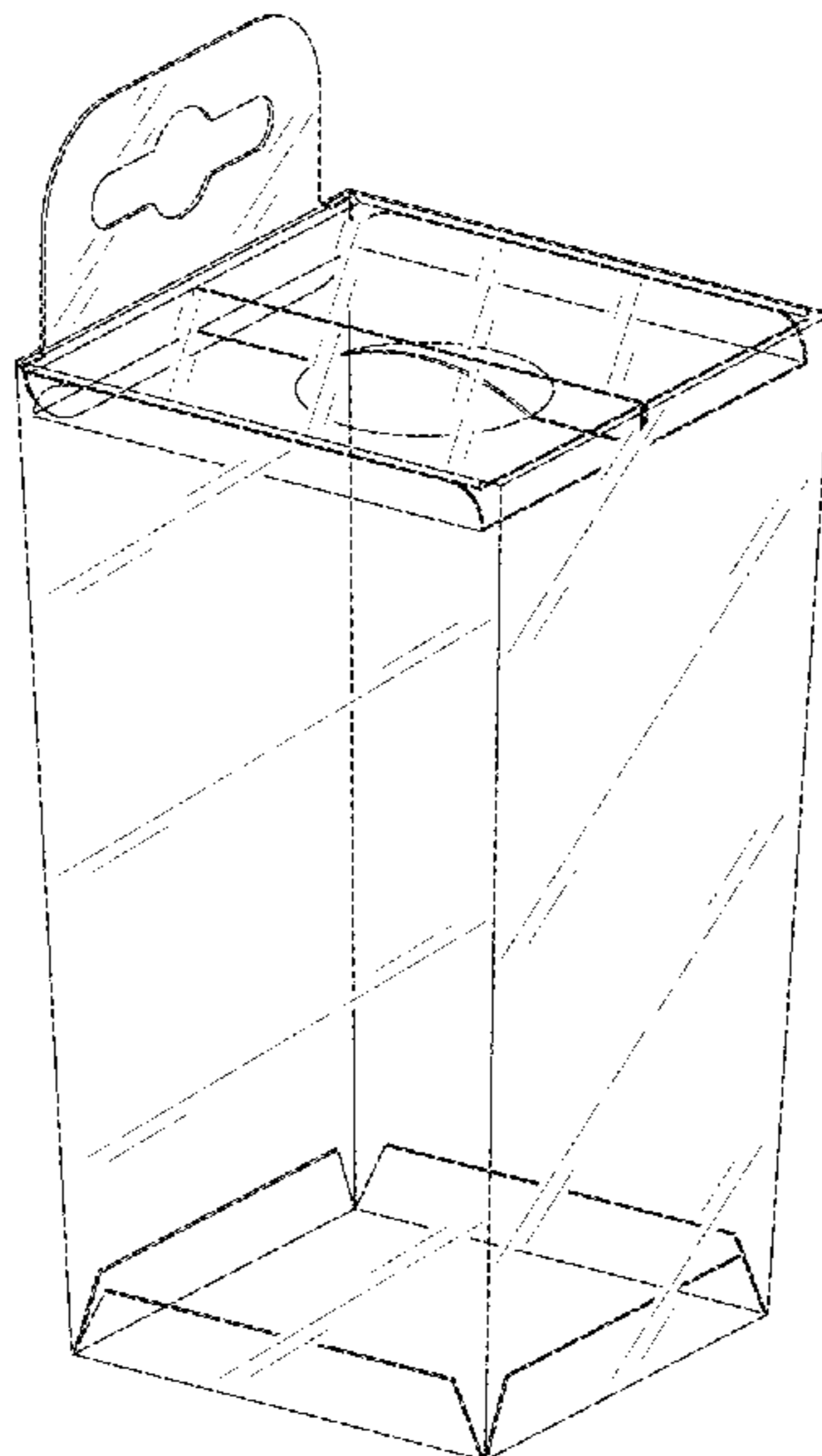


FIG. 1

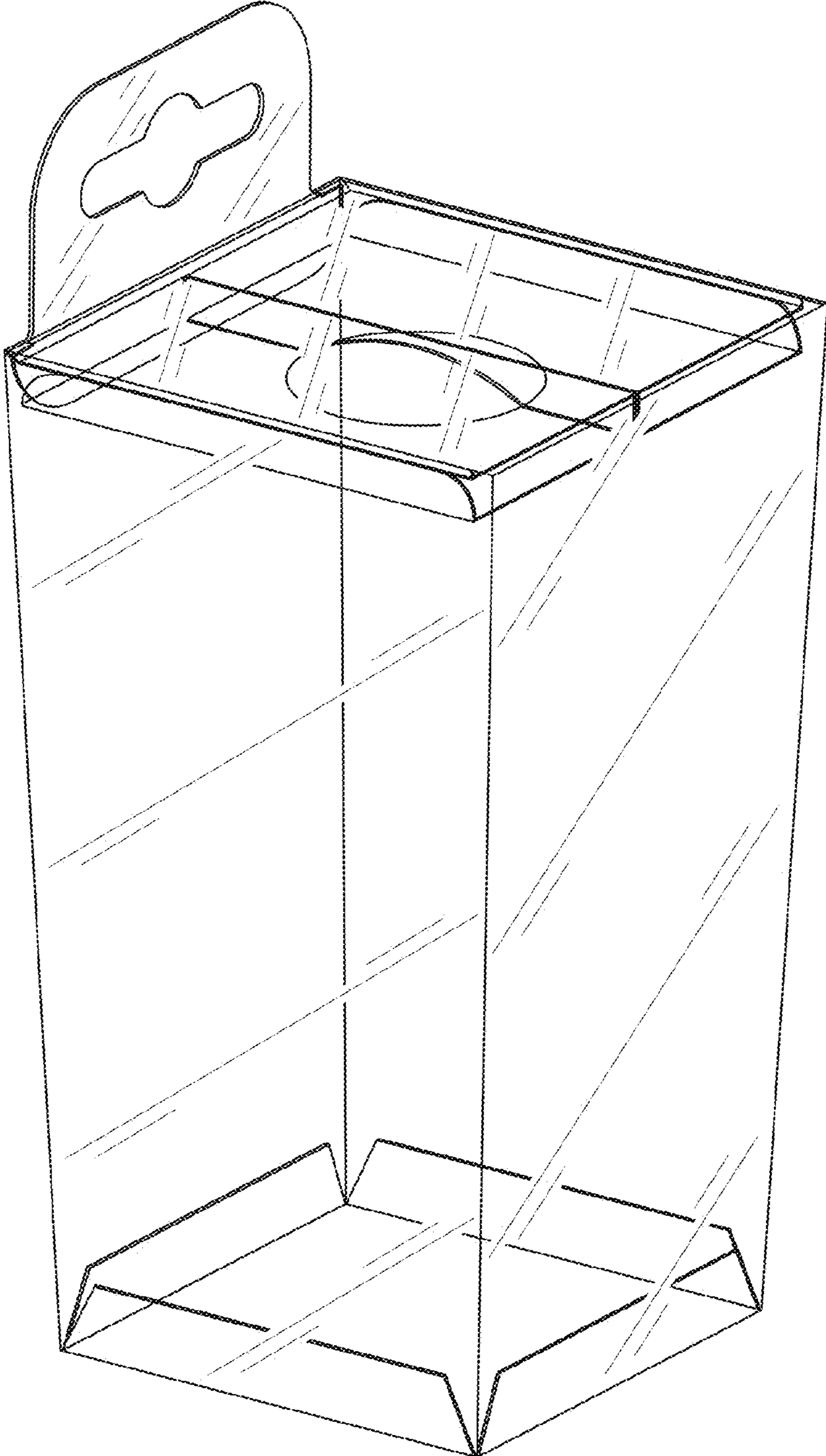


FIG. 2

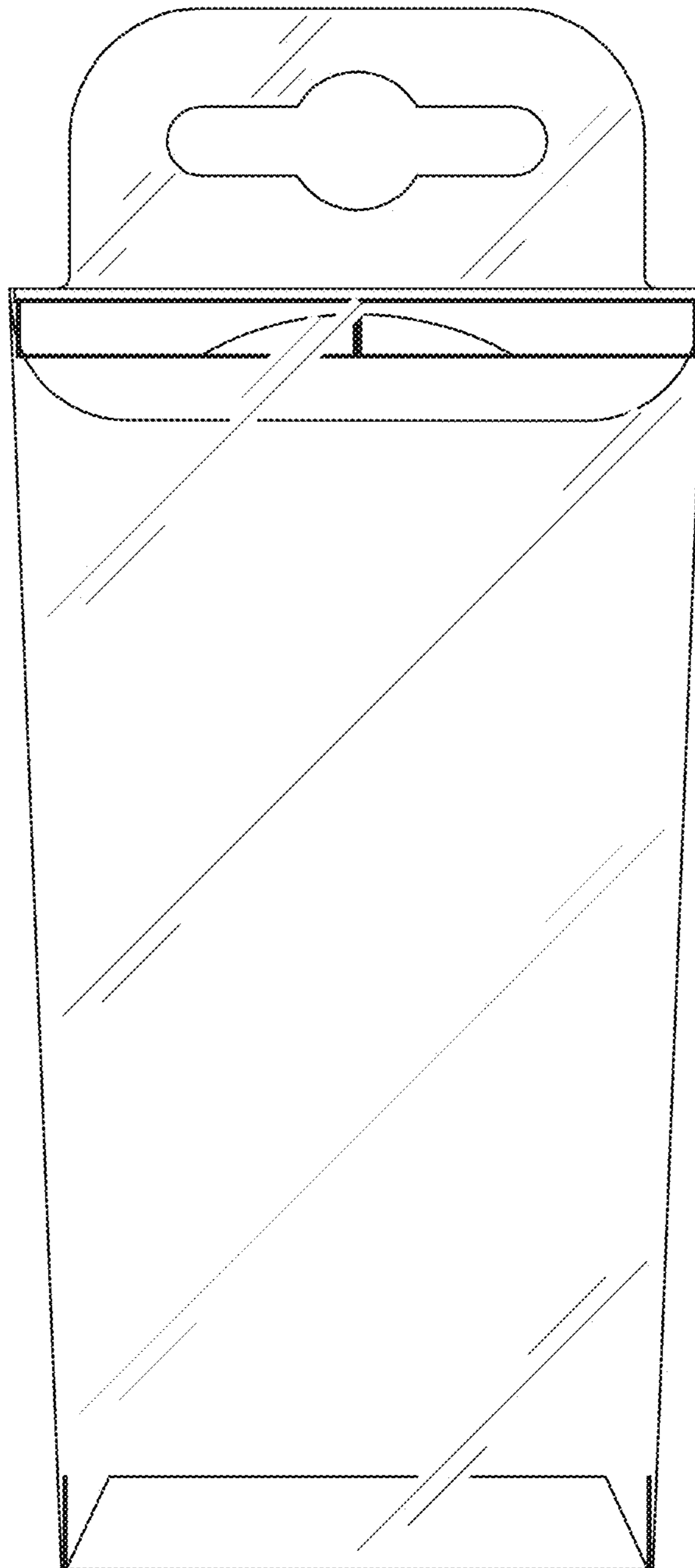


FIG. 3

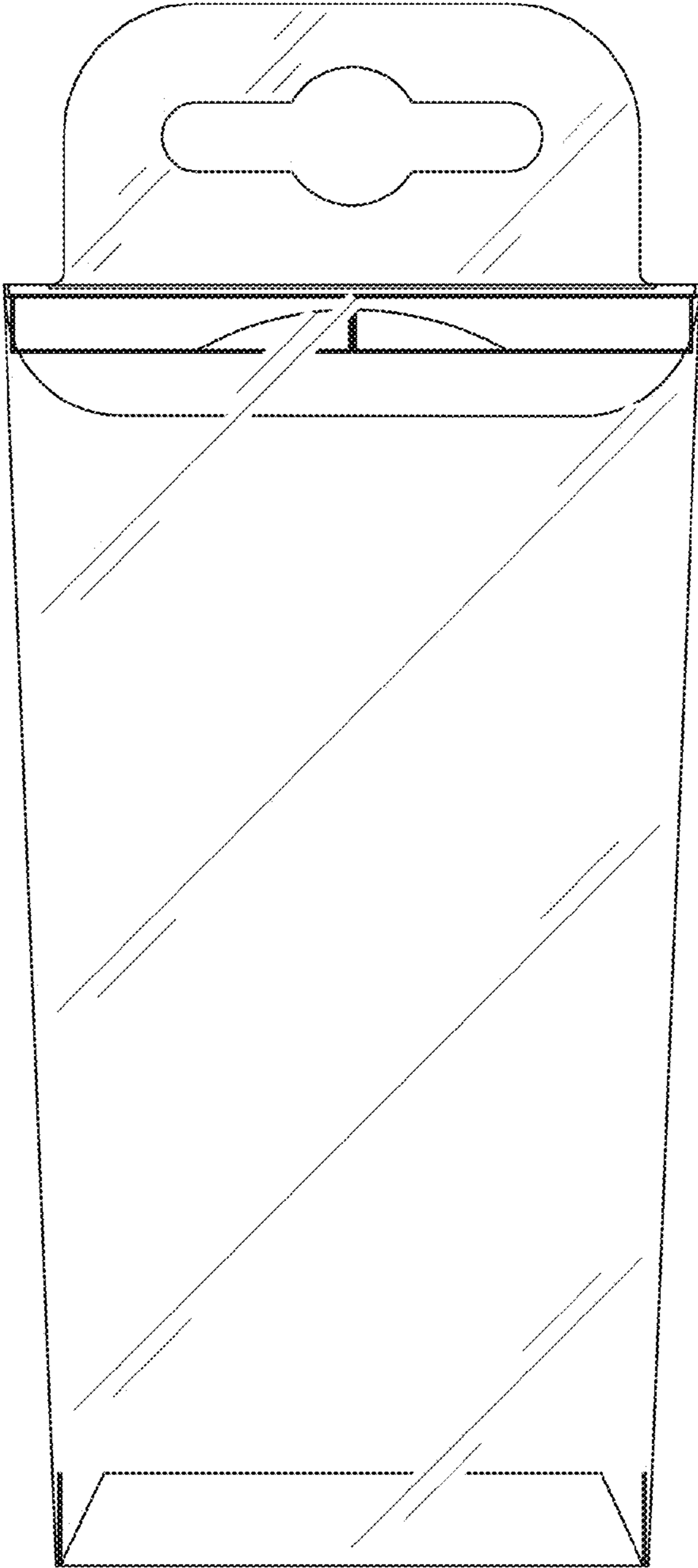


FIG. 4

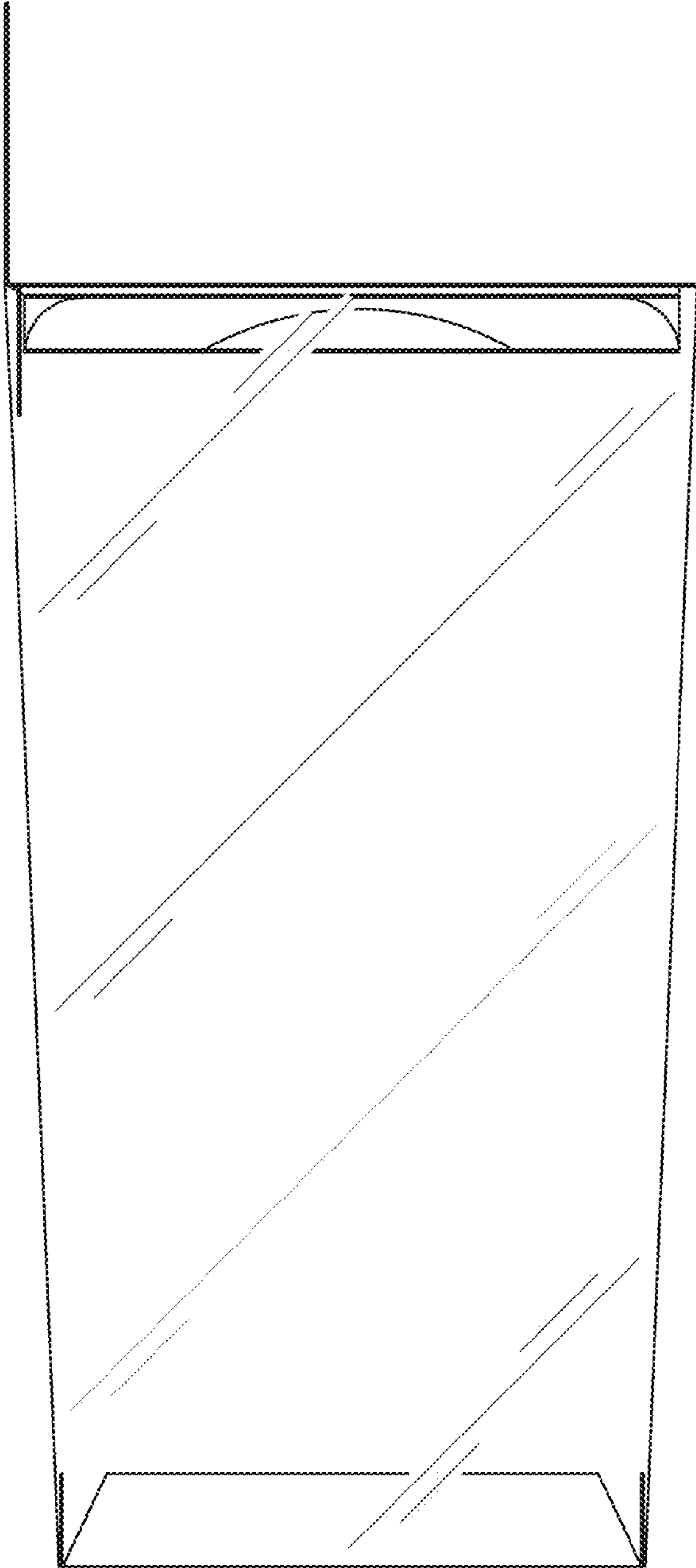


FIG. 5

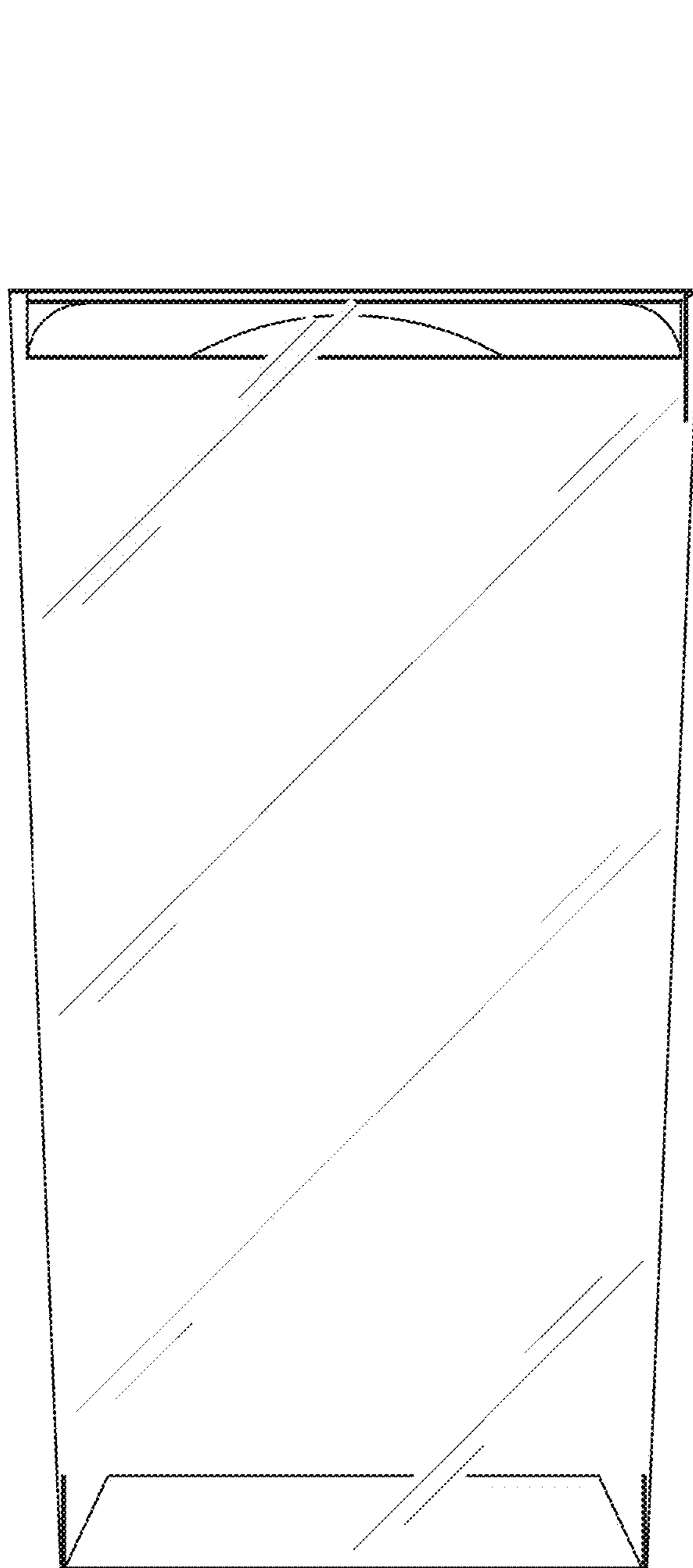


FIG. 6

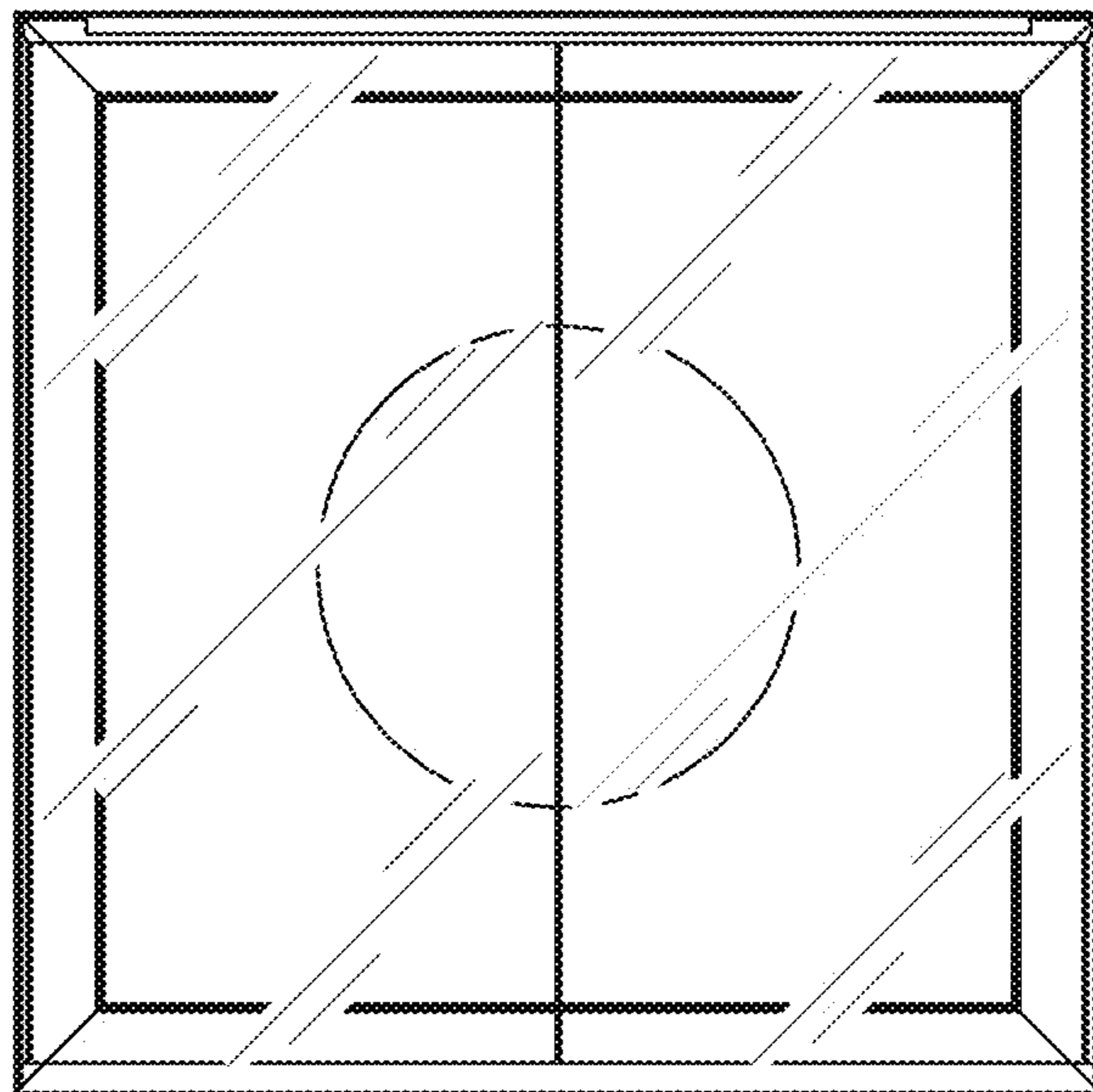


FIG. 7

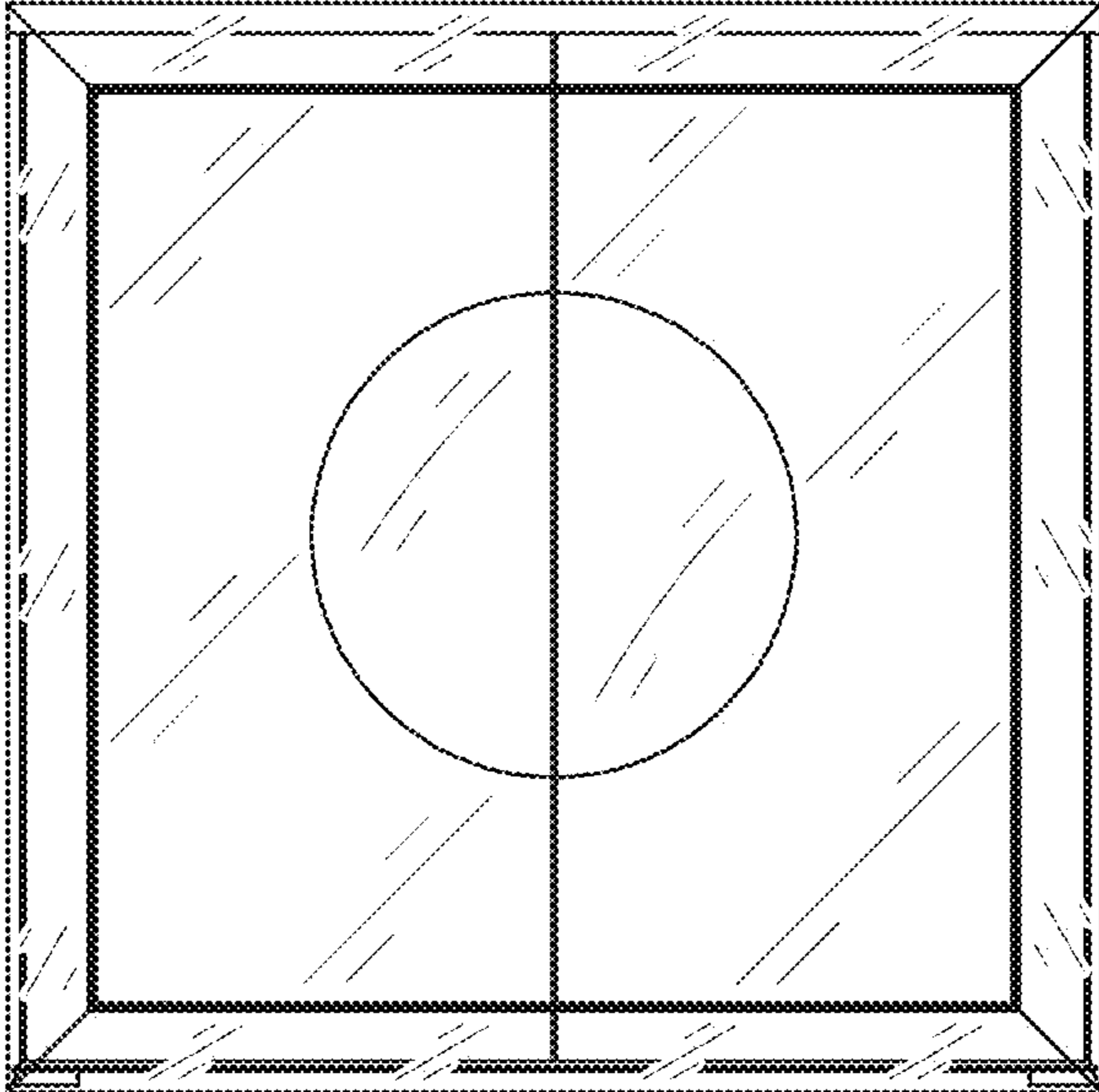


FIG. 8

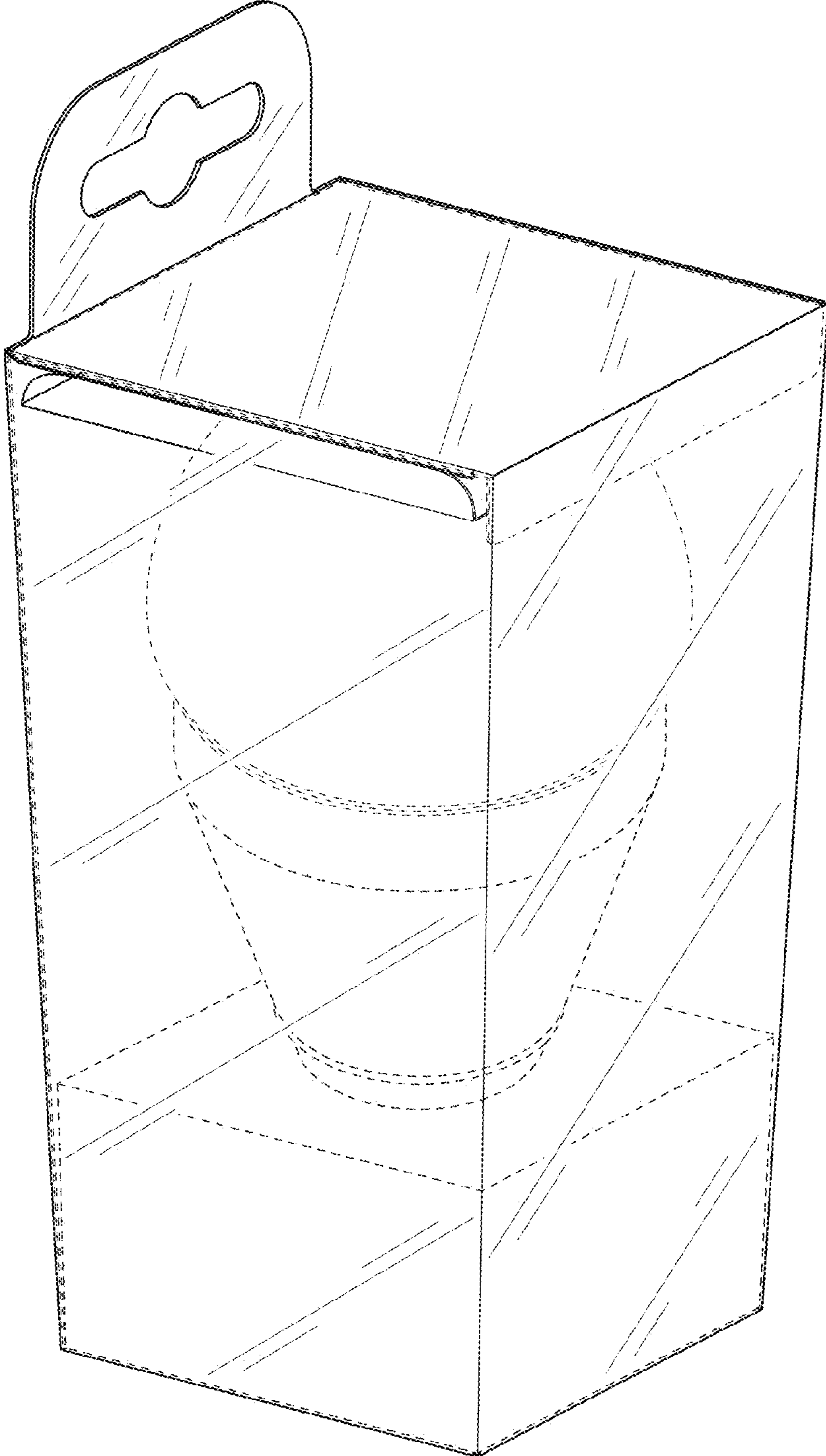


FIG. 9

