



US00D717155S

(12) **United States Design Patent**
Sawada

(10) **Patent No.:** **US D717,155 S**

(45) **Date of Patent:** **** Nov. 11, 2014**

(54) **REINFORCING STRUCTURE FOR SLIDE SHUTTER**

(76) Inventor: **Katsuya Sawada**, Tottori (JP)

(**) Term: **14 Years**

(21) Appl. No.: **29/406,373**

(22) Filed: **Nov. 14, 2011**

(51) **LOC (10) Cl.** **08-09**

(52) **U.S. Cl.**
USPC **D8/349**

(58) **Field of Classification Search**

USPC D8/349, 354, 355, 376, 377, 400, 499;
292/DIG. 36; 160/191, 201, 202, 229.1,
160/133, 265, 290.1, 274; 52/537

See application file for complete search history.

(56) **References Cited**

U.S. PATENT DOCUMENTS

1,591,739	A *	7/1926	Blake	160/274
1,954,825	A *	4/1934	Morris	160/191
2,993,572	A *	7/1961	Rich	160/229.1
D202,779	S *	11/1965	Rosenbaum	D8/377
D221,459	S *	8/1971	Wolf	D8/355
4,887,786	A *	12/1989	Stokes	248/512
D356,939	S *	4/1995	Flito	D8/355
D362,613	S *	9/1995	Lott, Sr.	D8/355
D408,436	S *	4/1999	Lombardi	D17/22
6,062,293	A *	5/2000	Berger, Jr.	160/229.1
D620,343	S *	7/2010	Kortan et al.	D8/355
D644,089	S *	8/2011	Intravatola	D8/355
8,505,608	B2 *	8/2013	Sawada	160/133
2012/0024483	A1 *	2/2012	Sawada	160/202

* cited by examiner

Primary Examiner — Mark Goodwin

(74) *Attorney, Agent, or Firm* — McClure, Qualey & Rodack, LLP

(57) **CLAIM**

The ornamental design for a reinforcing structure for slide shutter, as shown and described.

DESCRIPTION

FIG. 1 is a front view of a reinforcing structure for slide shutter showing my new design, the dual lines cutting through claim in FIGS. 1, 2, 5-8 and 11 represent indeterminate length;

FIG. 2 is a back view thereof;

FIG. 3 is a left side view thereof;

FIG. 4 is a right side view thereof;

FIG. 5 is a top plan view thereof;

FIG. 6 is a bottom plan view thereof;

FIG. 7 is a front view of the first interpolation part of a reinforcing structure for slide shutter shown separate for ease of illustration thereof;

FIG. 8 is a back view of the first interpolation part thereof;

FIG. 9 is a left side view of the first interpolation part thereof;

FIG. 10 is a right side view of the first interpolation part thereof;

FIG. 11 is a Plan view of the second interpolation part of a reinforcing structure for slide shutter shown separate for ease of illustration thereof;

FIG. 12 is a bottom plan view of the second interpolation part thereof;

FIG. 13 is a reduced-size front view thereof;

FIG. 14 is a reduced-size front view which shows a stretched state thereof;

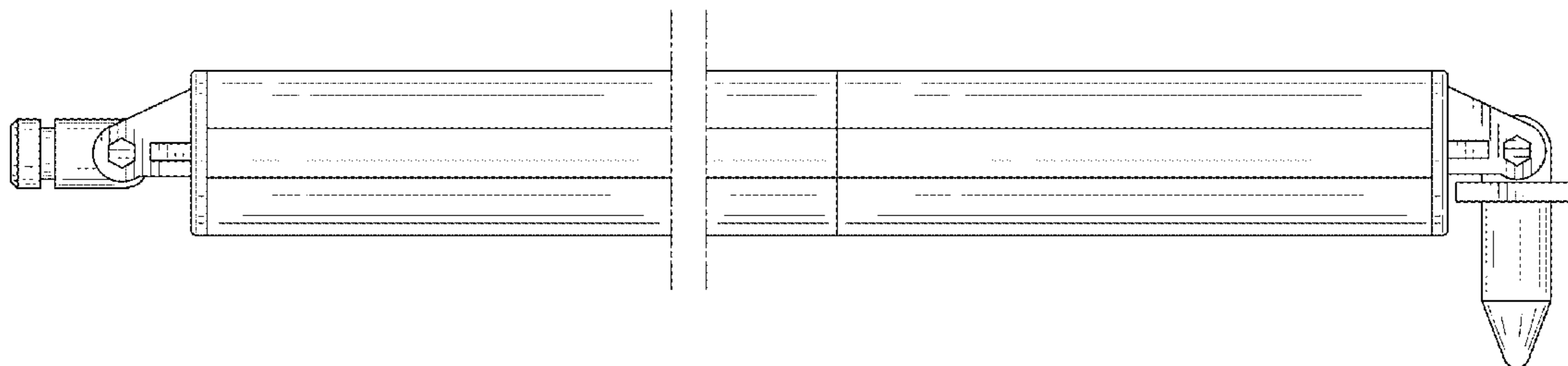
FIG. 15 is a front view of a reinforcing structure for slide shutter shown in use condition;

FIG. 16 is a front view of a reinforcing structure for slide shutter shown in use condition; and,

FIG. 17 is a front view of a reinforcing structure for slide shutter shown in use condition.

The broken line showing of a doorway and shutter in FIGS. 15-17 is included for the purpose of illustrating environmental structure only and forms no part of the claimed design.

1 Claim, 15 Drawing Sheets



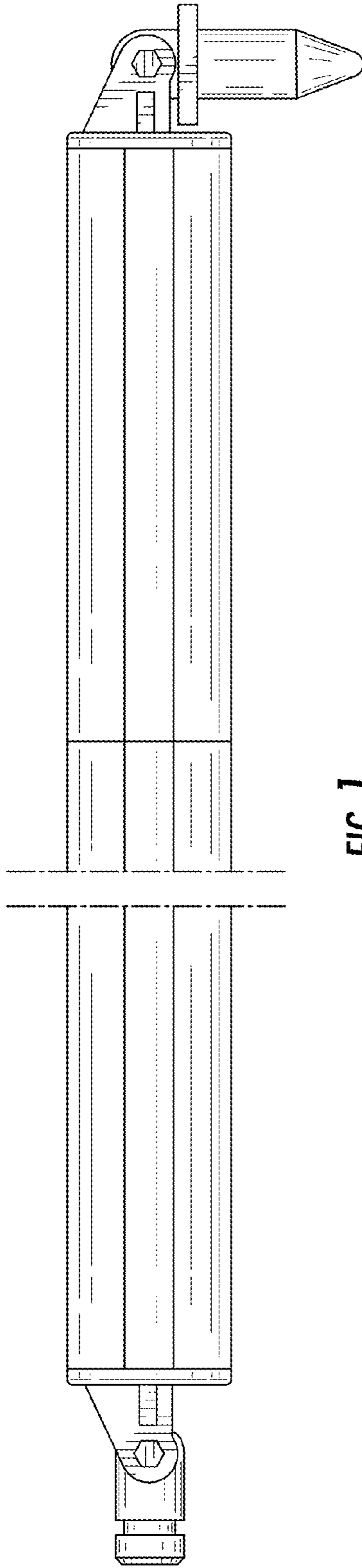


FIG. 1

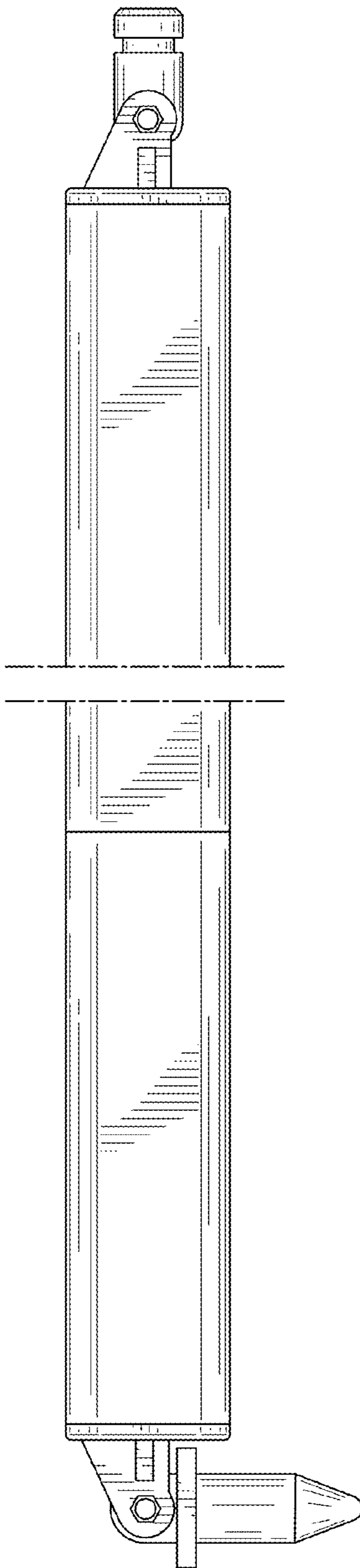


FIG. 2

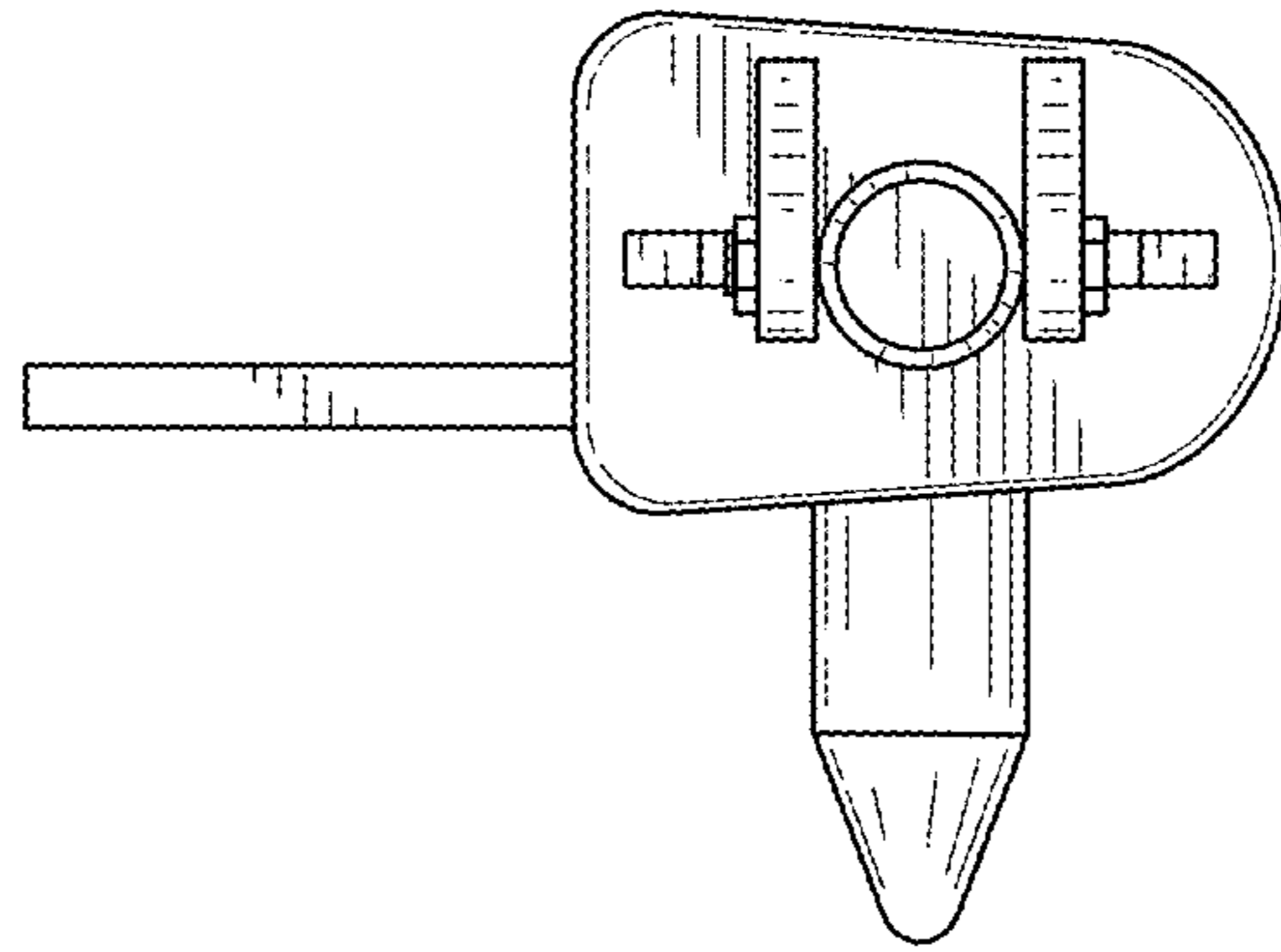


FIG. 3

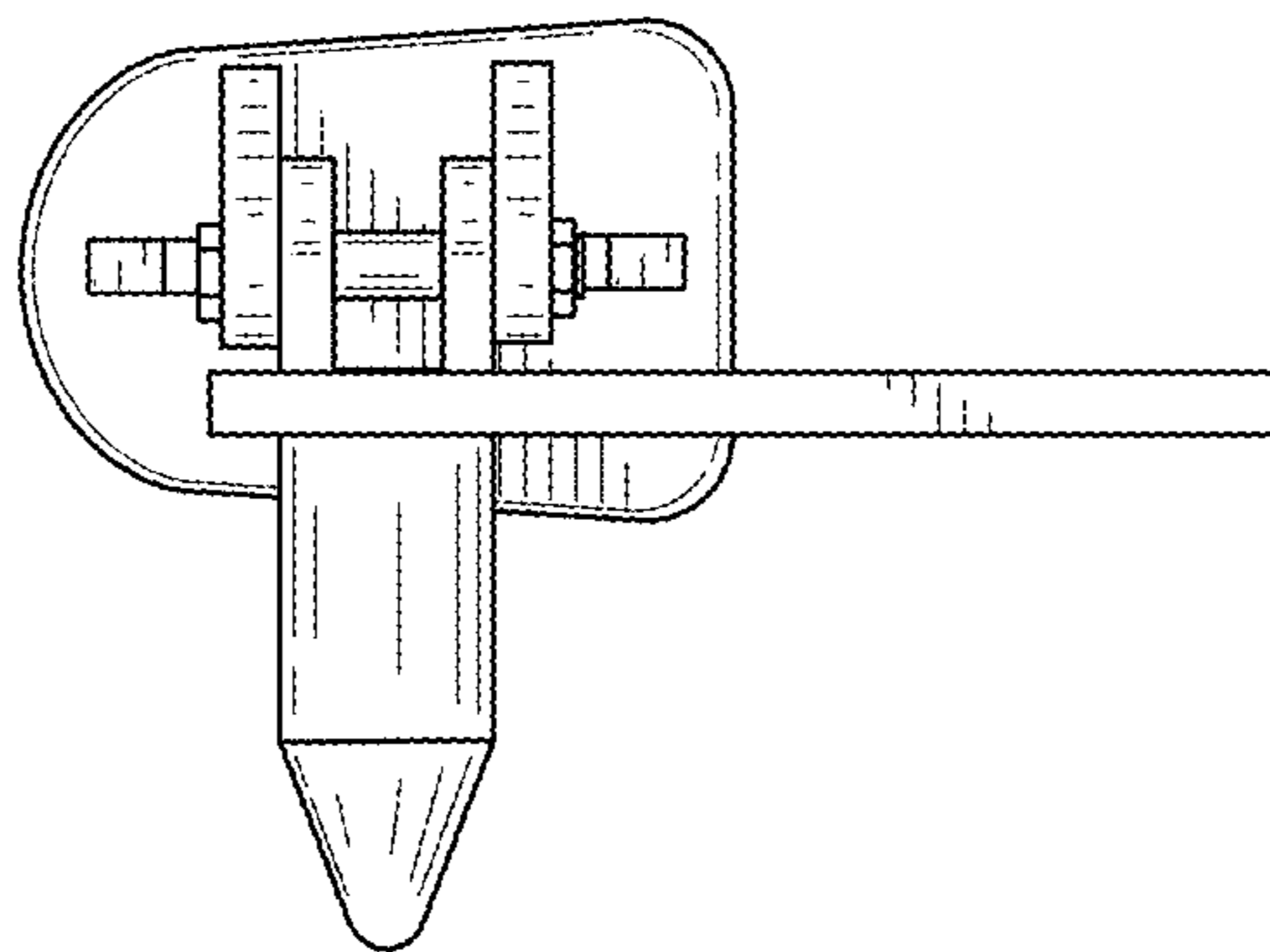


FIG. 4

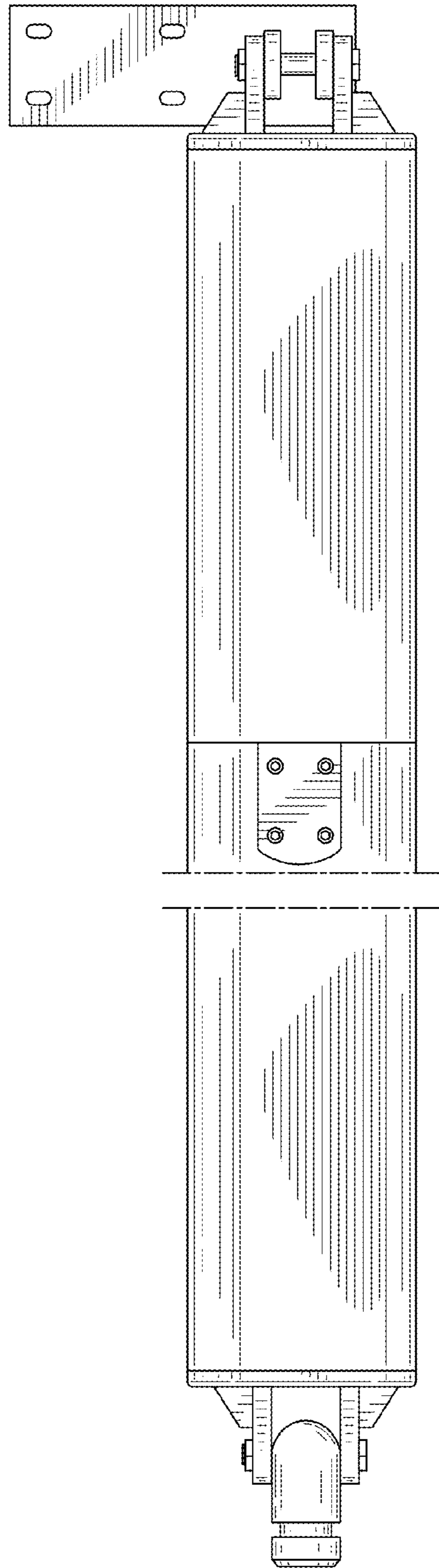
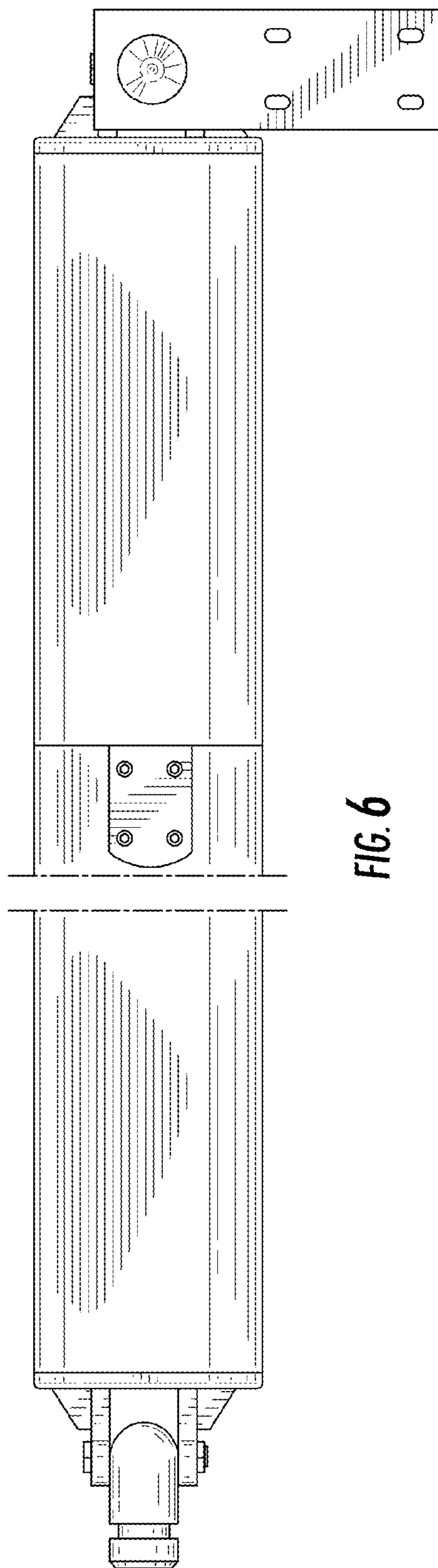


FIG. 5



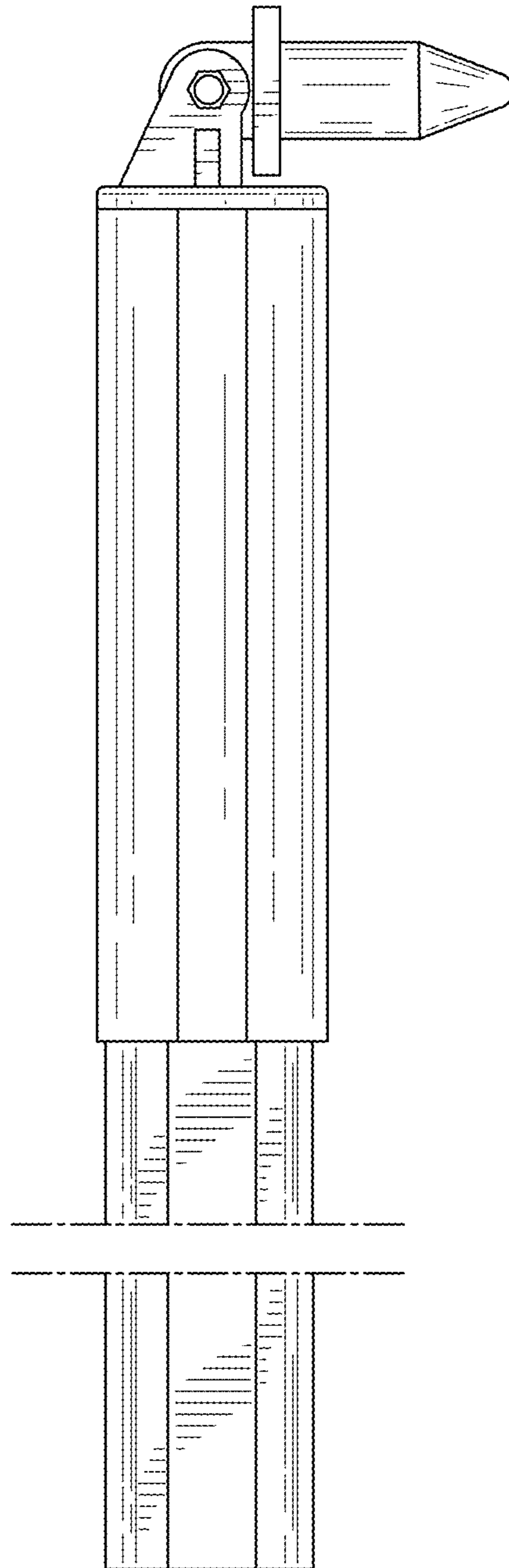


FIG. 7

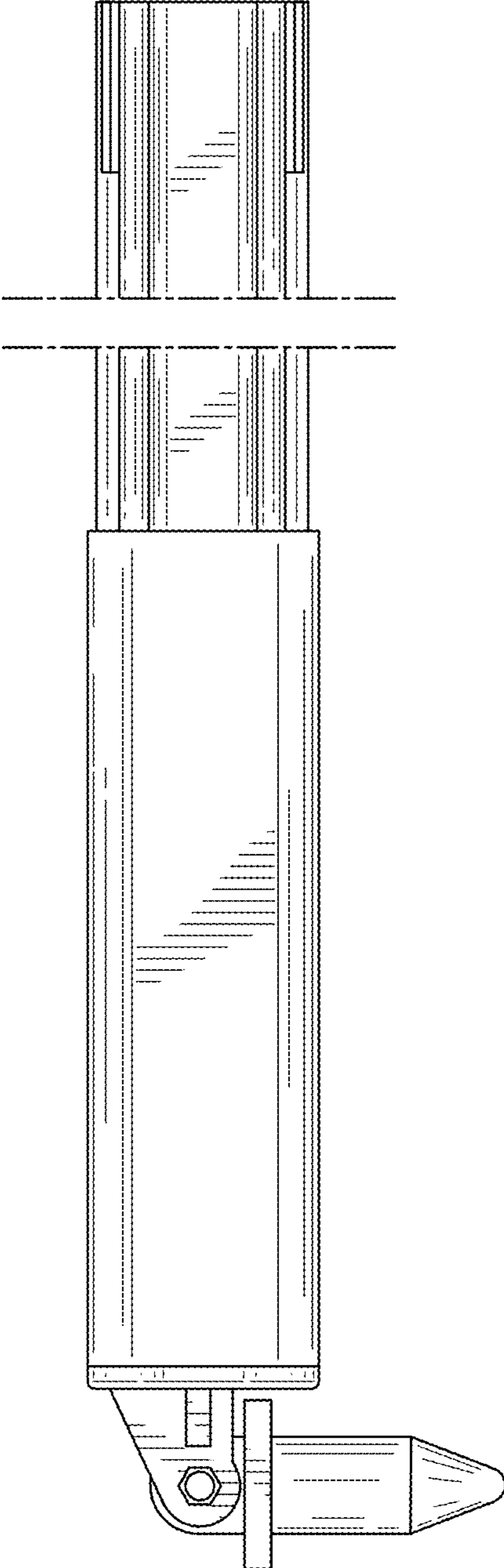


FIG. 8

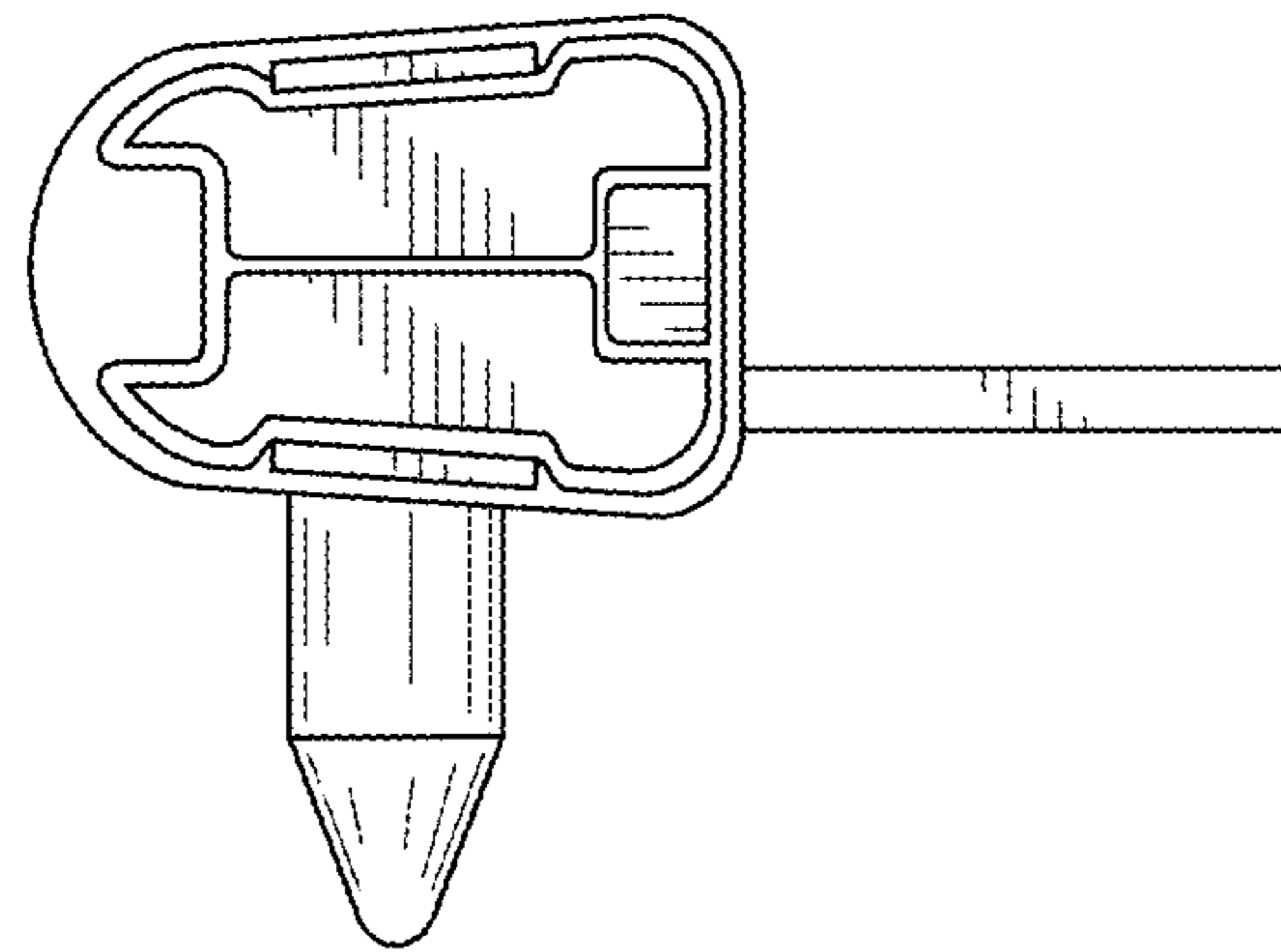


FIG. 9

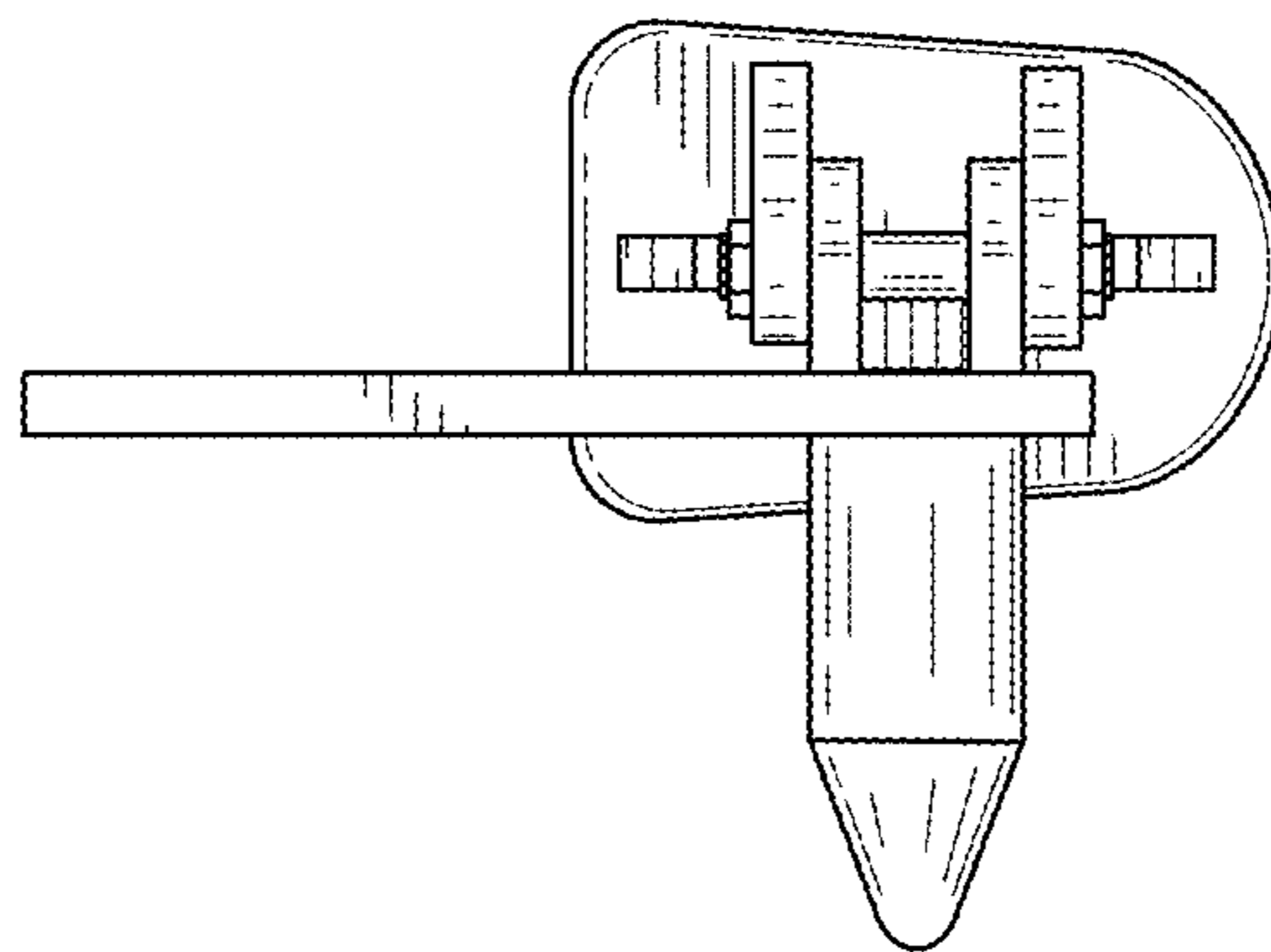


FIG. 10

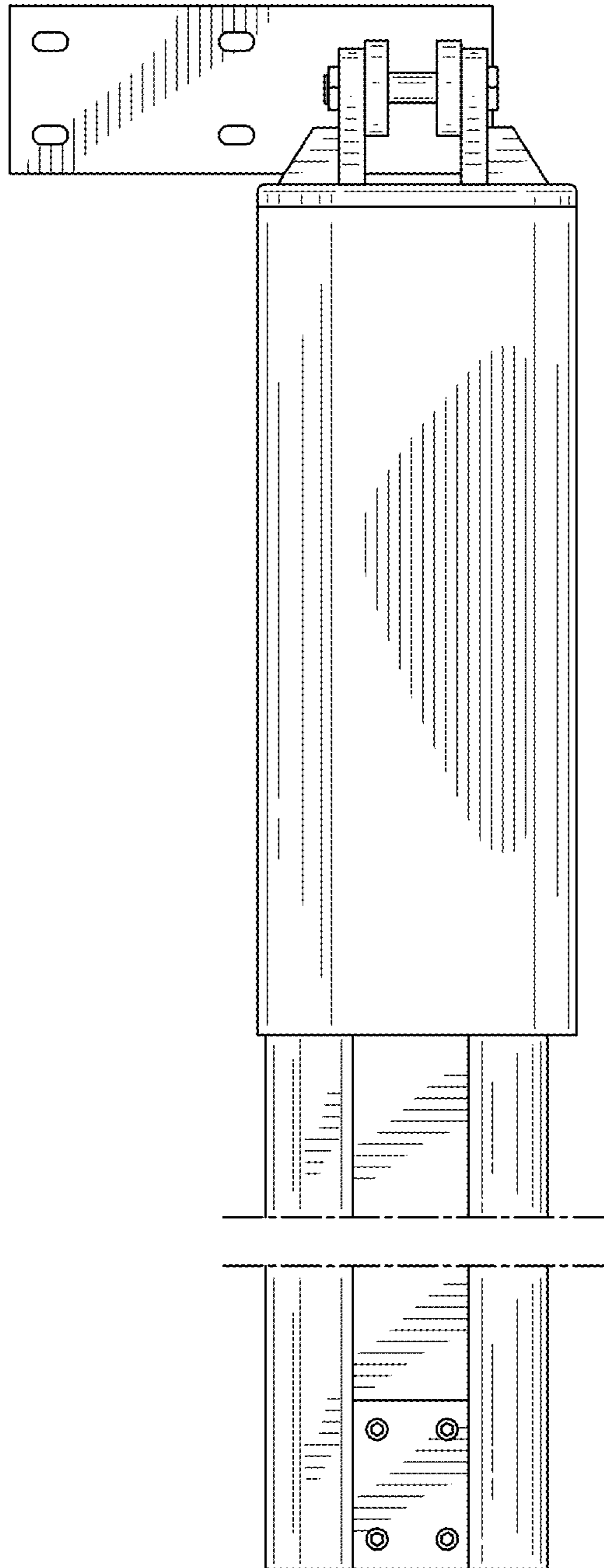


FIG. 11

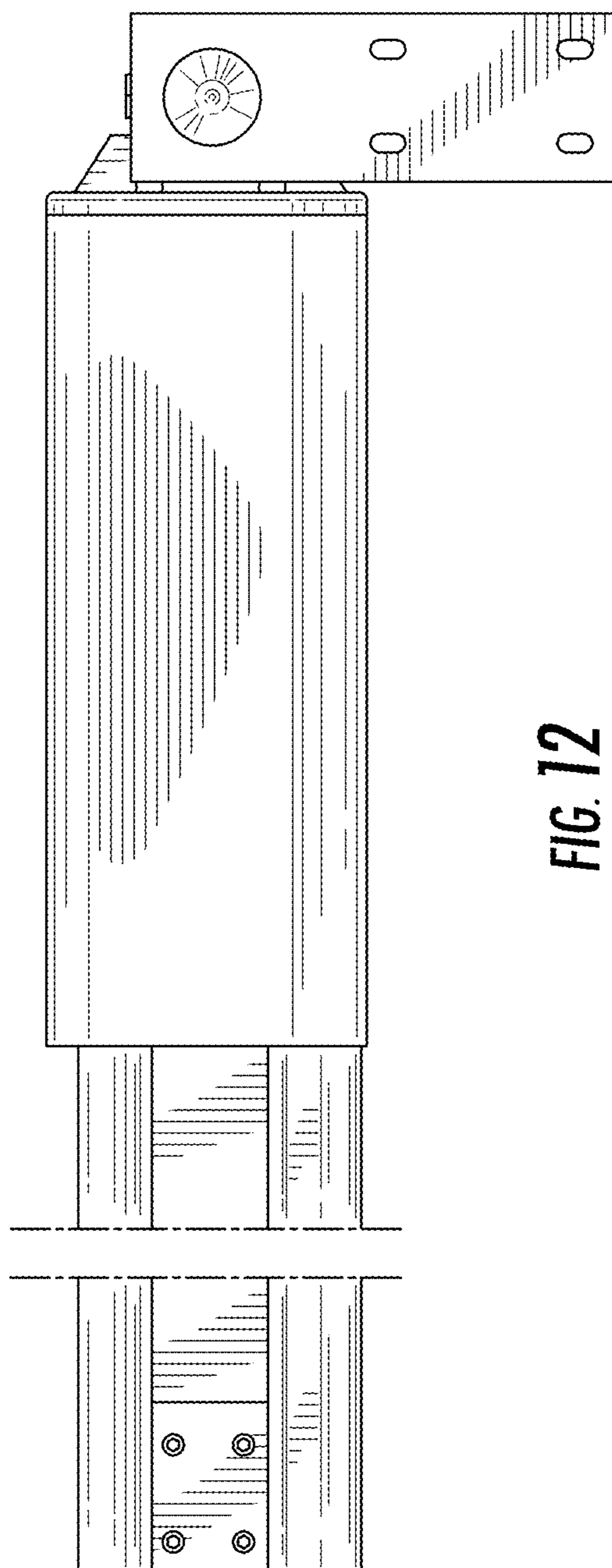


FIG. 12

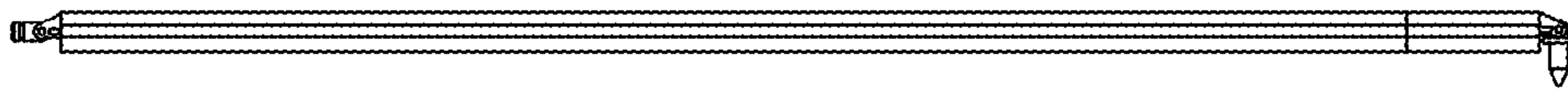


FIG. 13

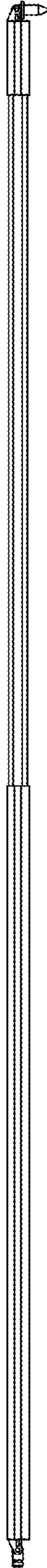


FIG. 14

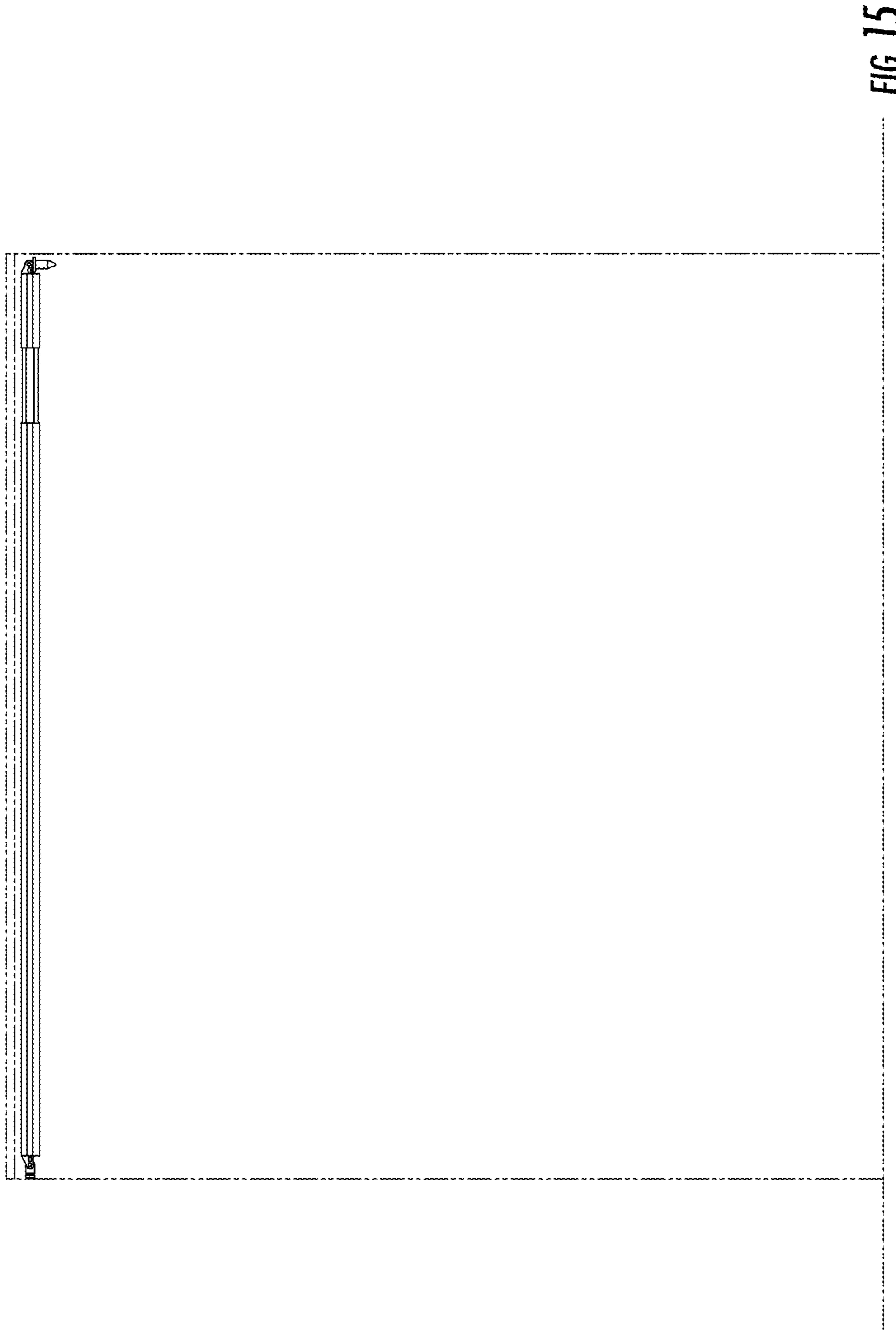


FIG. 15

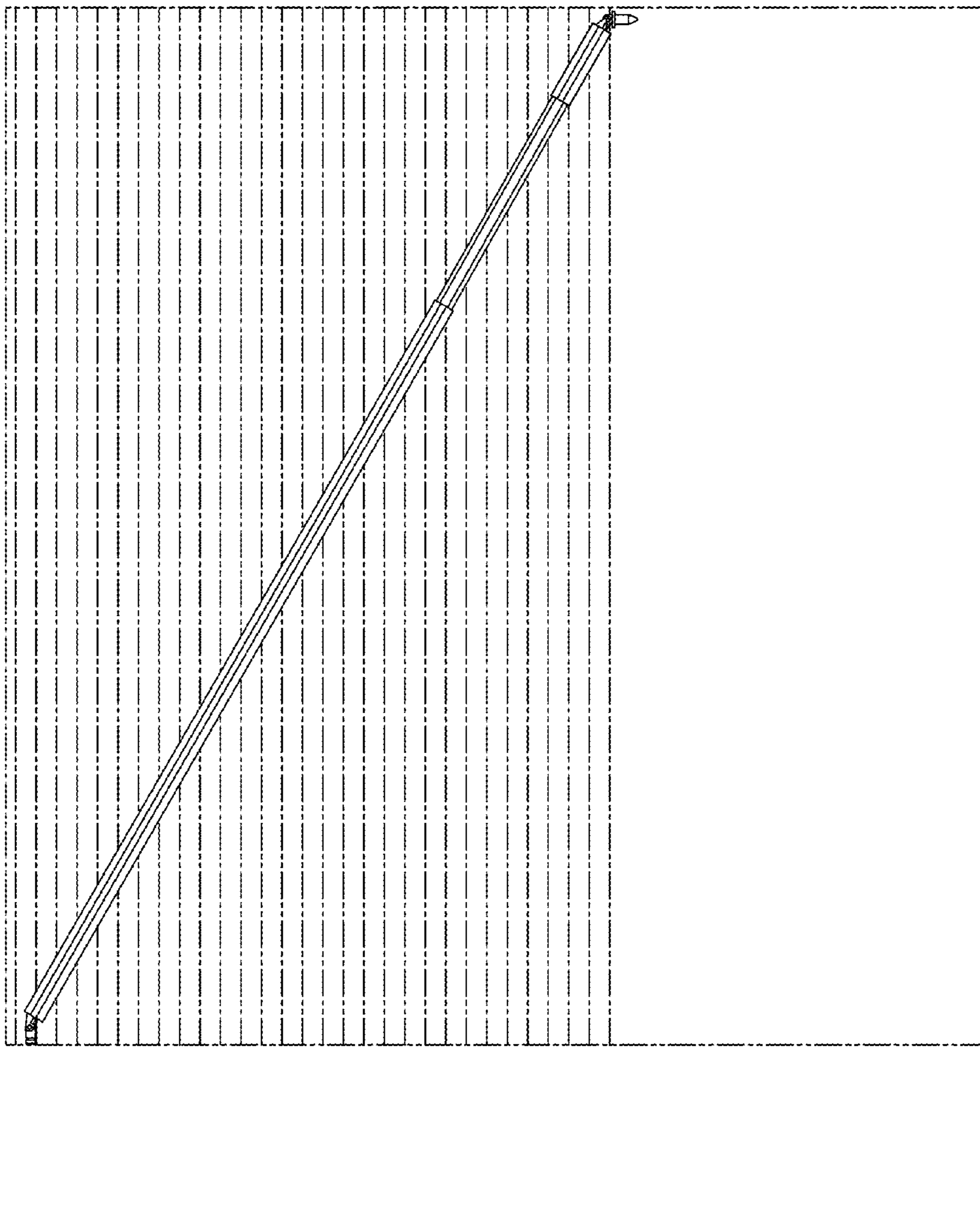


FIG. 16

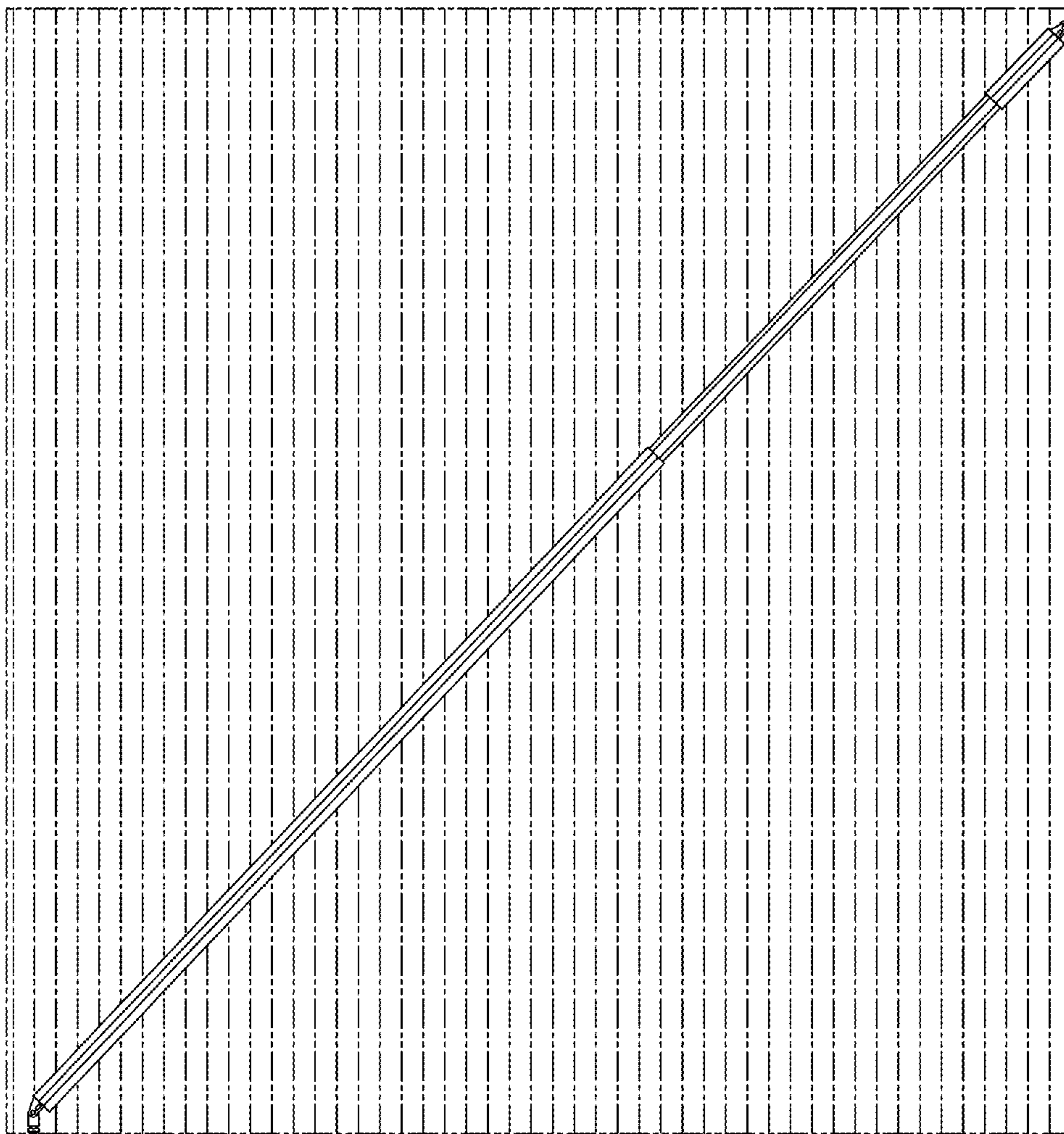


FIG. 17