



US00D717154S

(12) **United States Design Patent**
Li

(10) **Patent No.:** **US D717,154 S**

(45) **Date of Patent:** **** Nov. 11, 2014**

(54) **KEY**

(71) Applicant: **Taiwan Fu Hsing Industrial Co., Ltd.**,
Kaohsiung (TW)

(72) Inventor: **Ching-Wan Li**, Kaohsiung (TW)

(73) Assignee: **Taiwan Fu Hsing Industrial Co., Ltd.**,
Kaohsiung (TW)

(**) Term: **14 Years**

(21) Appl. No.: **29/468,524**

(22) Filed: **Oct. 1, 2013**

(30) **Foreign Application Priority Data**

Apr. 2, 2013 (TW) 102302418

(51) **LOC (10) Cl.** **08-07**

(52) **U.S. Cl.**
USPC **D8/347; D8/346**

(58) **Field of Classification Search**
USPC D8/347, 348, 393, 401, 405-408, 336,
D8/345, 346, 265, 371, 271, 423-430;
70/51, 393, 401, 405-408, 450, 335,
70/345, 346, 265, 371, 271, 423-430

See application file for complete search history.

(56) **References Cited**

U.S. PATENT DOCUMENTS

4,305,267	A *	12/1981	Nish et al.	70/395
5,577,403	A *	11/1996	Steeley	70/456 R
D397,027	S *	8/1998	Brown	D8/348
D417,834	S *	12/1999	Rompel	D8/348
7,036,950	B1 *	5/2006	Freeman et al.	362/100
D556,542	S *	12/2007	Wainwright	D8/347
7,360,383	B1 *	4/2008	Chang	70/395
D623,042	S *	9/2010	Ranshaw et al.	D8/347
D632,542	S *	2/2011	Liu	D8/348
D648,207	S *	11/2011	Johnson	D8/347

* cited by examiner

Primary Examiner — Prabhakar Deshmukh

(74) *Attorney, Agent, or Firm* — Jackson IPG PLLC

(57) **CLAIM**

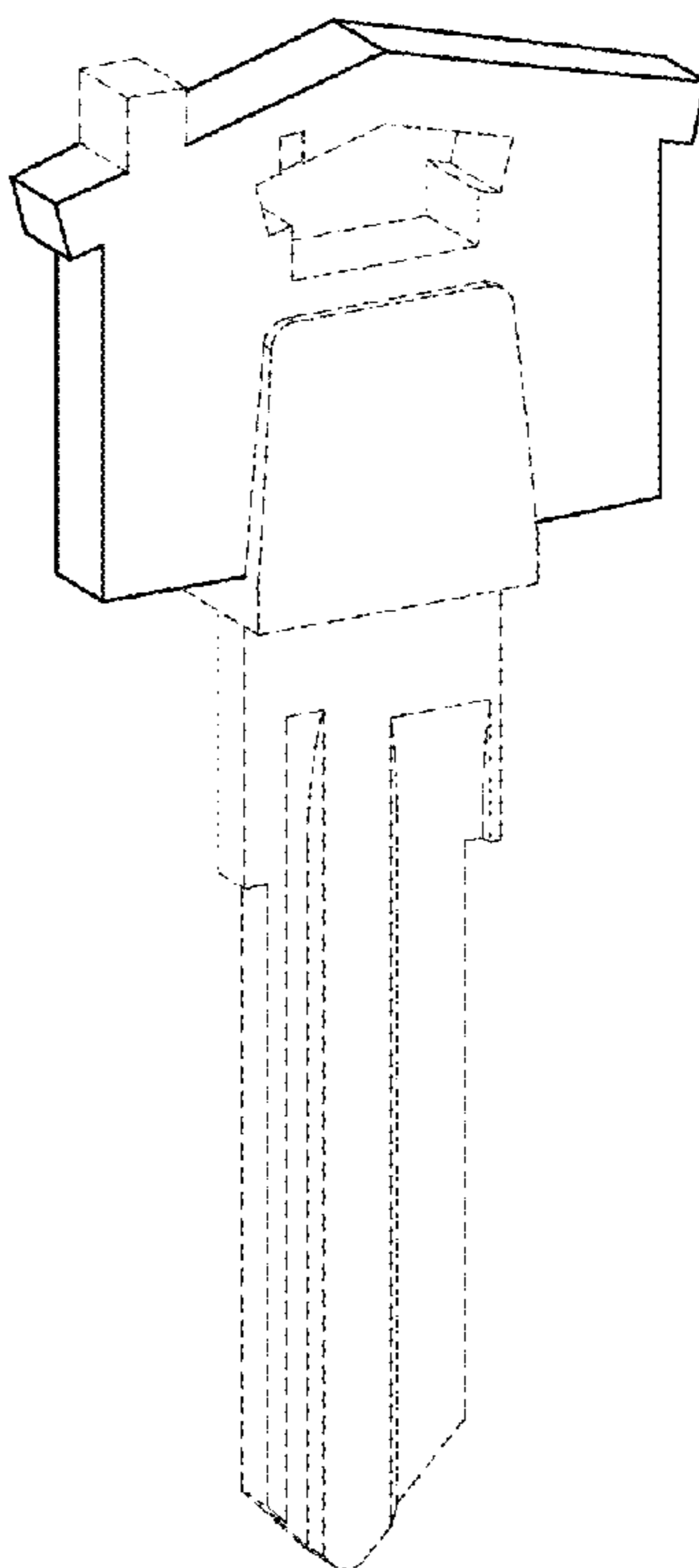
The ornamental design for a key, as shown and described.

DESCRIPTION

FIG. 1 is a perspective view of a key showing our new design;
FIG. 2 is a front elevational view thereof;
FIG. 3 is a top plan view thereof;
FIG. 4 is a right side elevational view thereof;
FIG. 5 is a left side elevational view thereof;
FIG. 6 is a rear elevational view thereof; and,
FIG. 7 is a bottom plan view thereof.

The broken line showing of the key portion is included for the purpose of illustrating only and forms no part of the claimed design.

1 Claim, 5 Drawing Sheets



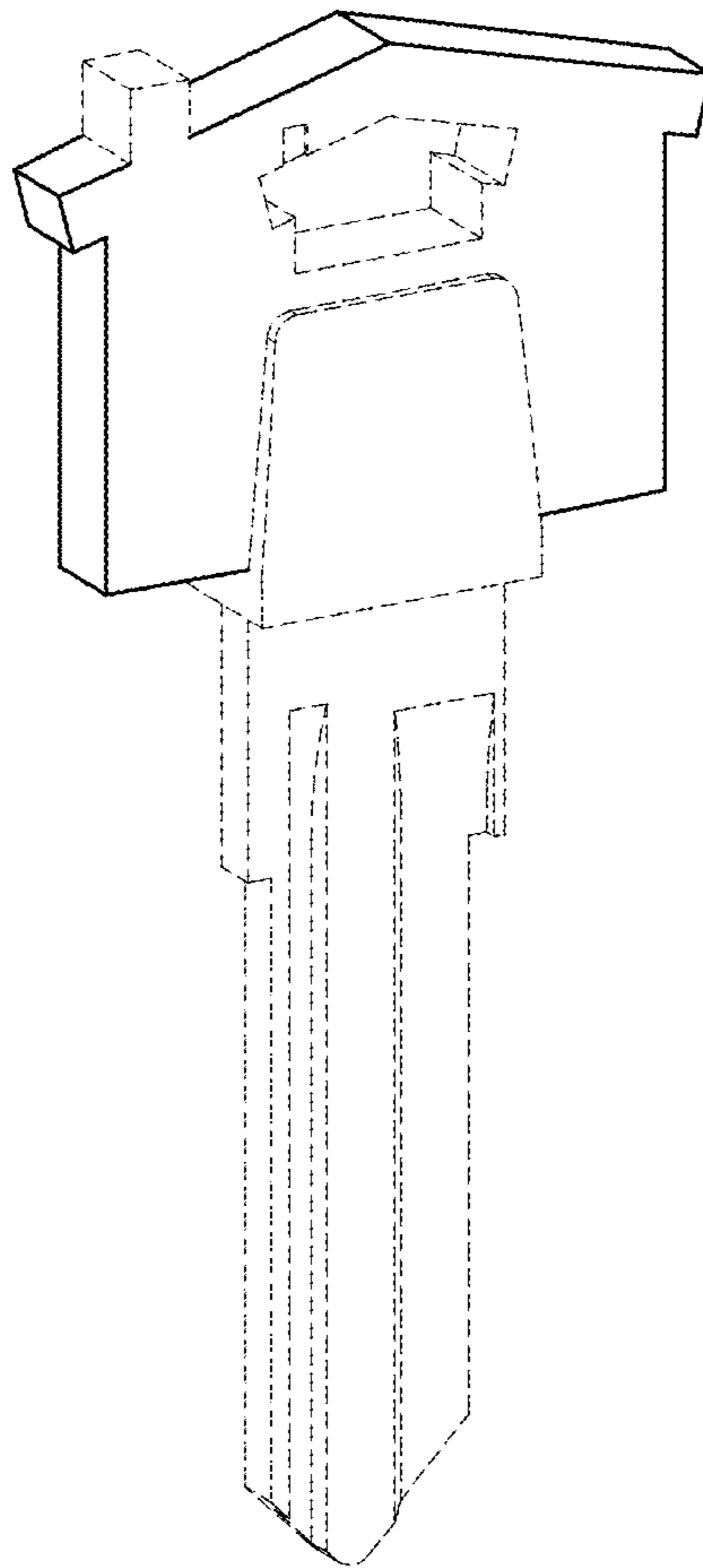


FIG. 1

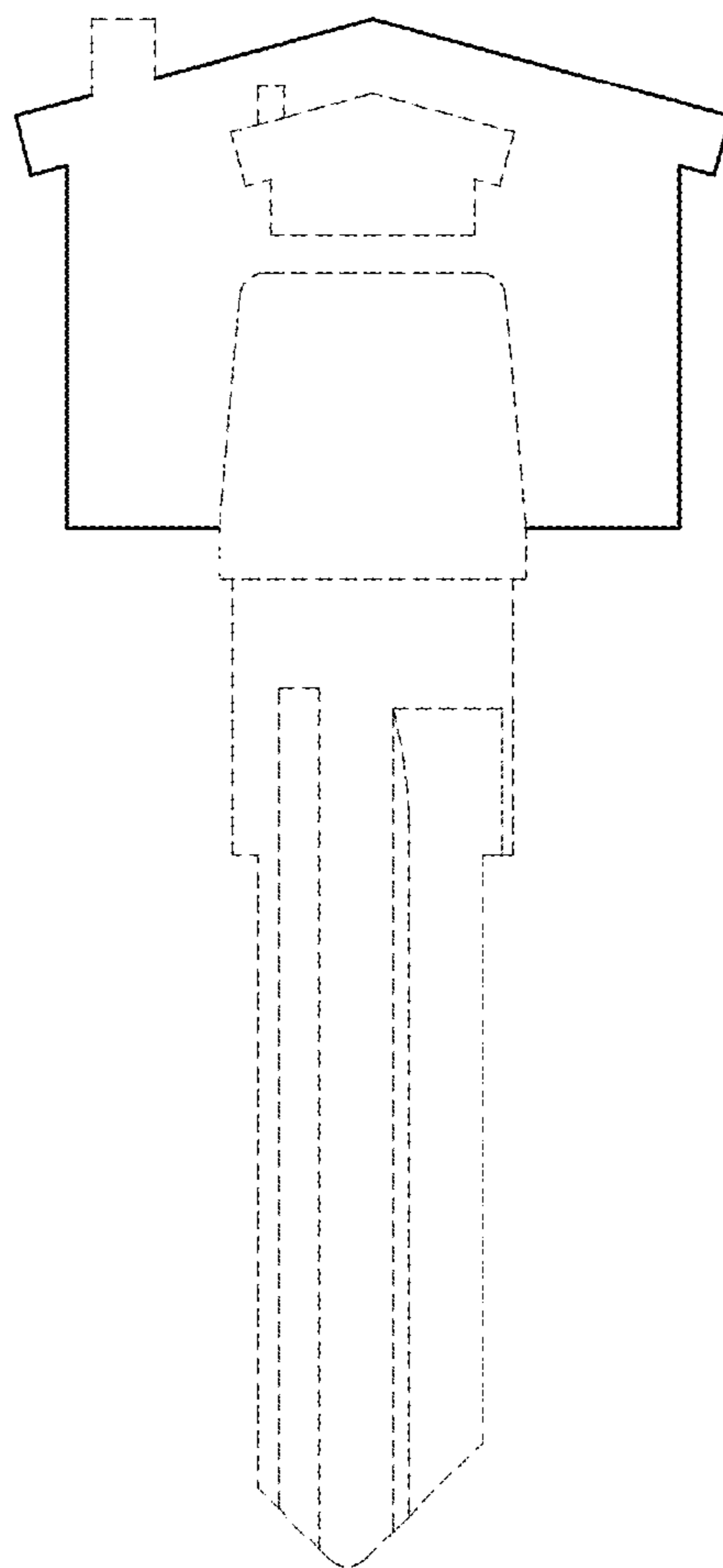


FIG. 2

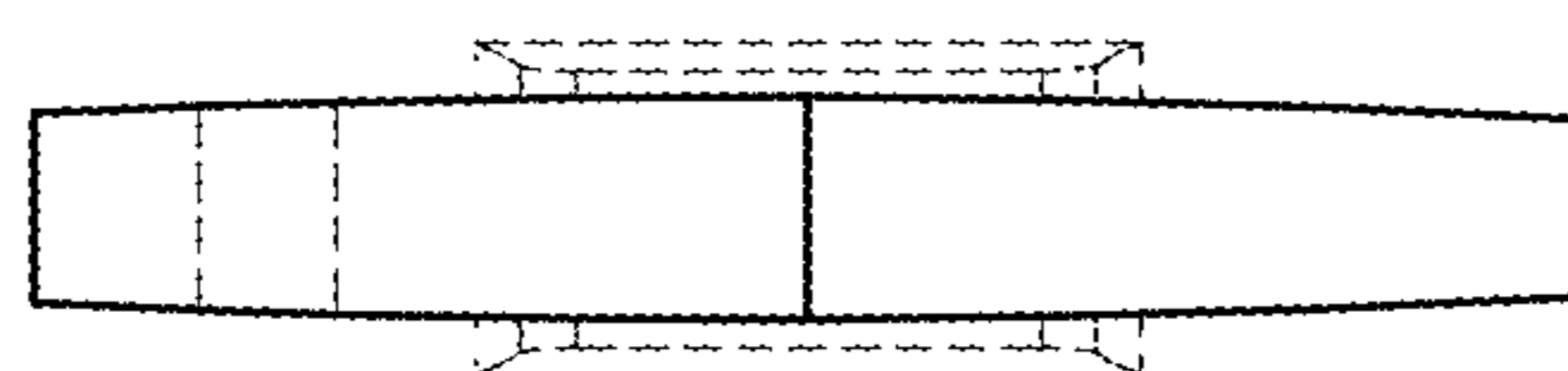


FIG. 3

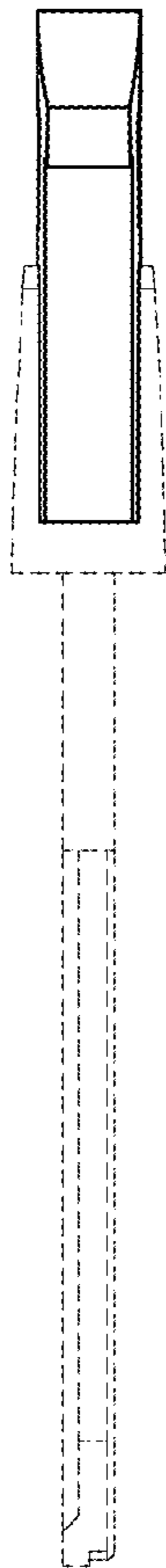


FIG. 4

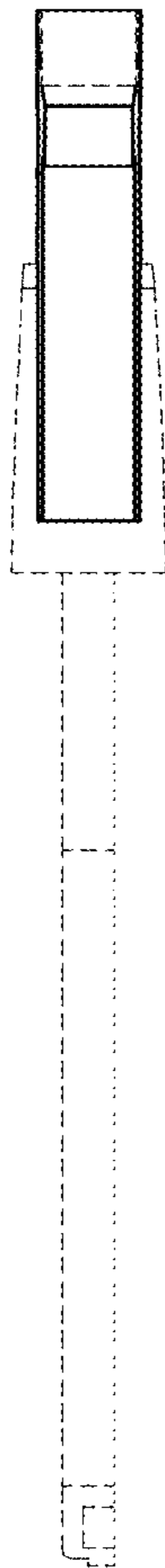


FIG. 5

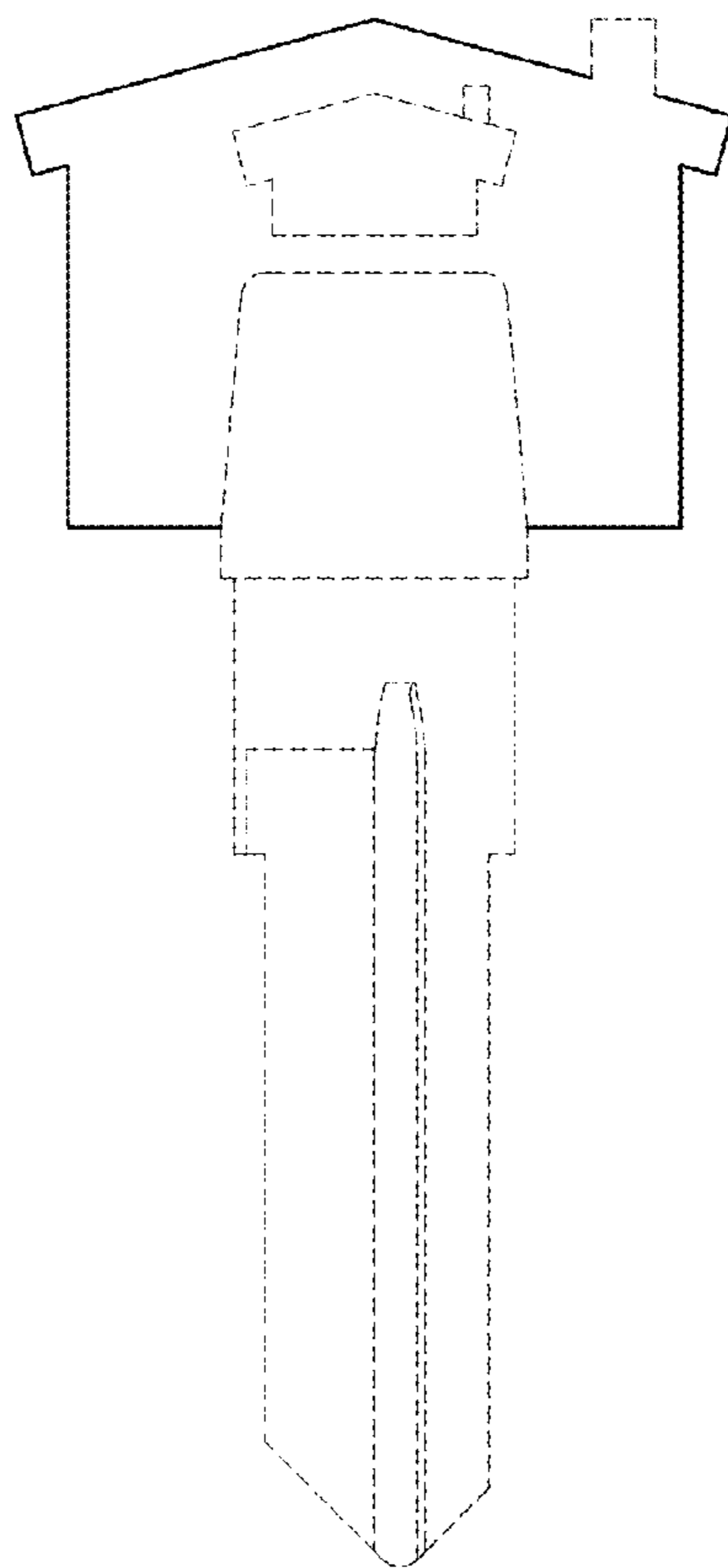


FIG. 6

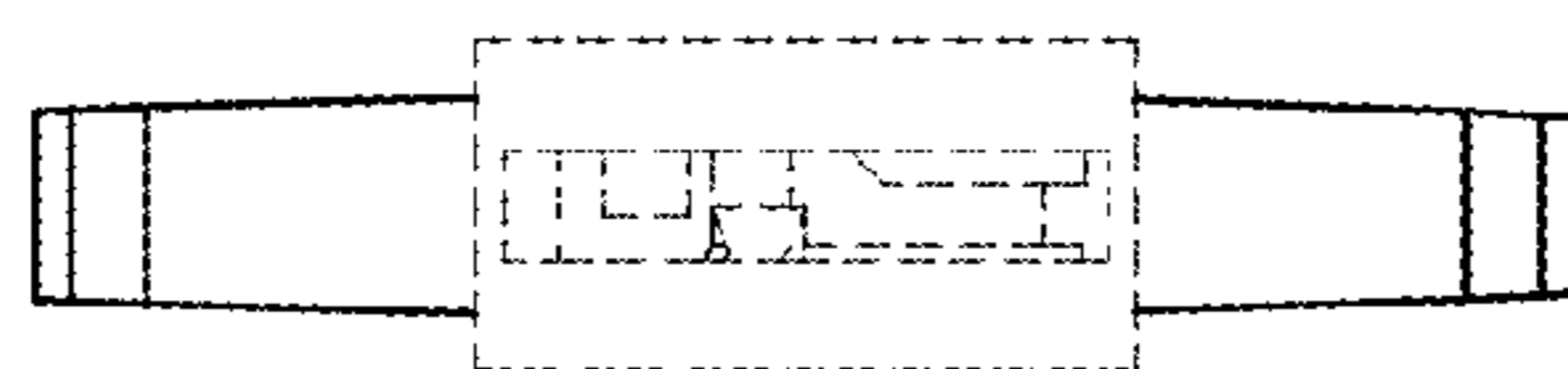


FIG. 7