



US00D717151S

(12) **United States Design Patent**
Ramsland et al.

(10) **Patent No.:** **US D717,151 S**

(45) **Date of Patent:** **** Nov. 11, 2014**

- (54) **CABINET KNOB**
- (71) Applicant: **Top Knobs USA, Inc.**, Hillsborough, NJ (US)
- (72) Inventors: **Warren Ramsland**, Hillsborough, NJ (US); **Christine Zimmer**, Hillsborough, NJ (US)
- (73) Assignee: **Top Knobs USA, Inc.**, Hillsborough, NJ (US)
- (**) Term: **14 Years**
- (21) Appl. No.: **29/475,144**

D526,883 S *	8/2006	Gilbert	D8/312
D540,142 S *	4/2007	Rexach	D8/307
D563,195 S *	3/2008	Ricereto	D8/310
D568,712 S *	5/2008	Ricereto	D8/305
D602,330 S *	10/2009	Hanes	D8/307
D602,332 S *	10/2009	Hanes	D8/307
D602,333 S *	10/2009	Hanes	D8/307
D629,278 S *	12/2010	Koskela	D8/310
D660,679 S *	5/2012	Han	D8/310
D679,978 S *	4/2013	Ramsland et al.	D8/307
D679,979 S *	4/2013	Ramsland et al.	D8/307
D679,982 S *	4/2013	Ramsland et al.	D8/312
D680,405 S *	4/2013	Ramsland et al.	D8/307
D680,408 S *	4/2013	Han	D8/307
D680,409 S *	4/2013	Han	D8/307
D704,029 S *	5/2014	Jou	D8/310
D707,098 S *	6/2014	Han	D8/307

* cited by examiner

- (22) Filed: **Nov. 29, 2013**
- (51) **LOC (10) Cl.** **08-06**
- (52) **U.S. Cl.**
USPC **D8/312; D8/307**
- (58) **Field of Classification Search**
USPC D8/300-303, 305-312, 321, DIG. 2, D8/DIG. 1; D7/402, 405, 393; 74/553, 548, 74/558.5; 116/309, 315, 311, 312, 319, 116/320; 200/316, 336; 345/156; 16/441, 16/110 R, 114 R, 121, 118, 414; 292/413, 292/263

See application file for complete search history.

(56) **References Cited**
U.S. PATENT DOCUMENTS

D274,690 S *	7/1984	Cesaroni	D8/310
D370,613 S *	6/1996	Ainscough	D8/307
D442,055 S *	5/2001	Dewald et al.	D8/310

Primary Examiner — Mark Goodwin

(74) *Attorney, Agent, or Firm* — Schultz & Associates, P.C.

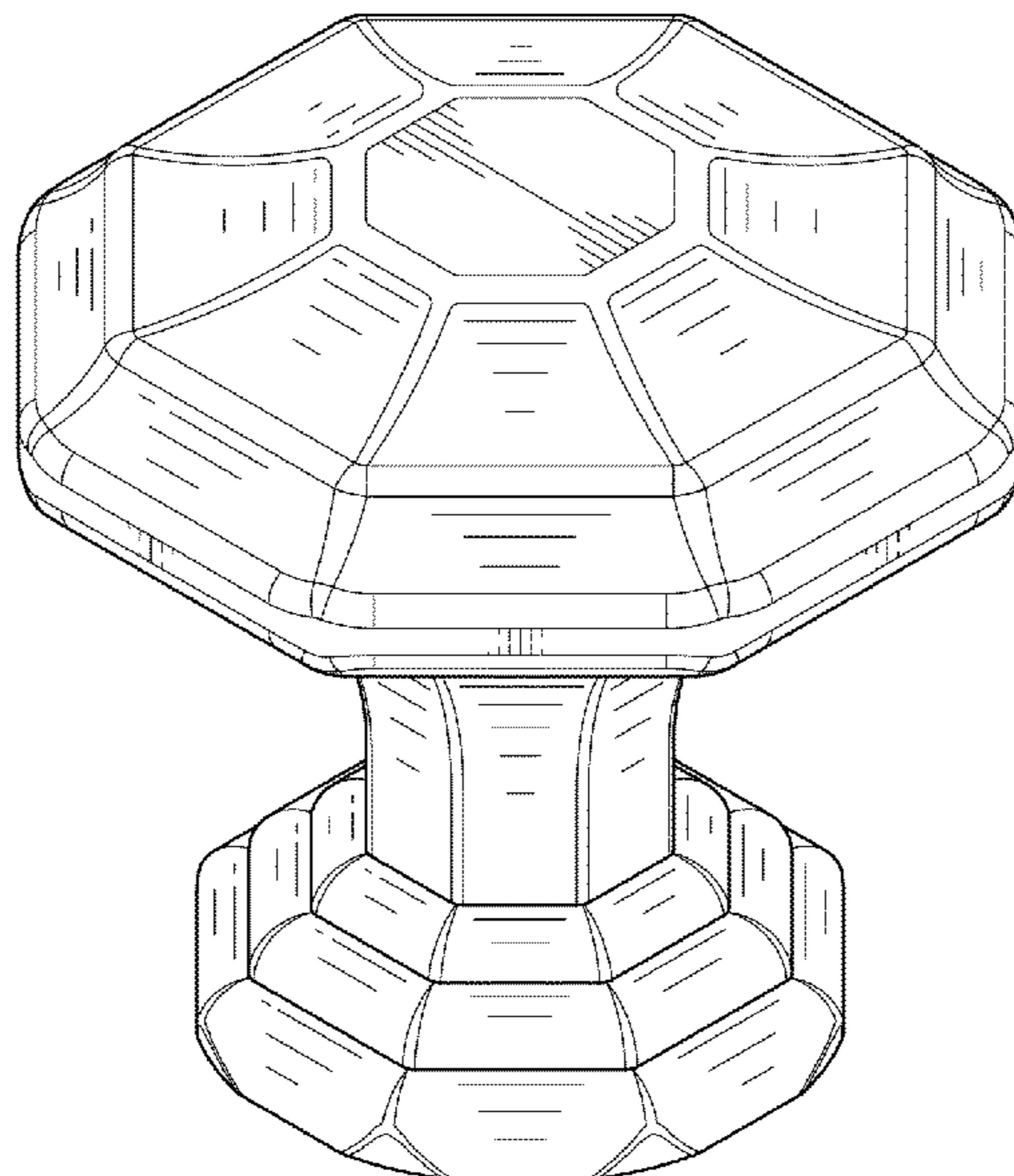
(57) **CLAIM**

The ornamental design for a cabinet knob, as shown and described.

DESCRIPTION

FIG. 1 is a perspective view of a cabinet knob showing my new design;
FIG. 2 is a side elevation view thereof;
FIG. 3 is a top plan view thereof; and,
FIG. 4 is a bottom plan view thereof.
The broken lines shown represent unclaimed subject matter and form no part of the claimed design.

1 Claim, 2 Drawing Sheets



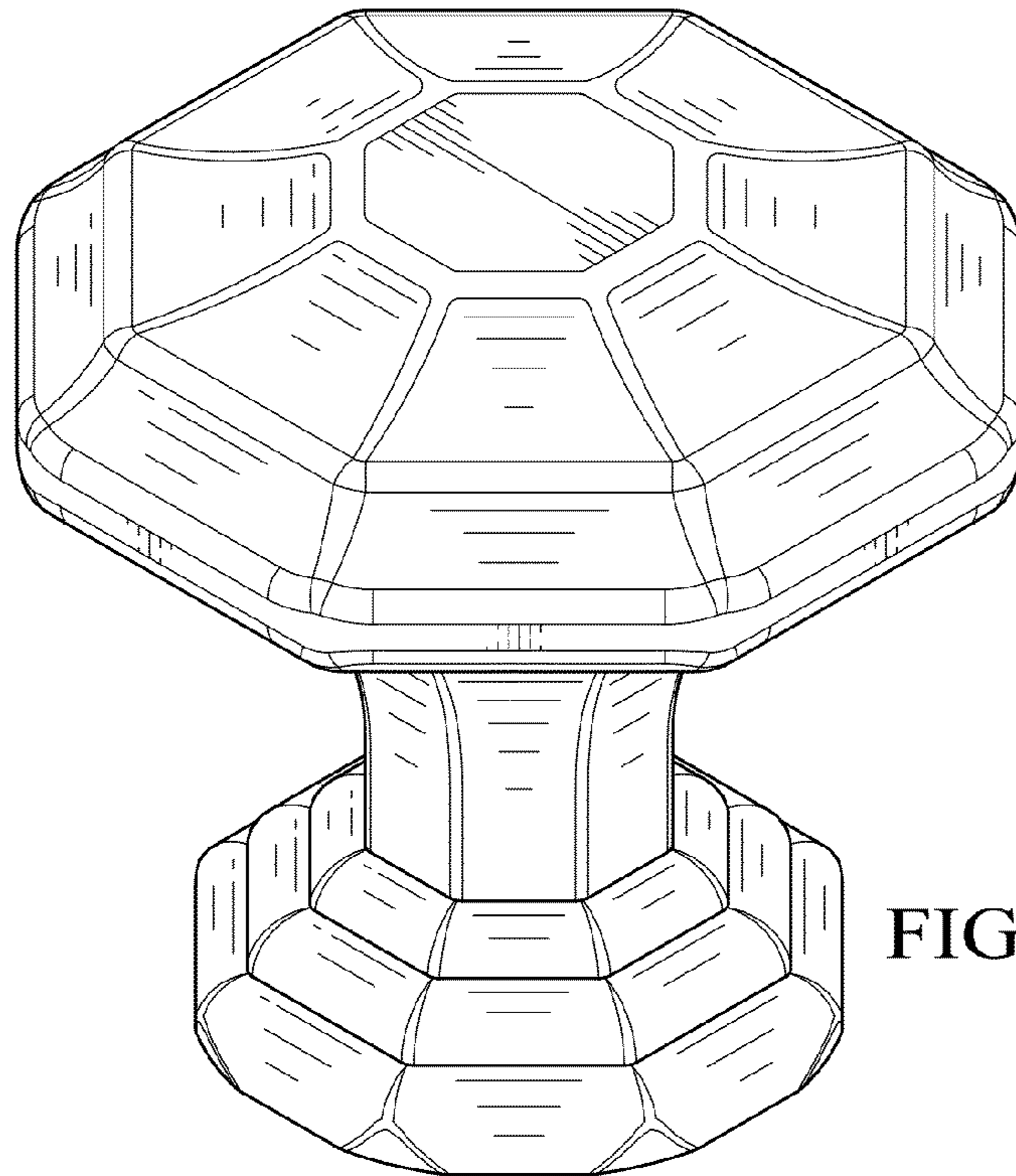


FIG. 1

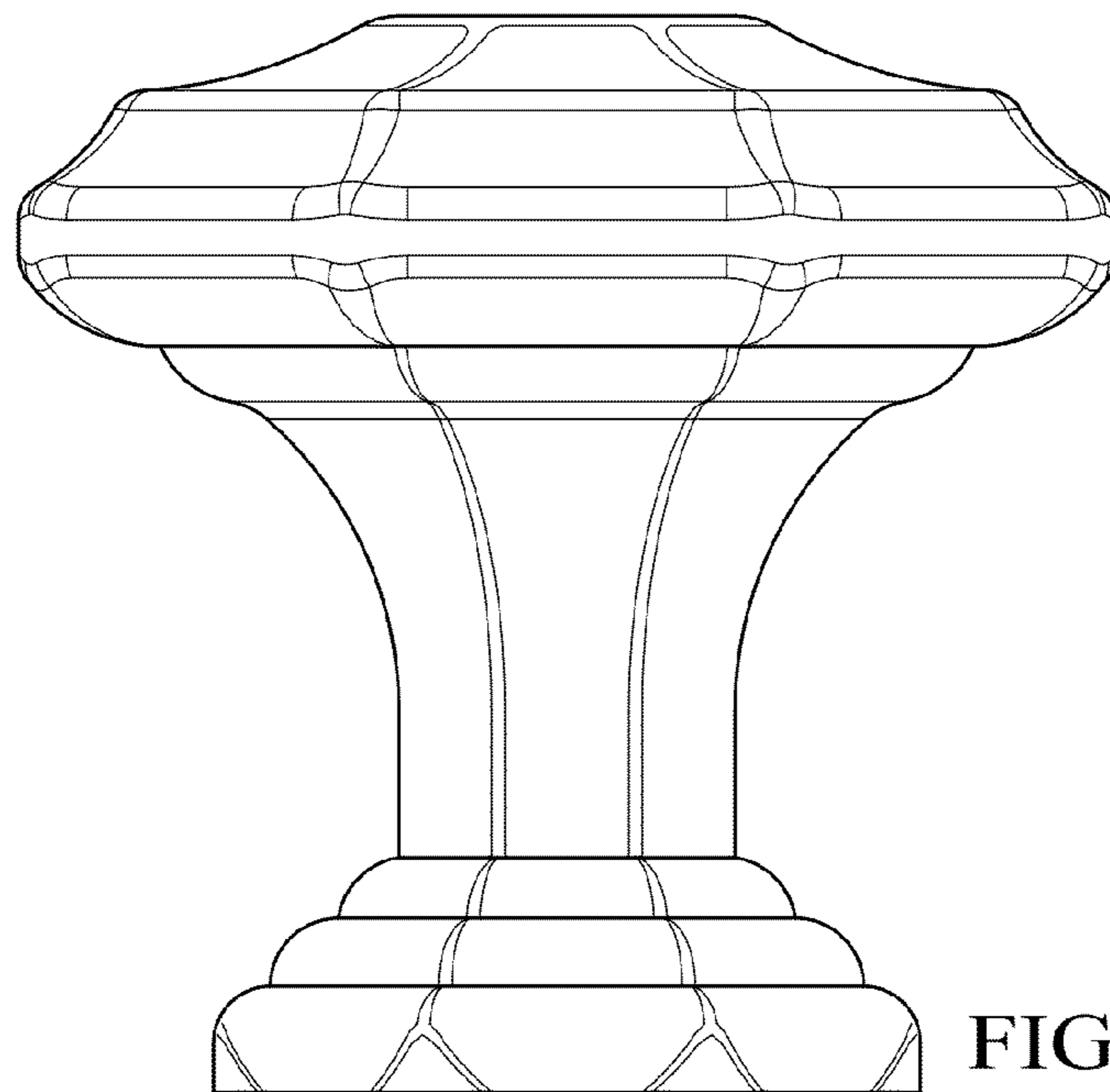


FIG. 2

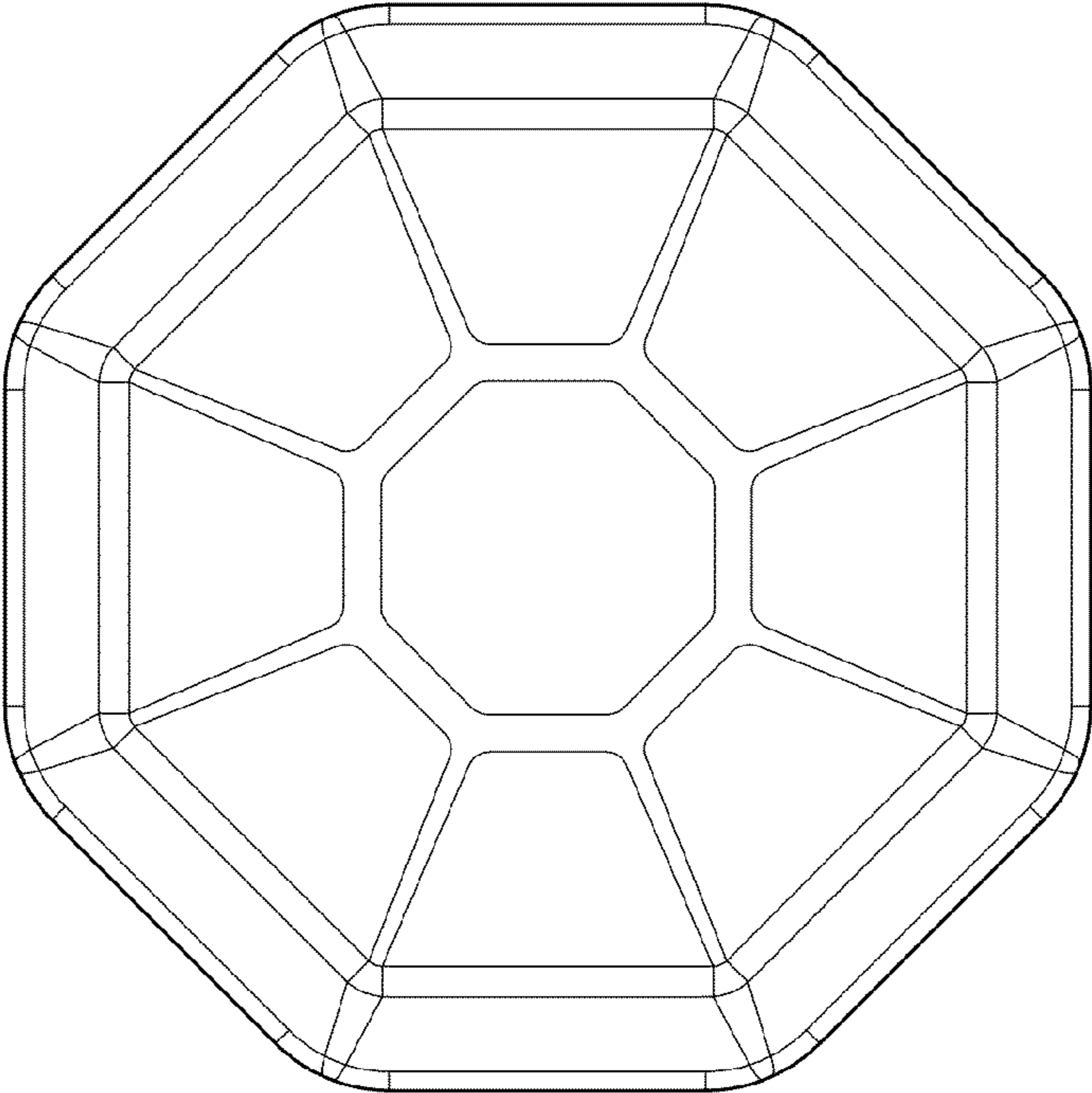


FIG. 3

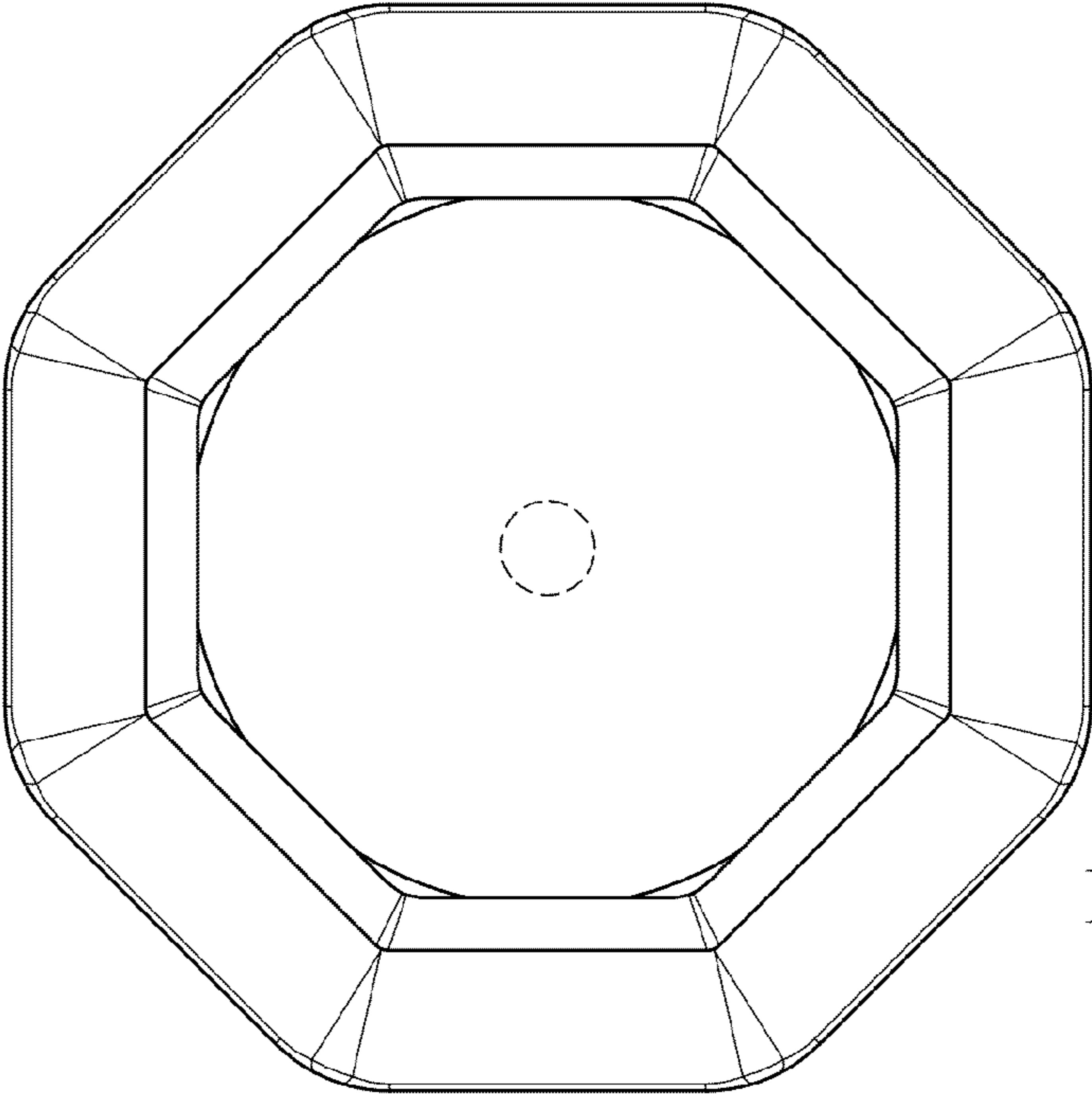


FIG. 4