



US00D717150S

(12) **United States Design Patent**  
**Masuda**

(10) **Patent No.:** **US D717,150 S**

(45) **Date of Patent:** **\*\* Nov. 11, 2014**

(54) **CUTTER KNIFE**

(71) Applicant: **Olfa Corporation**, Osaka (JP)

(72) Inventor: **Minoru Masuda**, Osaka (JP)

(73) Assignee: **Olfa Corporation** (JP)

(\*\*) Term: **14 Years**

(21) Appl. No.: **29/439,098**

(22) Filed: **Dec. 6, 2012**

(30) **Foreign Application Priority Data**

Jun. 8, 2012 (JP) ..... 2012-13689

(51) **LOC (10) Cl.** ..... **08-03**

(52) **U.S. Cl.**  
USPC ..... **D8/98**

(58) **Field of Classification Search**  
USPC ..... D8/98, 99, 105, 107; 30/2, 162, 329,  
30/335; D24/147; D19/177, 173  
See application file for complete search history.

(56) **References Cited**

**U.S. PATENT DOCUMENTS**

D398,829 S *	9/1998	Okada	.....	D8/99
D428,790 S *	8/2000	Jacquet	.....	D8/99
D453,896 S *	2/2002	Hirai	.....	D8/99
D464,552 S *	10/2002	Jacquet	.....	D8/99
D480,289 S *	10/2003	Jacquet	.....	D8/99
D499,948 S *	12/2004	Kondo et al.	.....	D8/99

D511,448 S *	11/2005	Chen	.....	D8/99
D549,068 S *	8/2007	Groten	.....	D8/99
D560,462 S *	1/2008	Takamasa	.....	D8/98
D596,474 S *	7/2009	Groten	.....	D8/99
D602,325 S *	10/2009	van Deursen	.....	D8/99
D699,540 S *	2/2014	Wagner	.....	D8/99

\* cited by examiner

*Primary Examiner* — Phillip S Hyder

(74) *Attorney, Agent, or Firm* — SAIDMAN DesignLaw Group

(57) **CLAIM**

The ornamental design for a cutter knife, as shown and described.

**DESCRIPTION**

FIG. 1 is a perspective view of a cutter knife showing my new design;

FIG. 2 is a front elevational view thereof;

FIG. 3 is a rear elevational view thereof;

FIG. 4 is a left side view thereof;

FIG. 5 is a right side view thereof;

FIG. 6 is a top plan view thereof;

FIG. 7 is a bottom plan view thereof;

FIG. 8 is a perspective view of the design for a cutter knife, wherein the broken line environmental subject matter is limited to the tail cap;

FIG. 9 is a top plan view thereof; and,

FIG. 10 is a bottom plan view thereof.

The broken lines depict environmental subject matter only and form no part of the claimed design.

**1 Claim, 4 Drawing Sheets**

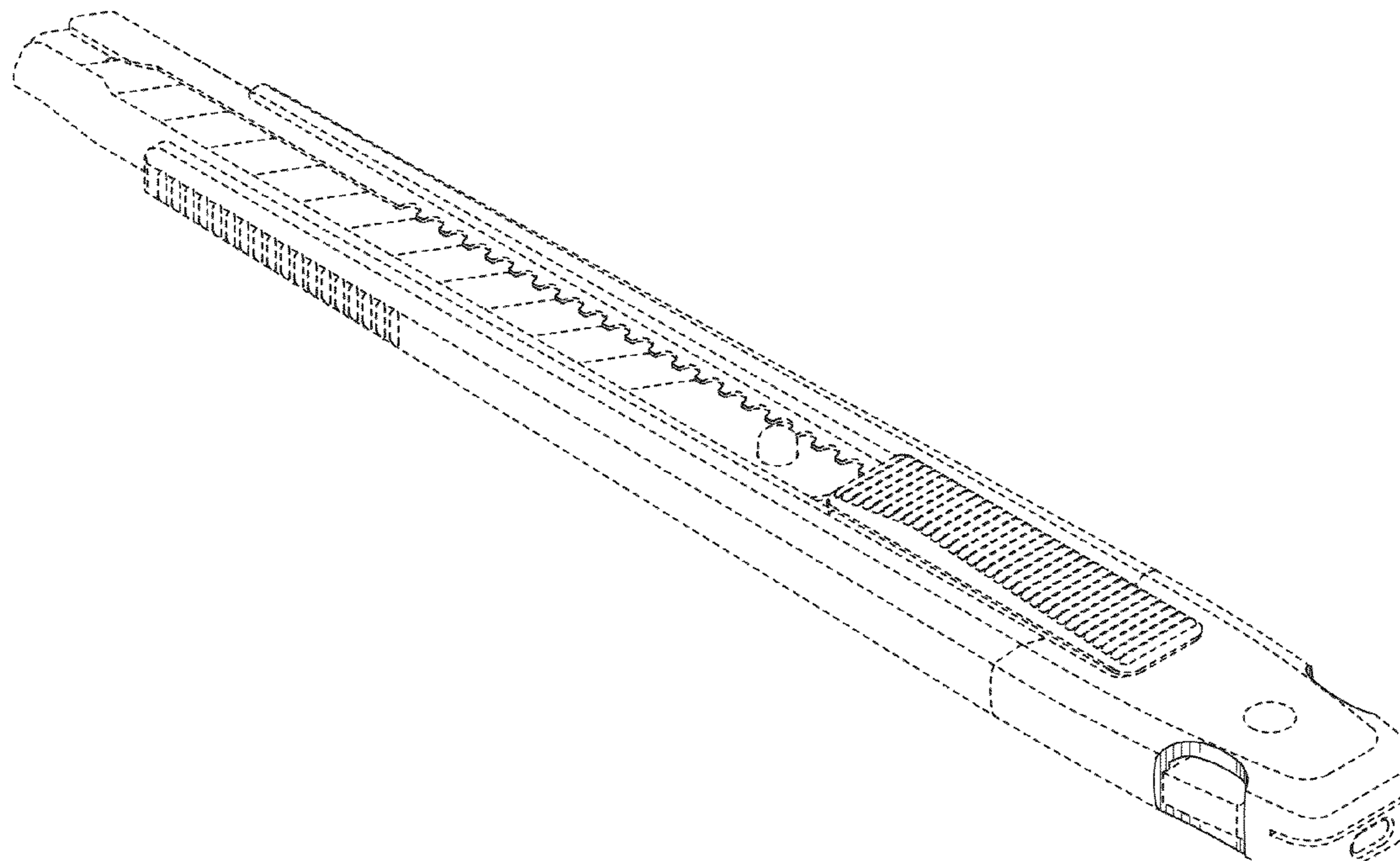


FIG. 1

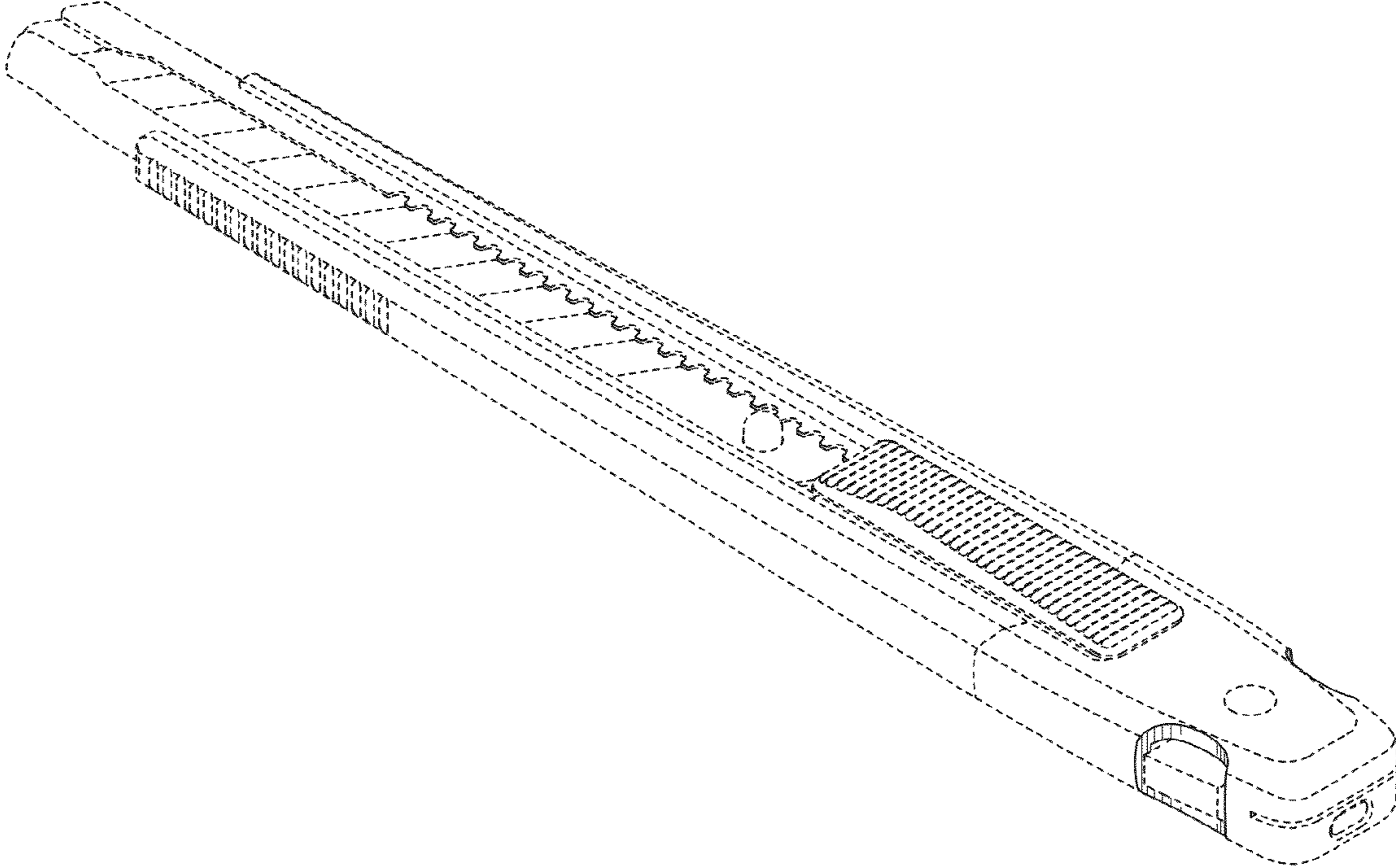


FIG. 2

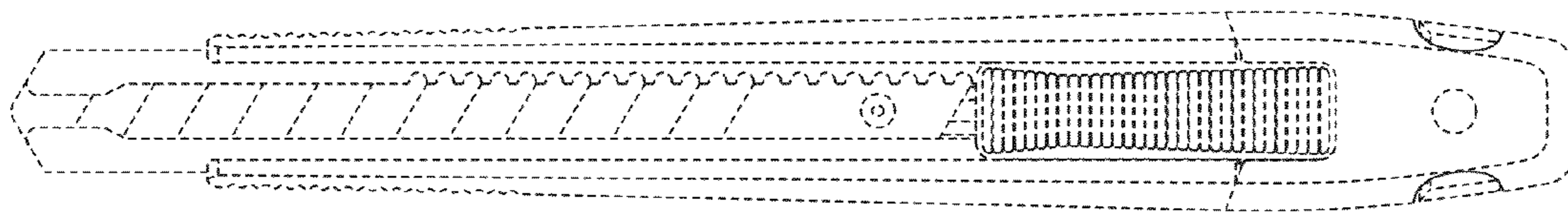


FIG. 3

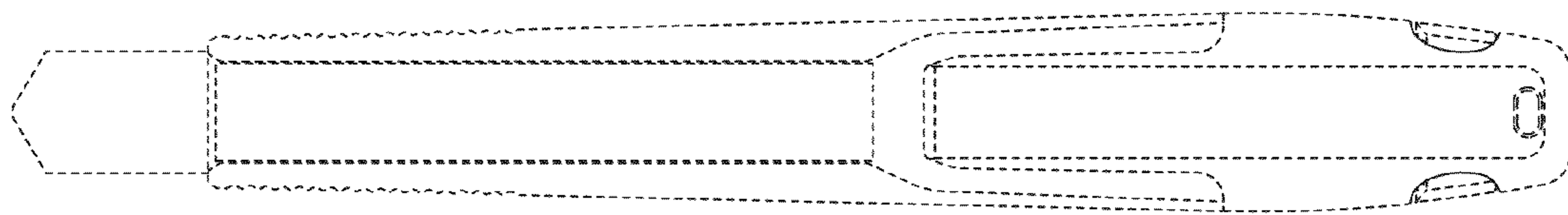


FIG. 4

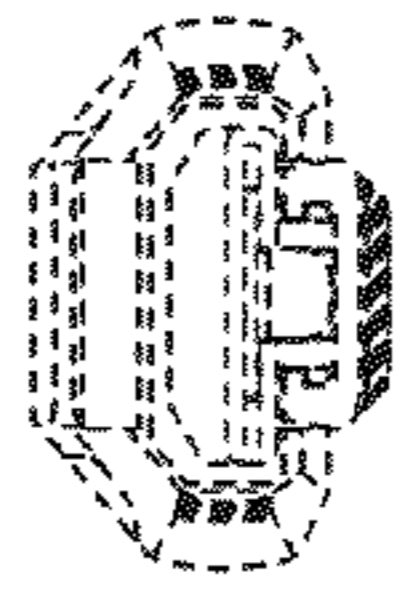


FIG. 5



FIG. 6

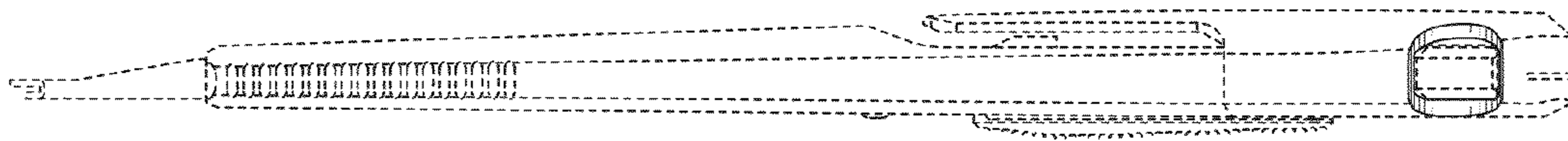


FIG. 7

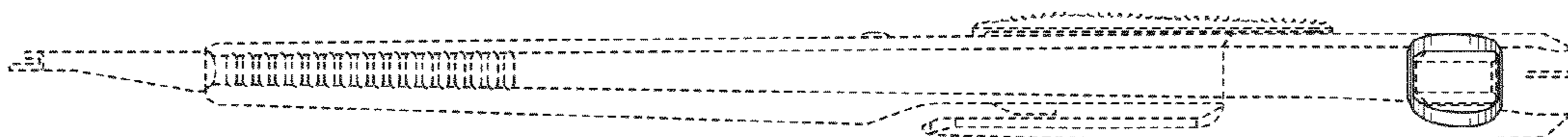


FIG. 8

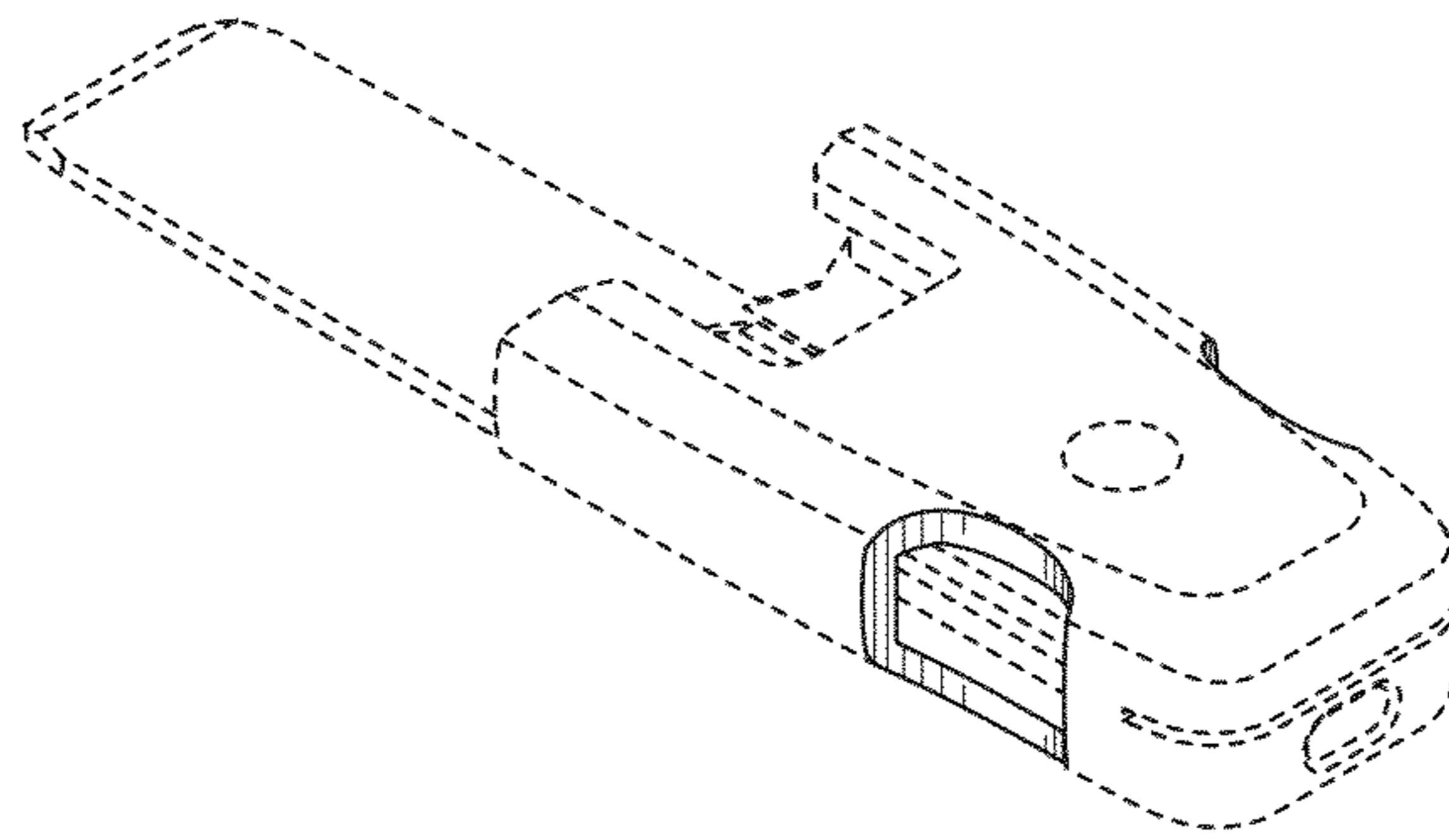


FIG. 9



FIG. 10

