



US00D717146S

(12) **United States Design Patent**
Grossman et al.

(10) **Patent No.:** **US D717,146 S**

(45) **Date of Patent:** **** Nov. 11, 2014**

(54) **CAN OPENER**

(71) Applicant: **Martha Stewart Living Omnimedia, Inc.,** New York, NY (US)

(72) Inventors: **Daniel C. Grossman,** Brooklyn, NY (US); **Benjamin S. Broerman,** Hoboken, NJ (US); **Gianni Zanin,** Brooklyn, NY (US)

(73) Assignee: **Martha Stewart Living Omnimedia, Inc.,** New York, NY (US)

(**) Term: **14 Years**

(21) Appl. No.: **29/475,905**

(22) Filed: **Dec. 9, 2013**

(51) **LOC (10) Cl.** **07-99**

(52) **U.S. Cl.**
USPC **D8/40**

(58) **Field of Classification Search**
USPC D8/18, 33-43, 88, 89, 105, 54, 55, 107,
D8/300-309, DIG. 7; 7/113, 151-156;
81/3.07, 3.09, 3.2, 3.27, 3.29, 3.31,
81/3.35, 3.37, 3.4, 3.48, 3.49, 3.55;
16/406, 422; D19/928

See application file for complete search history.

(56) **References Cited**

U.S. PATENT DOCUMENTS

86,101	A *	1/1869	Reckendorfer	40/335
428,502	A *	5/1890	Maggi	426/576
D87,010	S *	5/1932	Kreutzer	D19/49
D97,555	S *	11/1935	Koerper	D19/42
D112,400	S *	11/1938	Penn	D28/89
D132,773	S *	6/1942	Saulsbury	D19/49
2,364,849	A *	12/1944	Ibbotson et al.	144/346
D178,367	S *	7/1956	Hvale	D8/39

D184,045	S *	12/1958	Edlund	D8/41
D184,699	S *	3/1959	Young	D19/49
D191,046	S *	8/1961	Hvale	D8/39
D211,403	S *	6/1968	Miller	D8/98
4,125,941	A *	11/1978	McKinley	30/427
D266,979	S *	11/1982	Steiner et al.	D8/39
D294,000	S *	2/1988	Friedrich	D8/47
D315,484	S *	3/1991	Glaser	D8/107
D320,076	S *	9/1991	Guthrie	D24/154
D362,379	S *	9/1995	Tekaht	D8/39
D405,219	S *	2/1999	Dal Monte	D27/101
D438,439	S *	3/2001	Compton	D8/26
D453,463	S *	2/2002	Chang	D8/107
D474,083	S *	5/2003	Lo	D8/39
D493,911	S *	8/2004	Somma et al.	D27/101
6,862,776	B2 *	3/2005	Chen	16/113.1
D558,011	S *	12/2007	Bodum	D8/41
D654,950	S *	2/2012	Ryan	D19/36
2014/0075681	A1 *	3/2014	Hammer	7/151

* cited by examiner

Primary Examiner — Elizabeth Albert

(74) *Attorney, Agent, or Firm* — Flaster/Greenberg PC

(57) **CLAIM**

The ornamental design for a can opener, as shown and described.

DESCRIPTION

FIG. 1 is a top front left side perspective view of a can opener showing our new design.

FIG. 2 is a top rear right side perspective view thereof.

FIG. 3 is a left side elevational view thereof.

FIG. 4 is a top plan view thereof.

FIG. 5 is a front elevational view thereof.

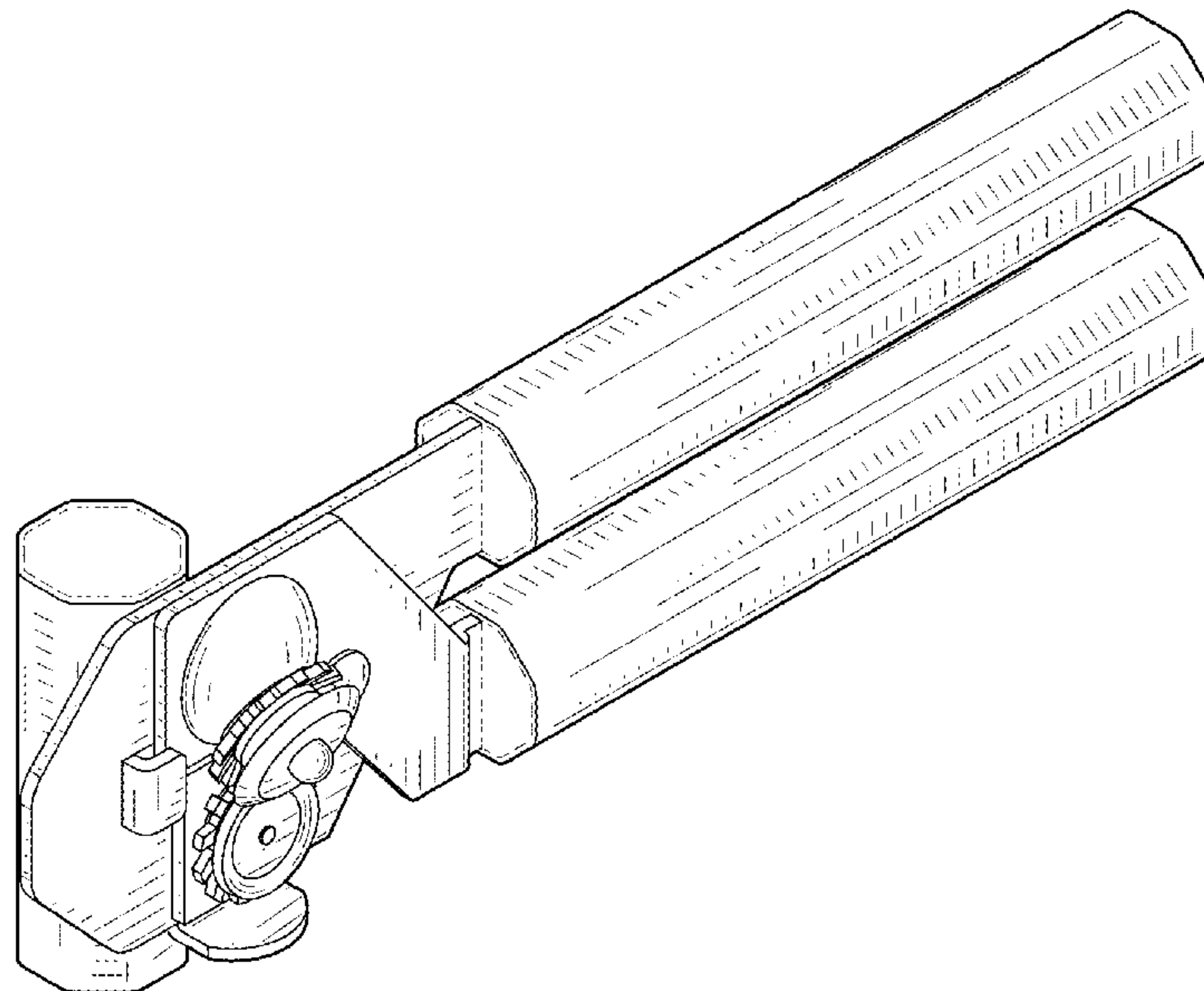
FIG. 6 is a rear elevational view thereof.

FIG. 7 is a bottom plan view thereof; and,

FIG. 8 is a right side elevational view thereof.

The broken lines are included to show portions of the can opener that form no part of the claimed design.

1 Claim, 7 Drawing Sheets



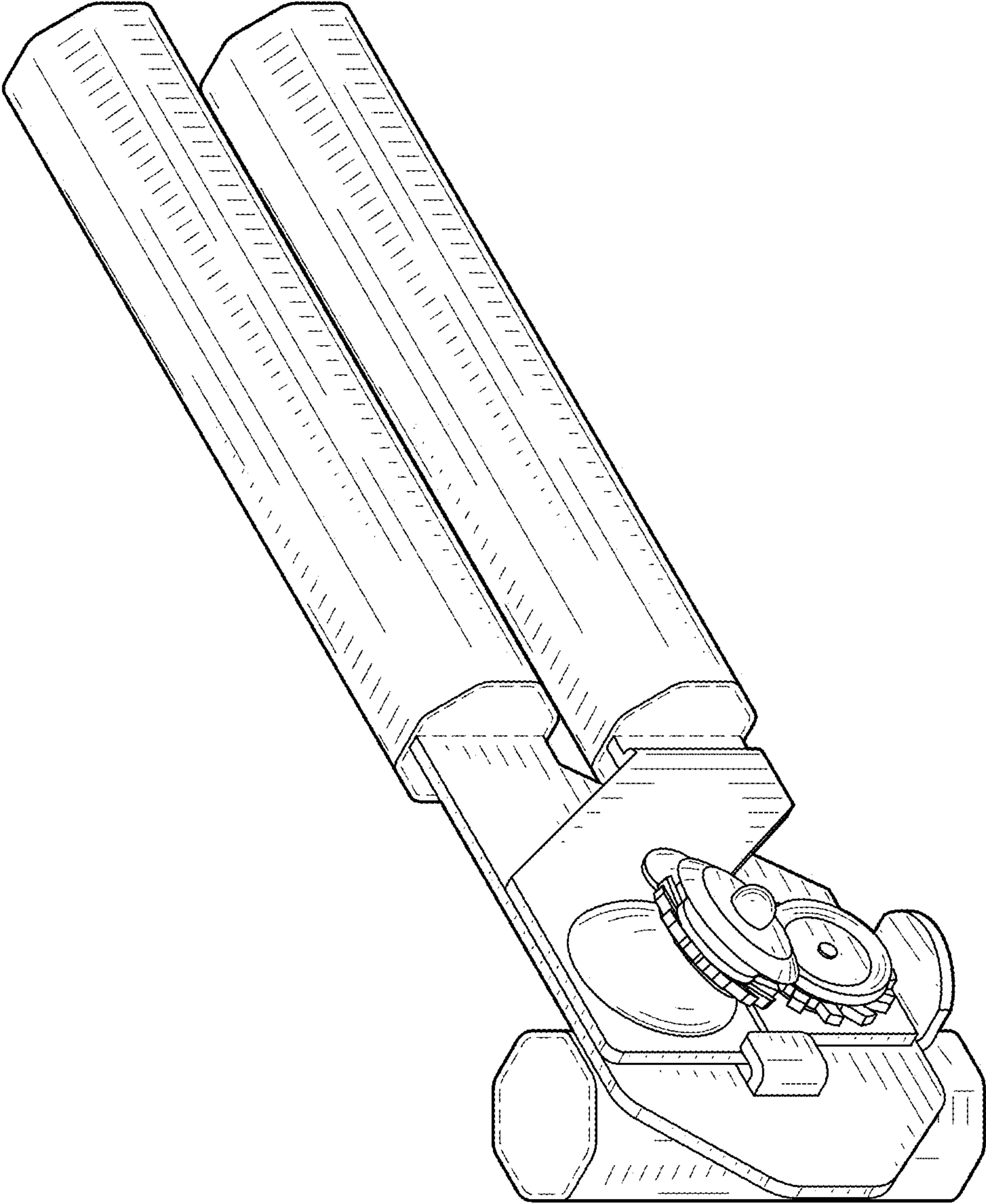


FIG.1

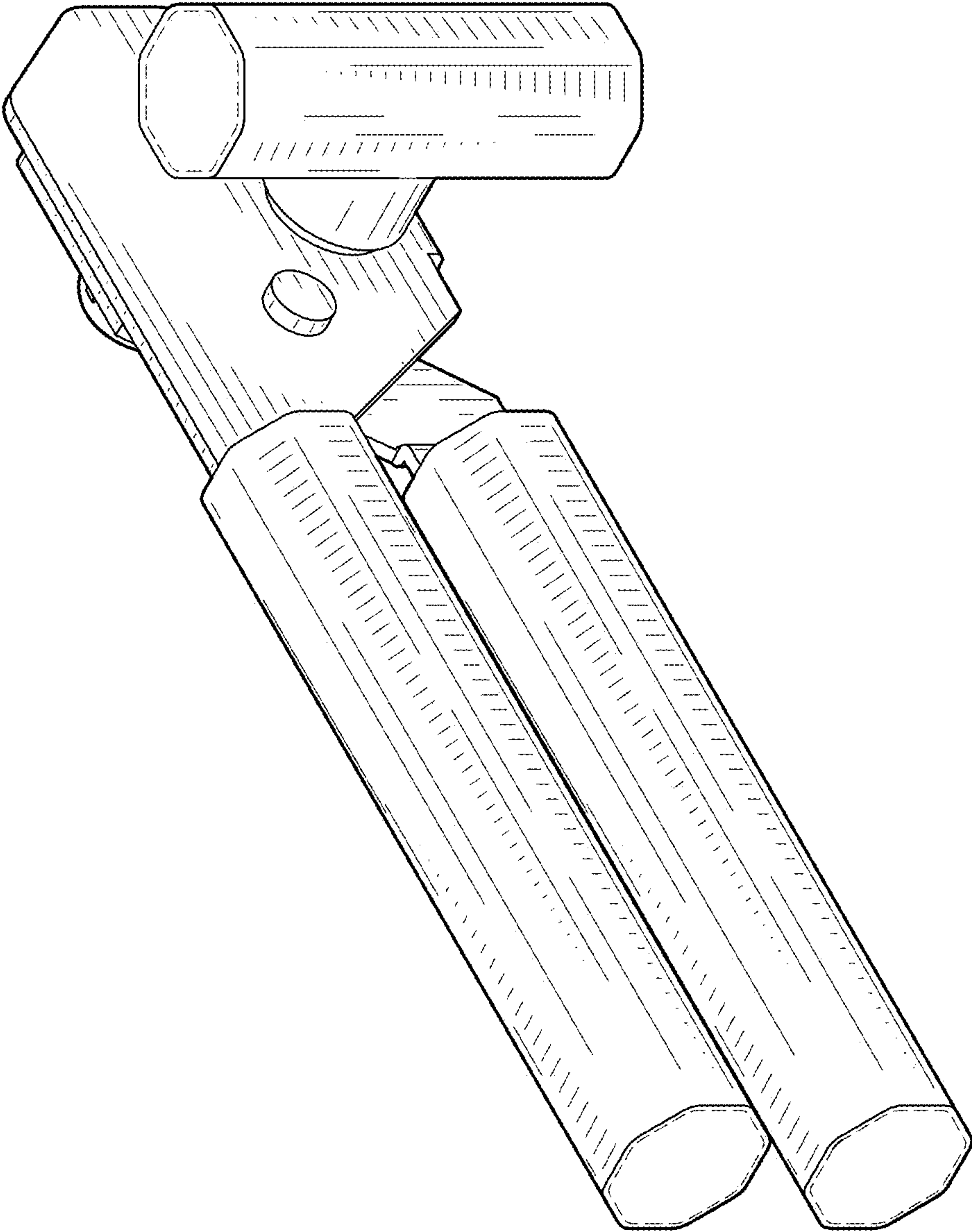


FIG.2

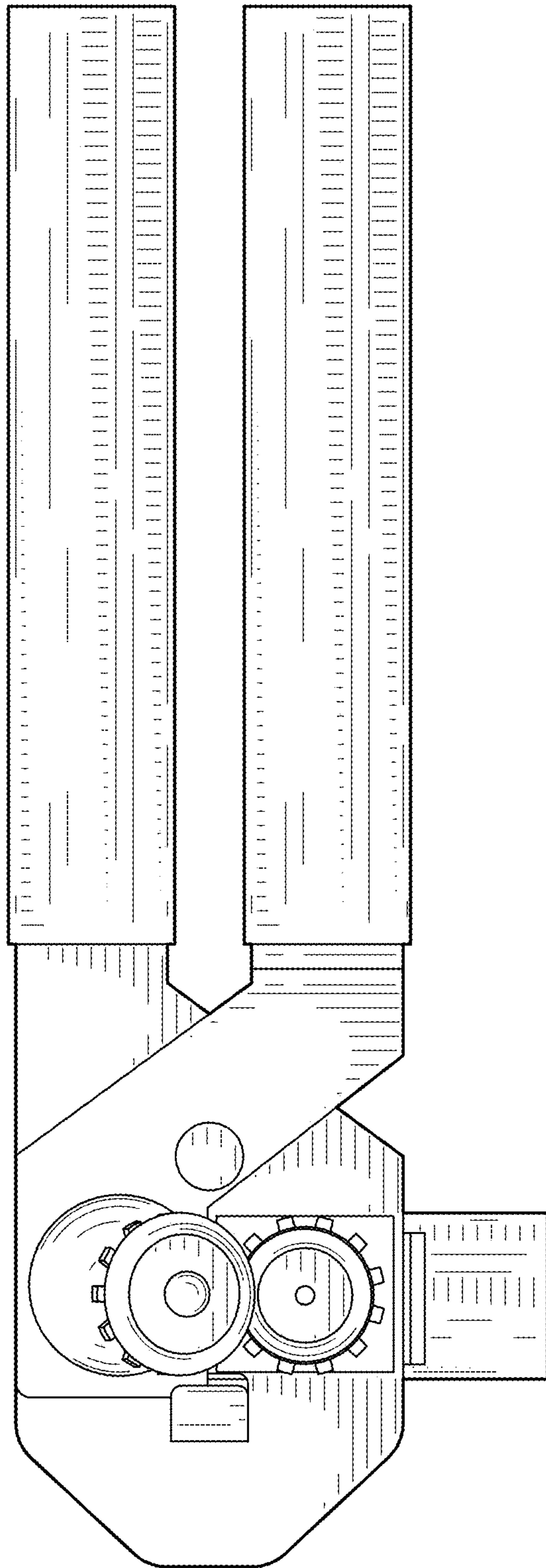


FIG. 3

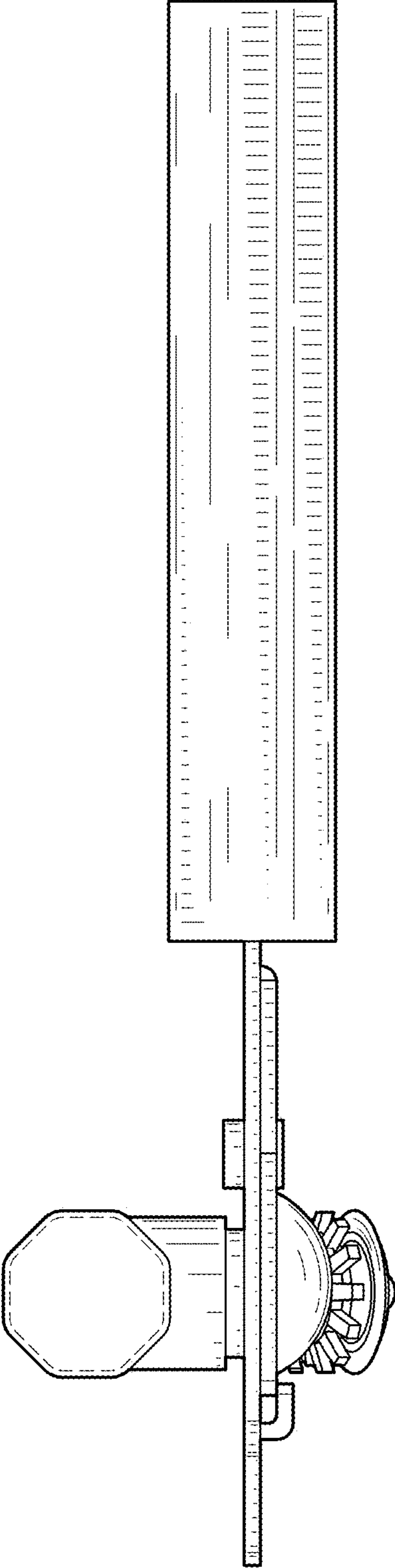


FIG. 4

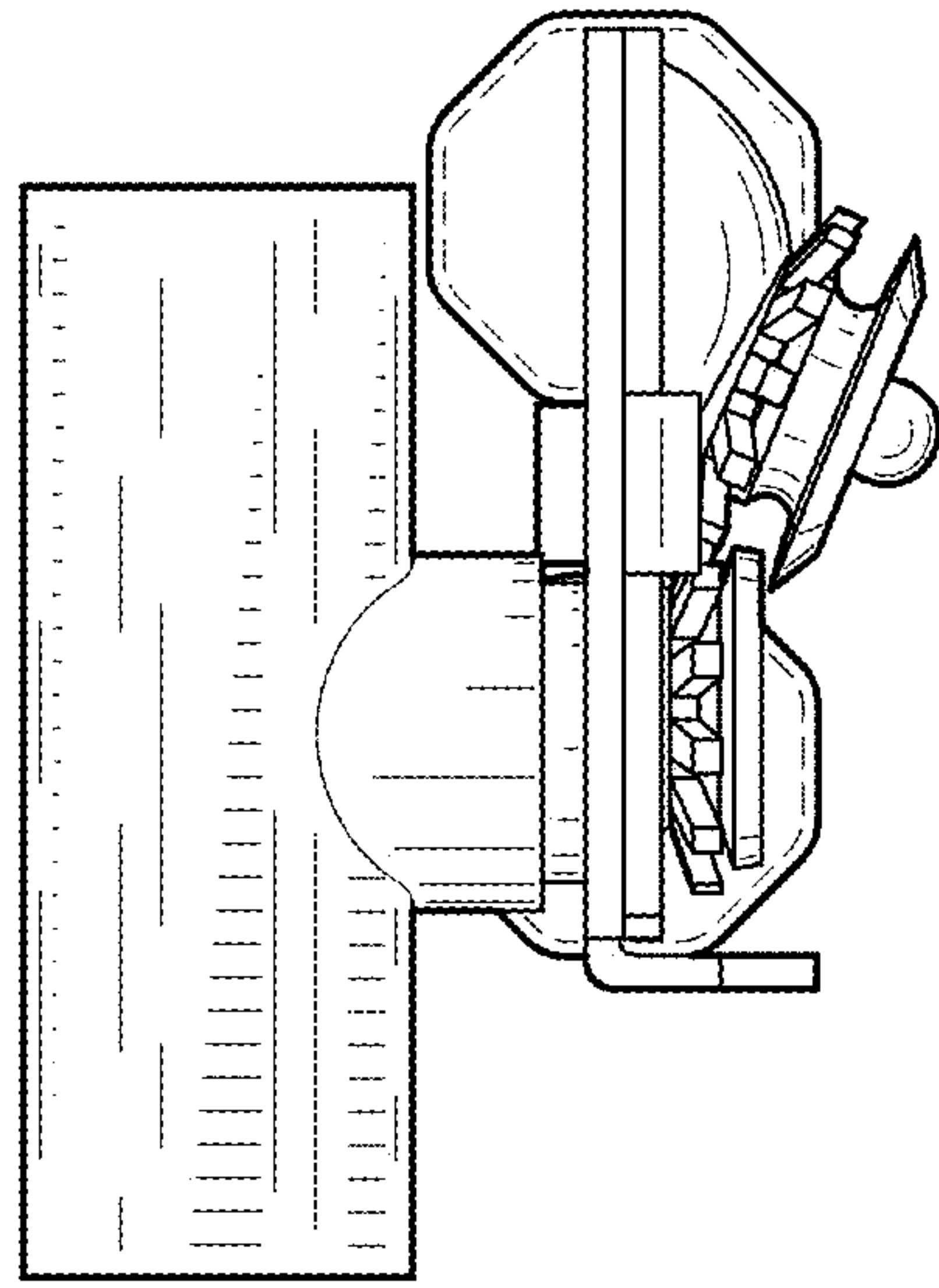


FIG. 5

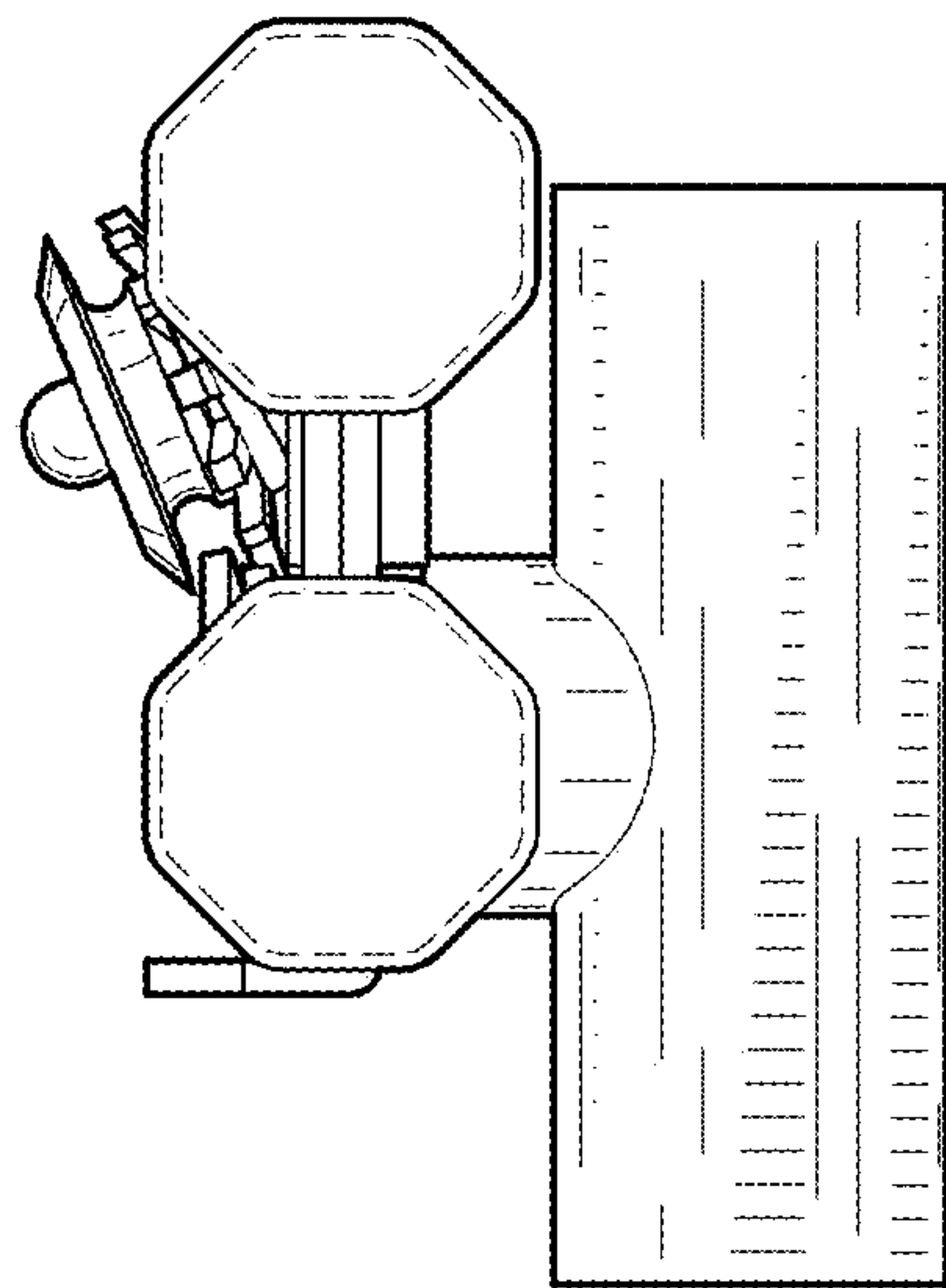


FIG. 6

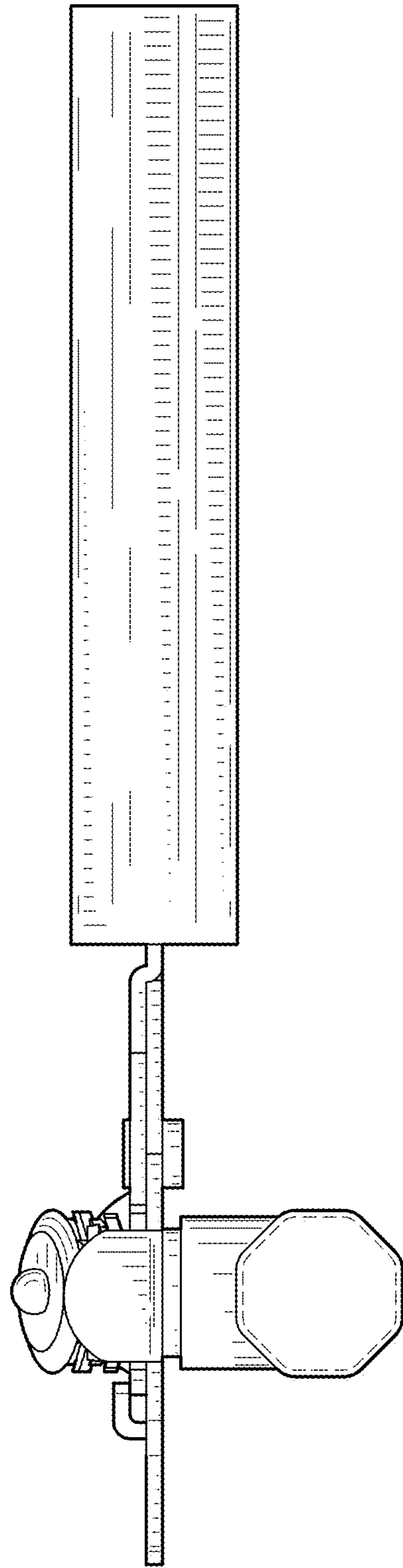


FIG. 7

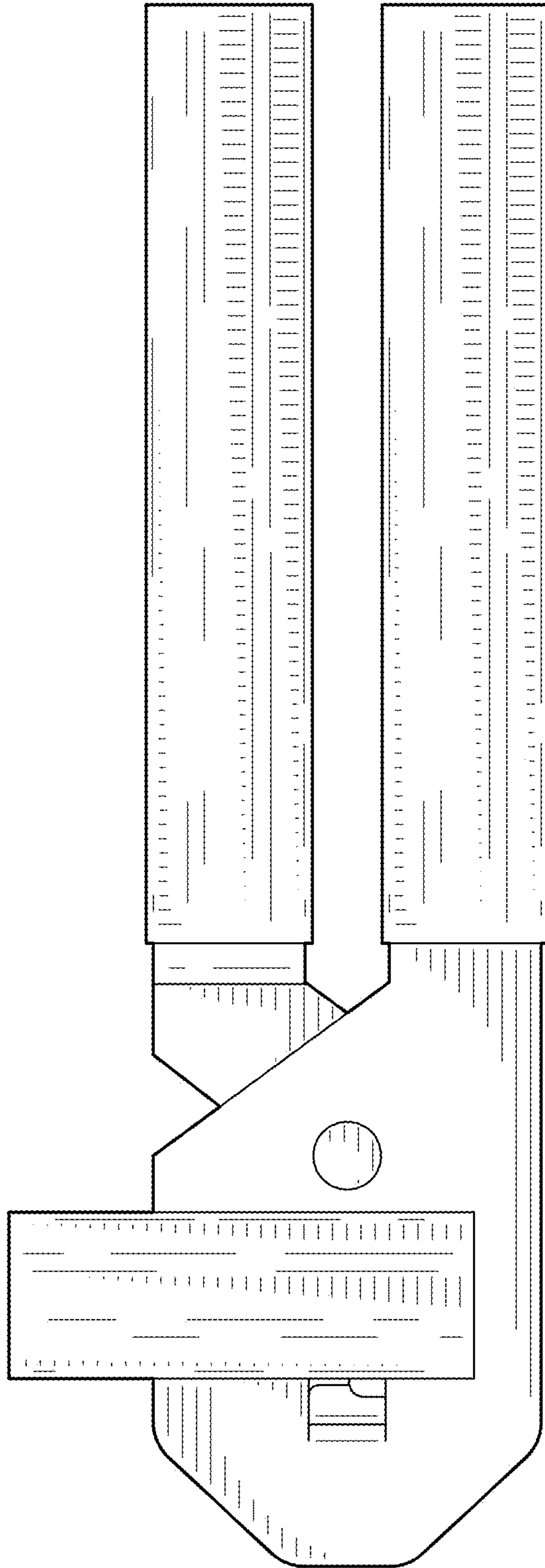


FIG. 8