



US00D717144S

(12) **United States Design Patent**
Macor

(10) **Patent No.:** **US D717,144 S**

(45) **Date of Patent:** **** Nov. 11, 2014**

(54) **WRENCH HANDLE**

Primary Examiner — Randall Gholson

(71) Applicant: **Richard J. Macor**, Hunterdon County, NJ (US)

(57) **CLAIM**
The ornamental design for a wrench handle, as shown and described.

(72) Inventor: **Richard J. Macor**, Hunterdon County, NJ (US)

DESCRIPTION

(73) Assignee: **Proprietary Technologies, Inc.**, Hunterdon County, NJ (US)

FIG. 1 is a top front perspective view of a wrench handle showing my new design;

(**) Term: **14 Years**

FIG. 2 is front elevation view thereof;

(21) Appl. No.: **29/463,697**

FIG. 3 is a rear elevation view thereof;

(22) Filed: **Feb. 8, 2014**

FIG. 4 is a top plan view thereof;

(51) **LOC (10) Cl.** **08-05**

FIG. 5 is a bottom plan view thereof;

(52) **U.S. Cl.**

FIG. 6 is a right side elevation view thereof;

USPC **D8/21**

FIG. 7 is a left side elevation view thereof;

(58) **Field of Classification Search**

FIG. 8 is a top view thereof, attached with an example adjustable wrench head;

USPC D8/25, 60, 97, 107, 21, 82-87, 308, D8/307; 81/177.1, 177.85, 121.1, 124.3, 81/165-170, 110.1, 176.2, 124.6, 176.1, 81/176.15, 177.2, 186; 16/110.1

FIG. 9 is a right side elevation view thereof, attached with the same example adjustable wrench head shown in FIG. 8;

See application file for complete search history.

FIG. 10 is a rear elevation view thereof, attached with the same example adjustable wrench head shown in FIGS. 8 and 9;

(56) **References Cited**

U.S. PATENT DOCUMENTS

D500,440 S *	1/2005	Linares	D8/308
D529,783 S *	10/2006	Corcino	D8/301
D549,545 S *	8/2007	Schneider	D8/308
D594,730 S *	6/2009	Sedwick	D8/308
8,434,390 B2 *	5/2013	Cross et al.	81/63.1
D686,472 S *	7/2013	Chen	D8/25
D691,452 S *	10/2013	Weathersby et al.	D8/302
D694,088 S *	11/2013	Le	D8/308

FIG. 11 is a top view thereof, attached with the same example adjustable wrench head shown in FIGS. 8, 9, and 10, but with the example adjustable wrench head rotated 180 degrees;

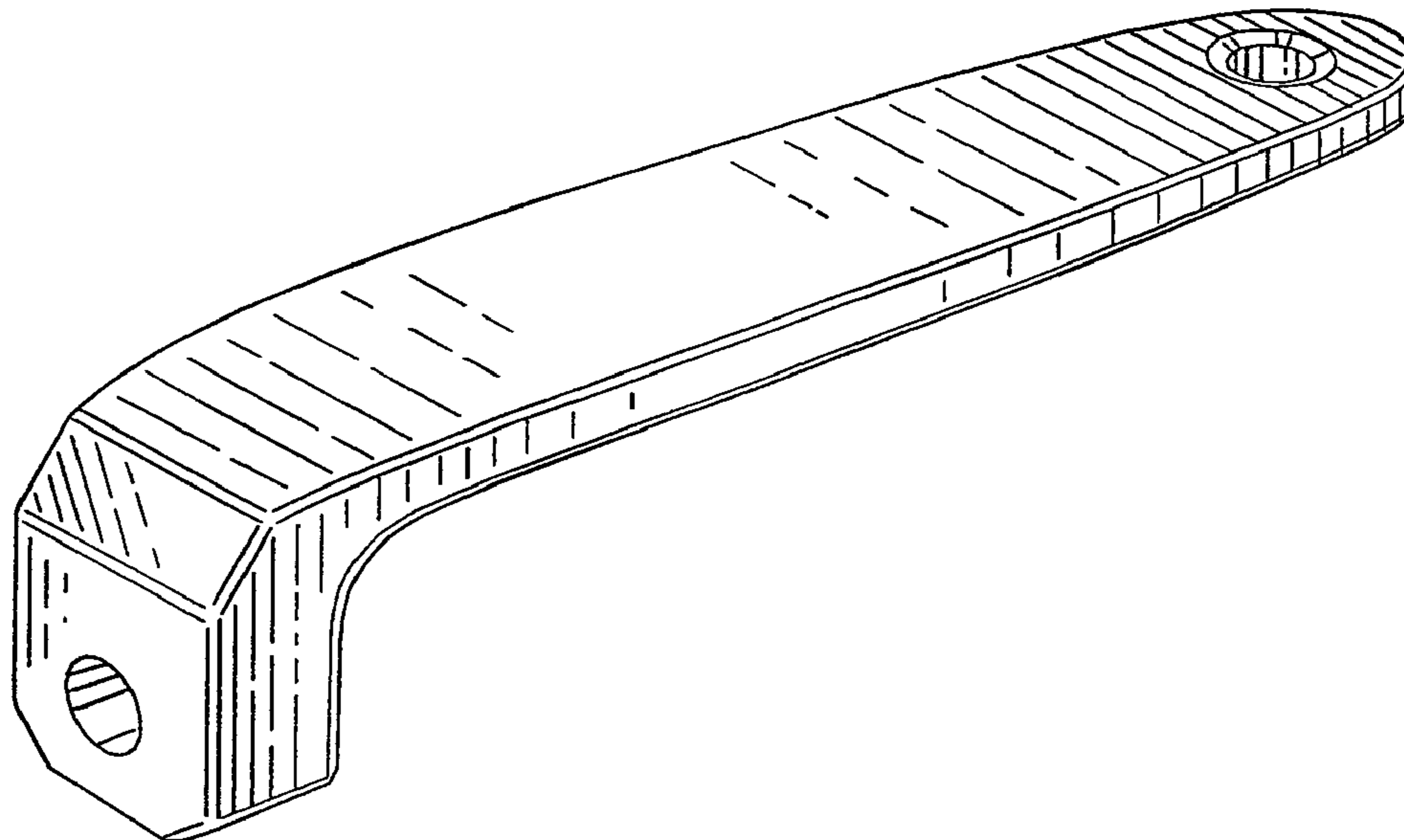
FIG. 12 is a right side elevation view thereof, attached with the same example adjustable wrench head shown in FIGS. 8, 9, and 10, but with the example adjustable wrench head rotated 180 degrees as shown in FIG. 11; and,

FIG. 13 is a rear elevation view thereof, attached with the same example adjustable wrench head shown in FIGS. 8, 9, and 10, but with the example adjustable wrench head rotated 180 degrees as shown in FIGS. 11 and 12.

The broken lines shown in FIGS. 8-13 show unclaimed subject matter only and form no part of the claimed design.

* cited by examiner

1 Claim, 4 Drawing Sheets



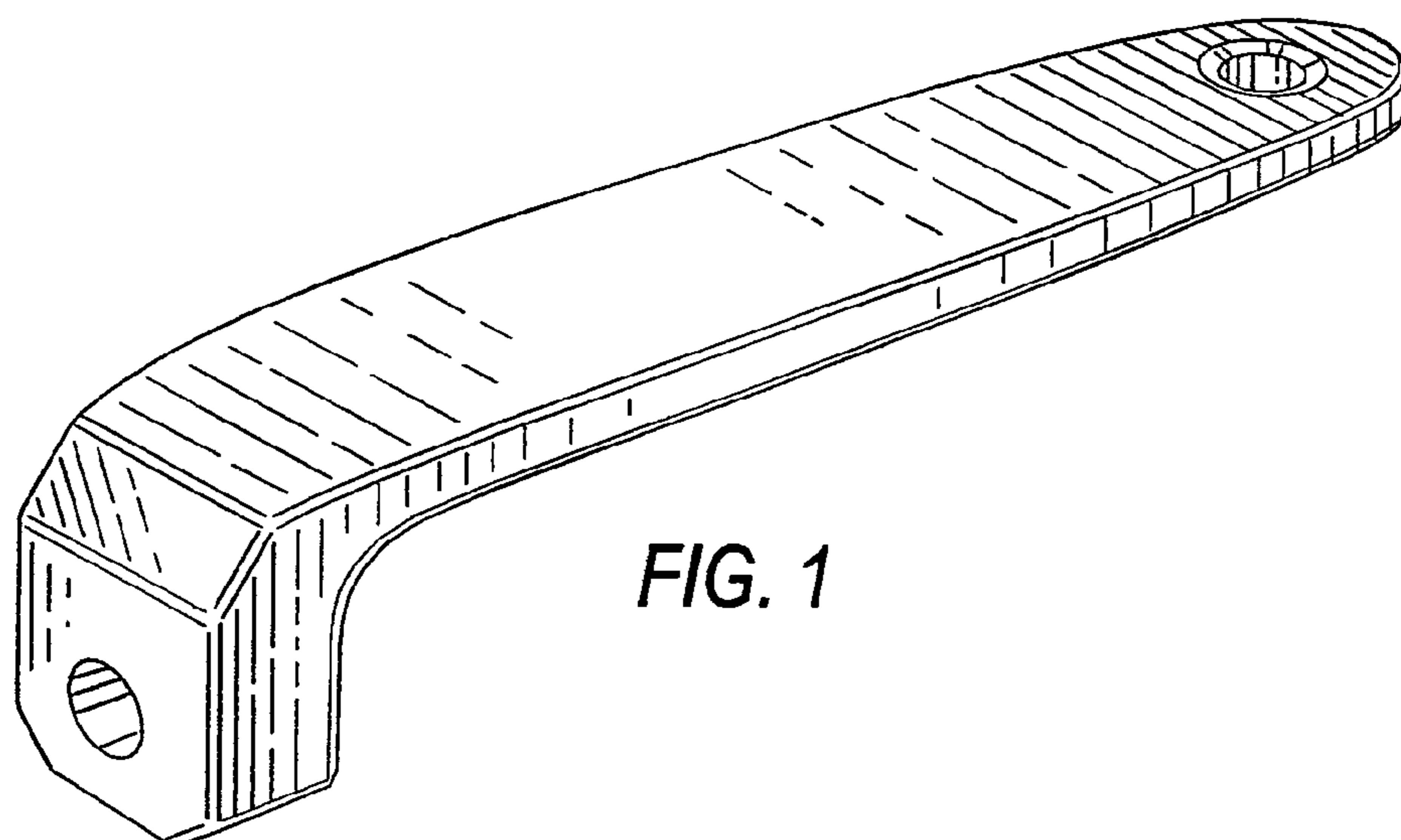


FIG. 1

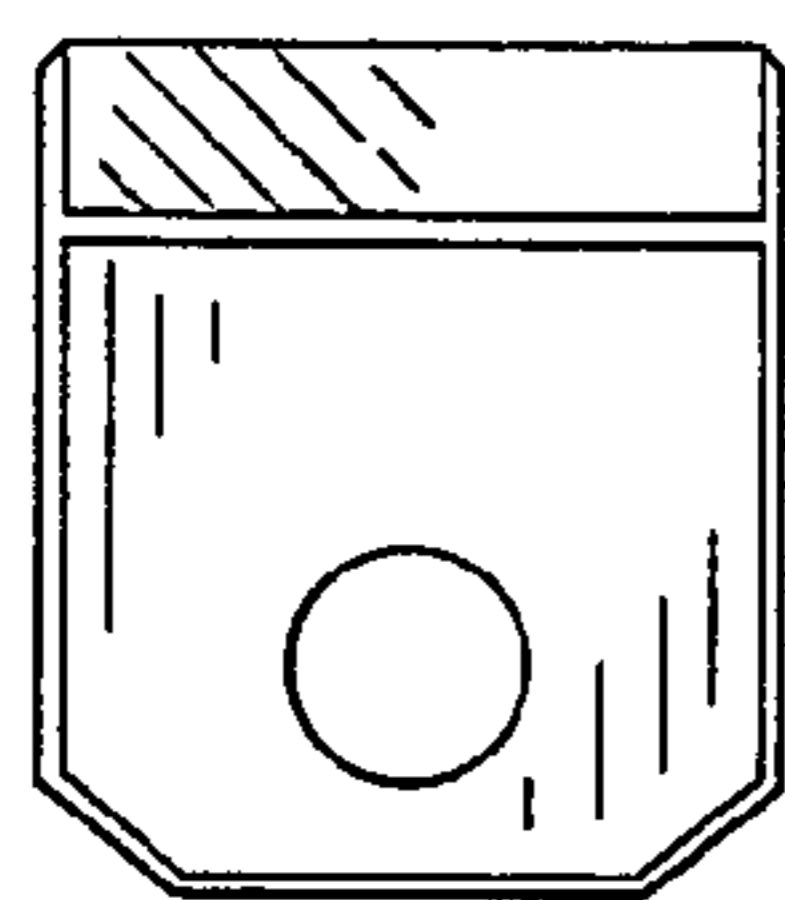


FIG. 2

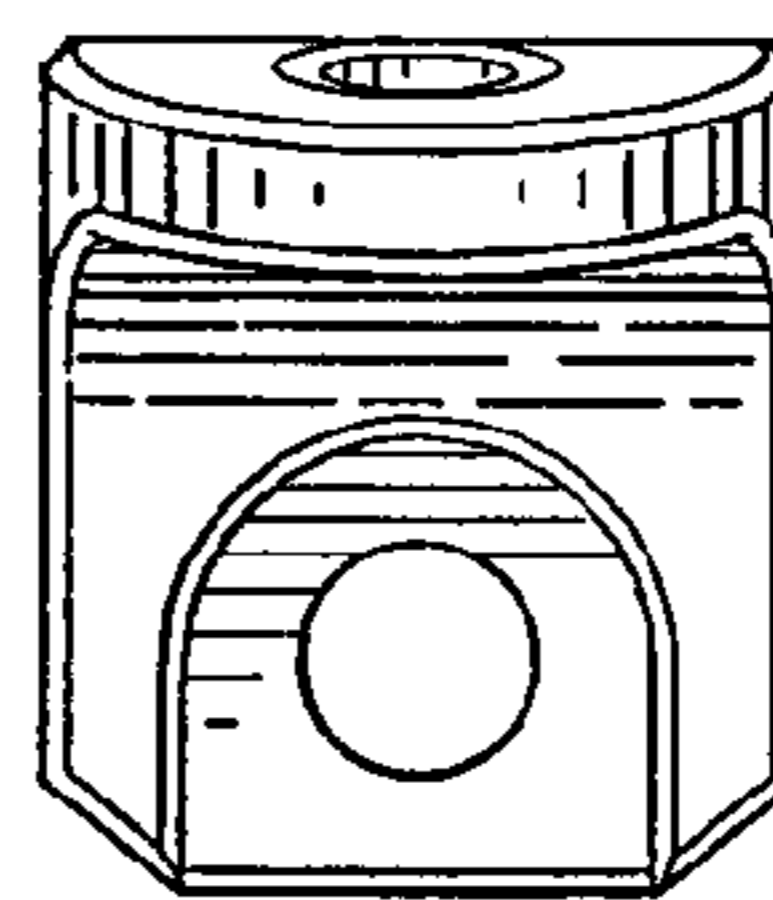


FIG. 3

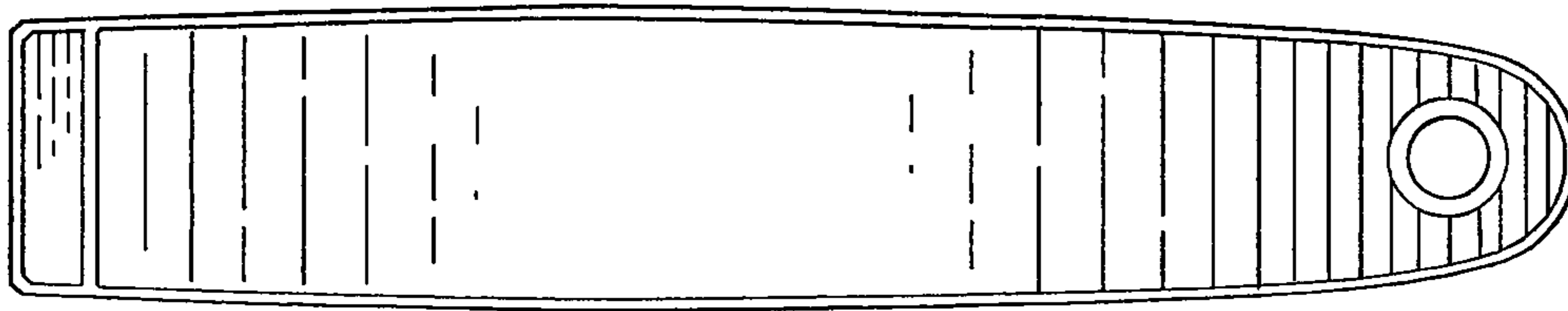


FIG. 4

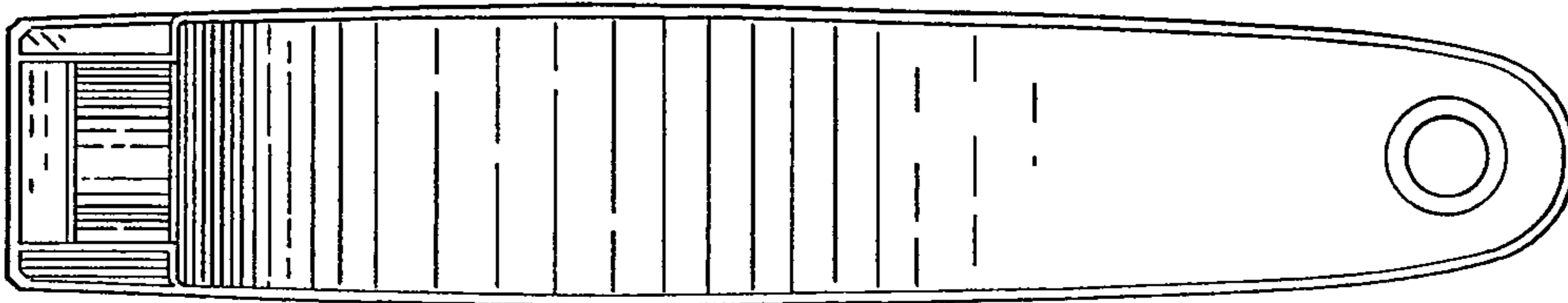


FIG. 5

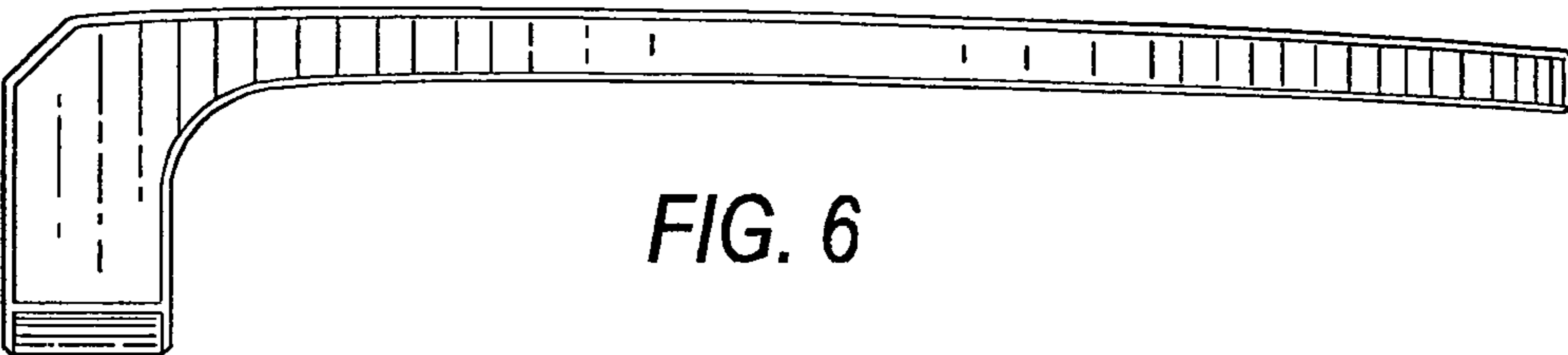


FIG. 6

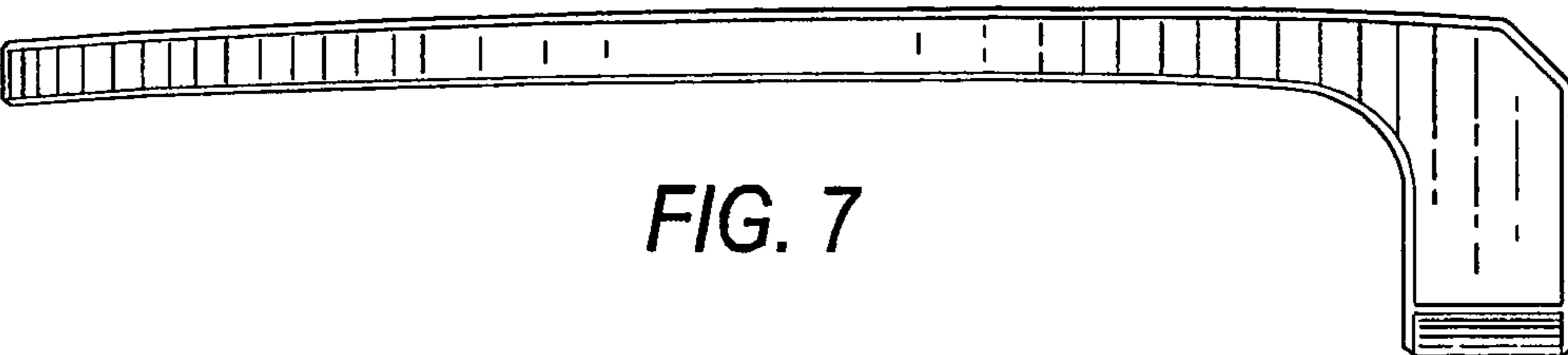


FIG. 7

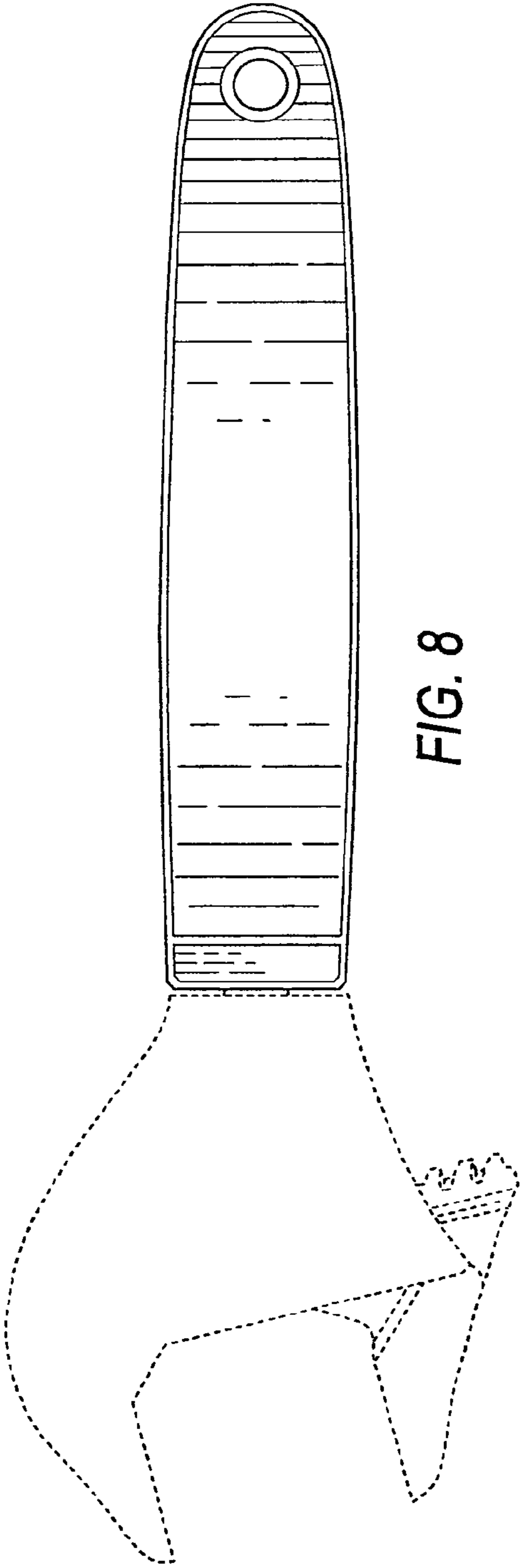


FIG. 8

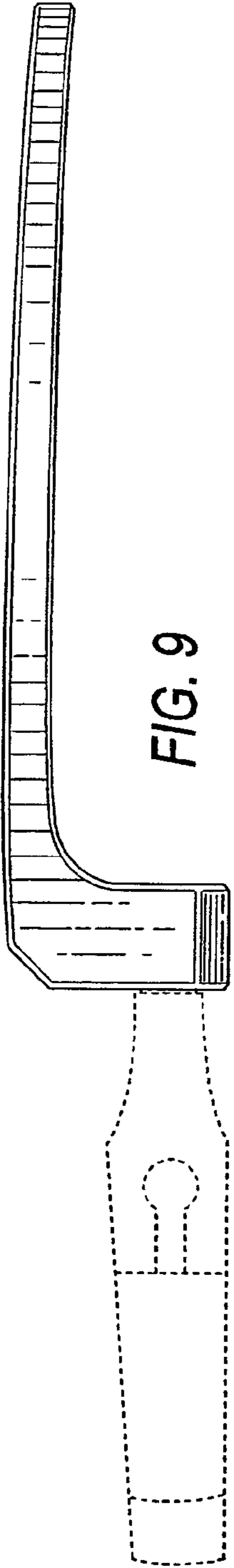


FIG. 9

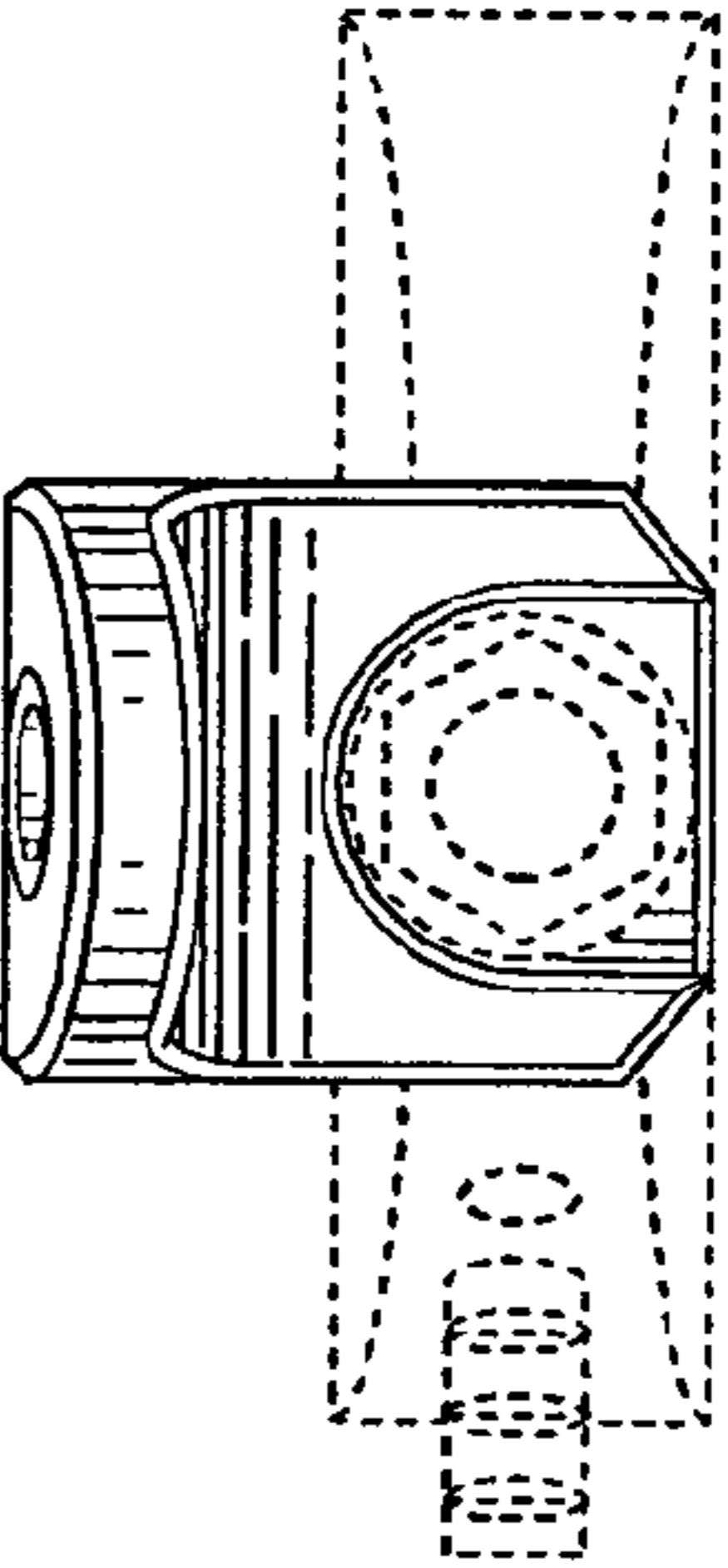


FIG. 10

