



US00D717141S

(12) **United States Design Patent**
Kittelburger

(10) **Patent No.:** **US D717,141 S**

(45) **Date of Patent:** **** Nov. 11, 2014**

- (54) **DRAIN FLANGE REMOVAL AND/OR INSERTION TOOL**
- (71) Applicant: **John Kittelburger**, Haymarket, VA (US)
- (72) Inventor: **John Kittelburger**, Haymarket, VA (US)
- (**) Term: **14 Years**
- (21) Appl. No.: **29/445,521**
- (22) Filed: **Feb. 13, 2013**
- (51) **LOC (10) Cl.** **08-05**
- (52) **U.S. Cl.**
USPC **D8/14**
- (58) **Field of Classification Search**
USPC D8/14, 25, 29, 33, 34, 40, 107, 307,
D8/349, 354, 397; 81/3.4, 3.37, 60, 63.1,
81/63.2, 121.1, 125, 177.5; 285/39; 411/7,
411/60, 138, 260; 362/120
See application file for complete search history.

6,564,679	B1 *	5/2003	Llamas et al.	81/176.15
D513,465	S *	1/2006	Carey	D8/14
D547,625	S *	7/2007	Decuir	D8/27
D548,030	S *	8/2007	Hertel et al.	D8/29
D634,595	S *	3/2011	Tyson	D8/14
D661,561	S *	6/2012	Stinson	D8/29
D680,407	S *	4/2013	Ramslund et al.	D8/307

* cited by examiner

Primary Examiner — Eric Goodman

Assistant Examiner — Jennifer Watkins

(74) *Attorney, Agent, or Firm* — Shawna J. Shaw

(57) **CLAIM**

The ornamental design for a drain flange removal and/or insertion tool, as shown and described.

DESCRIPTION

FIG. 1 is a perspective view of the drain flange removal and/or insertion tool according to my invention.

FIG. 2 is a front view of the drain flange removal and/or insertion tool according to FIG. 1.

FIG. 3 is a side view of the drain flange removal and/or insertion tool according to FIG. 1.

FIG. 4 is a top view of the drain flange removal and/or insertion tool according to FIG. 1; and,

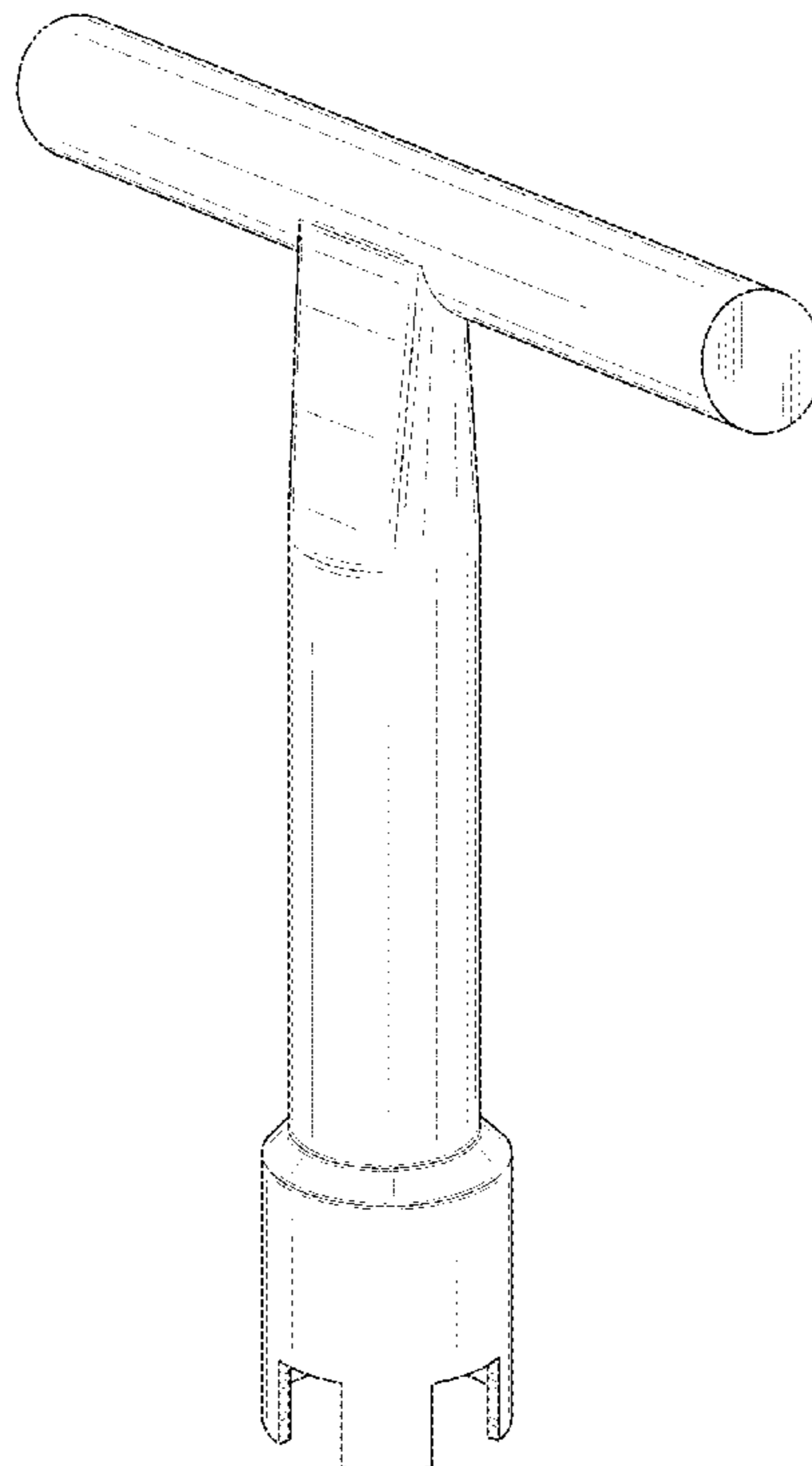
FIG. 5 is a bottom view of the drain flange removal and/or insertion tool according to FIG. 1.

The broken line in the drawing disclosure represents portions of the drain flange removal and/or insertion tool that form no part of the claim design.

1 Claim, 4 Drawing Sheets

(56) **References Cited**
U.S. PATENT DOCUMENTS

4,836,065	A *	6/1989	Setliff	81/124.2
D335,616	S *	5/1993	Schafer	D8/21
D349,024	S *	7/1994	Doffee	D8/14
5,647,253	A *	7/1997	Pozek	81/125
D385,285	S *	10/1997	Brown	D15/5
6,101,904	A *	8/2000	Freitas	81/121.1
6,260,450	B1 *	7/2001	Ragsdale et al.	81/121.1
6,279,434	B1 *	8/2001	Brown	81/437



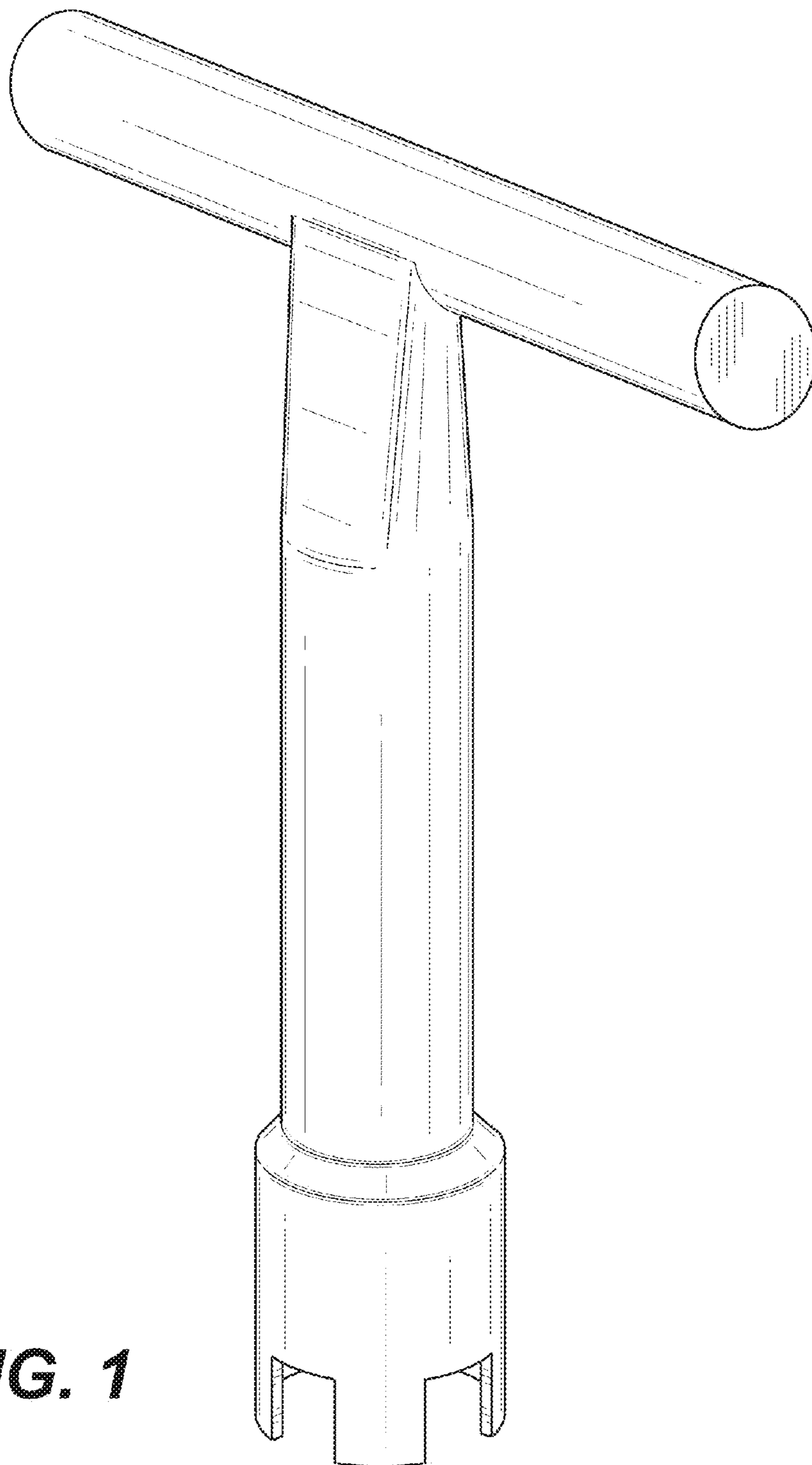


FIG. 1

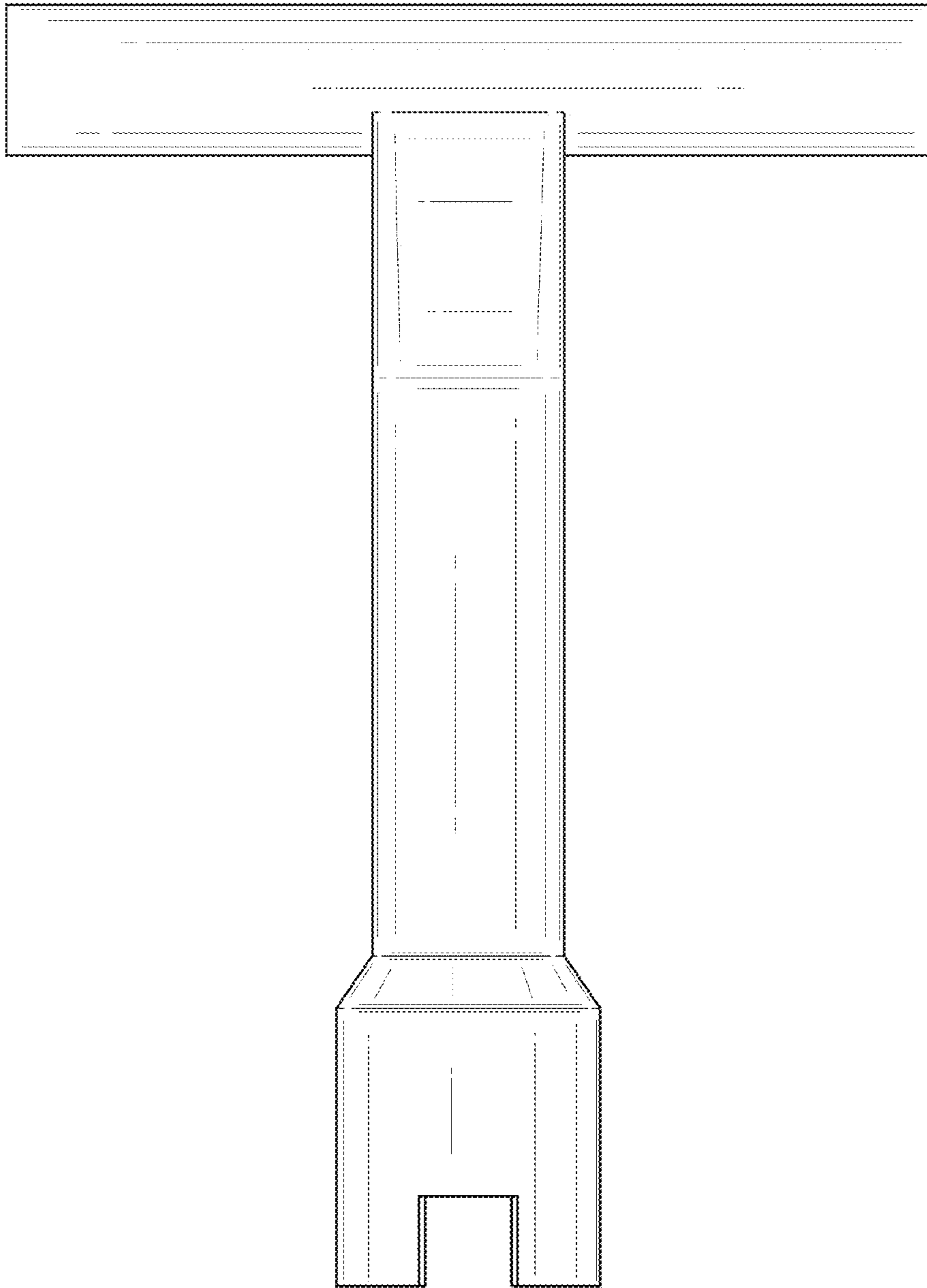


FIG. 2

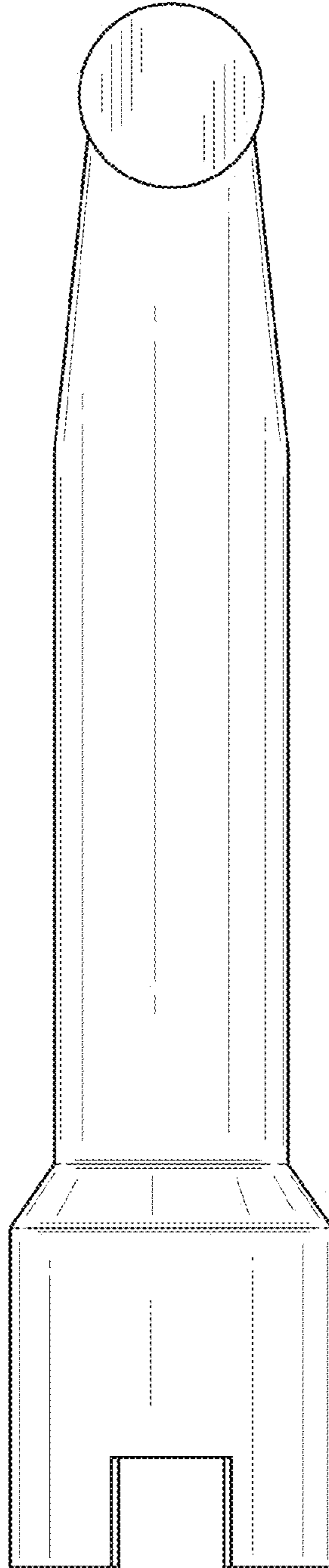


FIG. 3

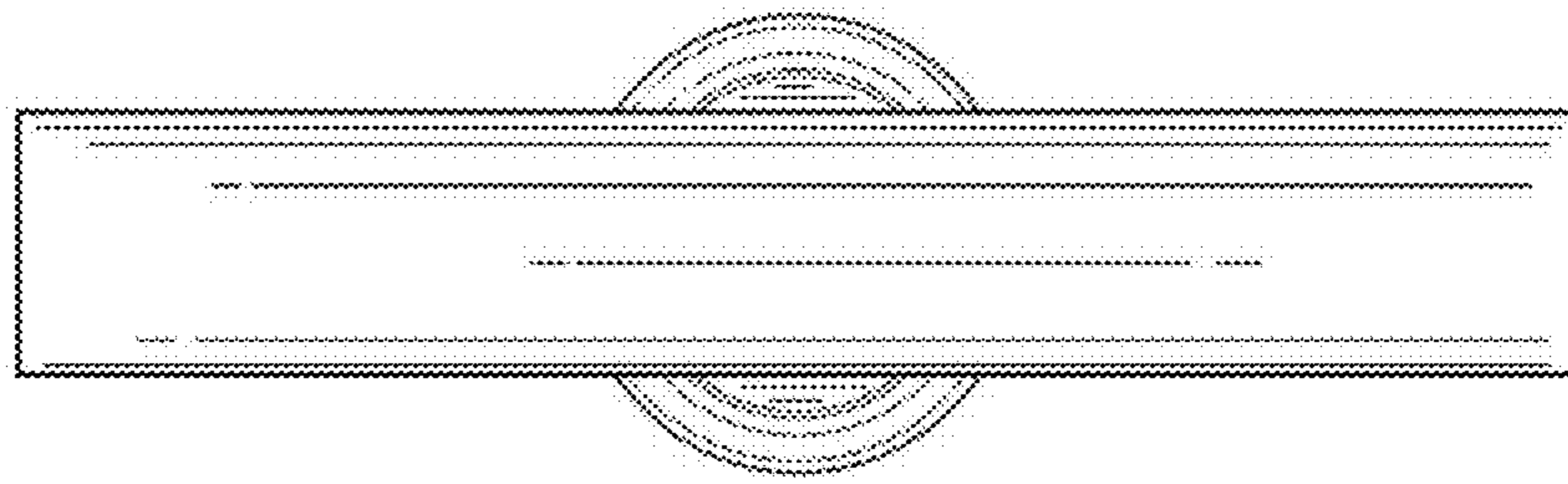


FIG. 4

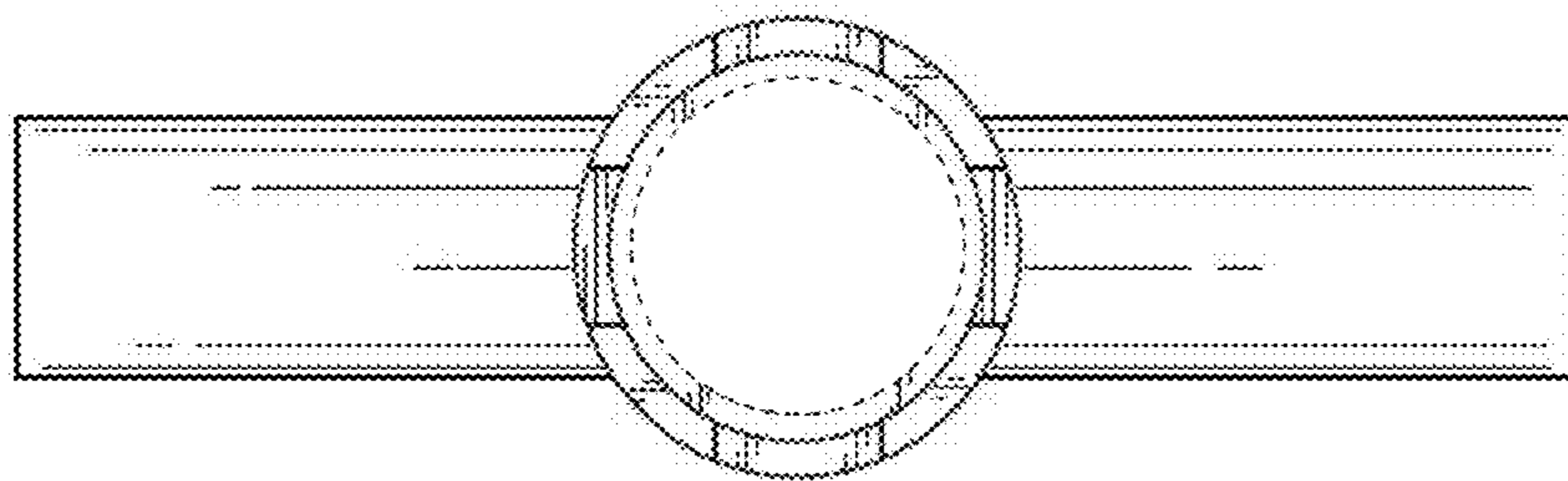


FIG. 5

UNITED STATES PATENT AND TRADEMARK OFFICE
CERTIFICATE OF CORRECTION

PATENT NO. : D717,141 S
APPLICATION NO. : 29/445521
DATED : November 11, 2014
INVENTOR(S) : John Kittelberger

Page 1 of 1

It is certified that error appears in the above-identified patent and that said Letters Patent is hereby corrected as shown below:

On the title page, item (71) Applicant, and item (12) and (72) Inventor sections of the patent,
“Kittelburger” should be changed to --Kittelberger--

Signed and Sealed this
Twenty-fourth Day of February, 2015



Michelle K. Lee
Deputy Director of the United States Patent and Trademark Office