



US00D717140S

(12) **United States Design Patent**
Schutte et al.

(10) **Patent No.:** **US D717,140 S**

(45) **Date of Patent:** **** Nov. 11, 2014**

(54) **PLUMBING TOOL**

(75) Inventors: **Joseph P. Schutte**, Westland, MI (US);
Robert O. Learmont, Howell, MI (US)

(73) Assignee: **BrassCraft Manufacturing Company**,
Novi, MI (US)

(**) Term: **14 Years**

(21) Appl. No.: **29/426,853**

(22) Filed: **Jul. 11, 2012**

(51) **LOC (10) Cl.** **08-05**

(52) **U.S. Cl.**
USPC **D8/14**

(58) **Field of Classification Search**
CPC B25B 13/08; B25B 13/463; B25B 13/04;
B67D 7/50; F16L 37/0987; F16L 2201/10
USPC D8/14, 28, 33, 34, 52, 354; 29/235,
29/237, 239

See application file for complete search history.

(56) **References Cited**

U.S. PATENT DOCUMENTS

D239,592 S *	4/1976	Anderson et al.	D8/354
D299,112 S *	12/1988	Downey	D8/354
D306,233 S *	2/1990	Smith	D3/208
D370,841 S *	6/1996	Gola	D8/354
D378,047 S *	2/1997	Chudoba	D8/354

D398,819 S *	9/1998	Kondou	D8/14
6,588,306 B1 *	7/2003	Grossman et al.	81/467
D513,965 S *	1/2006	Bonnell	D8/354
D533,037 S *	12/2006	Wu	D8/14
D542,105 S *	5/2007	Grether	D8/28
D600,083 S *	9/2009	Kerce	D8/28
D619,444 S *	7/2010	Oyegoke	D8/349
D673,435 S *	1/2013	Minton	D8/28
D682,643 S *	5/2013	Yang	D8/28
D694,611 S *	12/2013	Yoakum	D8/349
2003/0221518 A1 *	12/2003	Buettner	81/3.4

* cited by examiner

Primary Examiner — Eric Goodman

Assistant Examiner — Jennifer Watkins

(74) *Attorney, Agent, or Firm* — Kirk W. Rudolph

(57) **CLAIM**

The ornamental design for a plumbing tool, as shown and described.

DESCRIPTION

FIG. 1 is a perspective view of a plumbing tool showing my new design;

FIG. 2 is a rear perspective view thereof;

FIG. 3 is a first end view thereof;

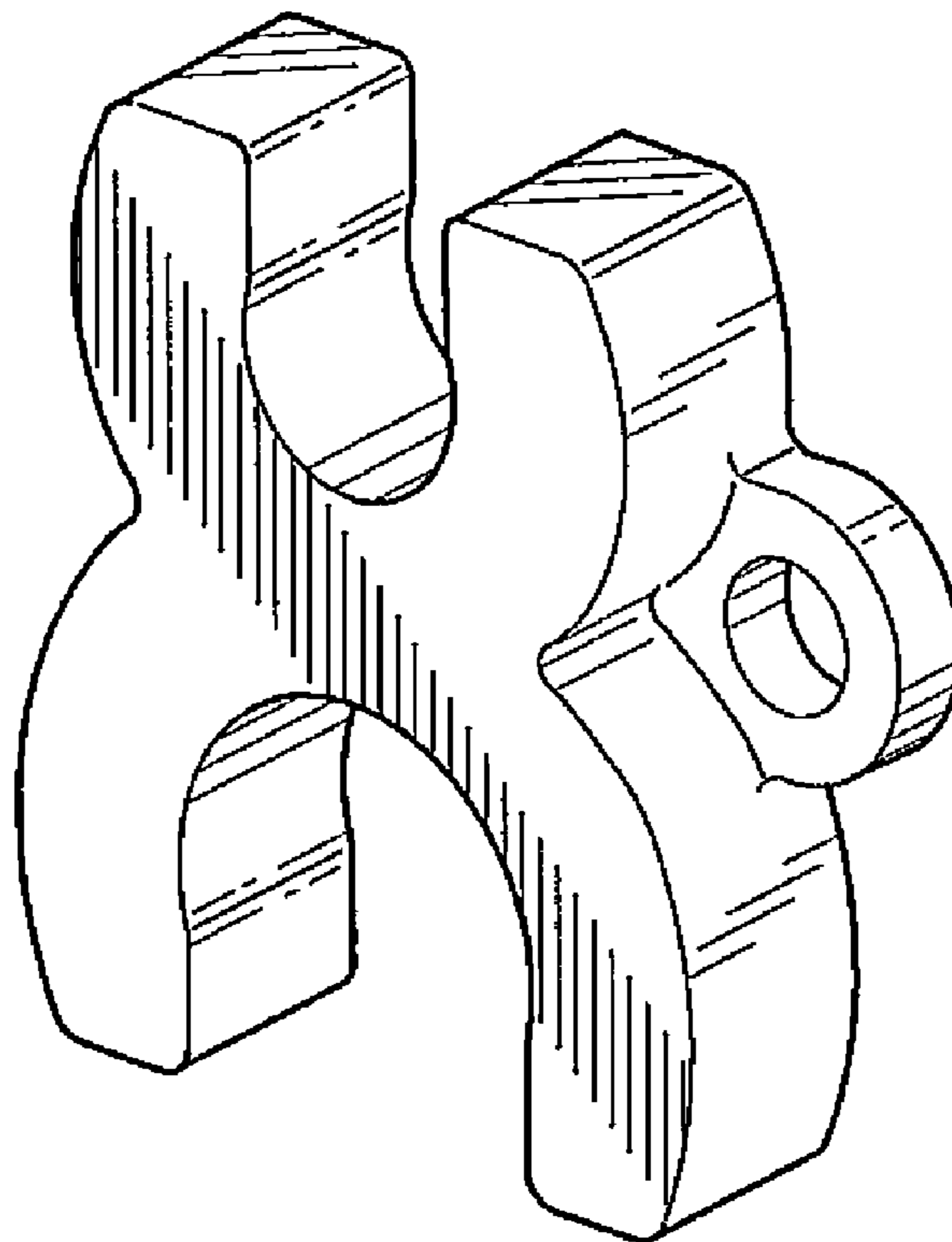
FIG. 4 is a front elevational view thereof;

FIG. 5 is a side view thereof;

FIG. 6 is a rear view thereof; and,

FIG. 7 is a second view thereof.

1 Claim, 1 Drawing Sheet



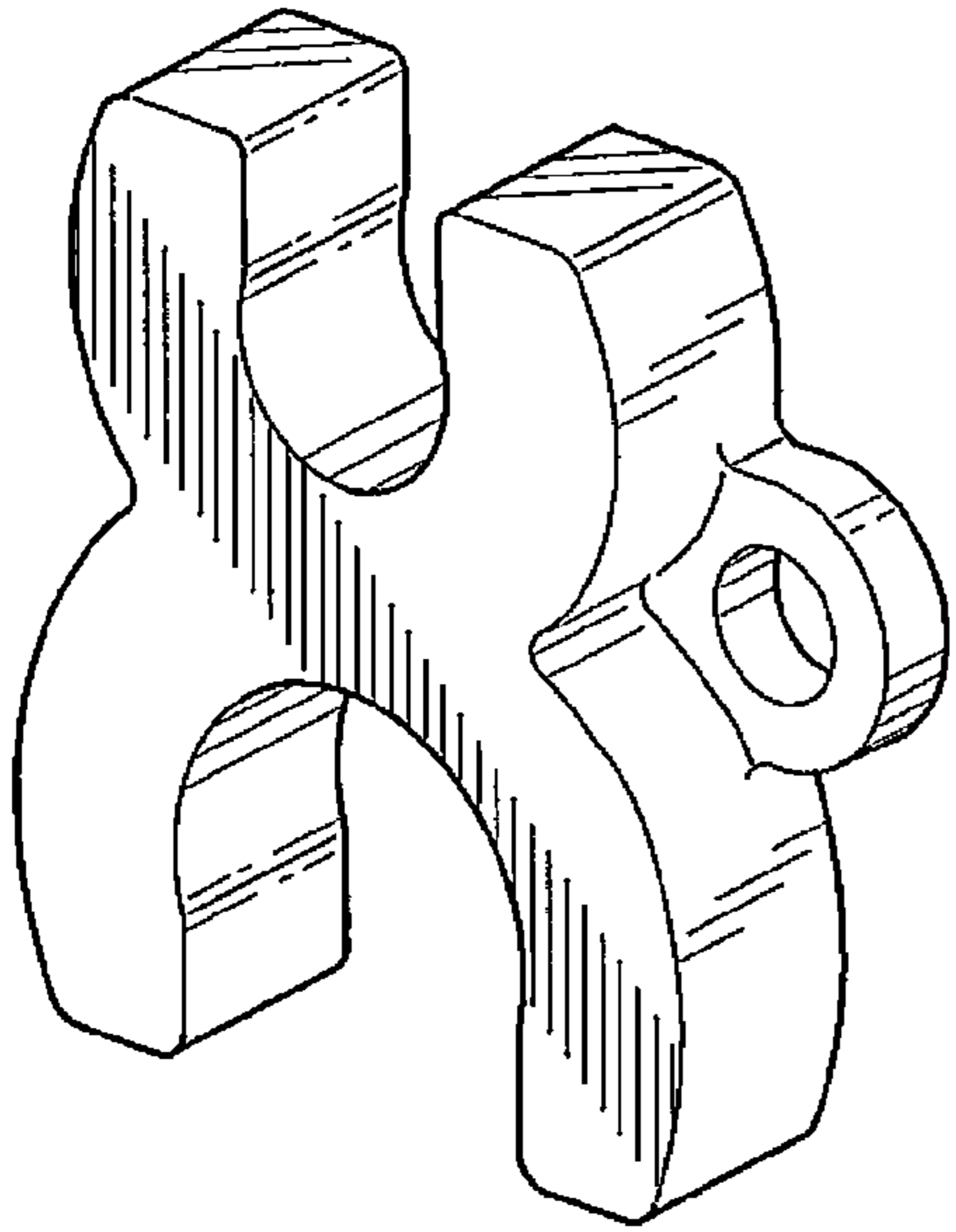


Fig-1

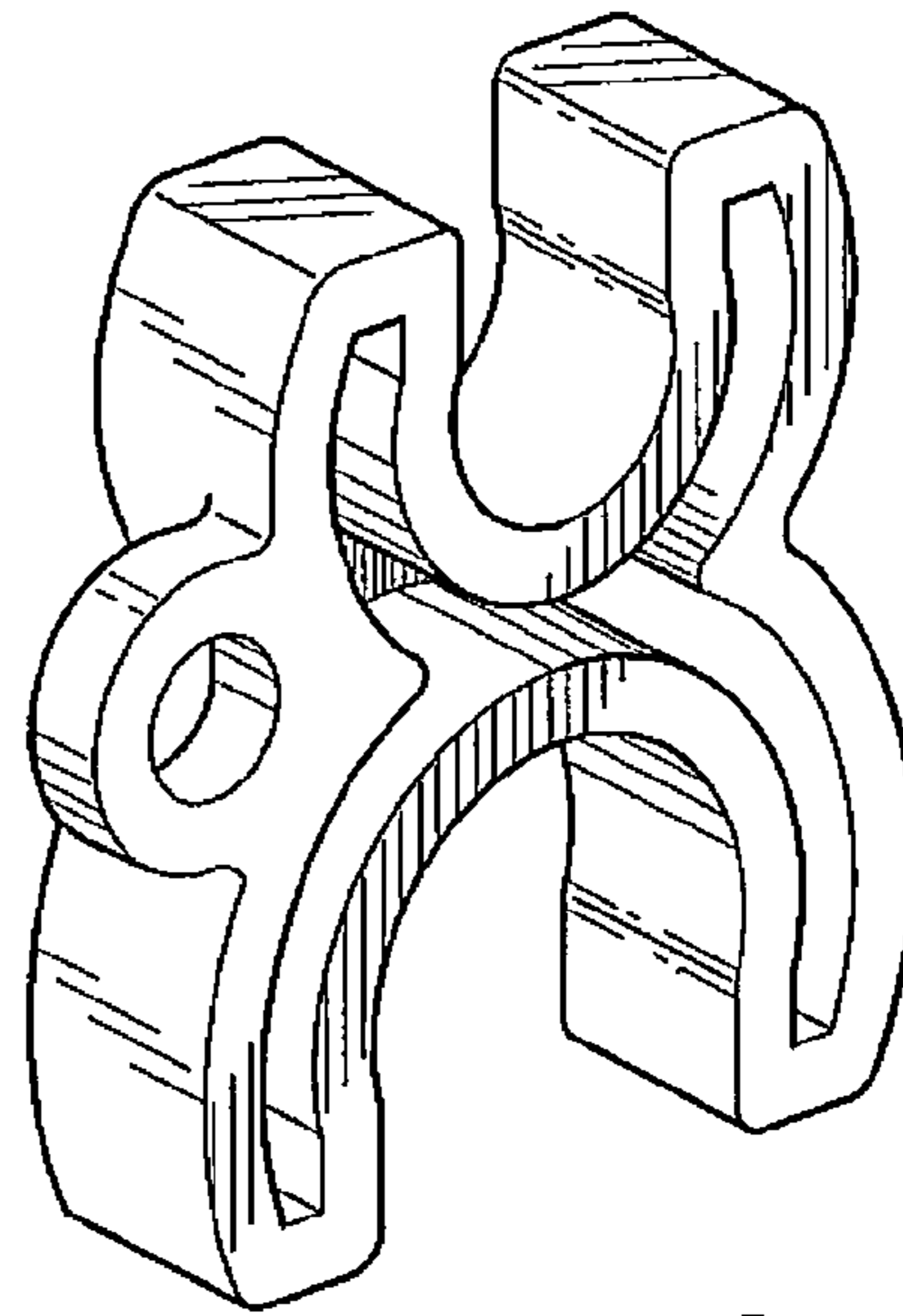


Fig-2

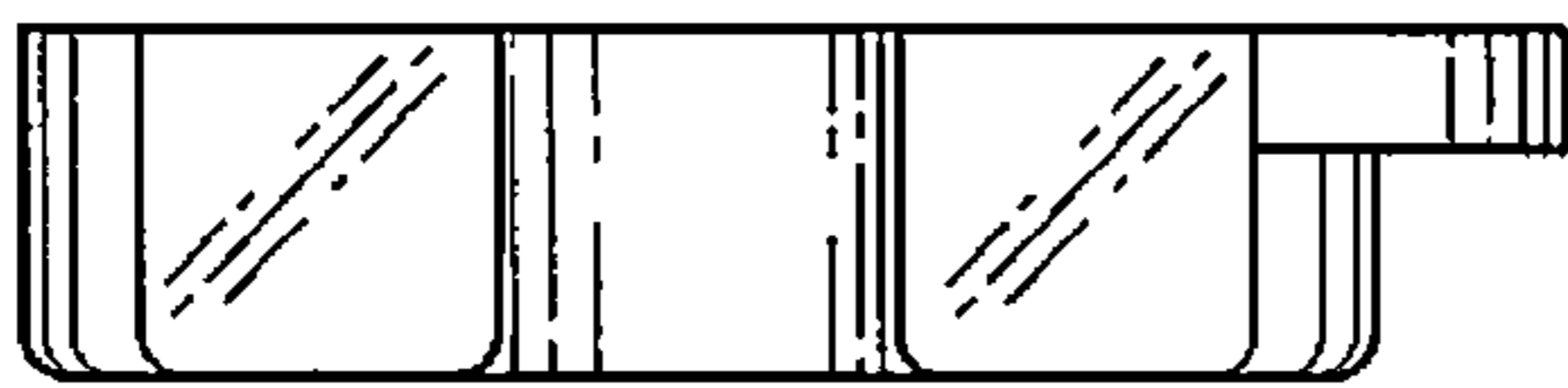


Fig-3

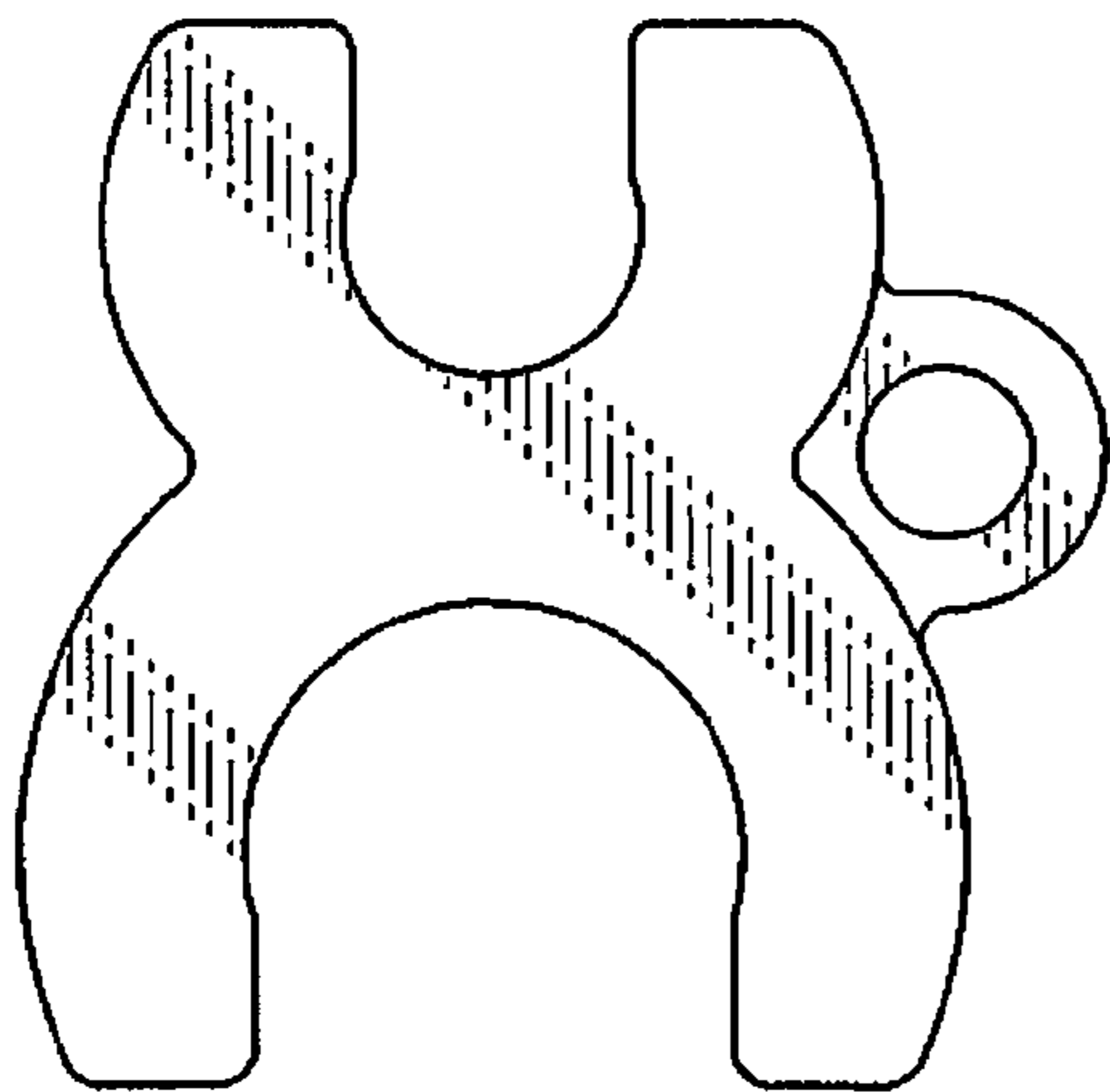


Fig-4

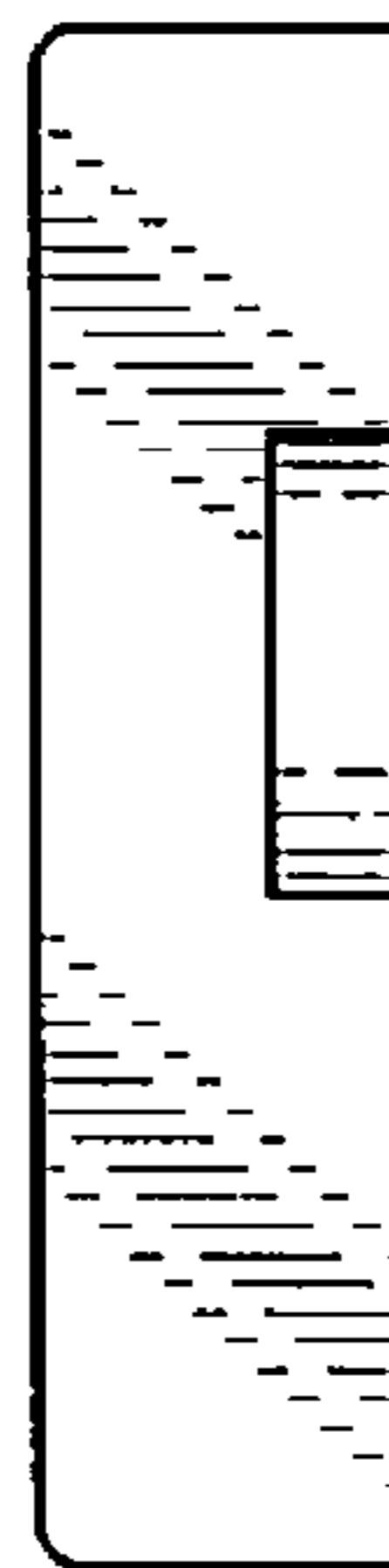


Fig-5

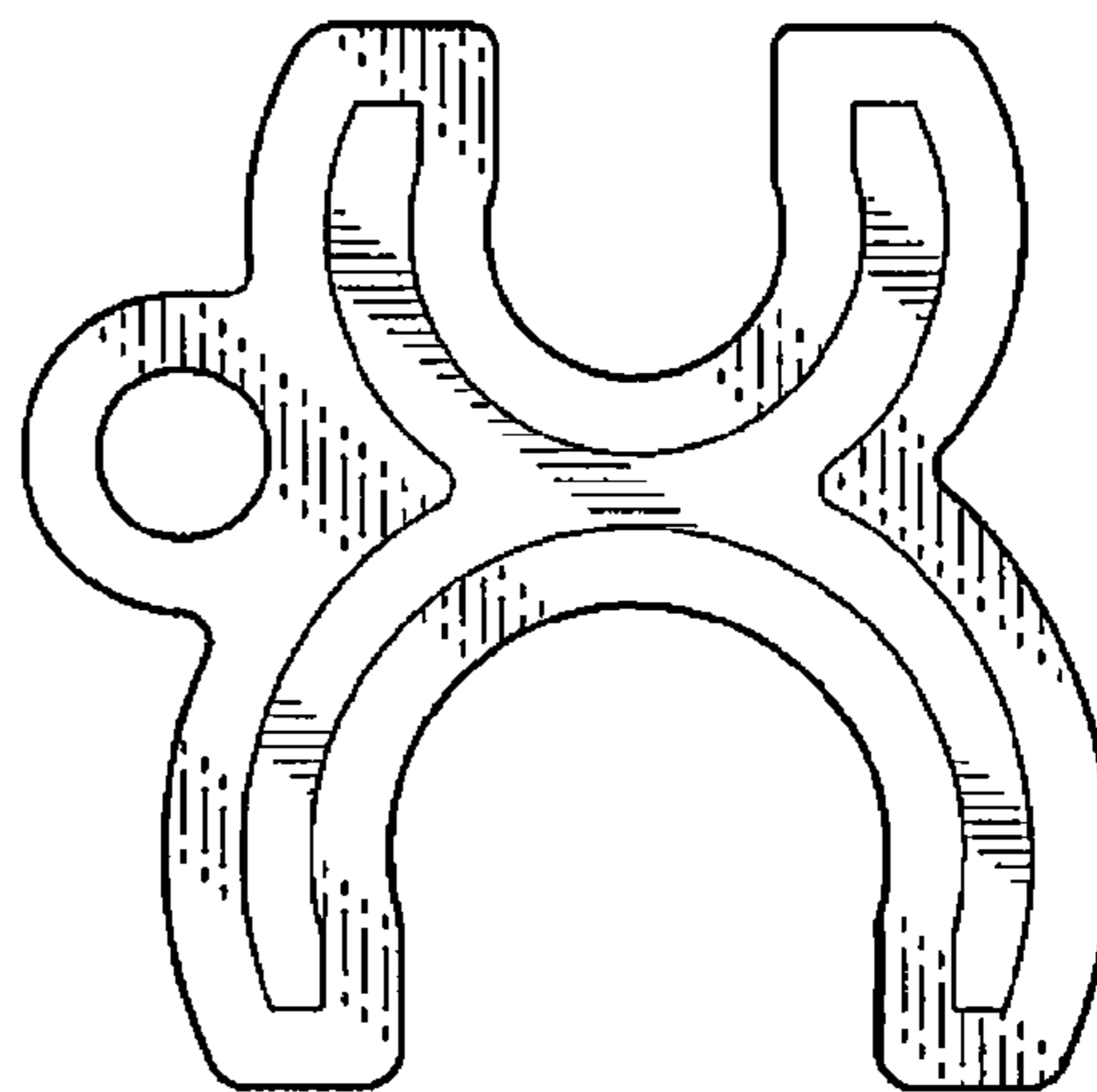


Fig-6

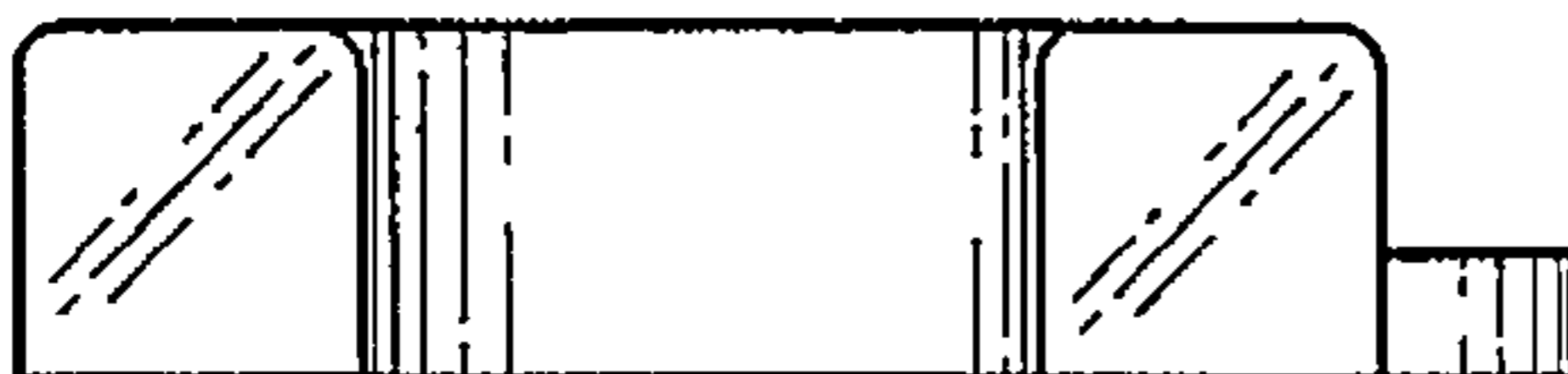


Fig-7