



US00D717138S

(12) **United States Design Patent**
Bone et al.

(10) **Patent No.:** **US D717,138 S**

(45) **Date of Patent:** **** Nov. 11, 2014**

(54) **ACCESSORY FOR A STRING TRIMMER**

(71) Applicant: **Black & Decker Inc.**, Newark, DE (US)

(72) Inventors: **Graham Bone**, Durham (GB); **Mark Baxter**, Tyne & Wear (GB)

(73) Assignee: **Black & Decker Inc.**, Newark, DE (US)

(**) Term: **14 Years**

(21) Appl. No.: **29/472,713**

(22) Filed: **Nov. 15, 2013**

(30) **Foreign Application Priority Data**

May 16, 2013 (EM) 001371454

(51) **LOC (10) CL.** **08-01**

(52) **U.S. CL.**
USPC **D8/8**

(58) **Field of Classification Search**

CPC A01D 34/416; A01D 34/4166; A01D
34/4167; A01D 34/84; A01D 34/90

USPC D8/7-9; D15/17, 1; 30/276, 208-210,
30/347, 228, 382-383; 56/12.7, 233-234

See application file for complete search history.

(56) **References Cited**

U.S. PATENT DOCUMENTS

D346,727 S * 5/1994 Eriksson D8/8
D362,600 S * 9/1995 Kiyooka et al. D8/8

(Continued)

Primary Examiner — Sheryl Lane

(74) *Attorney, Agent, or Firm* — John Yun

(57) **CLAIM**

The ornamental design for an accessory for a string trimmer,
as shown and described.

DESCRIPTION

FIG. 1 is a perspective top view of spool housing for the string
trimmer;

FIG. 2 is a perspective bottom view of spool housing of FIG.
1;

FIG. 3 is a front view of the spool housing of FIG. 1;

FIG. 4 is a rear view of the spool housing of FIG. 1;

FIG. 5 is a left view of the spool housing of FIG. 1;

FIG. 6 is a right side view of the spool housing of FIG. 1;

FIG. 7 is a bottom view of the spool housing of FIG. 1;

FIG. 8 is a top view of the spool housing of FIG. 1; and

FIG. 9 is a perspective view of the spool housing of FIG. 1 and
spool for the string trimmer;

FIG. 10 is a front view of the spool housing and spool of FIG.
9;

FIG. 11 is a rear view of the spool housing and spool of FIG.
9;

FIG. 12 is a left side view of the spool housing and spool of
FIG. 9;

FIG. 13 is a right side view of the spool housing and spool of
FIG. 9;

FIG. 14 is a top view of the spool housing and spool of FIG.
9;

FIG. 15 is a bottom view of the spool housing and spool of
FIG. 9; and

FIG. 16 is a perspective view of the spool for the string
trimmer;

FIG. 17 is a front view of the spool of FIG. 16;

FIG. 18 is a rear view of the spool of FIG. 16;

FIG. 19 is a right side view of FIG. 16;

FIG. 20 is a left side view of FIG. 16;

FIG. 21 is a top view of FIG. 16;

FIG. 22 is a bottom view of FIG. 16; and

FIG. 23 is a perspective view of a spool without a line retainer
for the string trimmer;

FIG. 24 is a front view of the spool of FIG. 23;

FIG. 25 is a rear view of the spool of FIG. 23;

FIG. 26 is a right side view of the spool of FIG. 23;

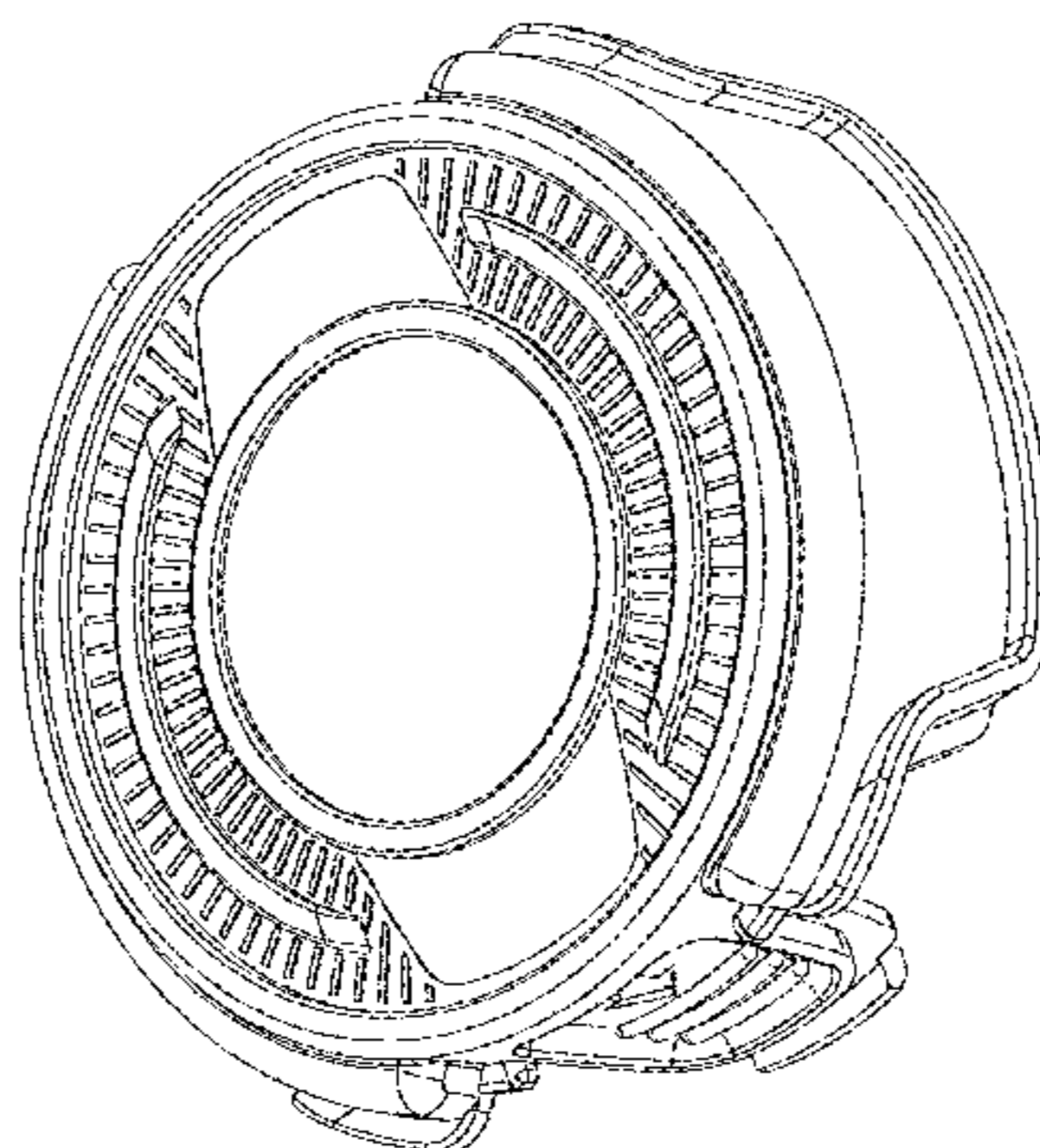
FIG. 27 is a left side view of the spool of FIG. 23;

FIG. 28 is a top view of the spool FIG. 23; and,

FIG. 29 is a bottom view of the spool of FIG. 23.

In the above drawings, the broken lines and areas within the
broken lines represent portions of the article and form no part
of the claimed design.

1 Claim, 17 Drawing Sheets



(56)

References Cited

U.S. PATENT DOCUMENTS

D376,741 S *	12/1996	Sadlowski, Sr.	D8/8	D560,107 S *	1/2008	Grey	D8/8
D460,904 S *	7/2002	Riley et al.	D8/8	D584,581 S *	1/2009	Bradford	D8/8
D465,975 S *	11/2002	Iacona	D8/8	D597,804 S *	8/2009	Alliss	D8/8
D479,961 S *	9/2003	Iacona	D8/8	D598,254 S *	8/2009	Alliss	D8/8
D482,581 S *	11/2003	Nystrom	D8/8	D598,255 S *	8/2009	Alliss	D8/8
D482,941 S *	12/2003	Nystrom	D8/8	D630,068 S *	1/2011	Proulx	D8/8
D502,368 S *	3/2005	Nystrom et al.	D8/8	7,882,642 B2 *	2/2011	Proulx	30/276
				D653,920 S *	2/2012	Cigarini	D8/8
				8,510,960 B2 *	8/2013	Pfaltzgraff et al.	30/276
				8,567,073 B2 *	10/2013	Proulx	30/276

* cited by examiner

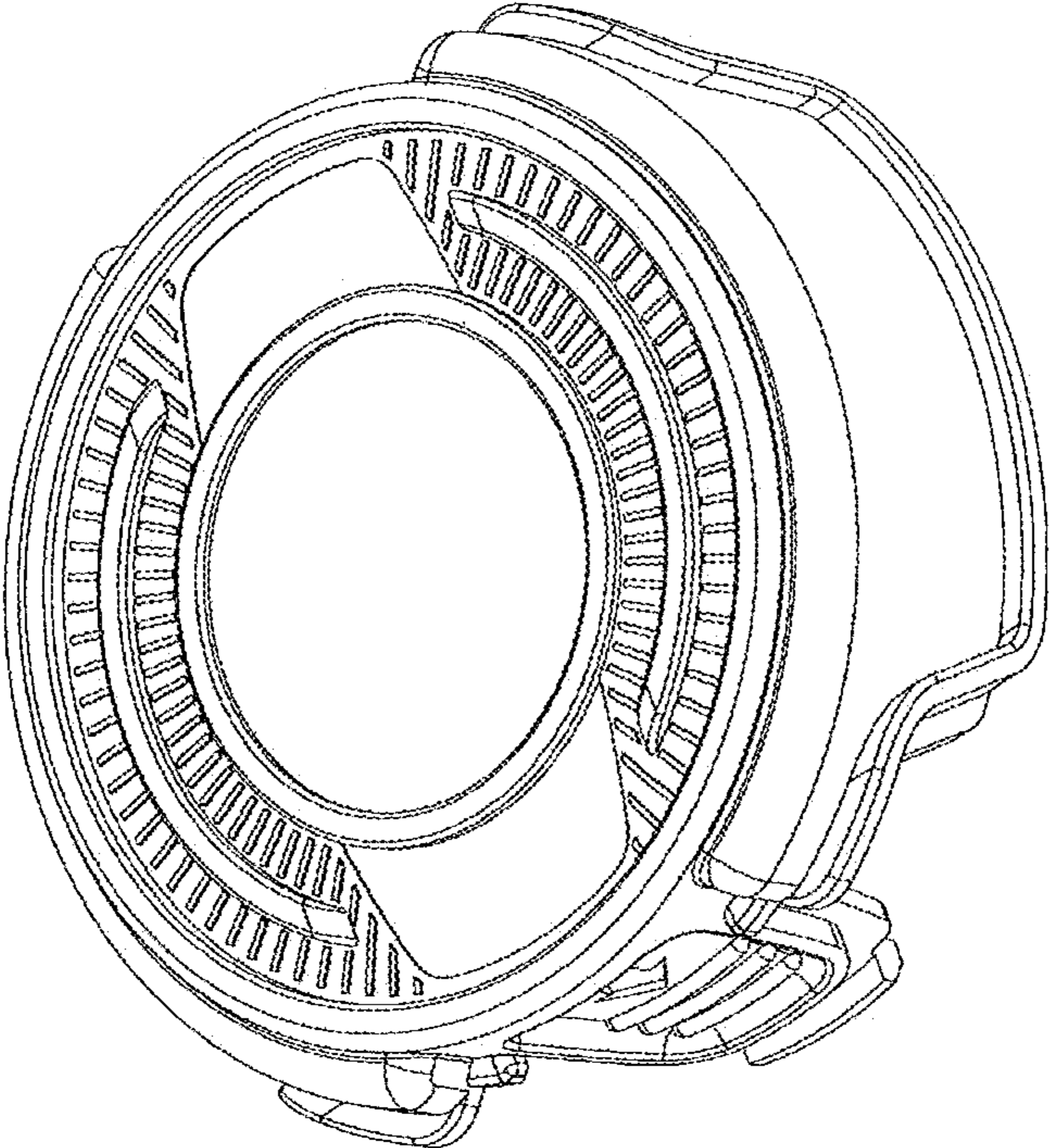


FIG. 1

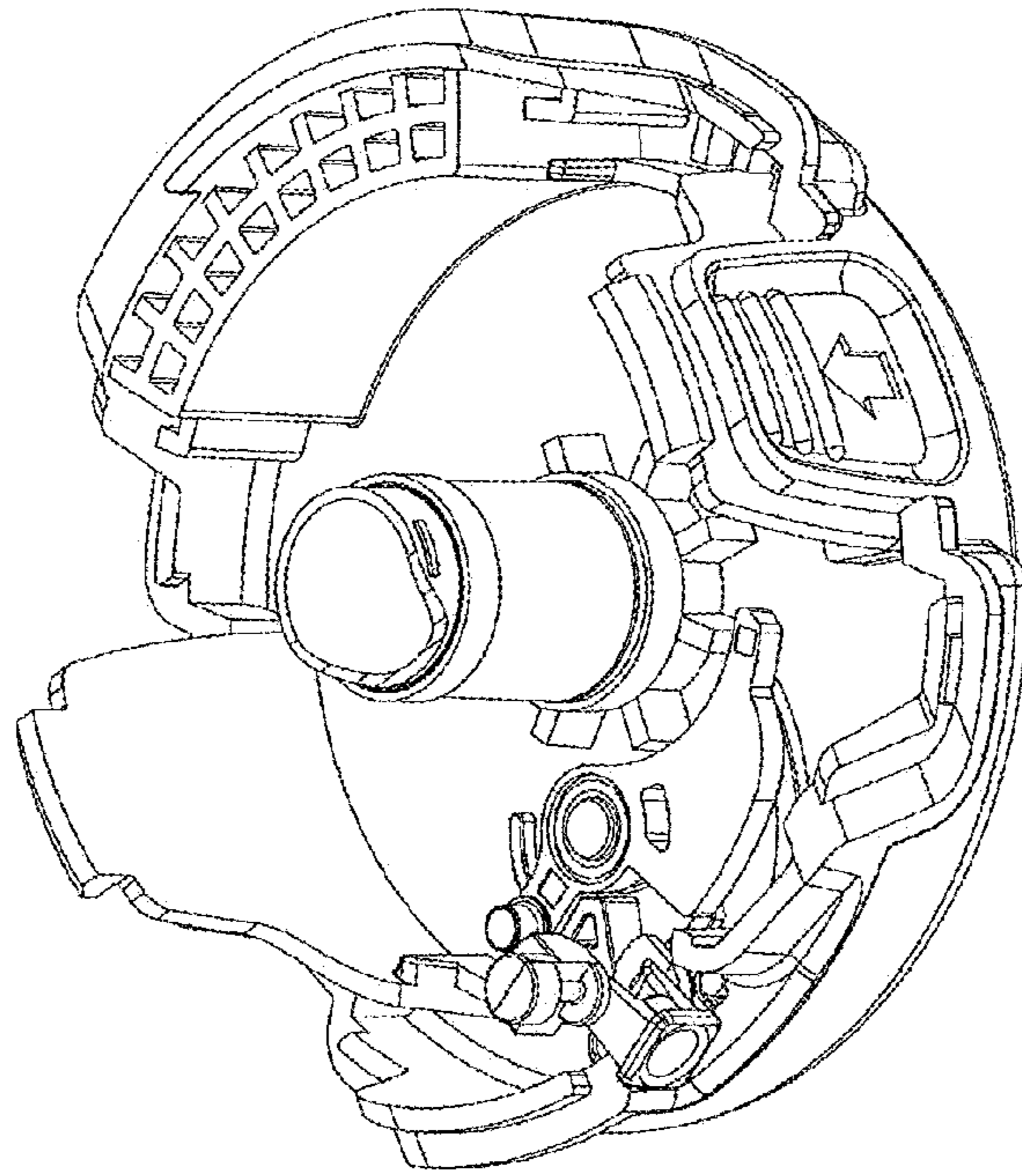


FIG. 2

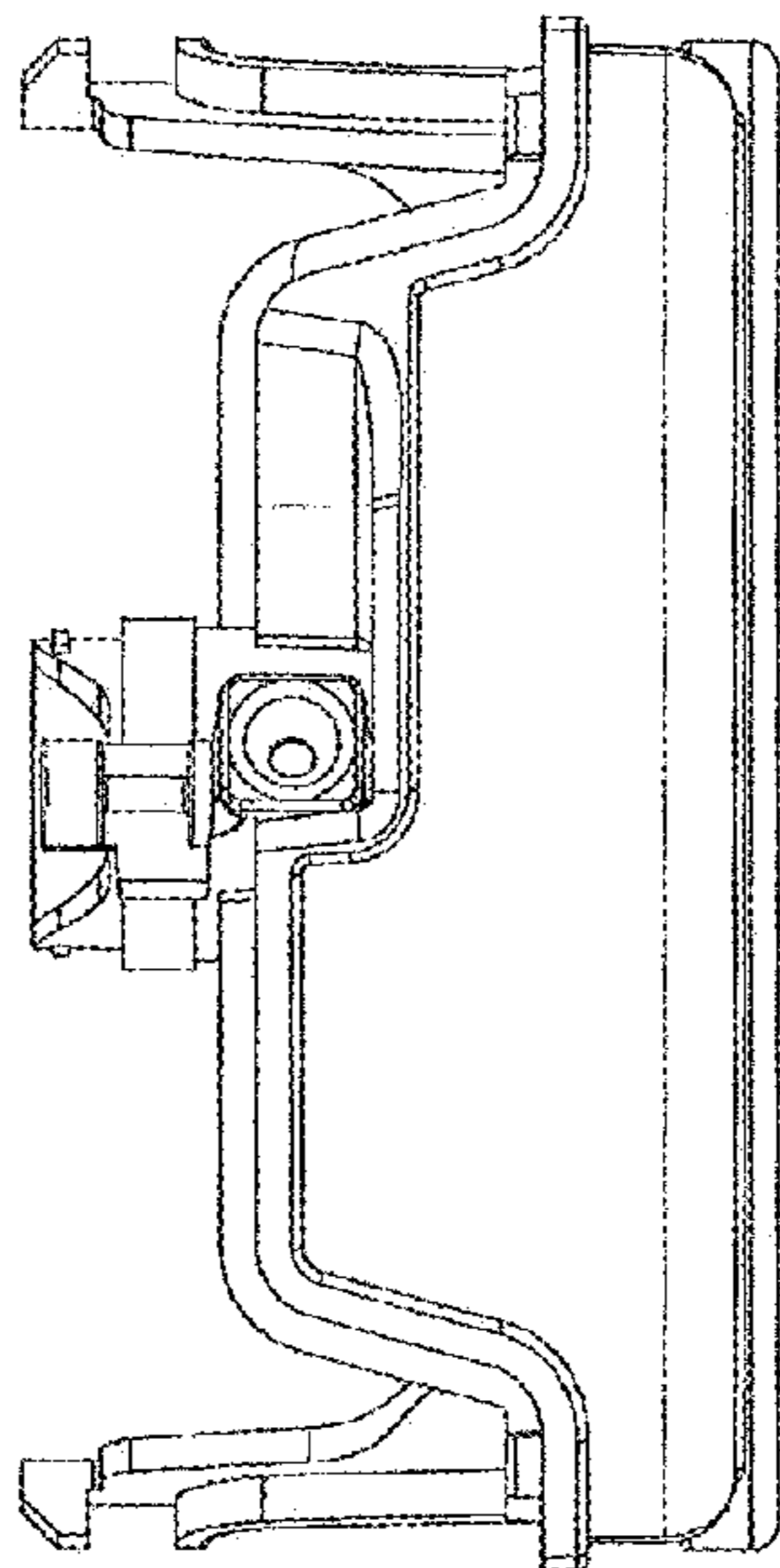


FIG. 3

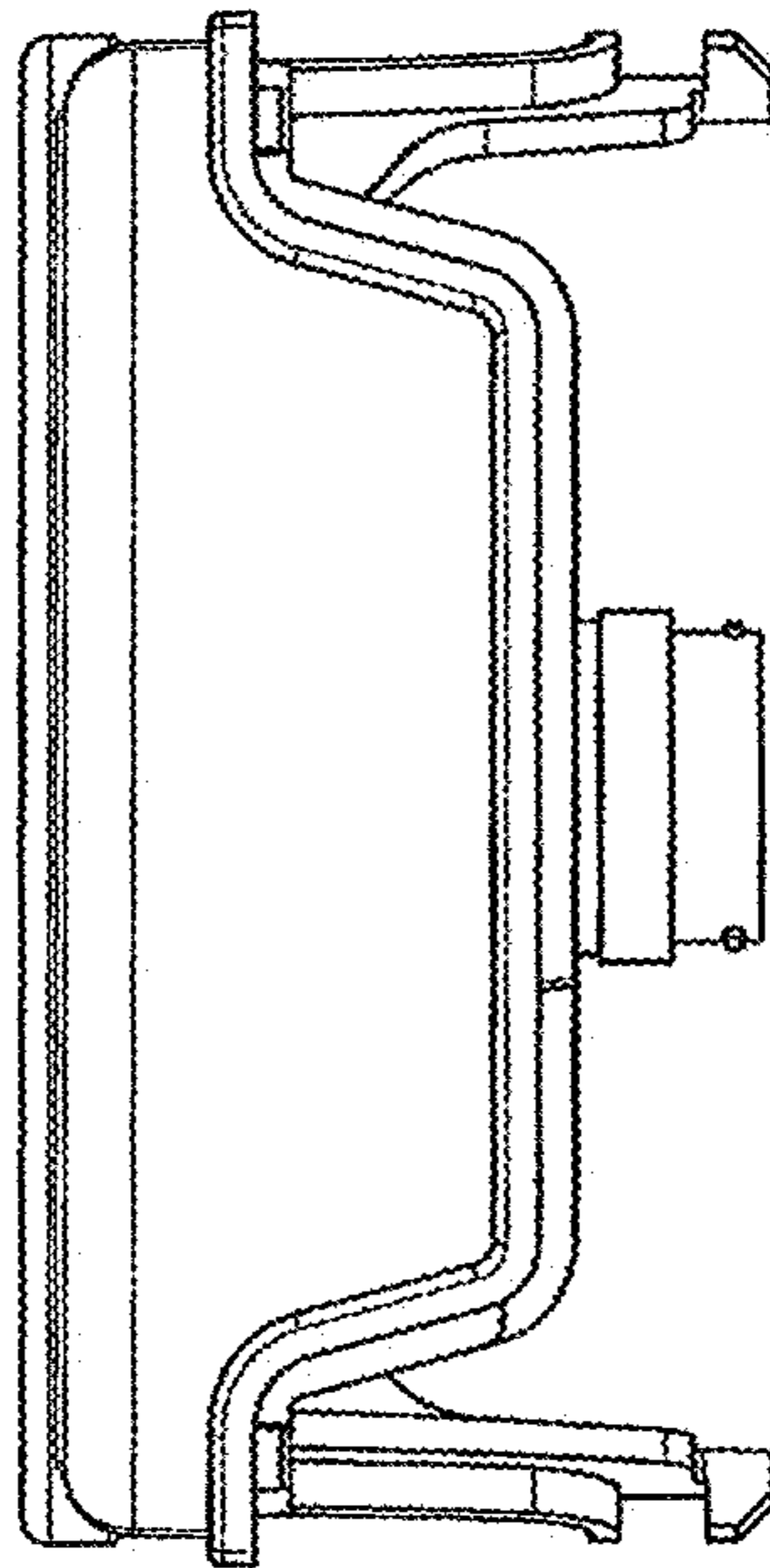


FIG. 4

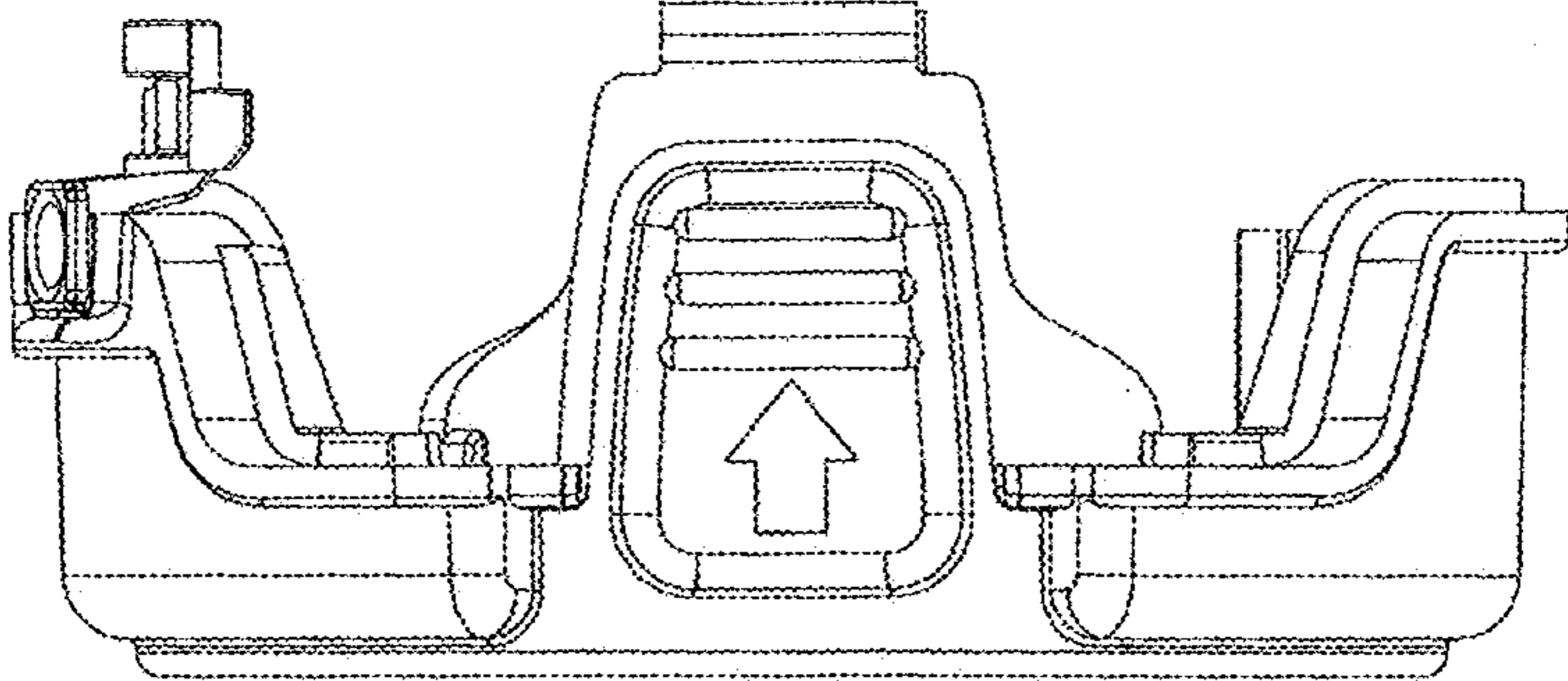


FIG. 5

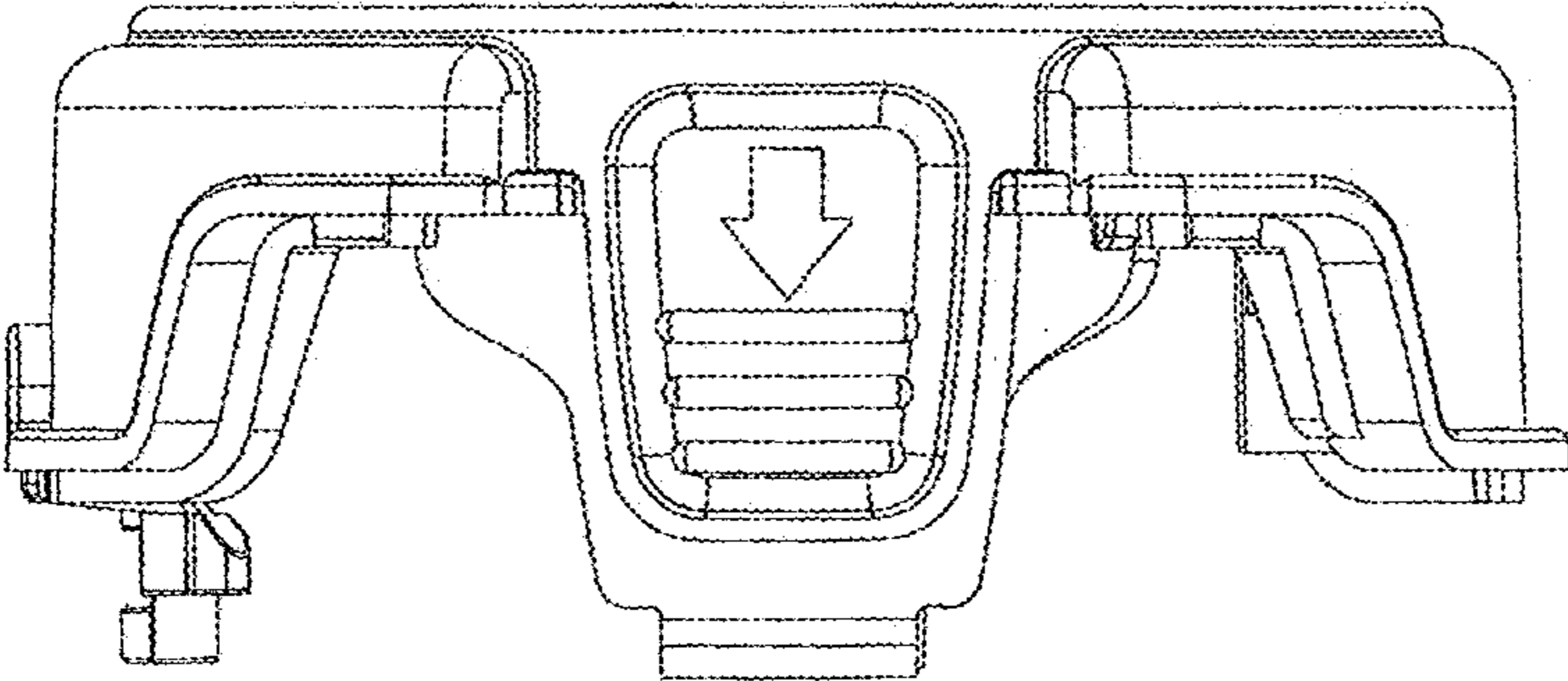


FIG. 6

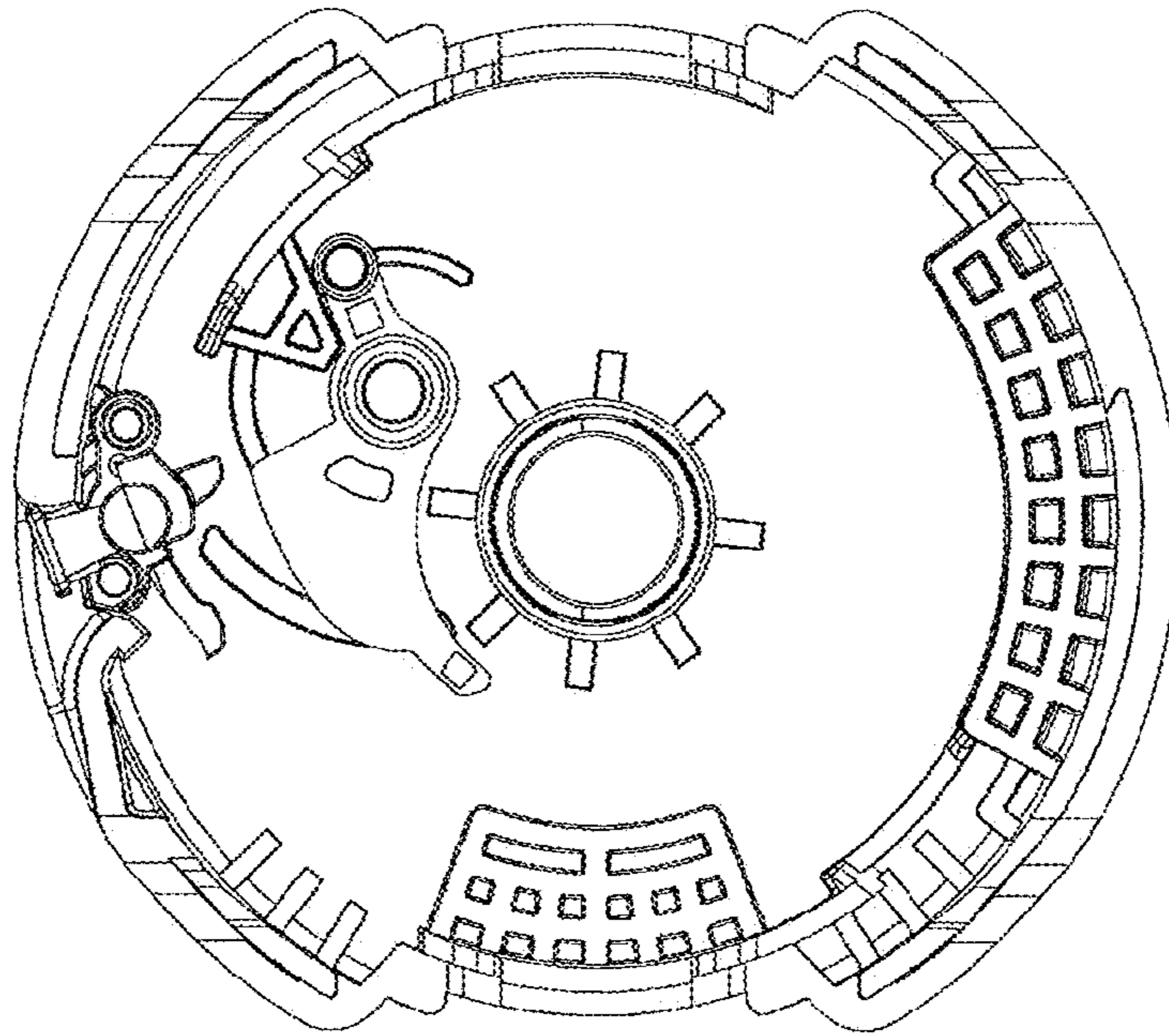


FIG. 7

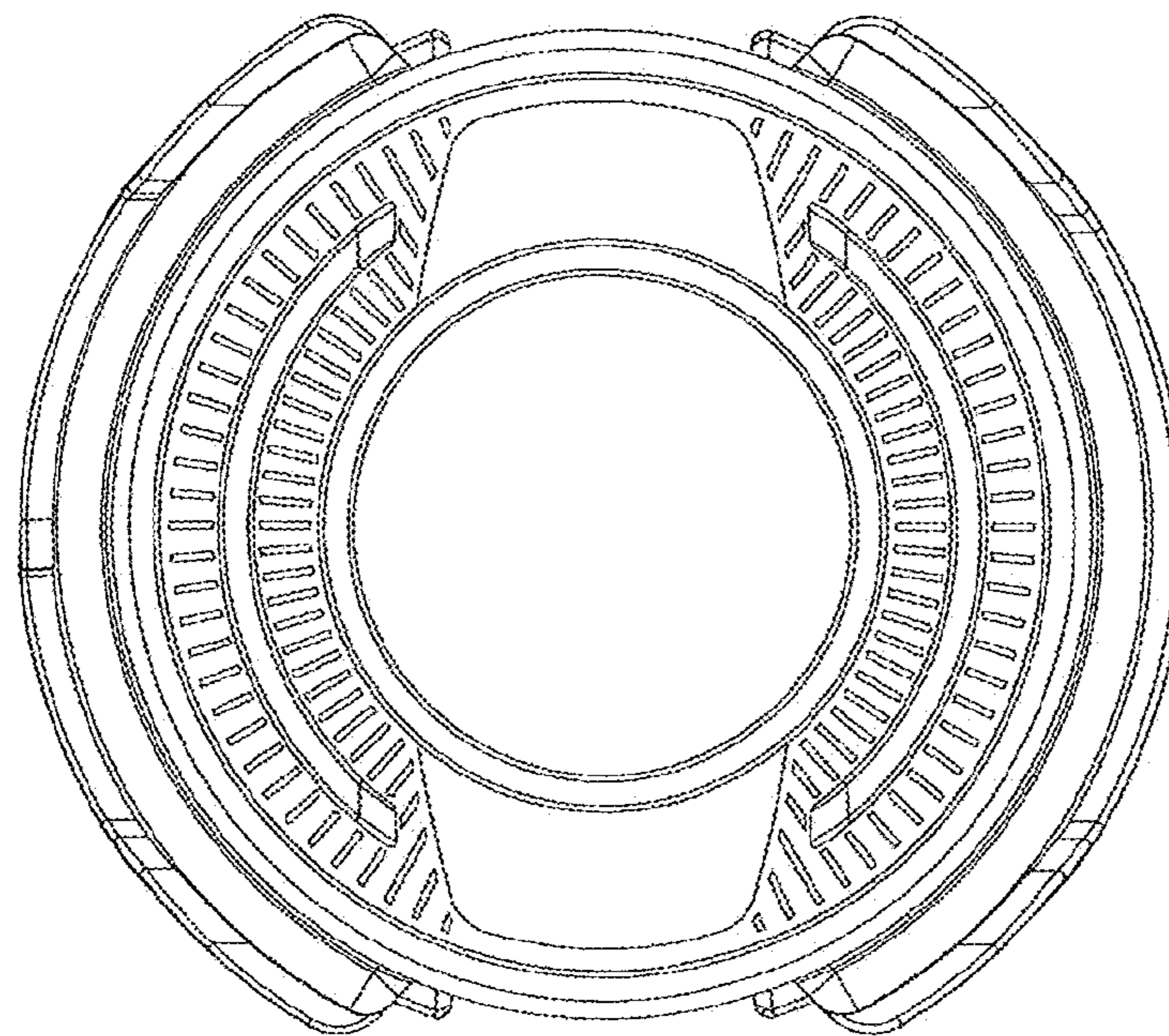


FIG. 8

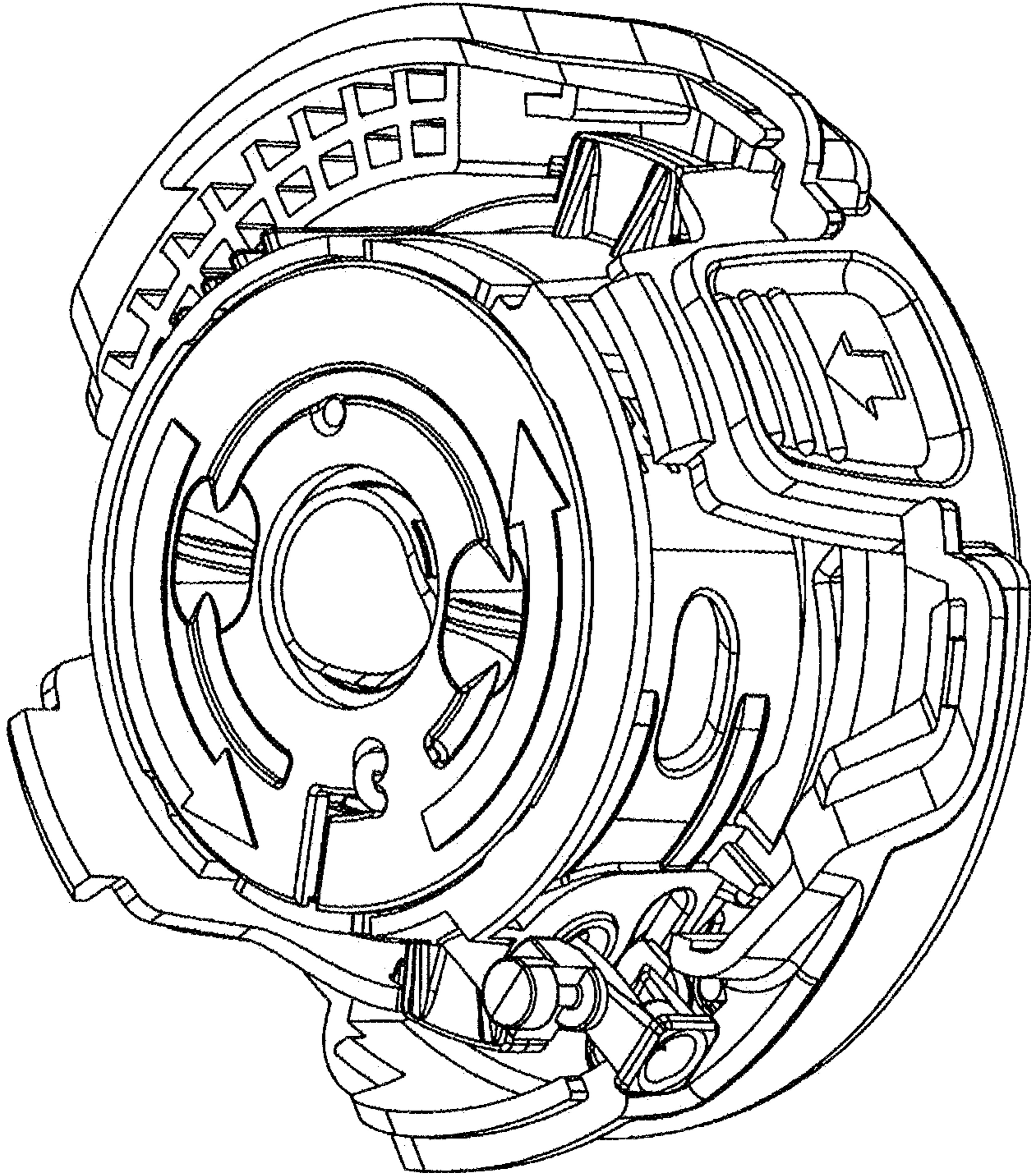


FIG. 9

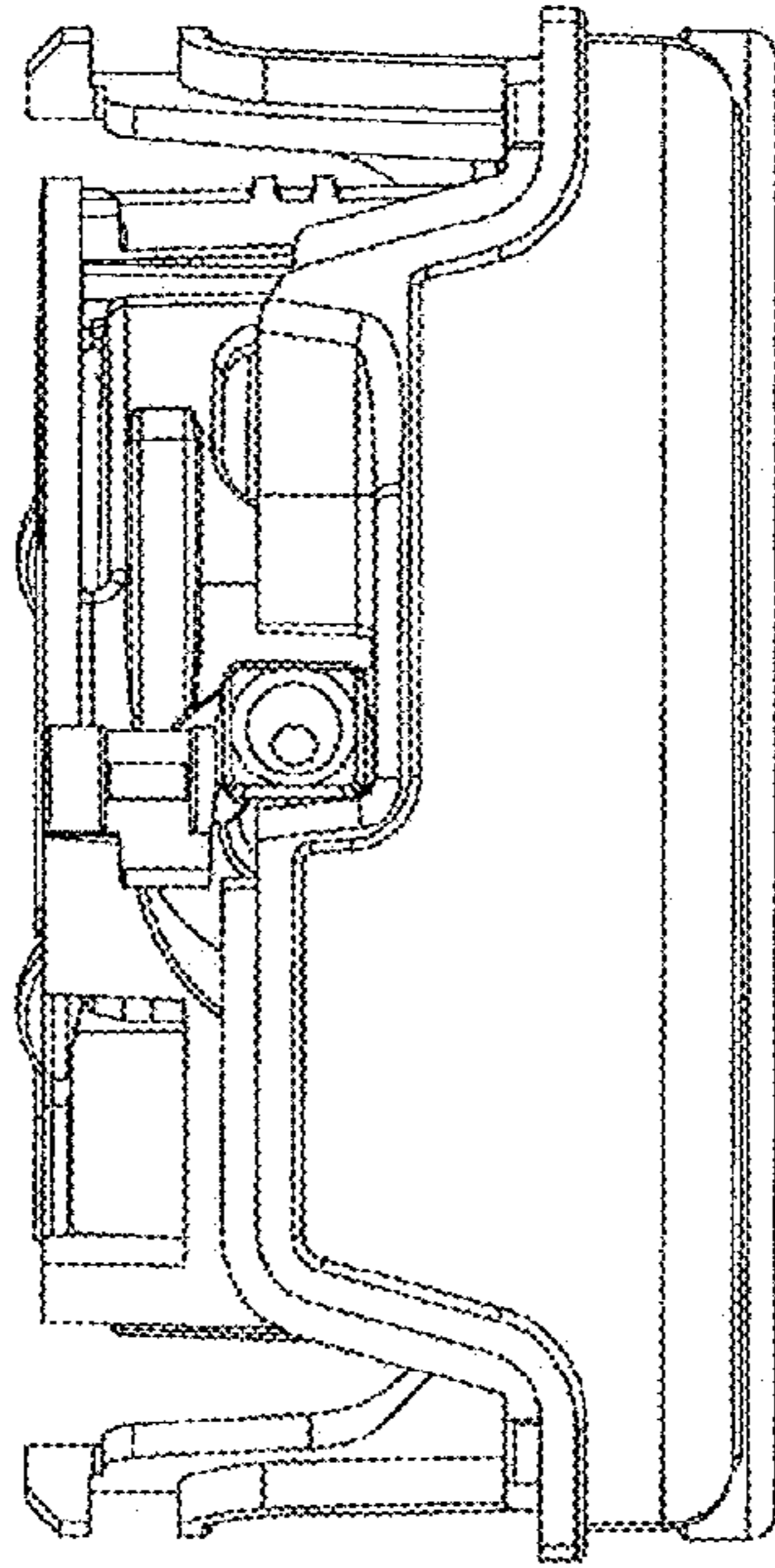


FIG. 10

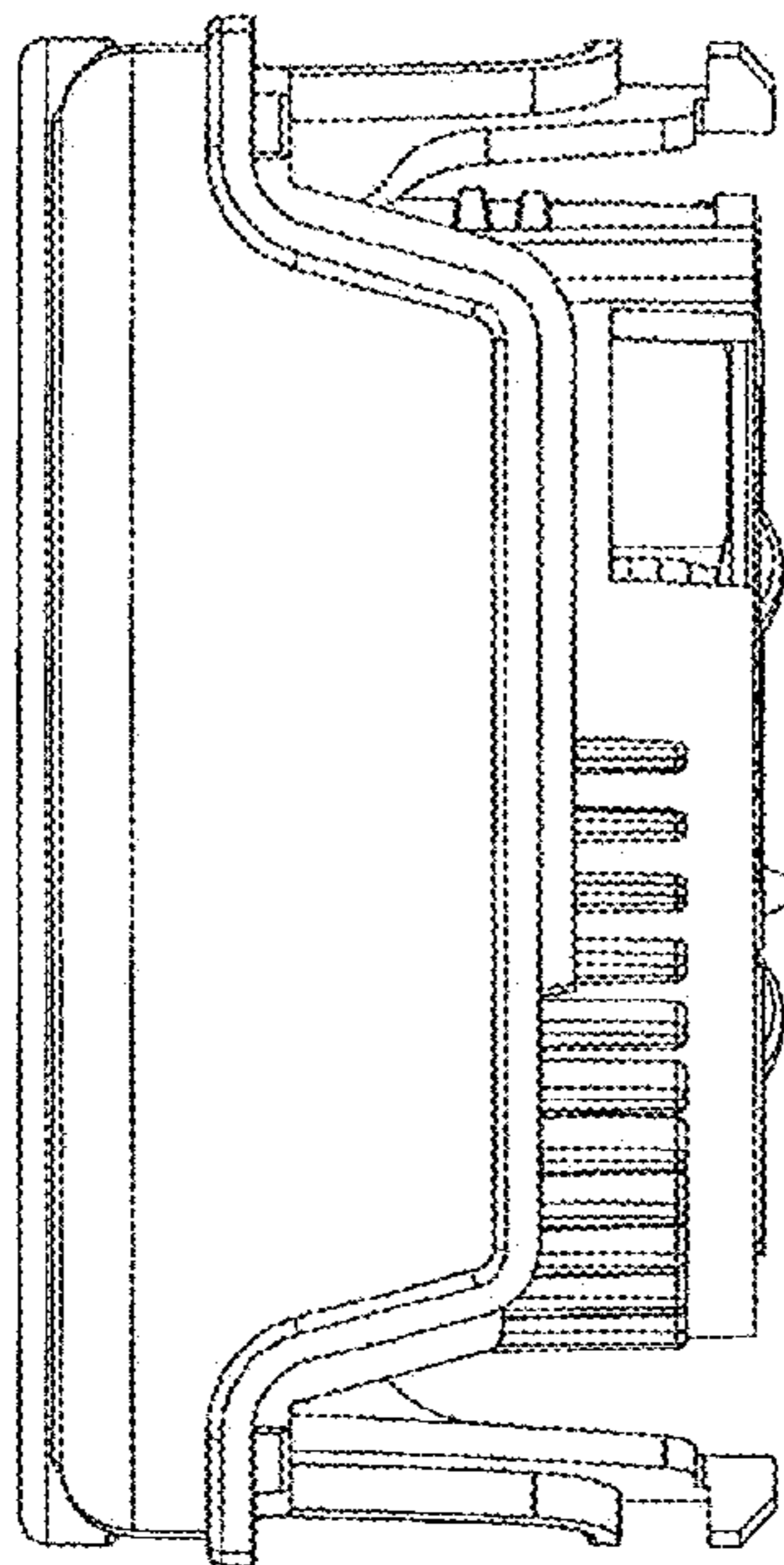


FIG. 11

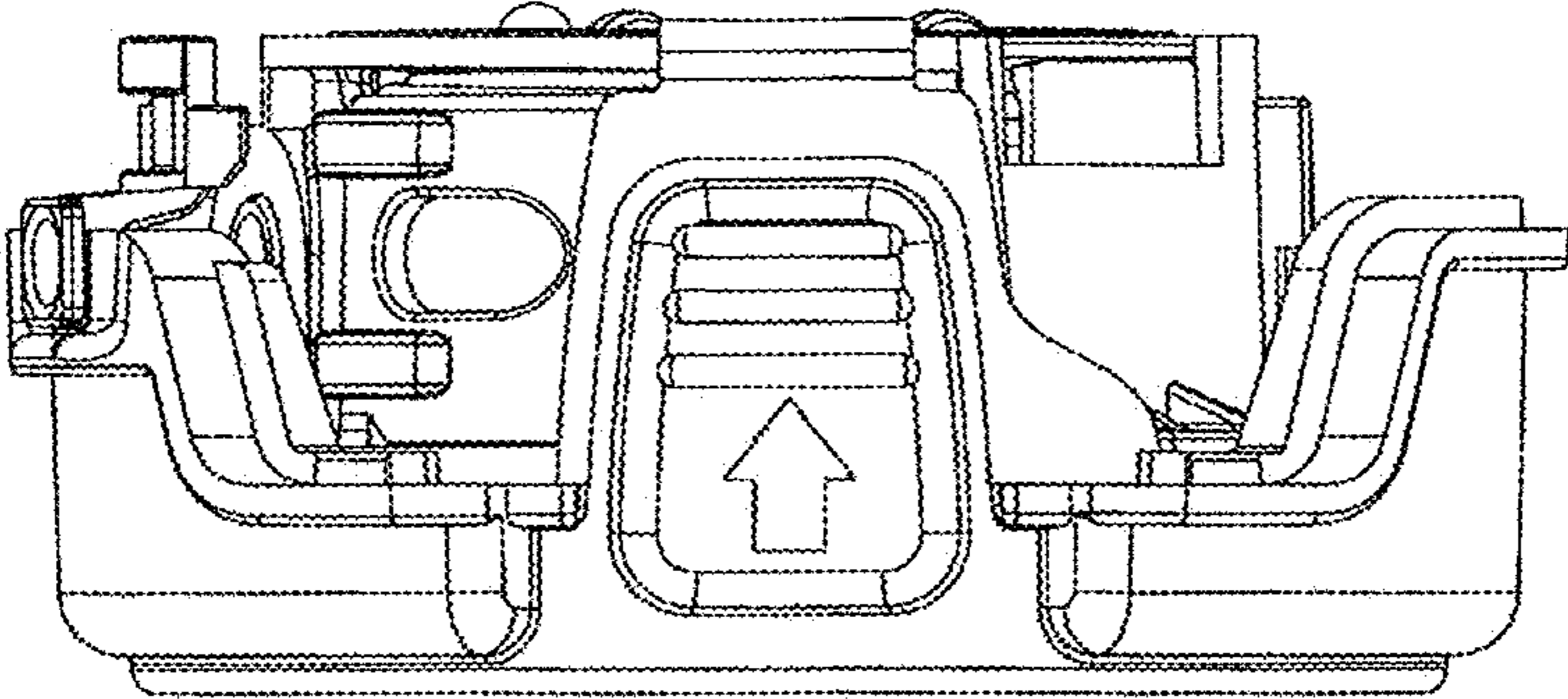


FIG. 12

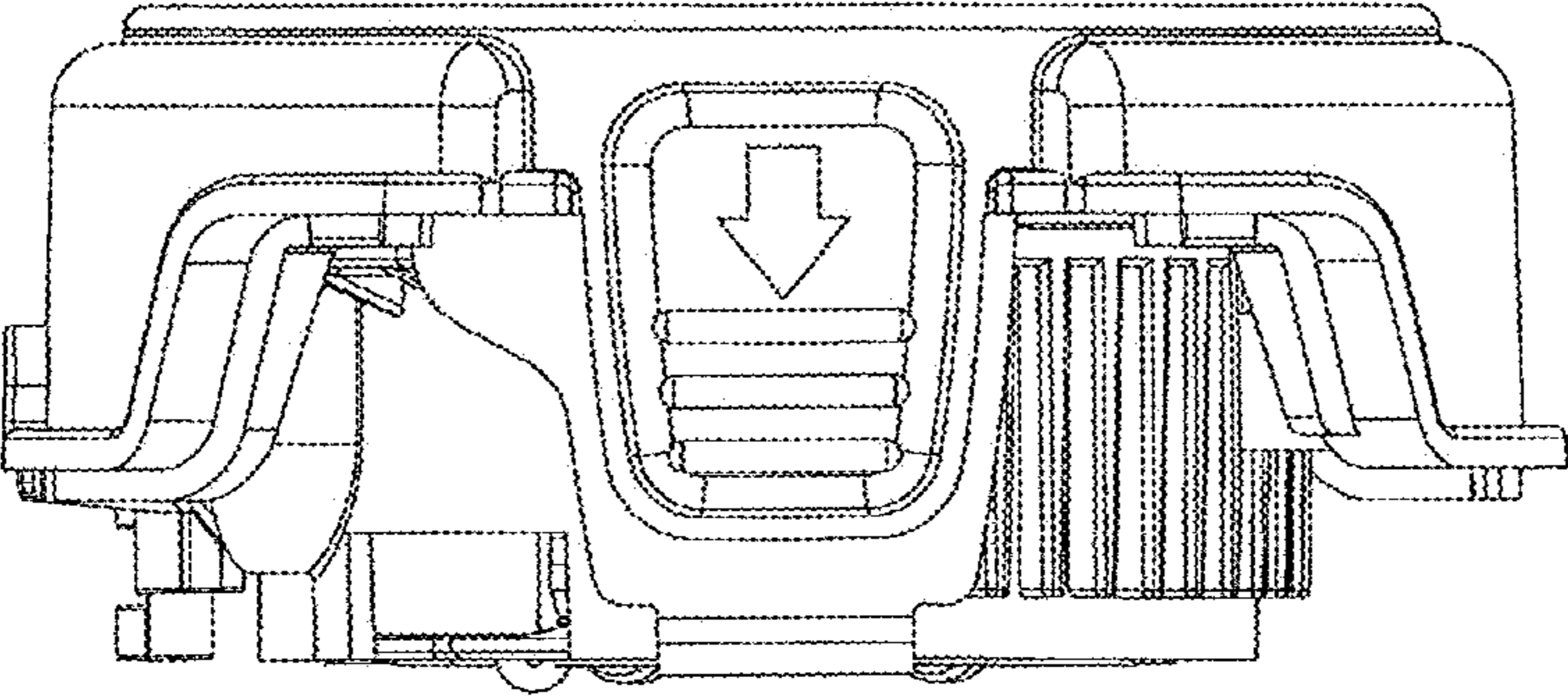


FIG. 13

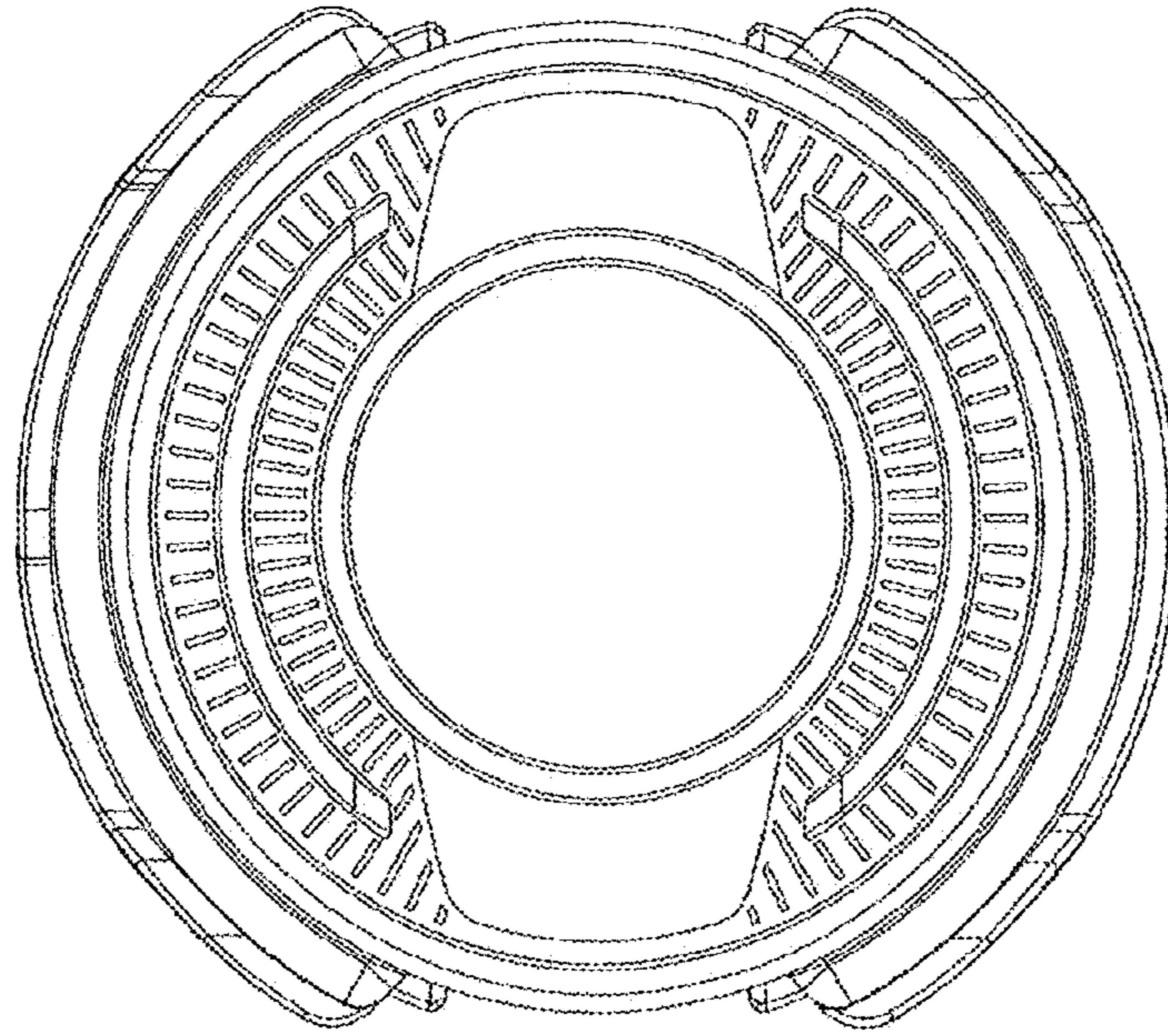


FIG. 14

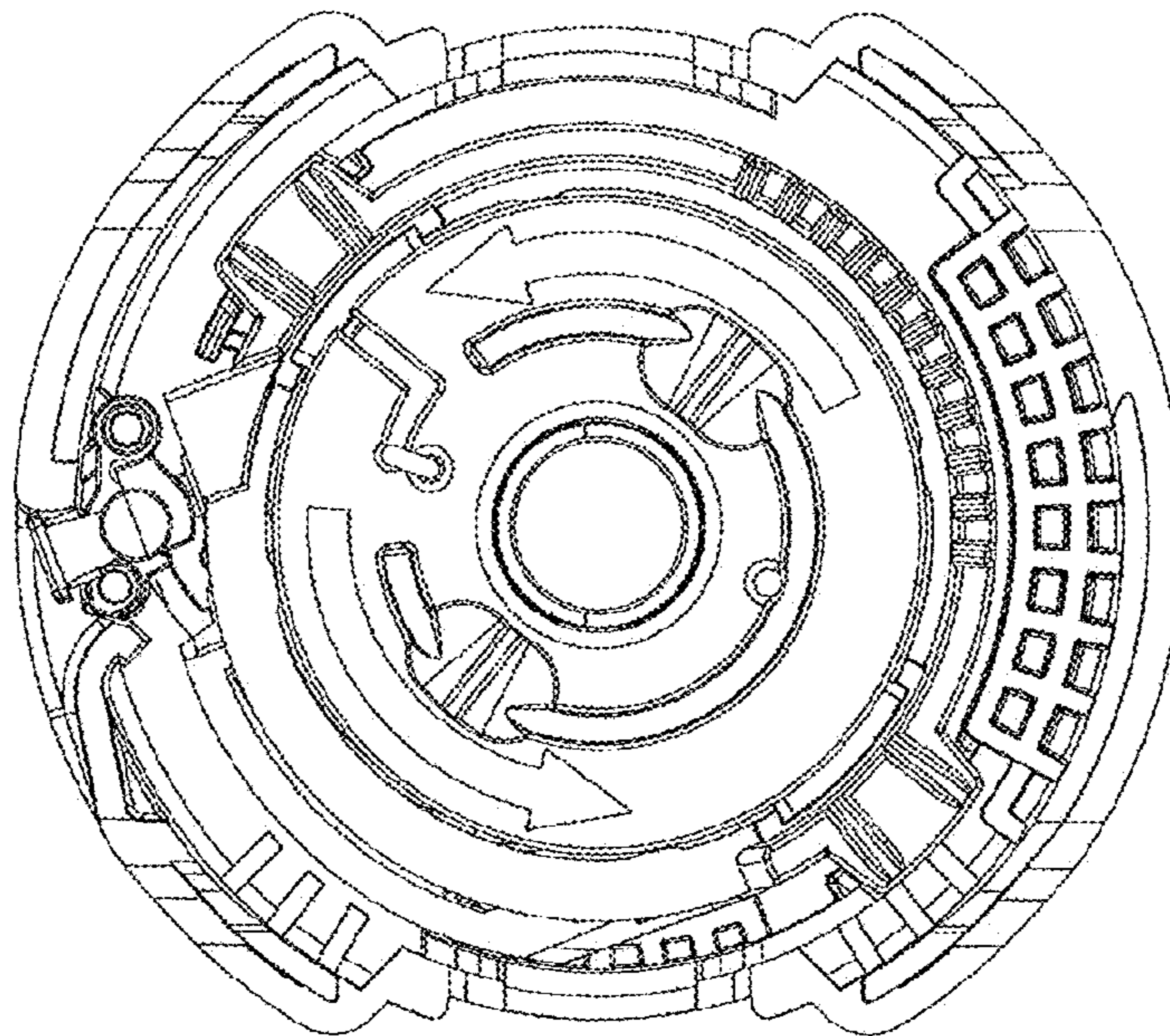


FIG. 15

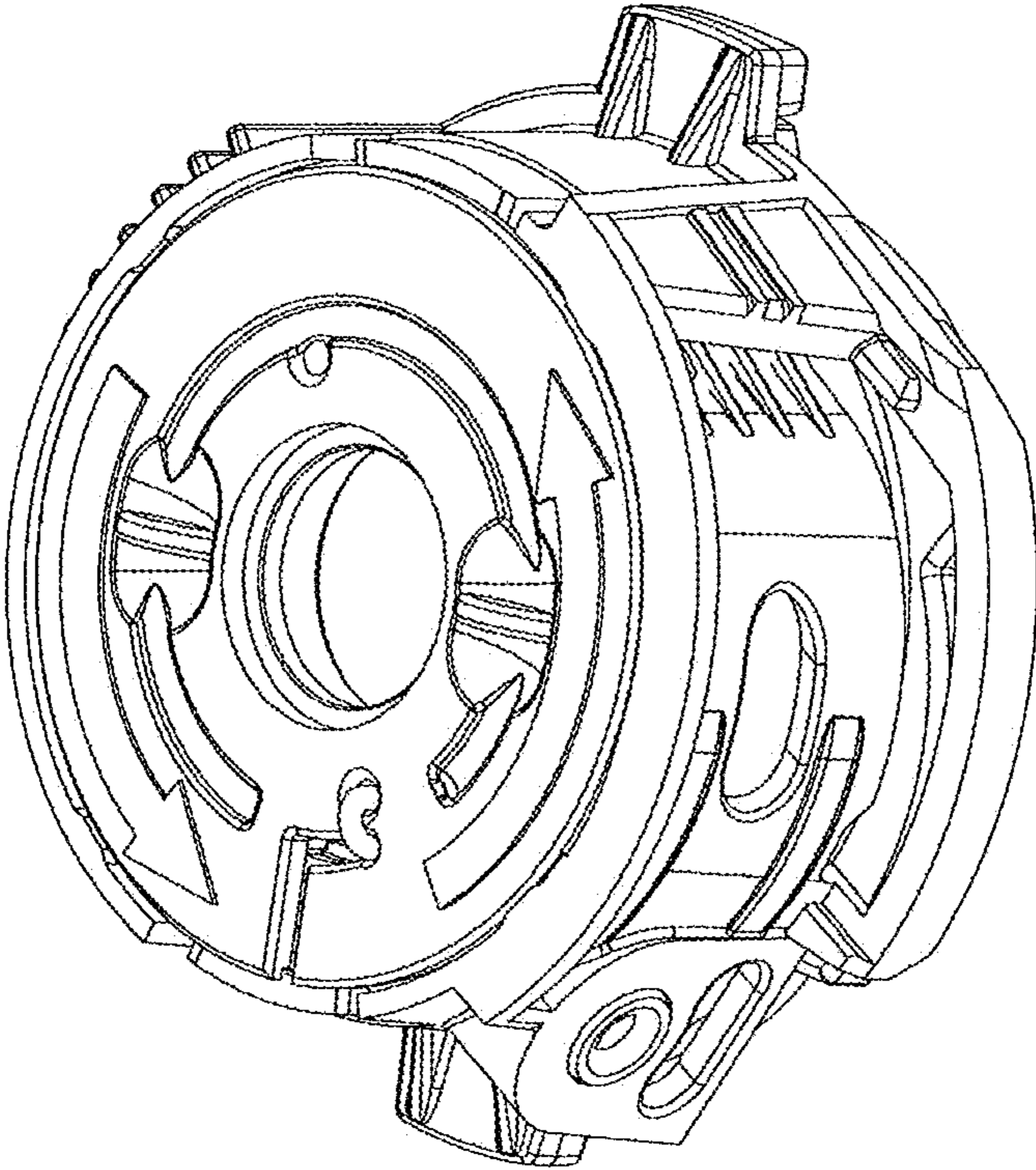


FIG. 16

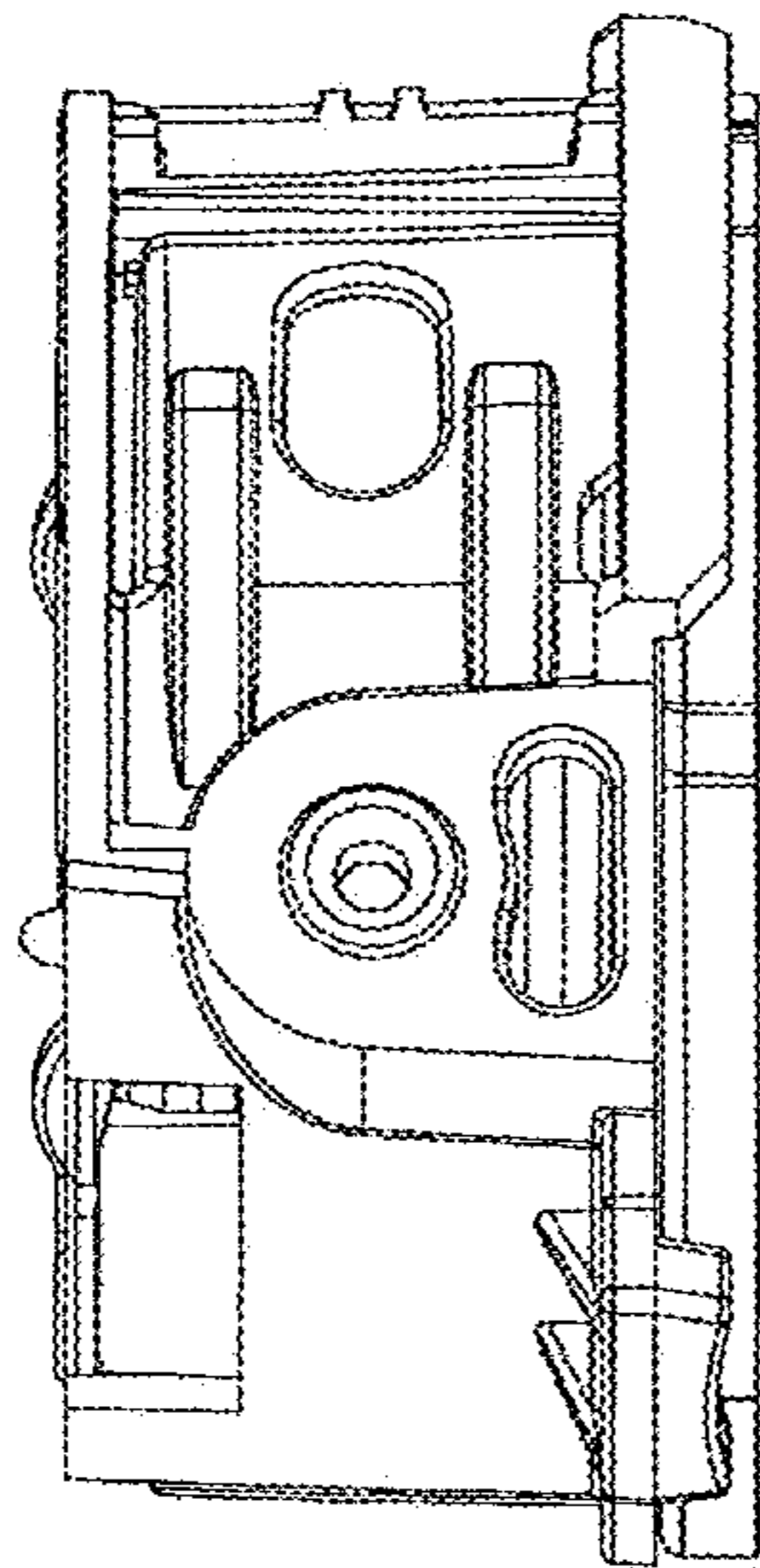


FIG. 17

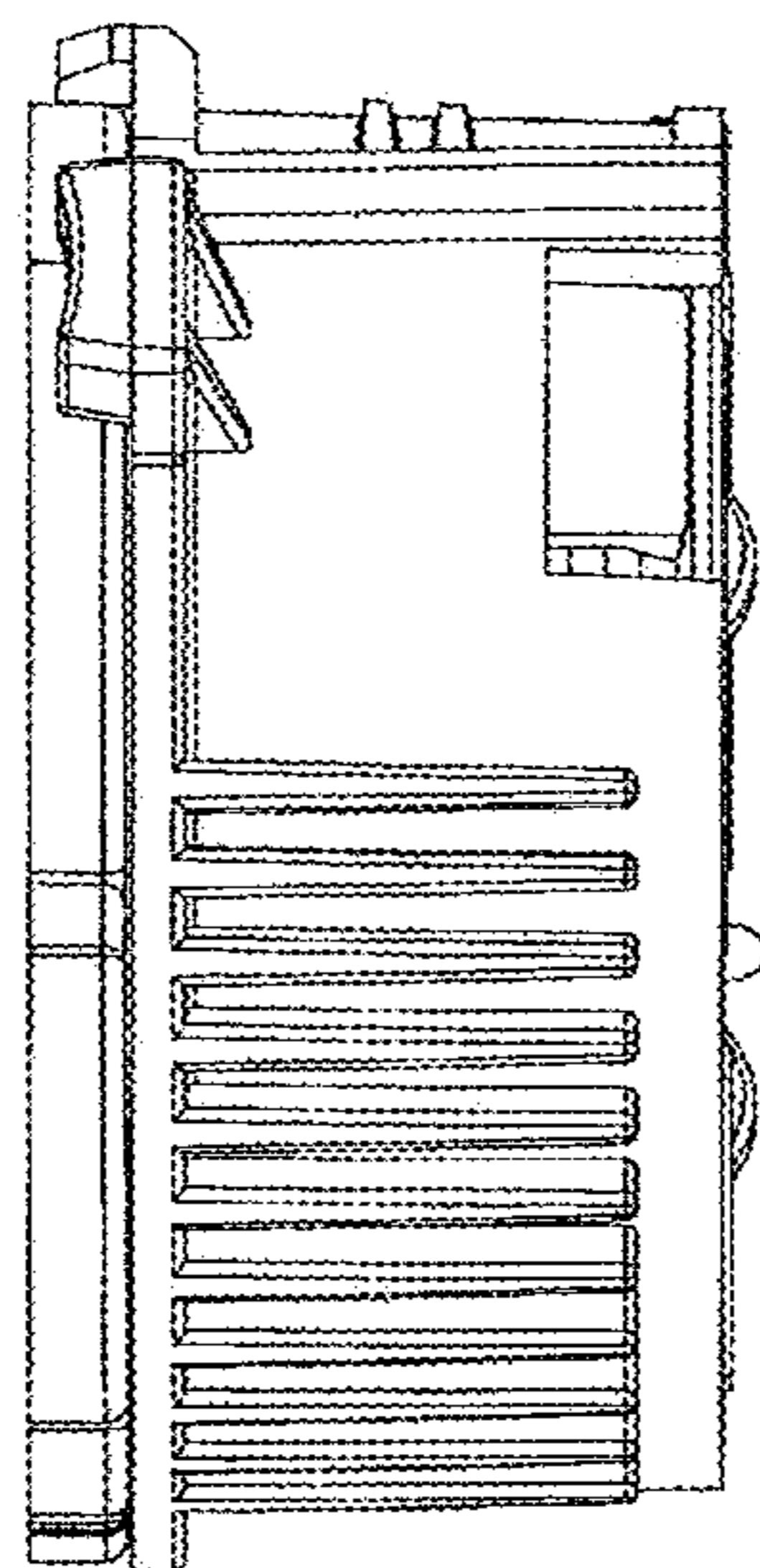


FIG. 18

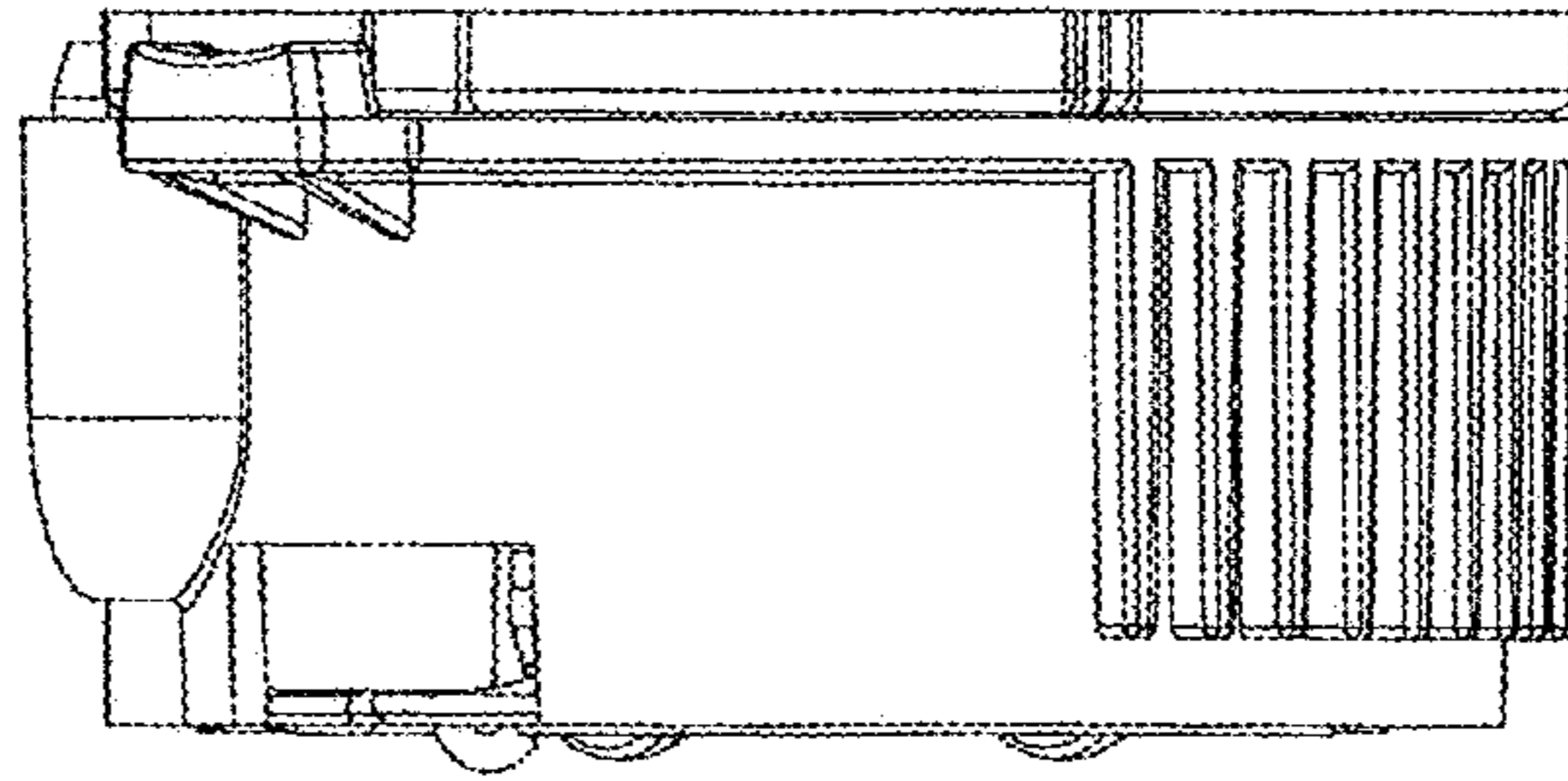


FIG. 19

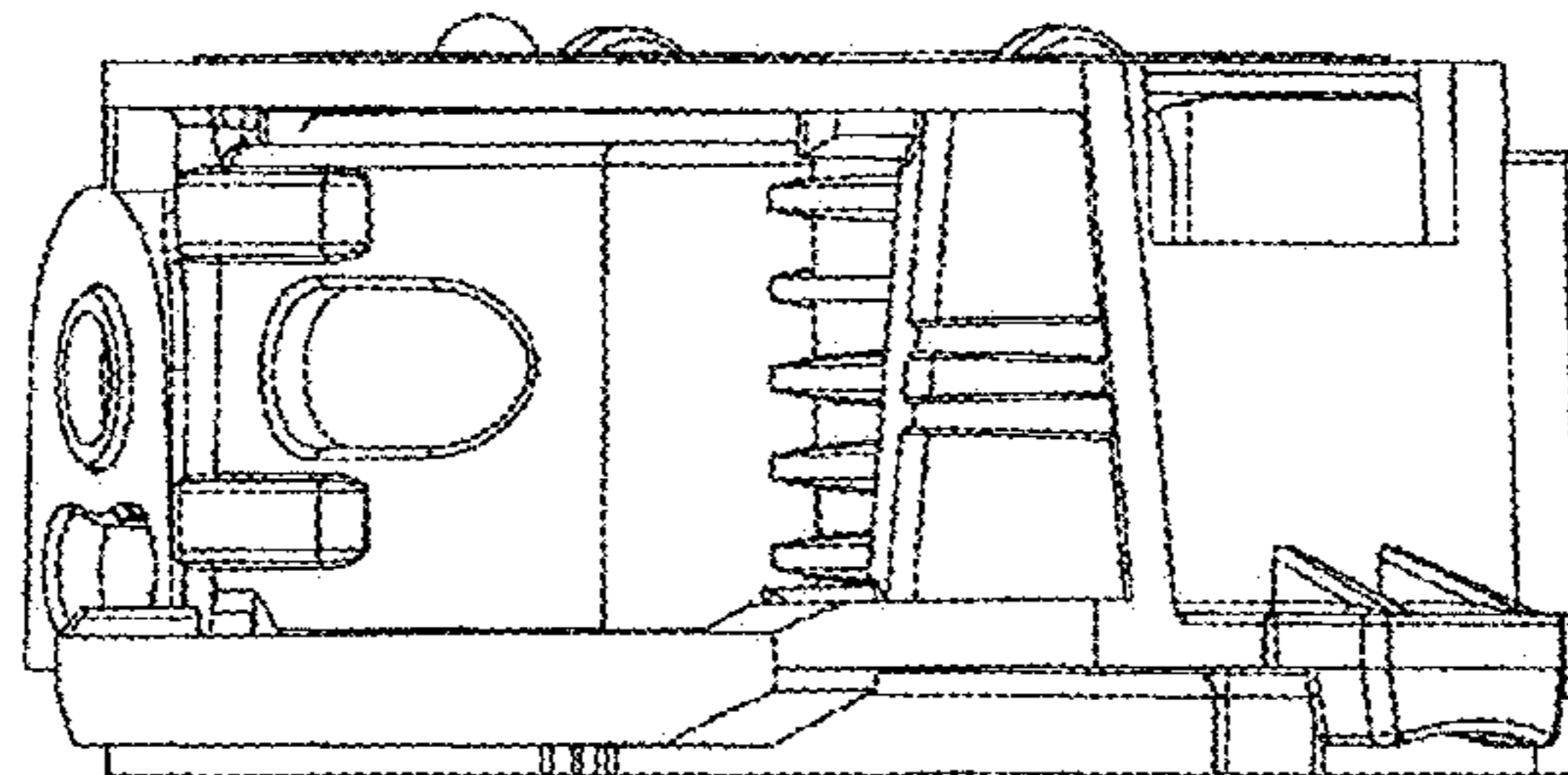


FIG. 20

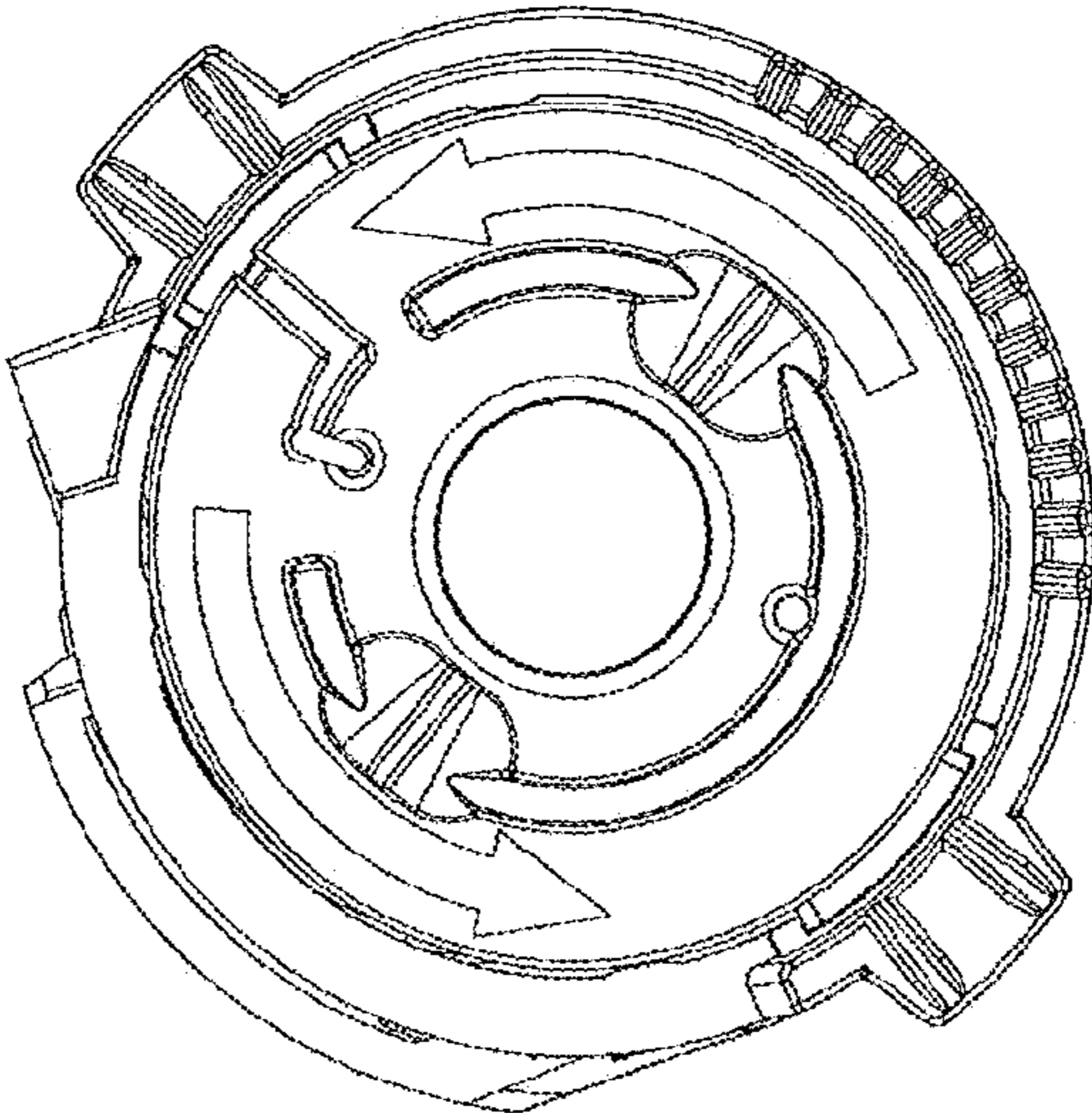


FIG. 21

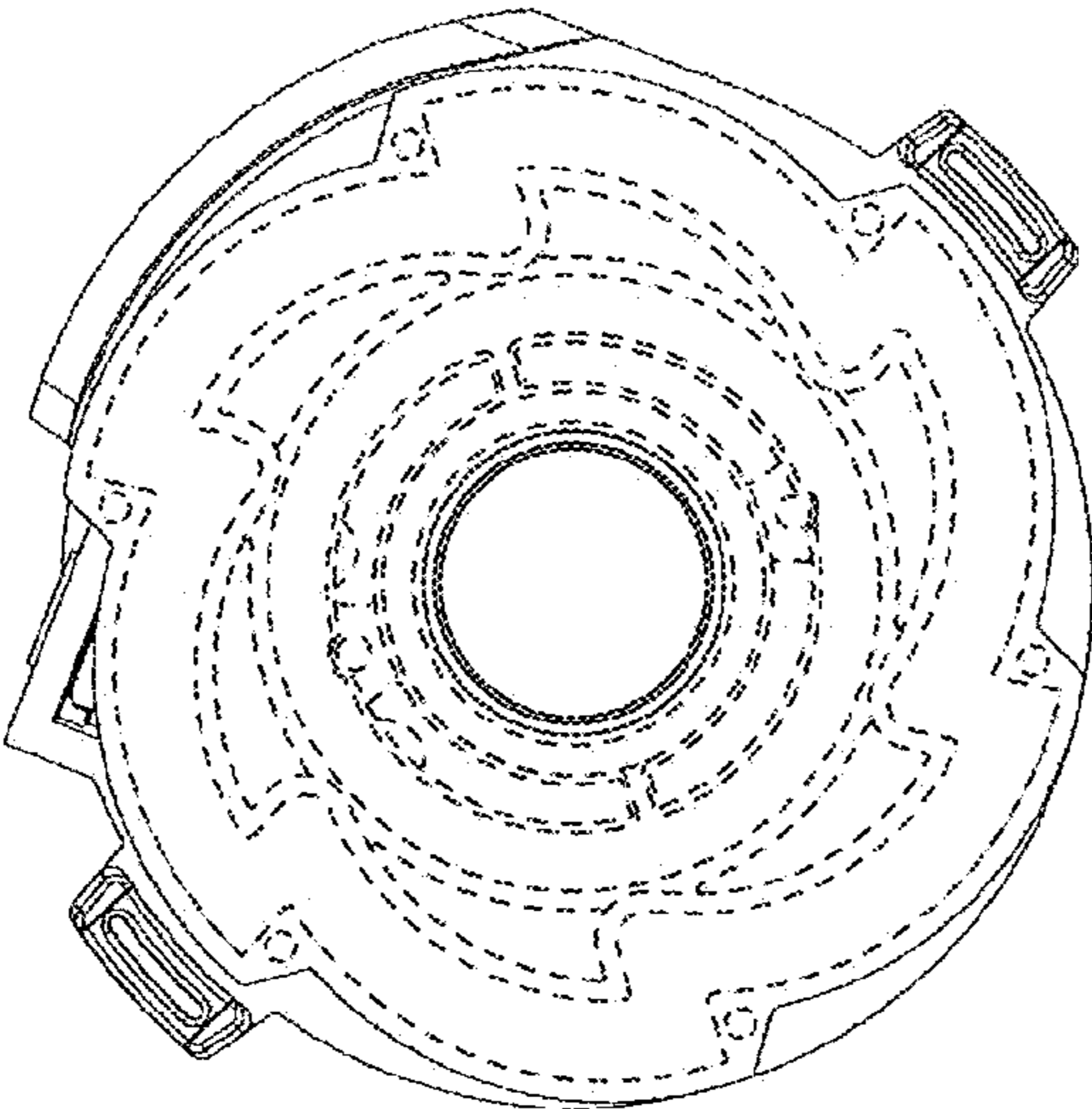


FIG. 22

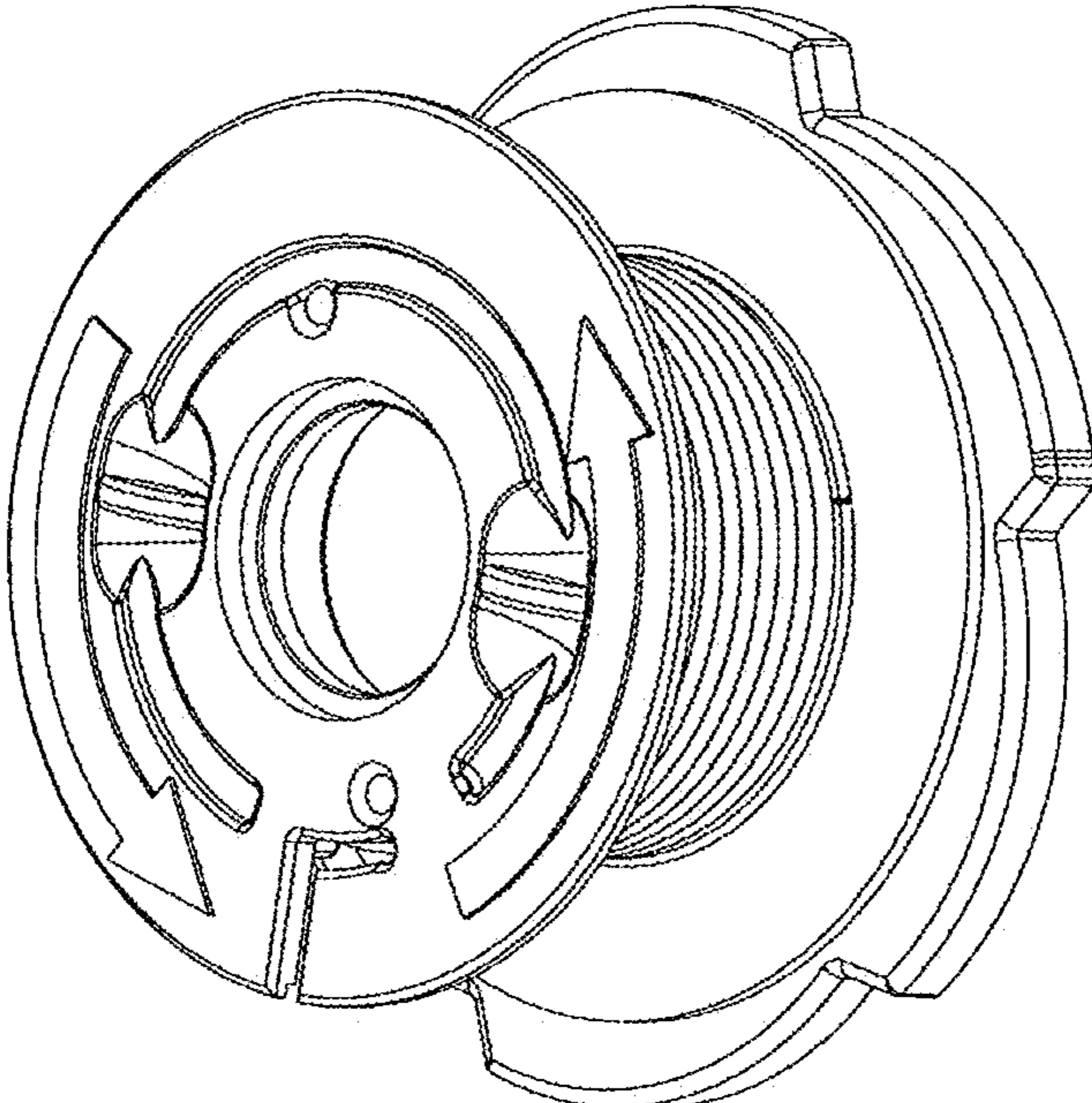


FIG. 23

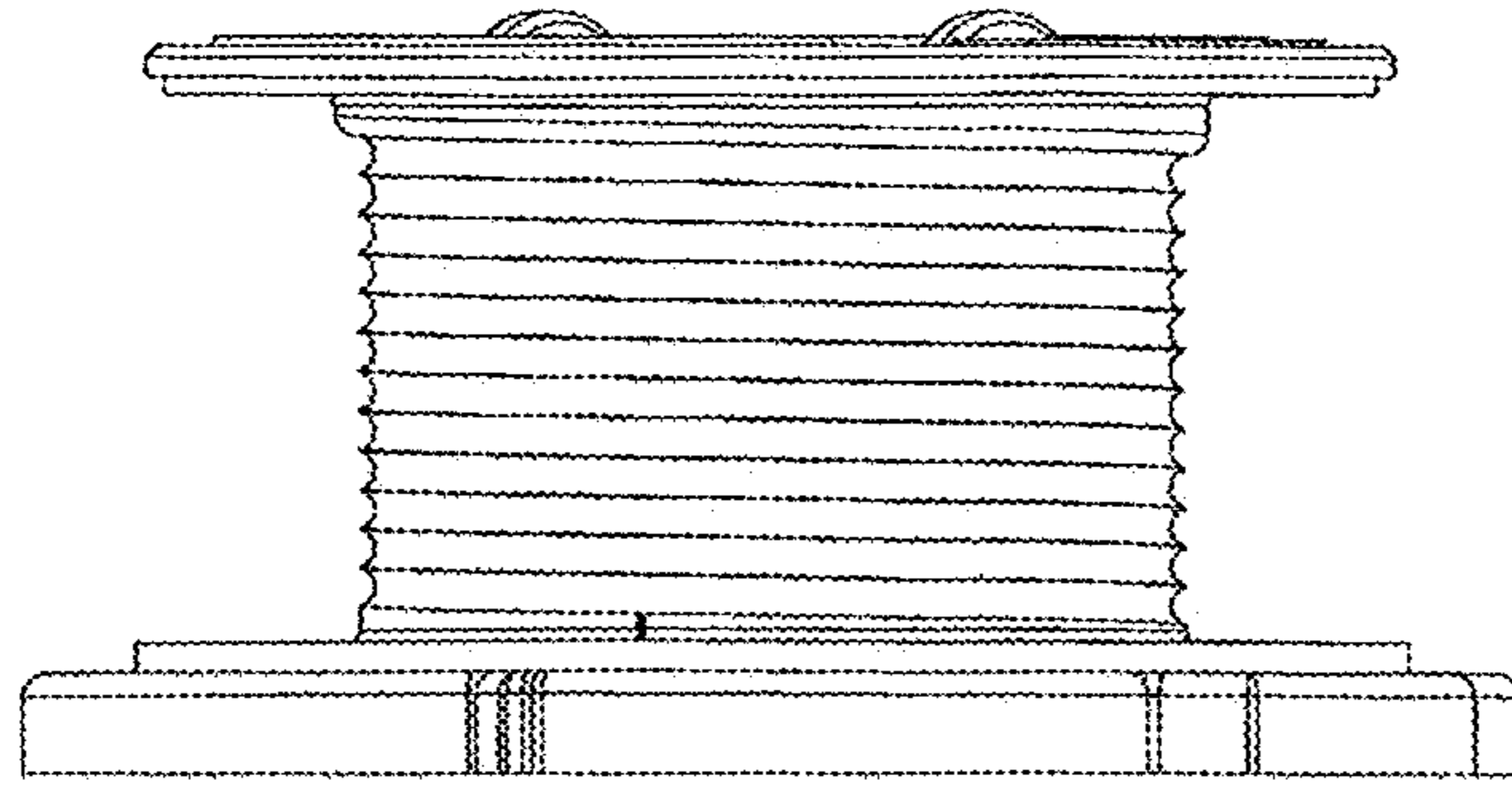


FIG. 24

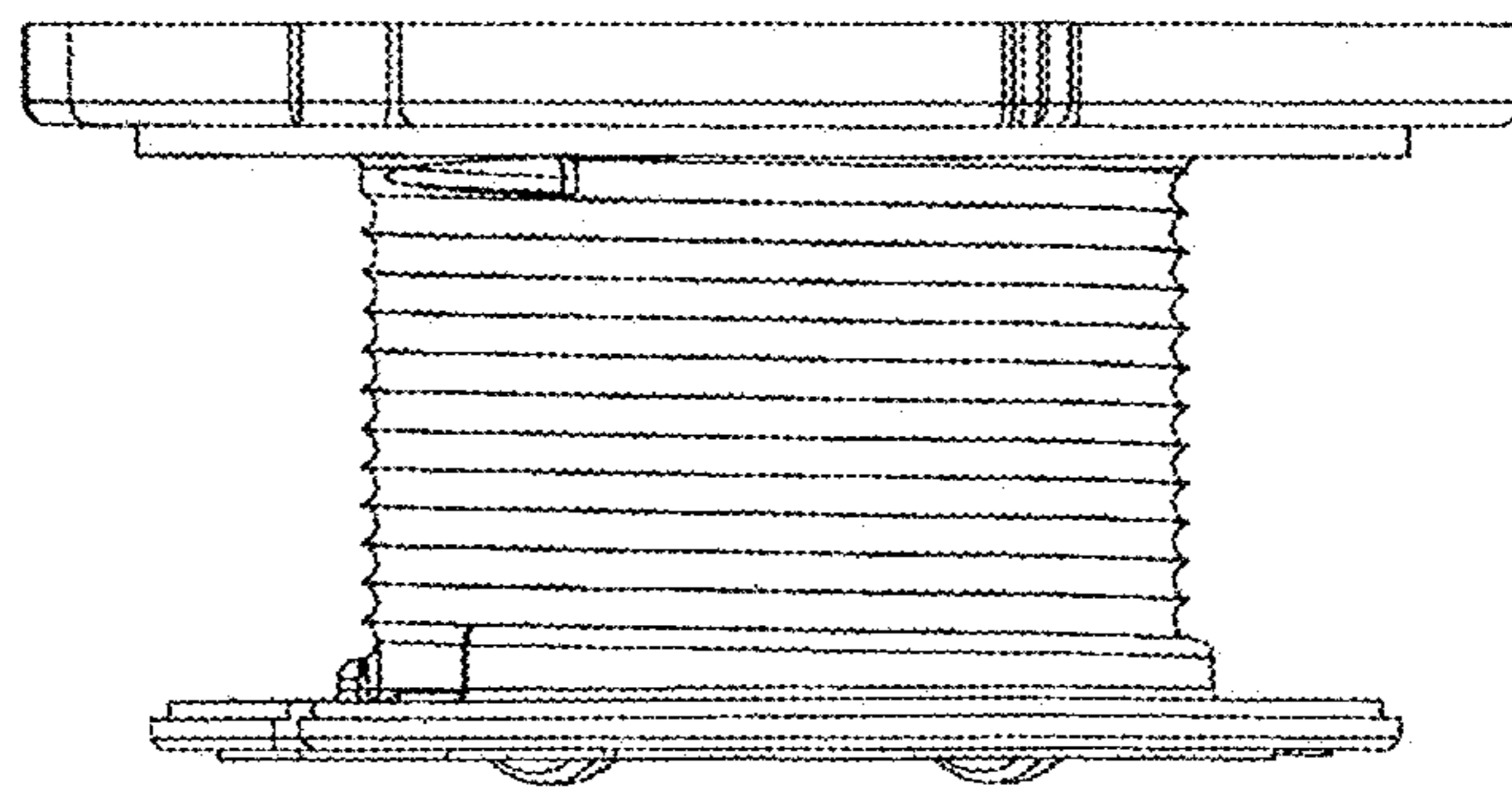


FIG. 25

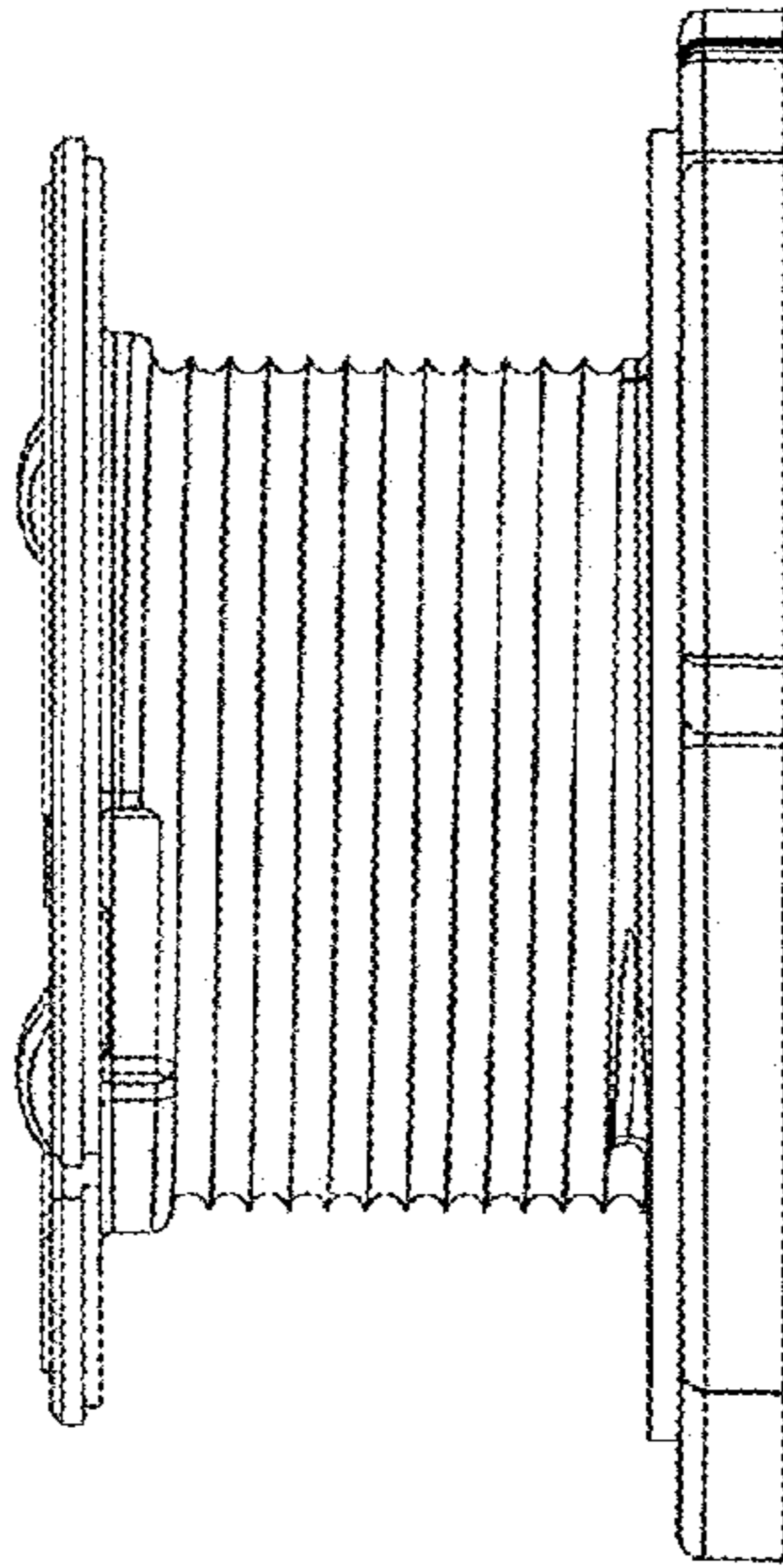


FIG. 26

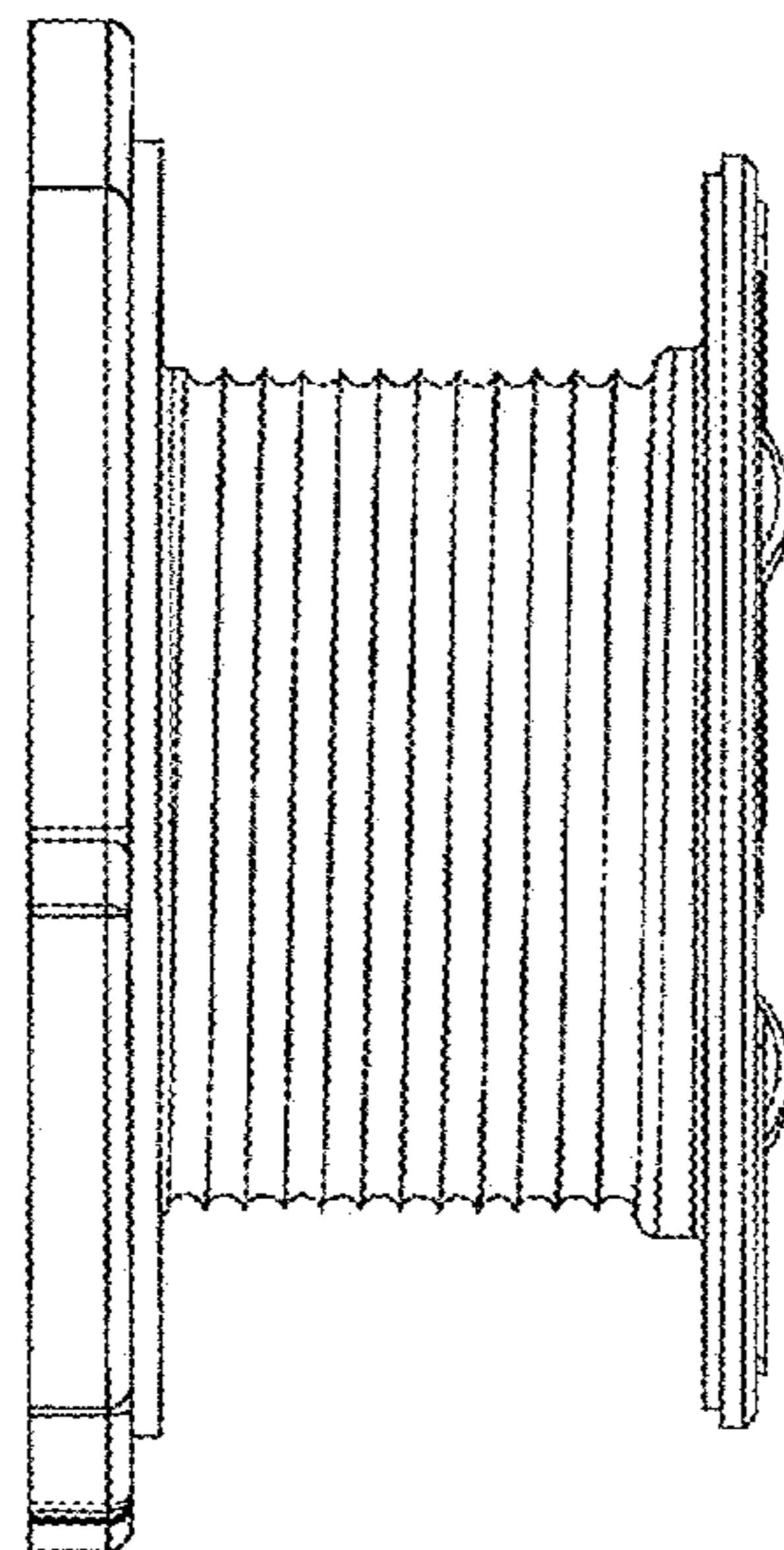


FIG. 27

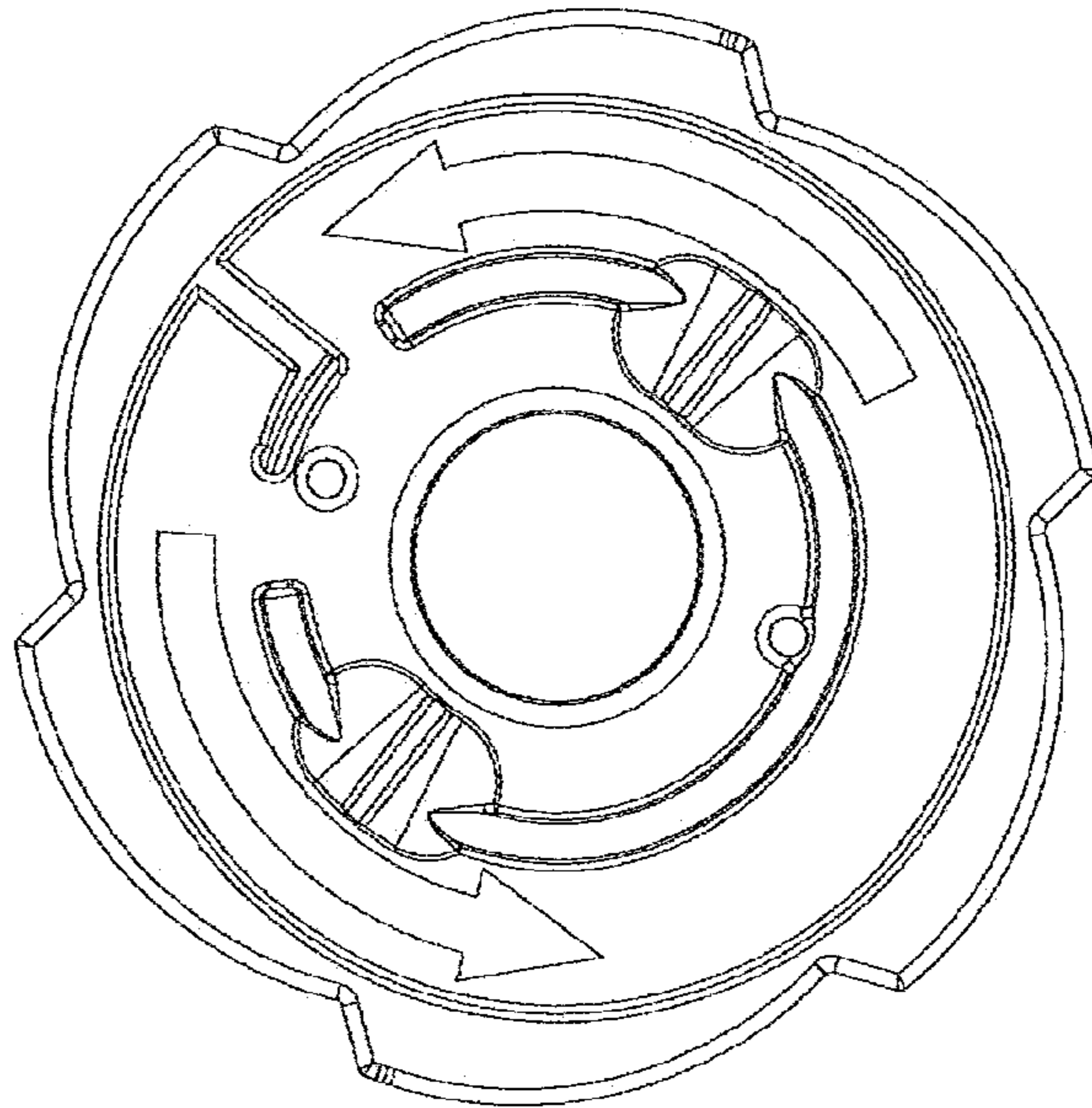


FIG. 28

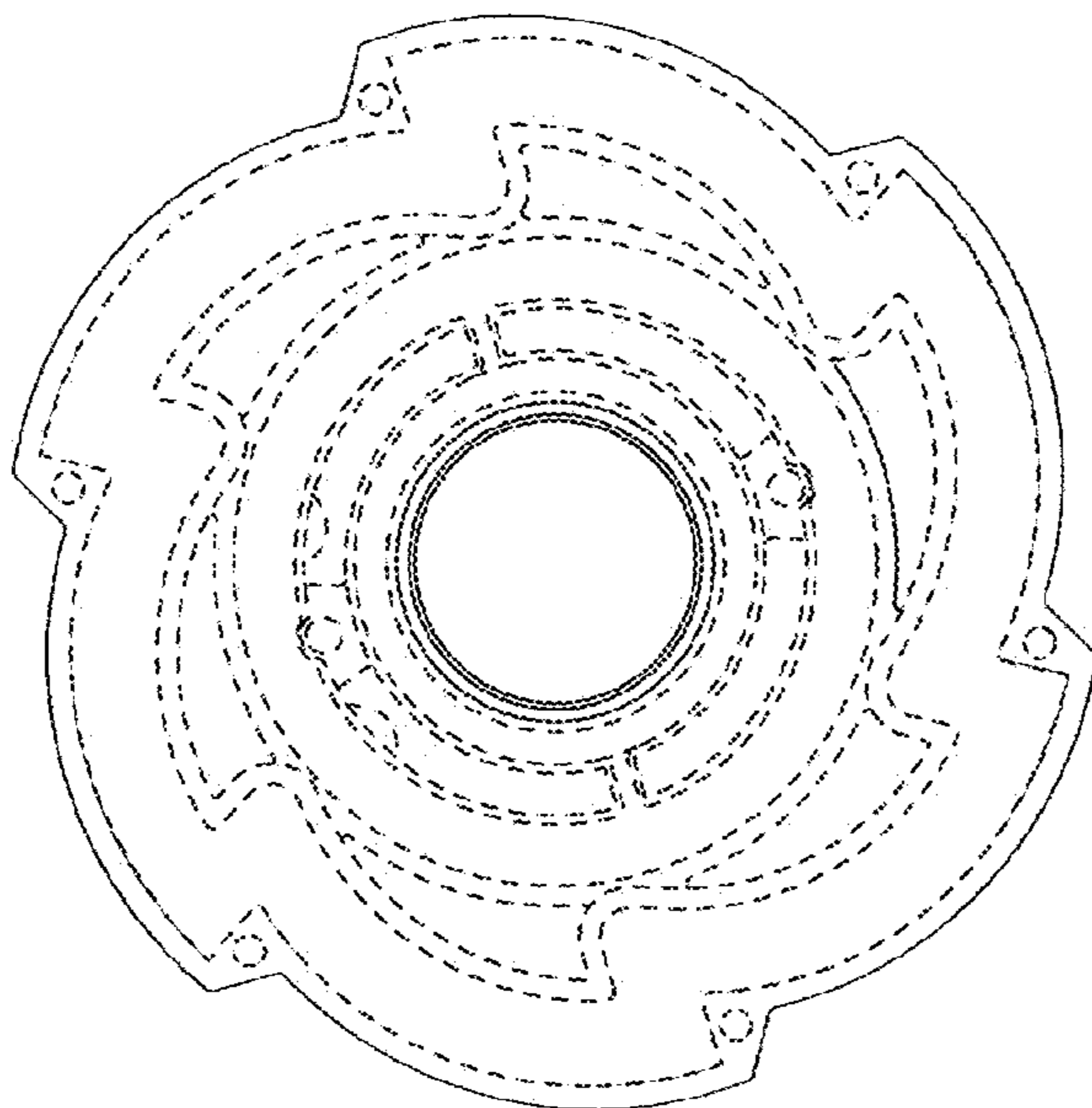


FIG. 29