



US00D717137S

(12) **United States Design Patent**
Baxter

(10) **Patent No.:** **US D717,137 S**

(45) **Date of Patent:** **** Nov. 11, 2014**

(54) **STRING TRIMMER**

(71) Applicant: **Black & Decker Inc.**, Newark, DE (US)

(72) Inventor: **Mark Baxter**, Tyne & Wear (GB)

(73) Assignee: **Black & Decker Inc.**, Newark, DE (US)

(**) Term: **14 Years**

(21) Appl. No.: **29/452,877**

(22) Filed: **Apr. 23, 2013**

(51) **LOC (10) Cl.** **08-01**

(52) **U.S. Cl.**
USPC **D8/8**

(58) **Field of Classification Search**

CPC A01D 34/416; A01D 34/4166; A01D
34/4167; A01D 34/84; A01D 34/90
USPC D8/7-9; D15/17, 1; 30/276, 208-210,
30/228, 282-383; 56/12.7, 233-234
See application file for complete search history.

(56) **References Cited**

U.S. PATENT DOCUMENTS

D303,671 S * 9/1989 Kiyooka et al. D8/8
6,658,741 B2 * 12/2003 Paluszek 30/276

D582,224 S * 12/2008 Bochmann et al. D8/8
D625,972 S * 10/2010 Sweeney D8/8
D656,371 S * 3/2012 Sweeney D8/8
D675,074 S * 1/2013 Baxter D8/8

* cited by examiner

Primary Examiner — Sheryl Lane

(74) *Attorney, Agent, or Firm* — John Yun

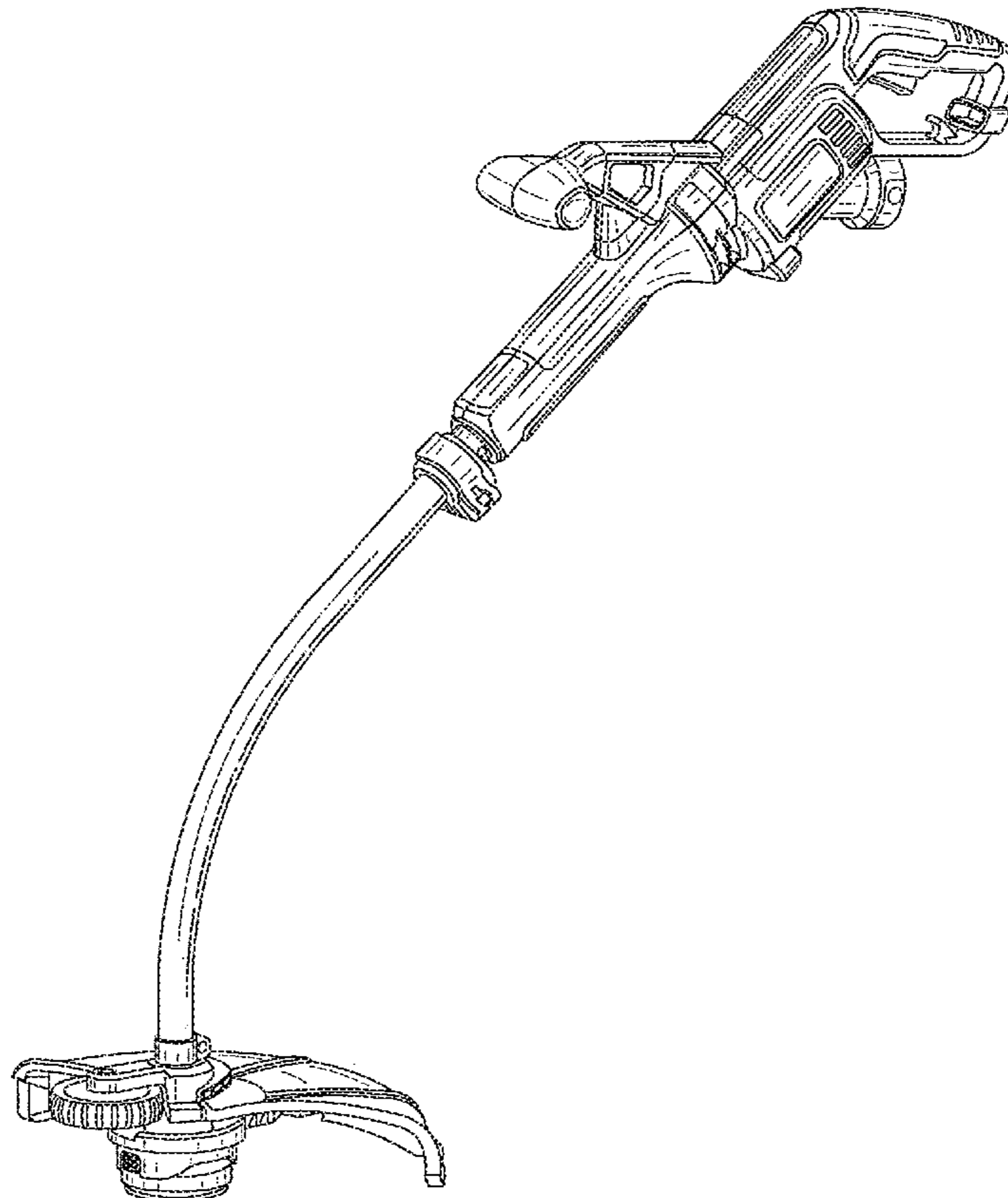
(57) **CLAIM**

The ornamental design for a string trimmer, as shown and described.

DESCRIPTION

FIG. 1 is a perspective view of a string trimmer showing my new design;
FIG. 2 is a left side view thereof
FIG. 3 is a right side view thereof;
FIG. 4 is a front view thereof;
FIG. 5 is a rear view thereof;
FIG. 6 is a top plan view thereof; and,
FIG. 7 is a bottom plan view thereof.
The broken lines represent portions of the article and form no part of the claimed design.

1 Claim, 5 Drawing Sheets



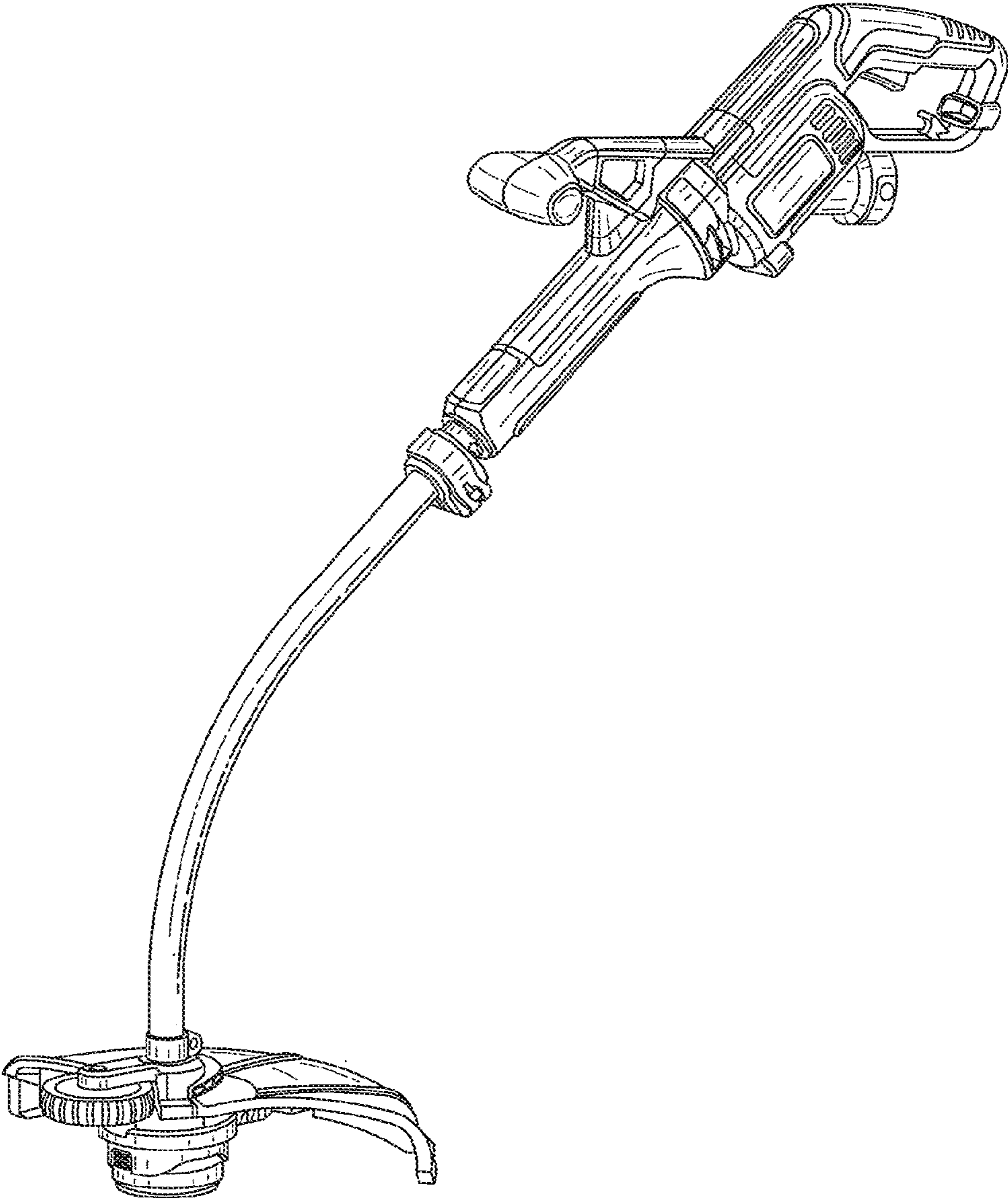


FIG. 1

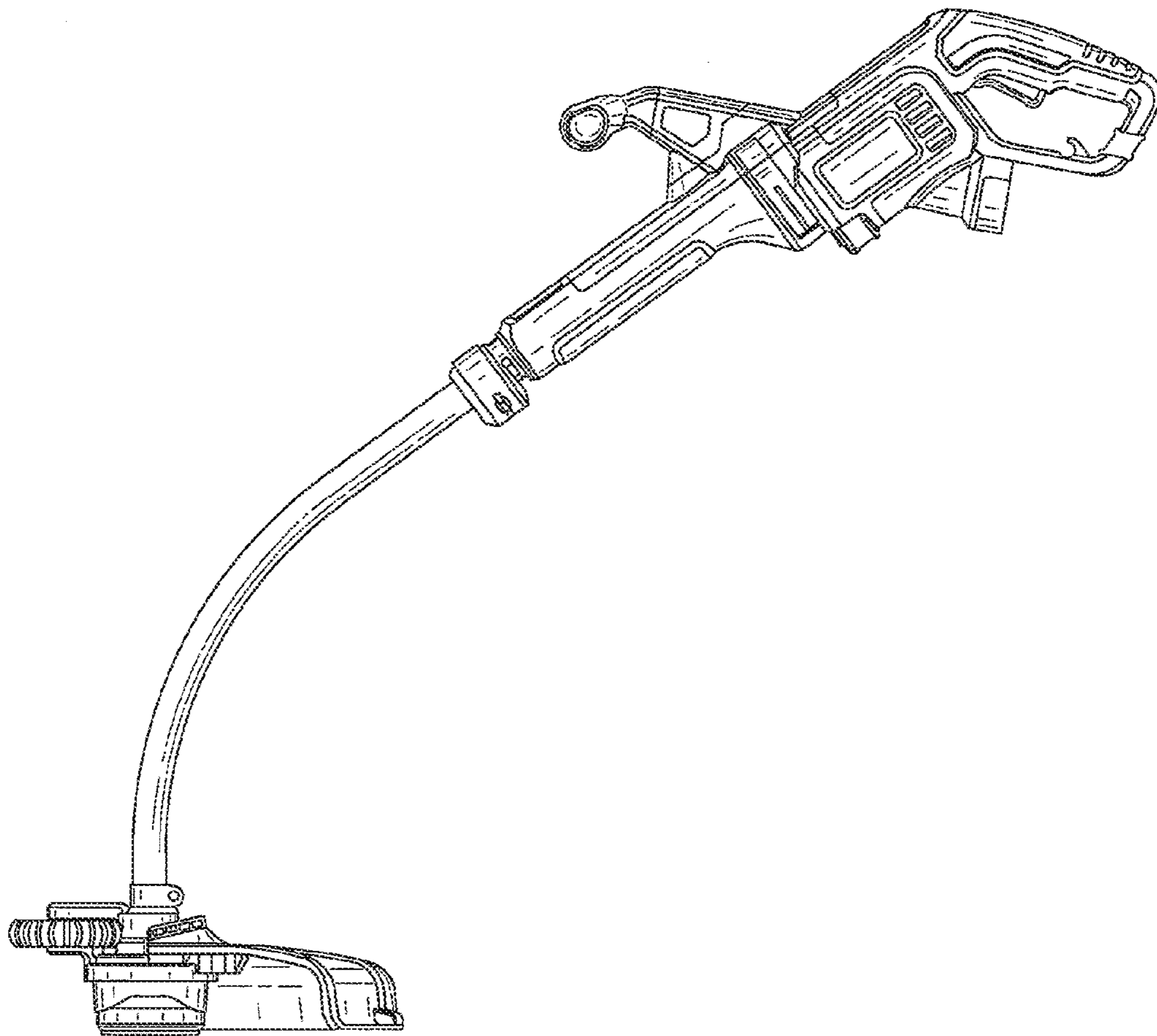


FIG. 2

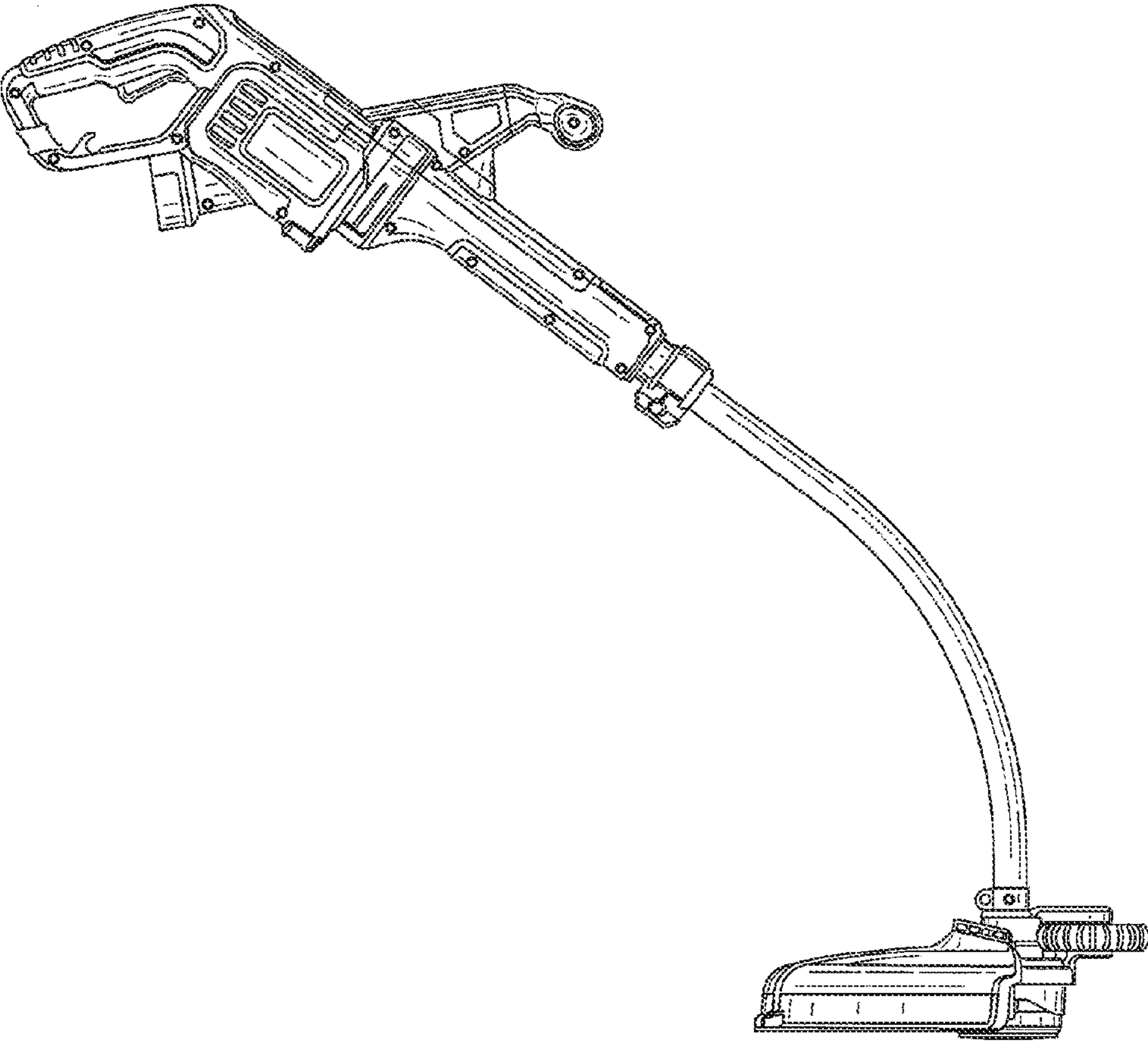


FIG. 3

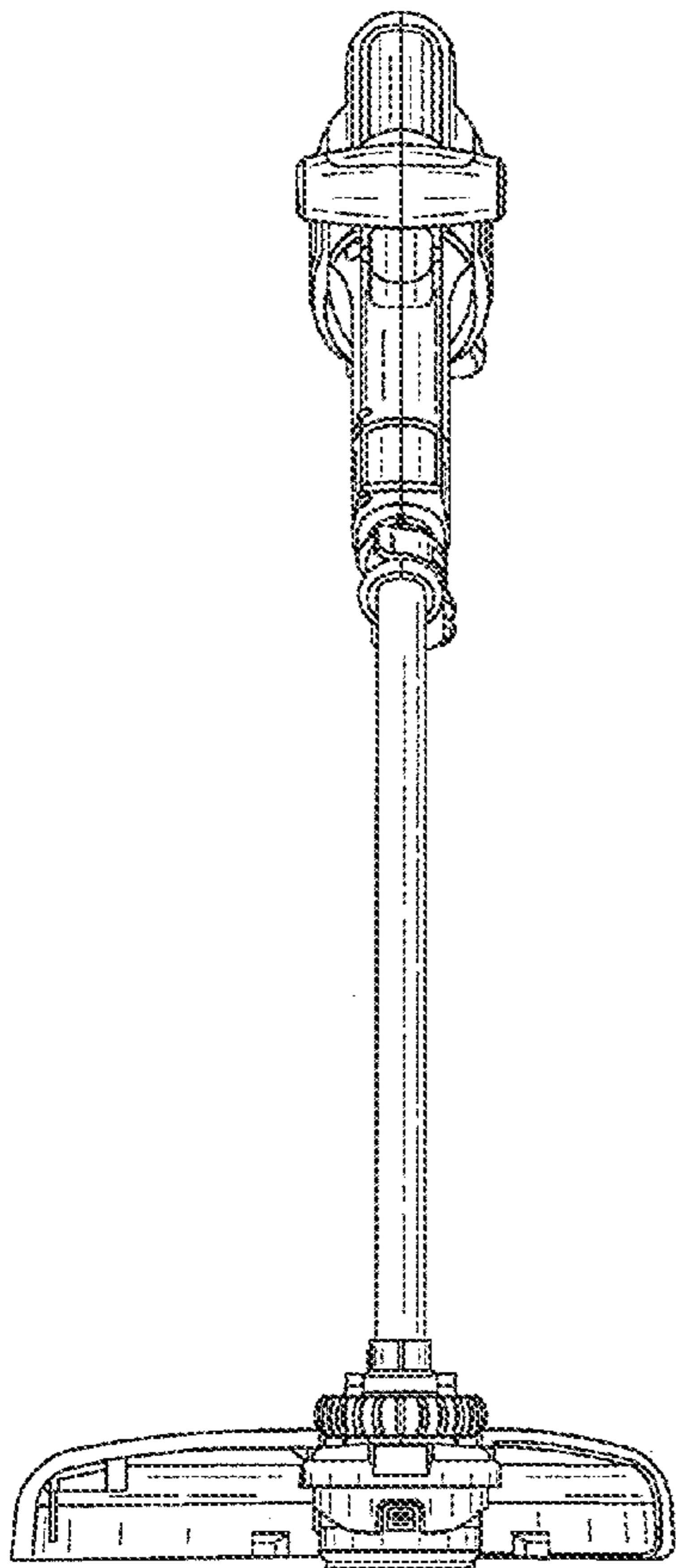


FIG. 4

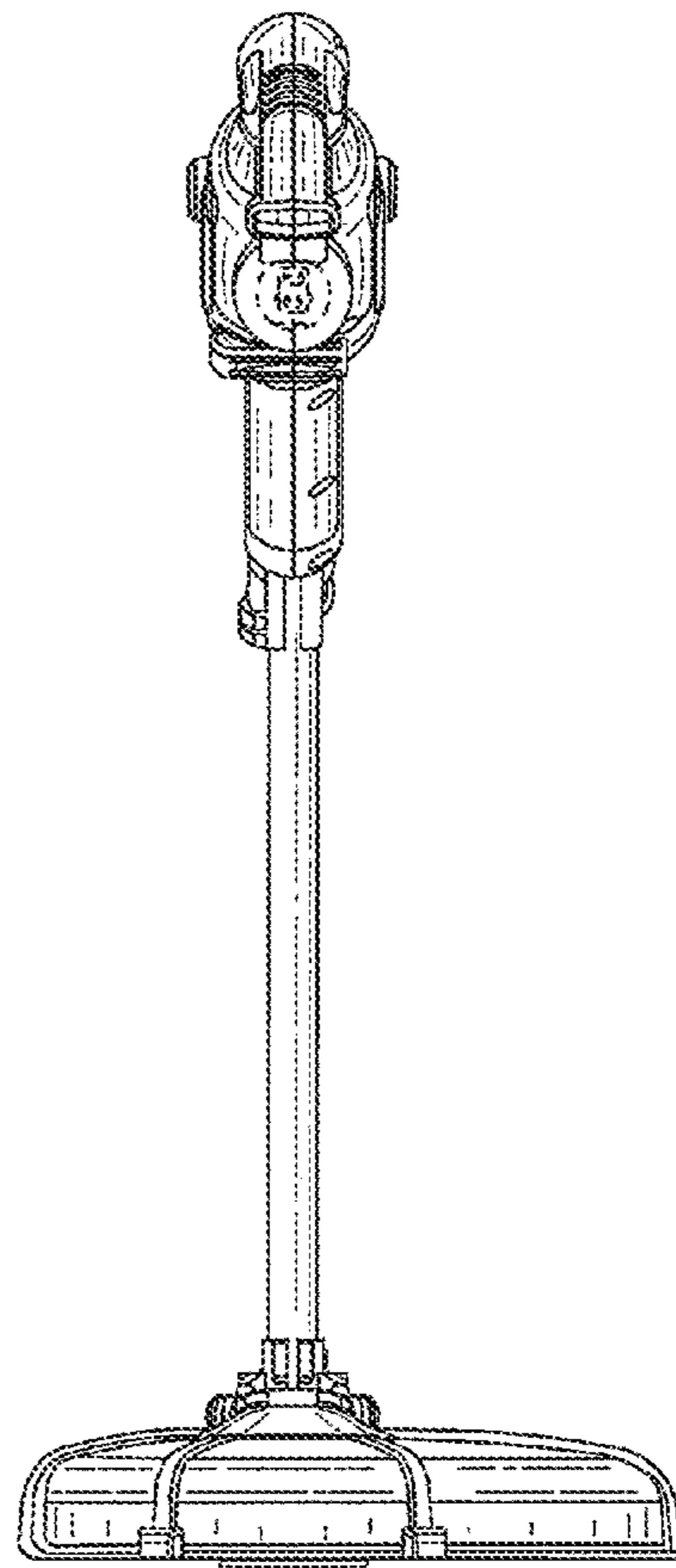


FIG. 5

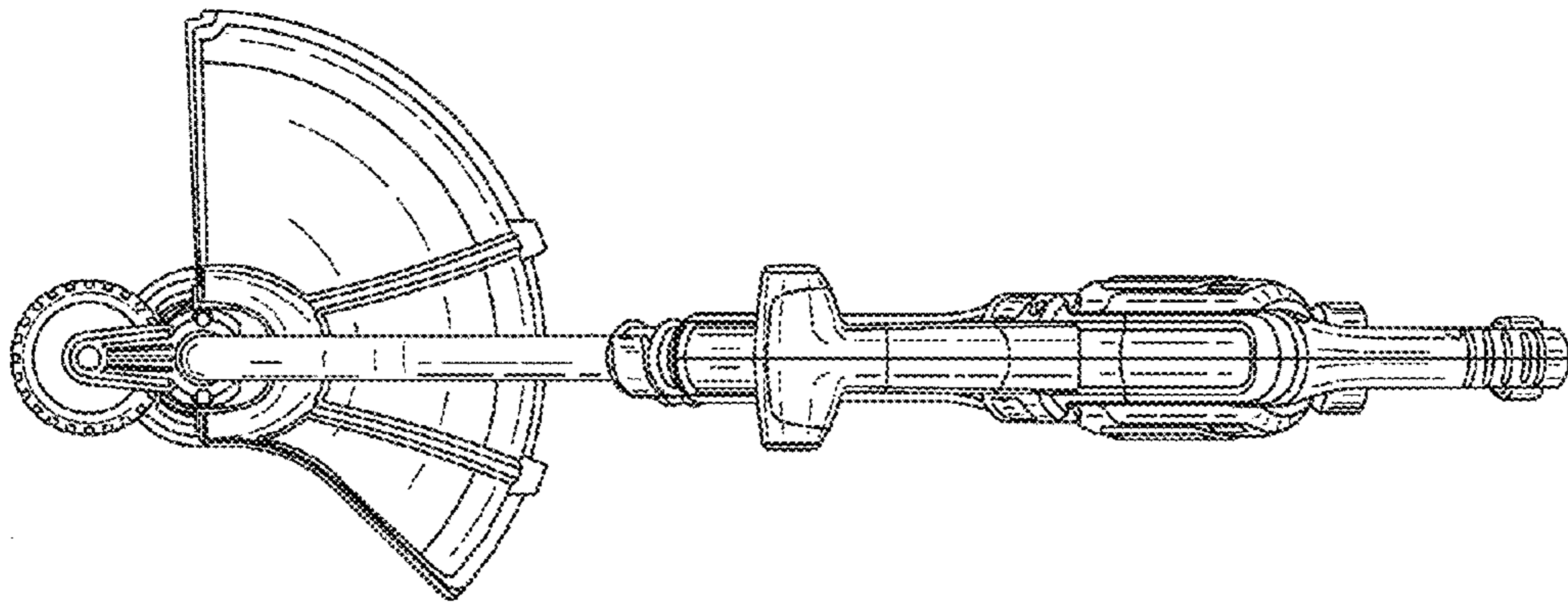


FIG. 6

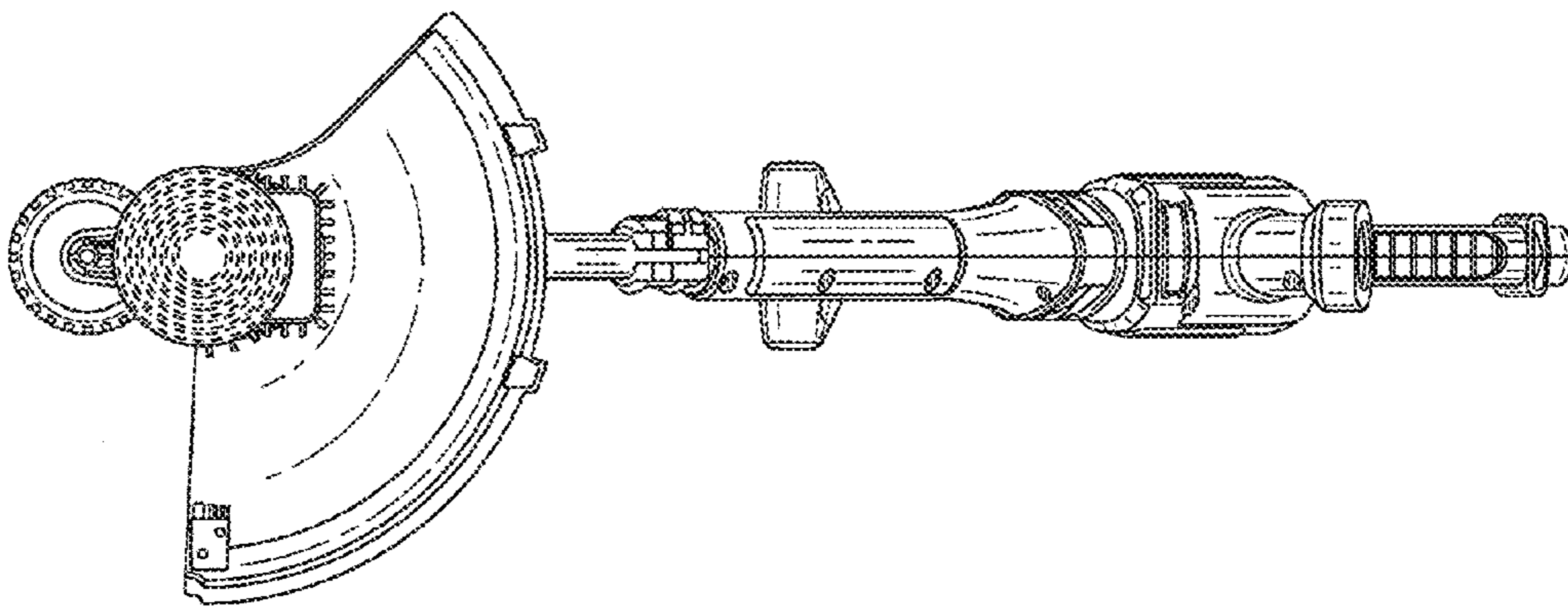


FIG. 7