

US00D717136S

(12) **United States Design Patent**
Baxter

(10) **Patent No.:** **US D717,136 S**

(45) **Date of Patent:** **** Nov. 11, 2014**

(54) **STRING TRIMMER CUTTING HEAD CAP**

(71) Applicant: **Black & Decker Inc.**, Newark (DE)

(72) Inventor: **Mark Baxter**, Tyne & Wear (GB)

(73) Assignee: **Black & Decker Inc.**, Newark, DE (US)

(**) Term: **14 Years**

(21) Appl. No.: **29/448,370**

(22) Filed: **Mar. 12, 2013**

(30) **Foreign Application Priority Data**

Oct. 26, 2012 (EM) 001348866

(51) **LOC (10) Cl.** **08-01**

(52) **U.S. Cl.**
USPC **D8/8**

(58) **Field of Classification Search**

CPC A01D 34/416; A01D 34/4166; A01D
34/4167; A01D 34/84; A01D 34/90

USPC D8/7-9; D15/17, 1; 30/276, 208-210,
30/228, 282-383; 56/12.7, 233-234

See application file for complete search history.

(56) **References Cited**

U.S. PATENT DOCUMENTS

D346,727 S * 5/1994 Eriksson D8/8
D362,600 S * 9/1995 Kiyooka et al. D8/8
D376,741 S * 12/1996 Sadlowski, Sr. D8/8
D460,904 S * 7/2002 Riley et al. D8/8
D465,975 S * 11/2002 Iacona D8/8
D479,961 S * 9/2003 Iacona D8/8

D482,581 S * 11/2003 Nystrom D8/8
D482,941 S * 12/2003 Nystrom D8/8
D502,368 S * 3/2005 Nystrom et al. D8/8
D560,107 S * 1/2008 Grey D8/8
D584,581 S * 1/2009 Bradford D8/8
D597,804 S * 8/2009 Alliss D8/8
D598,254 S * 8/2009 Alliss D8/8
D598,255 S * 8/2009 Alliss D8/8
D630,068 S * 1/2011 Proulx D8/8
7,882,642 B2 * 2/2011 Proulx 30/276
D653,920 S * 2/2012 Cigarini D8/8
8,510,960 B2 * 8/2013 Pfaltzgraff et al. 30/276
8,567,073 B2 * 10/2013 Proulx 30/276

* cited by examiner

Primary Examiner — Sheryl Lane

(74) *Attorney, Agent, or Firm* — John Yun

(57) **CLAIM**

The ornamental design for a string trimmer cutting head cap, as shown and described.

DESCRIPTION

FIG. 1 is a top perspective view of a string trimmer cutting head cap showing my new design;

FIG. 2 is a front view thereof

FIG. 3 is a rear view thereof;

FIG. 4 is a right view thereof;

FIG. 5 is a left view thereof;

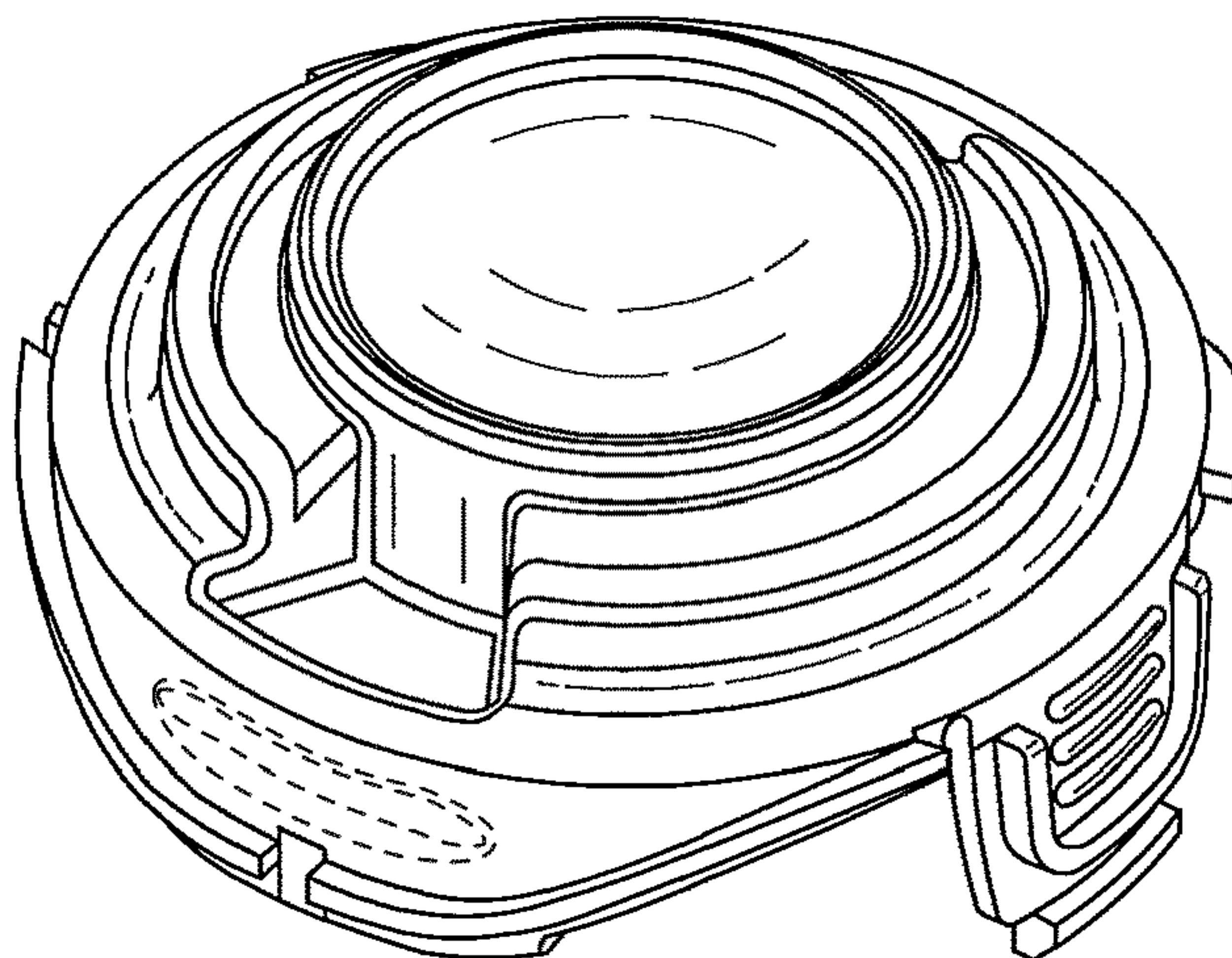
FIG. 6 is a top plan thereof;

FIG. 7 is a bottom plan view thereof; and,

FIG. 8 is bottom perspective view thereof.

The broken lines and areas within the broken lines represent portions of the article and form no part of the claimed design.

1 Claim, 5 Drawing Sheets



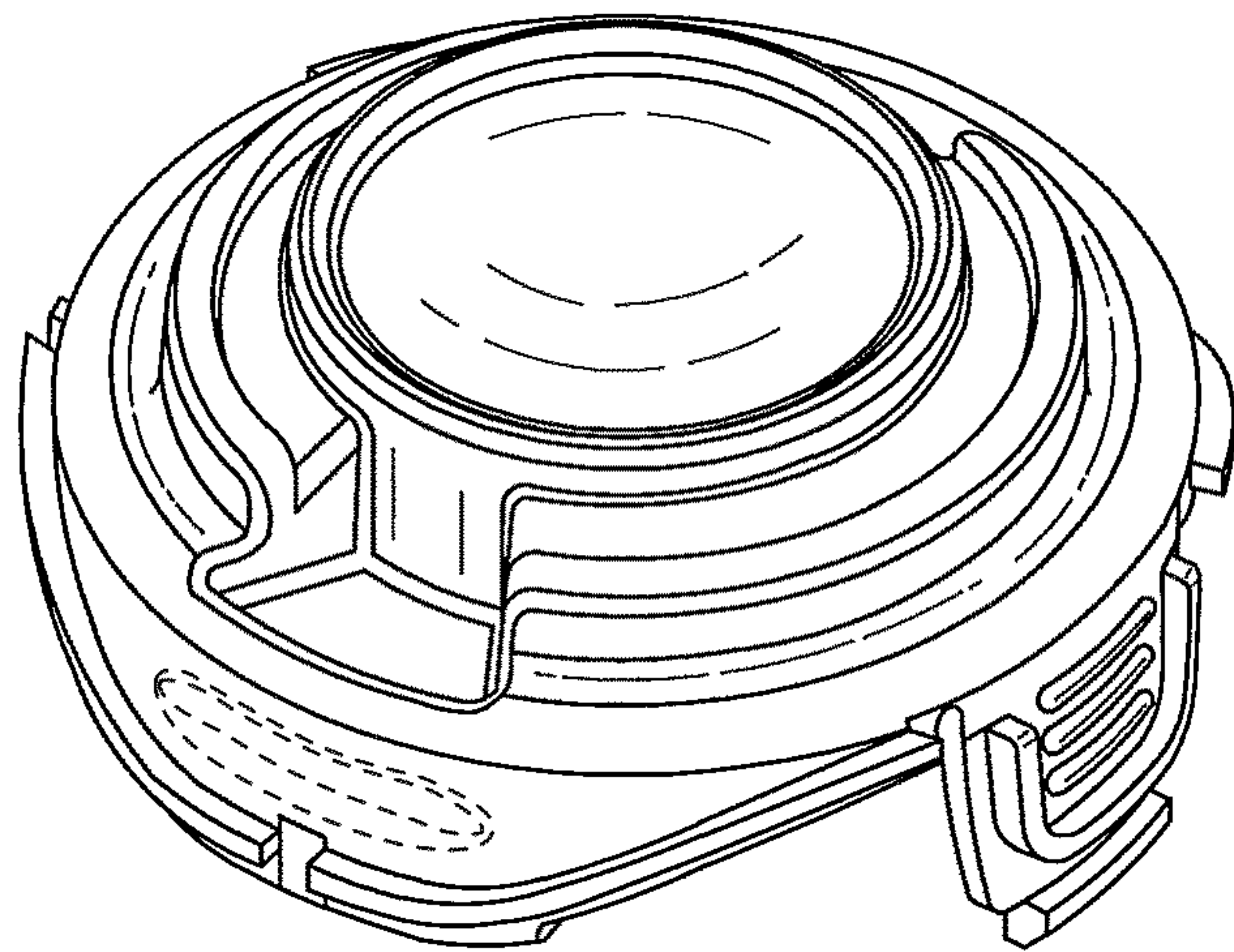


FIG. 1

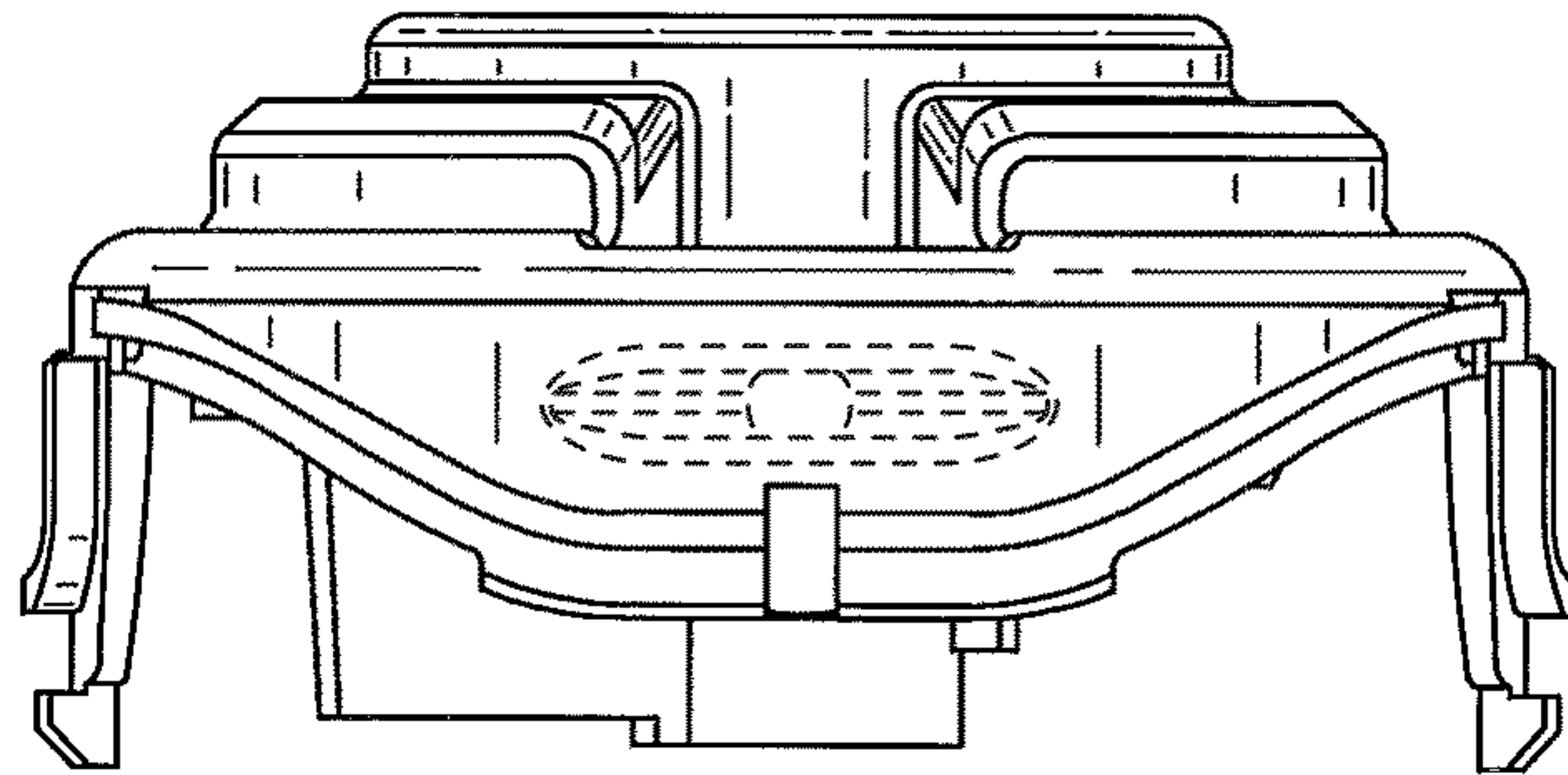


FIG. 2

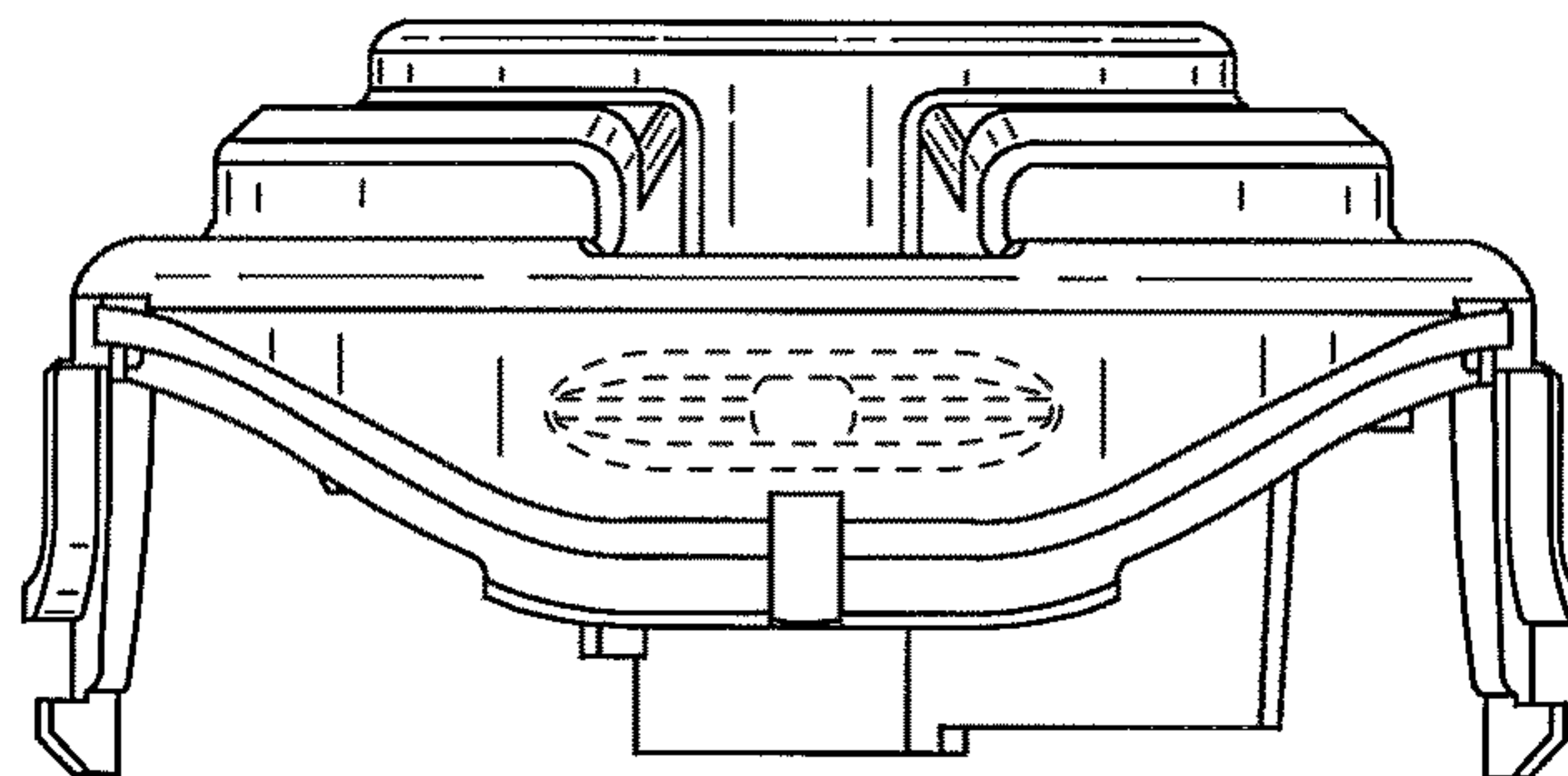


FIG. 3

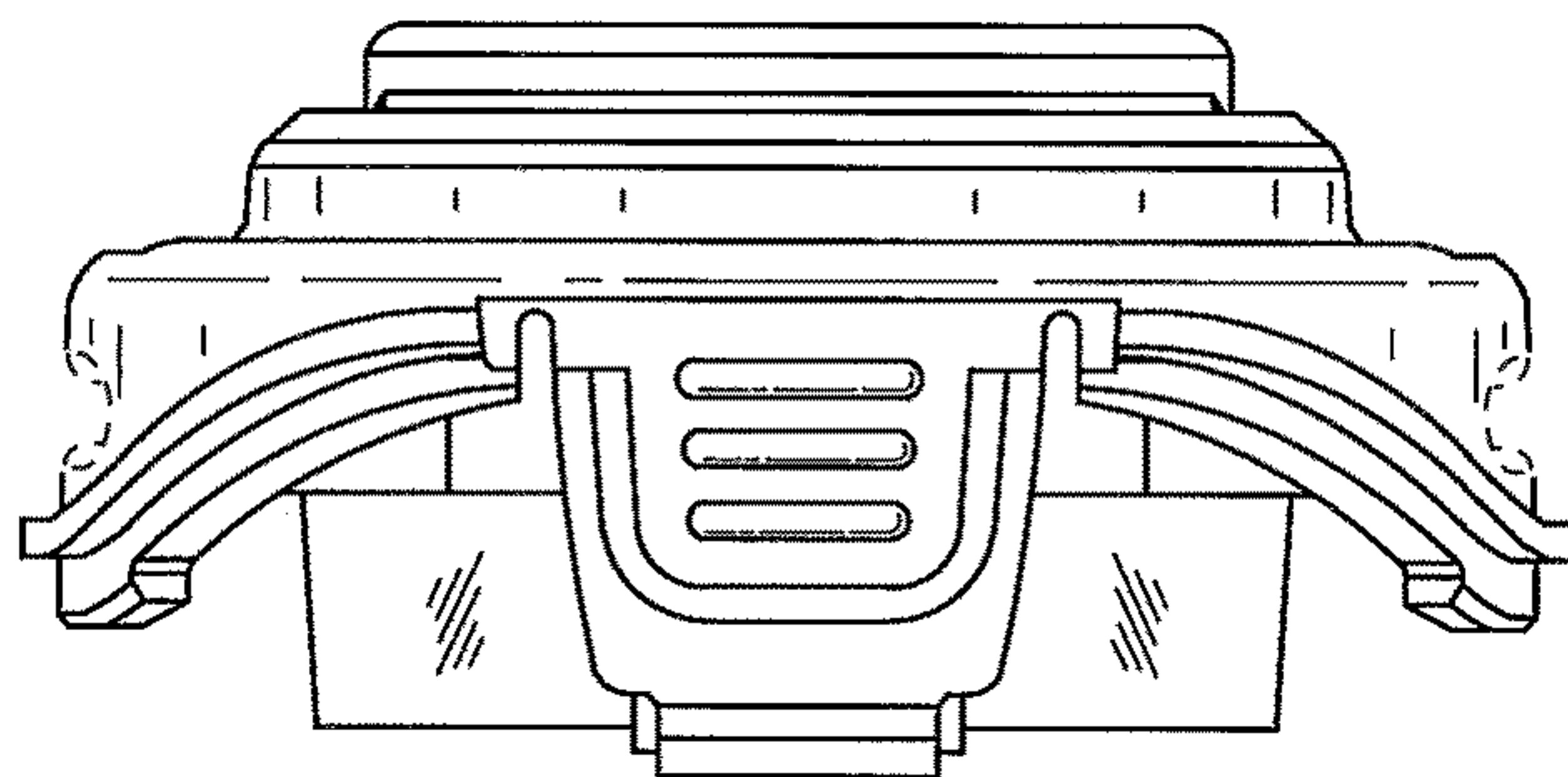


FIG. 4

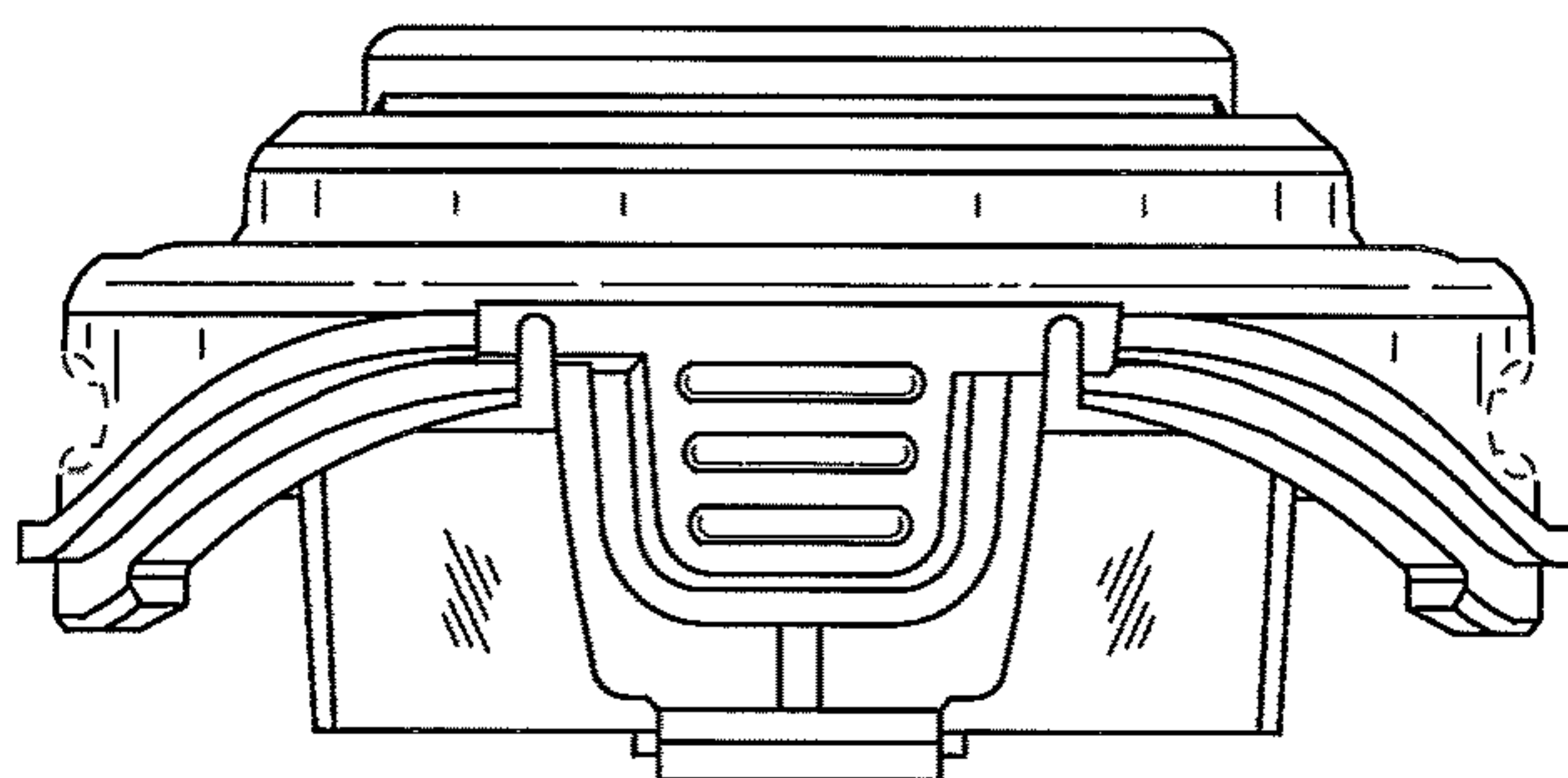


FIG. 5

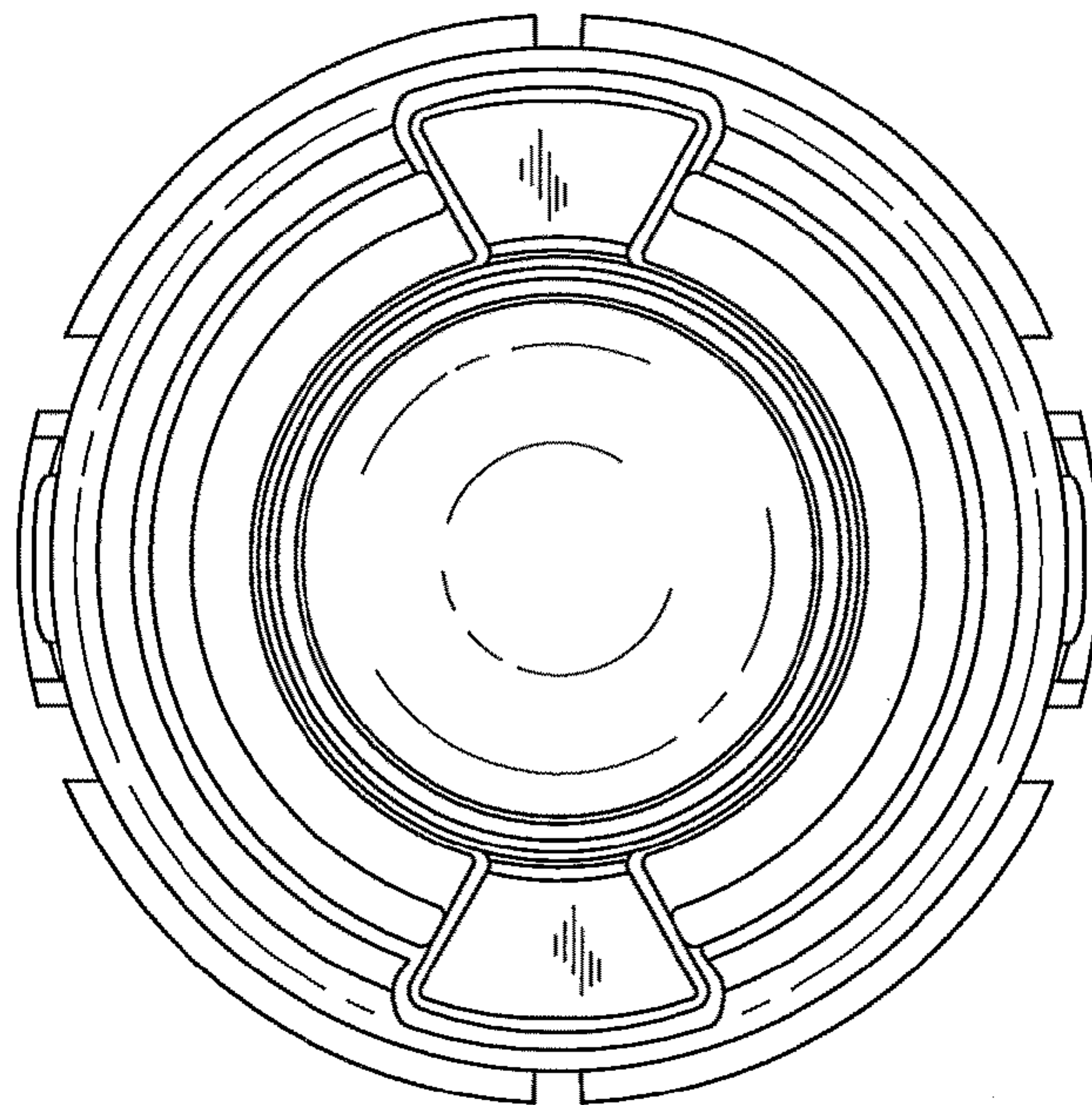


FIG. 6

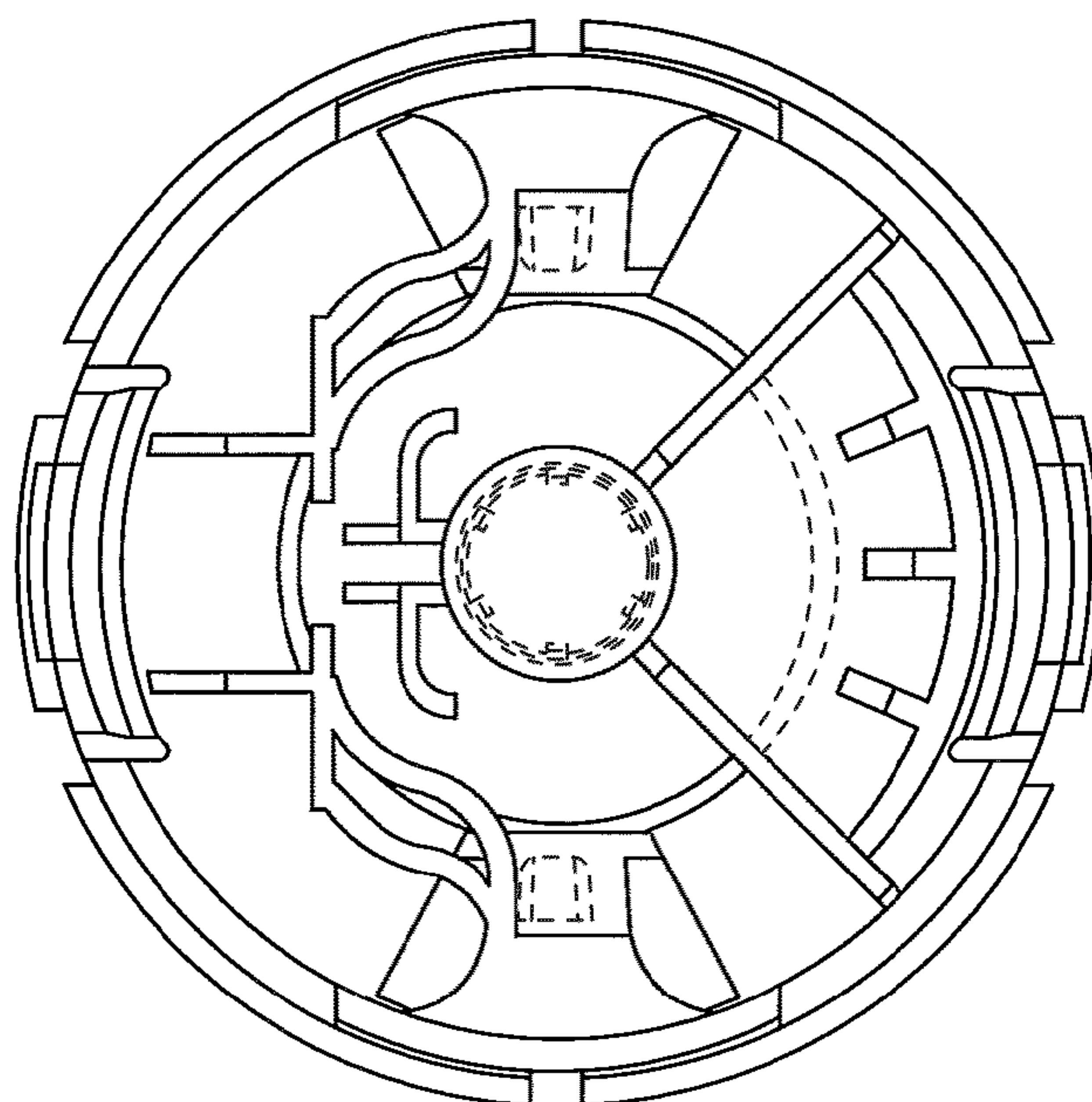


FIG. 7

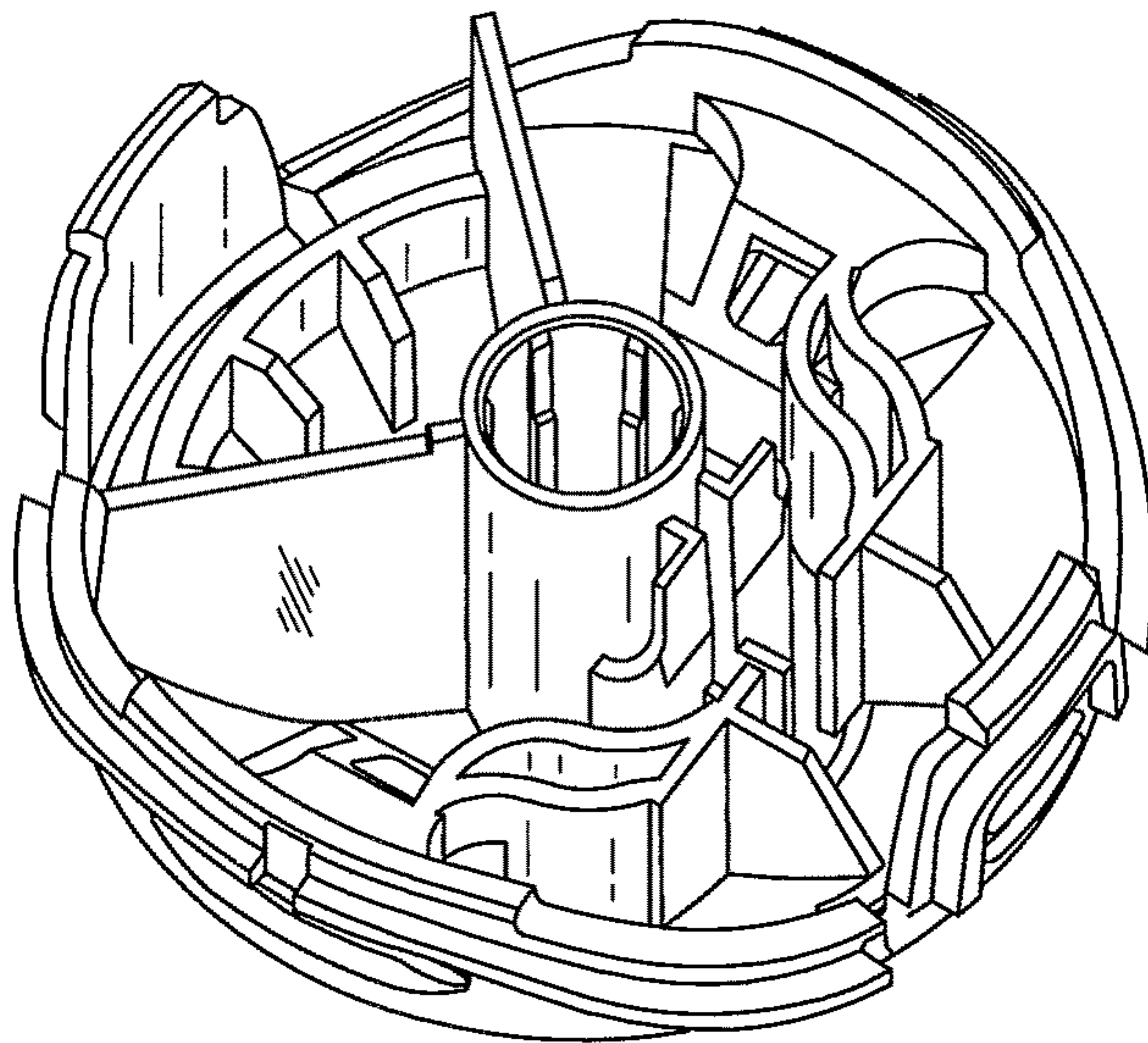


FIG. 8